



US00D926488S

(12) **United States Design Patent**  
**Savchenko**

(10) **Patent No.:** **US D926,488 S**

(45) **Date of Patent:** **\*\* Aug. 3, 2021**

(54) **FOLDABLE CHAIR**

(71) Applicant: **DESMALTER**, Paris (FR)

(72) Inventor: **Fedor George Savchenko**, Paris (FR)

(\*\*) Term: **15 Years**

(21) Appl. No.: **35/508,940**

(22) Filed: **Mar. 3, 2020**

(80) **Hague Agreement Data**

Int. Filing Date: **Mar. 3, 2020**

Int. Reg. No.: **DM/206671**

Int. Reg. Date: **Mar. 3, 2020**

Int. Reg. Pub. Date: **Apr. 3, 2020**

(51) **LOC (13) Cl.** ..... **06-01**

(52) **U.S. Cl.**  
USPC ..... **D6/368**

(58) **Field of Classification Search**

USPC ..... D6/79, 335, 367, 368, 374, 375, 3

CPC .. A47C 1/14; A47C 1/143; A47C 1/16; A47C

4/00; A47C 4/02; A47C 4/04; A47C 4/18;

A47C 4/24; A47C 7/00; A47C 7/002;

A47C 7/02; A47C 7/04; A47C 7/16;

A47C 7/18; A47C 7/20; A47C 7/24;

A47C 7/36; A47C 7/40

See application file for complete search history.

(56) **References Cited**

**U.S. PATENT DOCUMENTS**

2,573,915 A \* 11/1951 Lewis ..... A47C 4/50

248/164

D226,416 S \* 3/1973 Utida ..... D6/368

D246,620 S \* 12/1977 Dranger ..... D6/375  
D288,870 S \* 3/1987 Biscarini ..... D6/368  
D360,082 S \* 7/1995 Tseng ..... D6/368  
D373,475 S \* 9/1996 Sullivan ..... D6/335  
D478,428 S \* 8/2003 Leckey ..... A47C 7/725  
D6/368  
D531,831 S \* 11/2006 Andersson ..... A47C 4/24  
D6/368  
D676,680 S \* 2/2013 Arko ..... D6/334  
2015/0308171 A1 \* 10/2015 Shadley ..... A47C 4/24  
297/445.1  
2019/0290009 A1 \* 9/2019 Murphy ..... A47C 7/725

\* cited by examiner

*Primary Examiner* — Mary Ann Calabrese

(57) **CLAIM**

The ornamental design for foldable chair, as shown and described.

**DESCRIPTION**

1. Foldable chair

1.1 is a front perspective view.

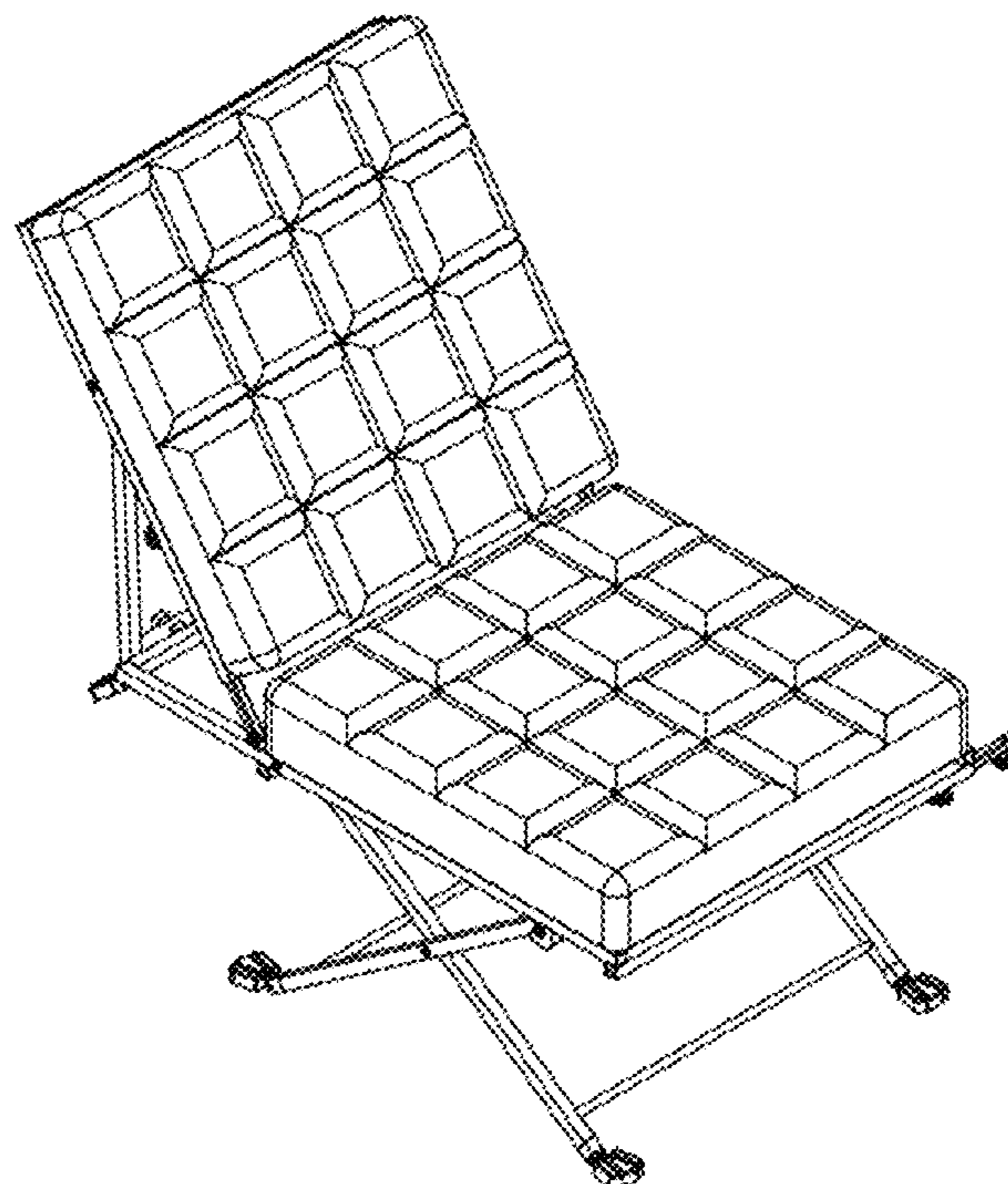
1.2 is a front view.

1.3 is a side view.

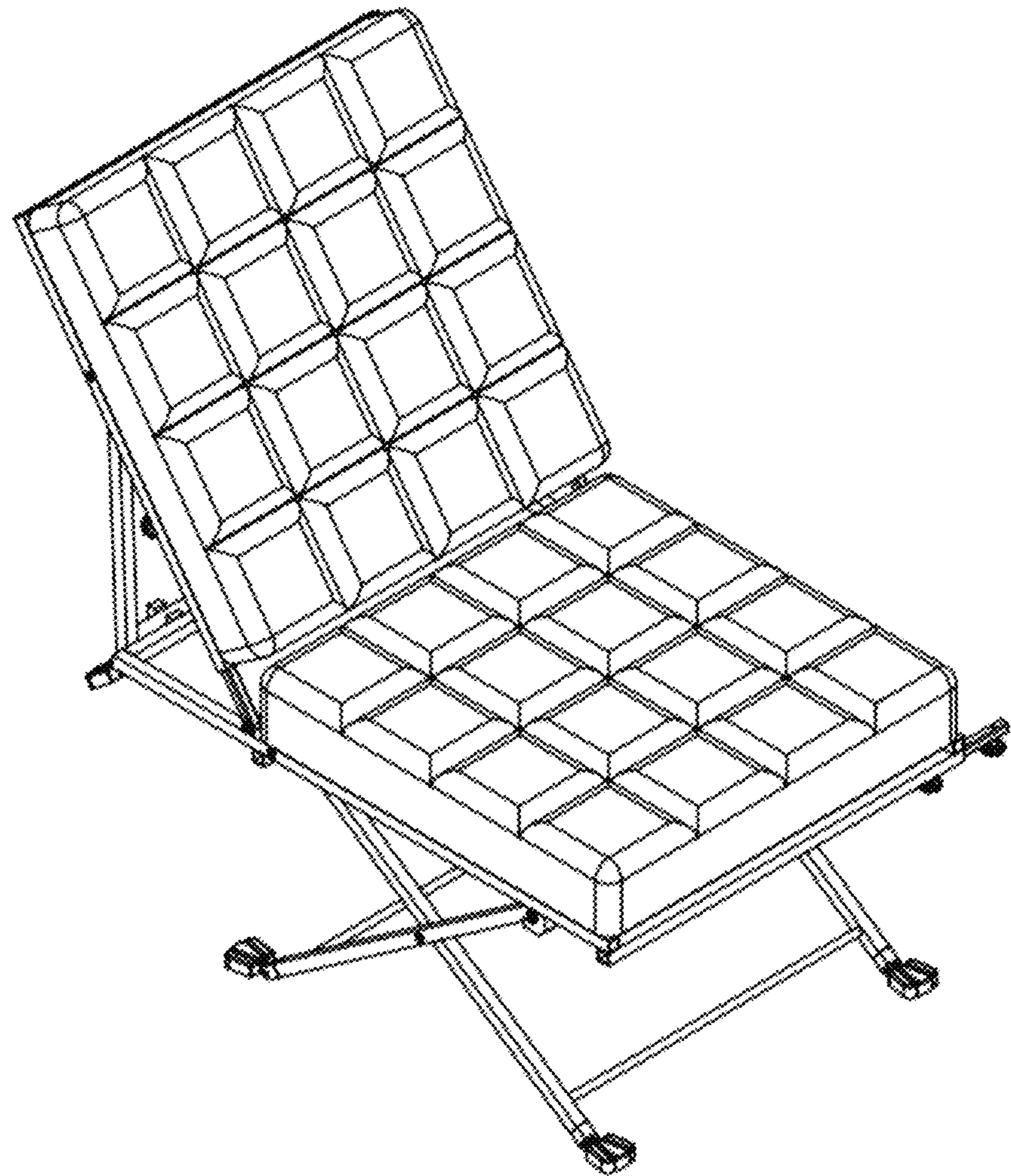
1.4 is a bottom perspective view.

1.5 is a perspective view of the chair in a folded configuration.

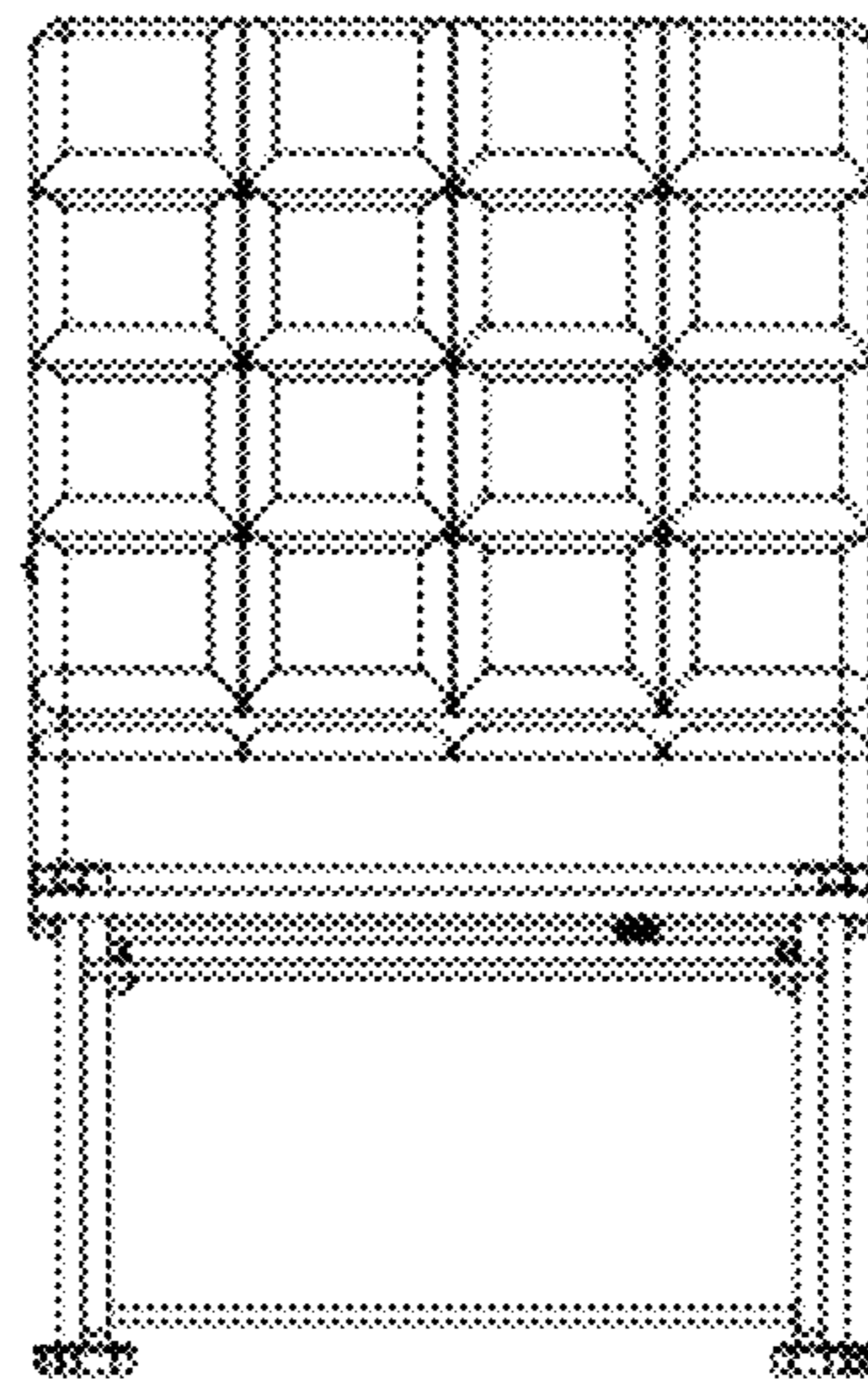
**1 Claim, 5 Drawing Sheets**



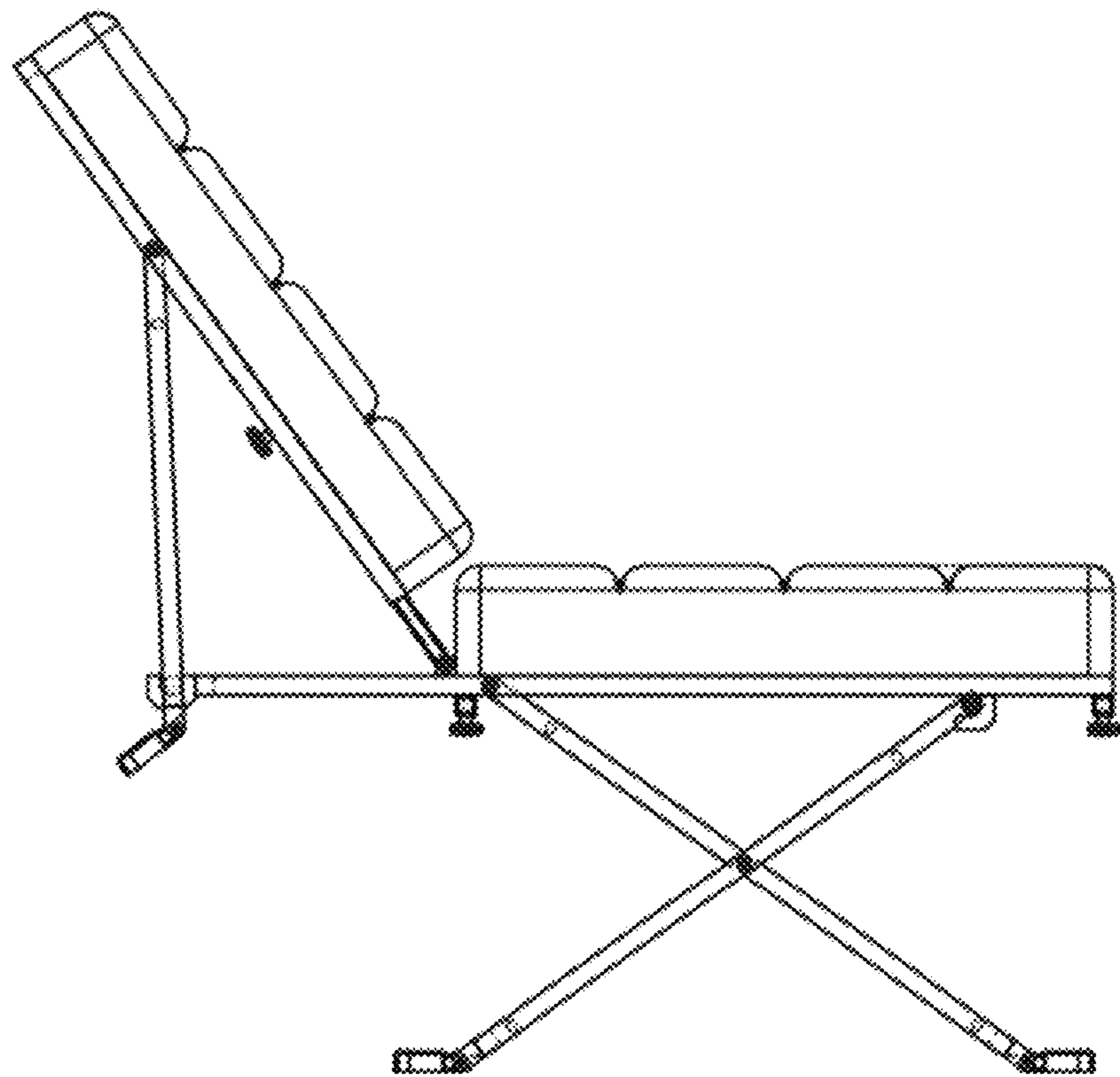
1.1



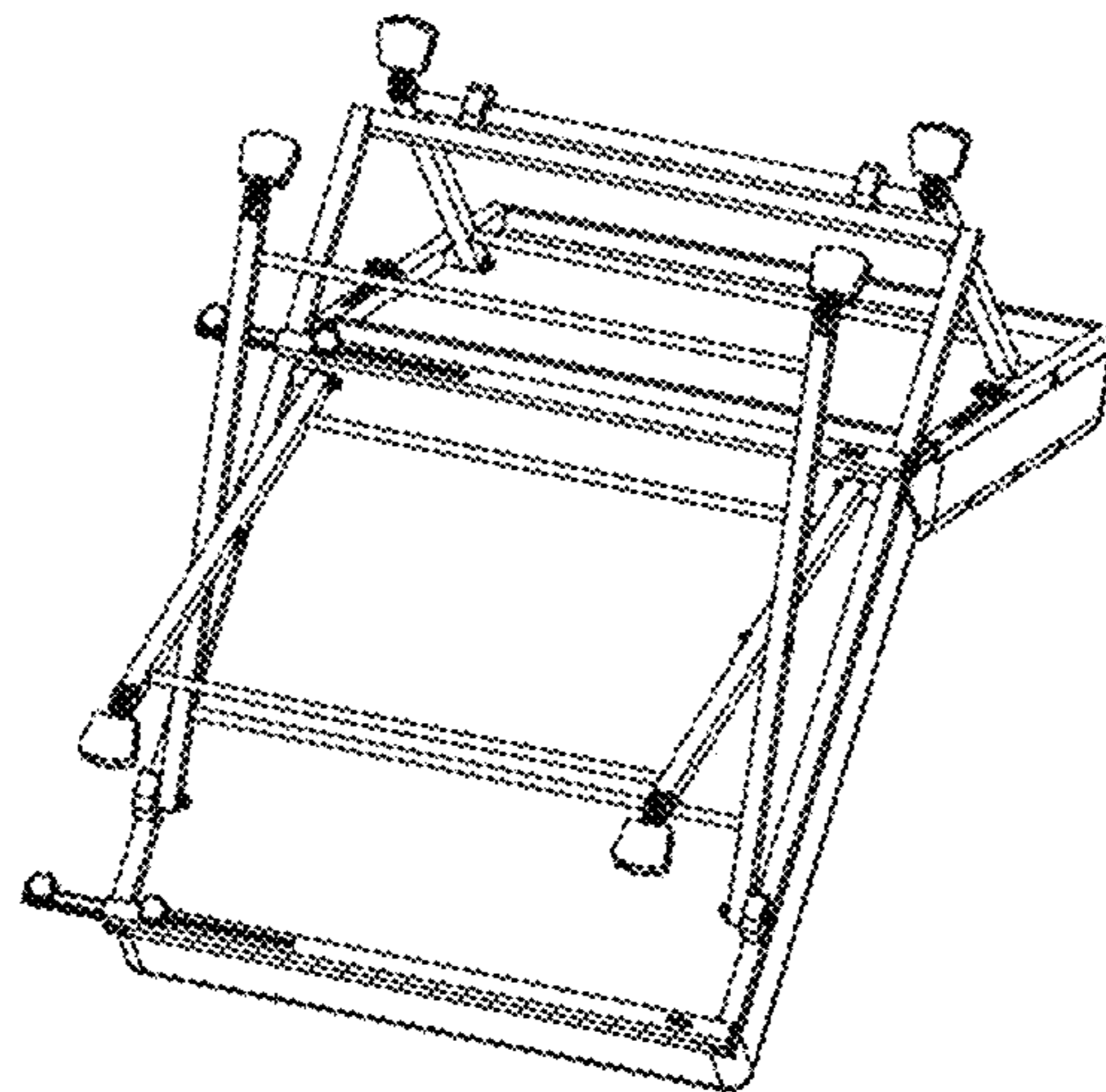
1.2



1.3



1.4



1.5

