



US00D926486S

(12) **United States Design Patent**
Cohen

(10) **Patent No.:** **US D926,486 S**

(45) **Date of Patent:** **** Aug. 3, 2021**

(54) **ANGLED SHOWER FOOT REST**

- (71) Applicant: **COHEN CONCEPTS, INC.**, Palm Bay, FL (US)
- (72) Inventor: **Howard Cohen**, Indialantic, FL (US)
- (73) Assignee: **Cohen Concepts, Inc.**, Palm Bay, FL (US)
- (**) Term: **15 Years**

- (21) Appl. No.: **29/725,201**
- (22) Filed: **Feb. 23, 2020**
- (51) **LOC (13) Cl.** **06-01**
- (52) **U.S. Cl.**
USPC **D6/349**
- (58) **Field of Classification Search**
USPC D6/334–338, 340–343, 349–353, 355,
D6/364–365, 691–691.9, 676.1–676.2,
D6/692–692.6, 716–716.1
CPC A47B 7/00–02; A47C 11/00; A47C 12/00;
A47C 13/00; A47C 16/00; A47C
16/02–04; A47C 9/00–105; A47K 17/02;
A47K 17/028
See application file for complete search history.

(56) **References Cited**

U.S. PATENT DOCUMENTS

D304,398 S *	11/1989	Goetz	D6/676.1
D395,488 S *	6/1998	Joss	D23/304
D701,714 S *	4/2014	Gelman	D6/676.1
D706,045 S *	6/2014	Cohen	D6/349
D713,181 S *	9/2014	Cohen	D6/676.1
D727,043 S *	4/2015	Cohen	D6/349
D764,193 S *	8/2016	Gelman	D6/349
D773,198 S *	12/2016	Deen	D6/364
D773,854 S *	12/2016	Preston	D6/562
D803,464 S *	11/2017	Stathis	D26/104
D803,590 S *	11/2017	Lewin	D6/349
D885,093 S *	5/2020	Gelman	D6/676.1
2008/0224004 A1 *	9/2008	Gallien	A47B 96/066 248/220.1

OTHER PUBLICATIONS

13" Kai™ Angled Corner OptiAREA™ Teak Shaving & Washing Foot Rest. [online] Retrieved Mar. 22, 2021 from URL: <https://aquateak.com/furniture/13-kai-angled-corner-optiarea-teak-shaving-washing-foot-rest/>.*

EcoDecors Oasis-Shower-Bench, Natural. [online] Retrieved Mar. 24, 2021 from URL: <https://www.amazon.com/EcoDecors-Oasis-Shower-Bench-Natural/dp/B01GSO6FN2>.*

* cited by examiner

Primary Examiner — Vy N Koenig

(74) *Attorney, Agent, or Firm* — Stephen C. Thomas; Lowndes

(57) **CLAIM**

The ornamental design for an angled shower foot rest, as shown and described.

DESCRIPTION

FIG. 1 depicts a perspective top view of the angled shower foot rest of the invention.

FIG. 2 depicts a bottom perspective view of the angled shower foot rest of the invention.

FIG. 3 depicts a front view of the angled shower foot rest of the invention.

FIG. 4 depicts a left side view of the angled shower foot rest of the invention.

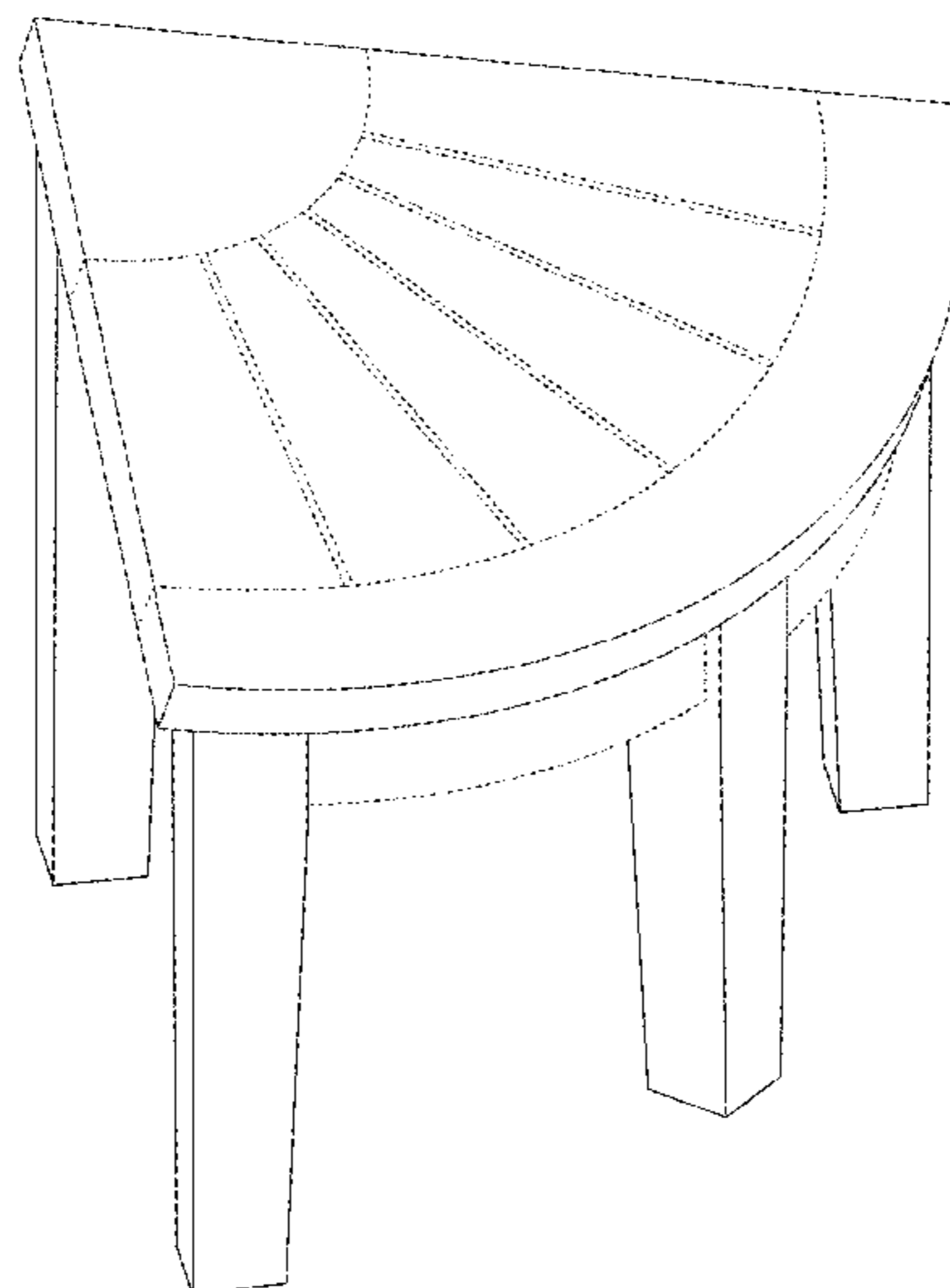
FIG. 5 depicts a rear view of the angled shower foot rest of the invention.

FIG. 6 depicts a top view of the angled shower foot rest of the invention; and,

FIG. 7 depicts a bottom view of the angled shower foot rest of the invention.

The broken lines depicted in the drawings depict features that form no part of the claimed design.

1 Claim, 7 Drawing Sheets



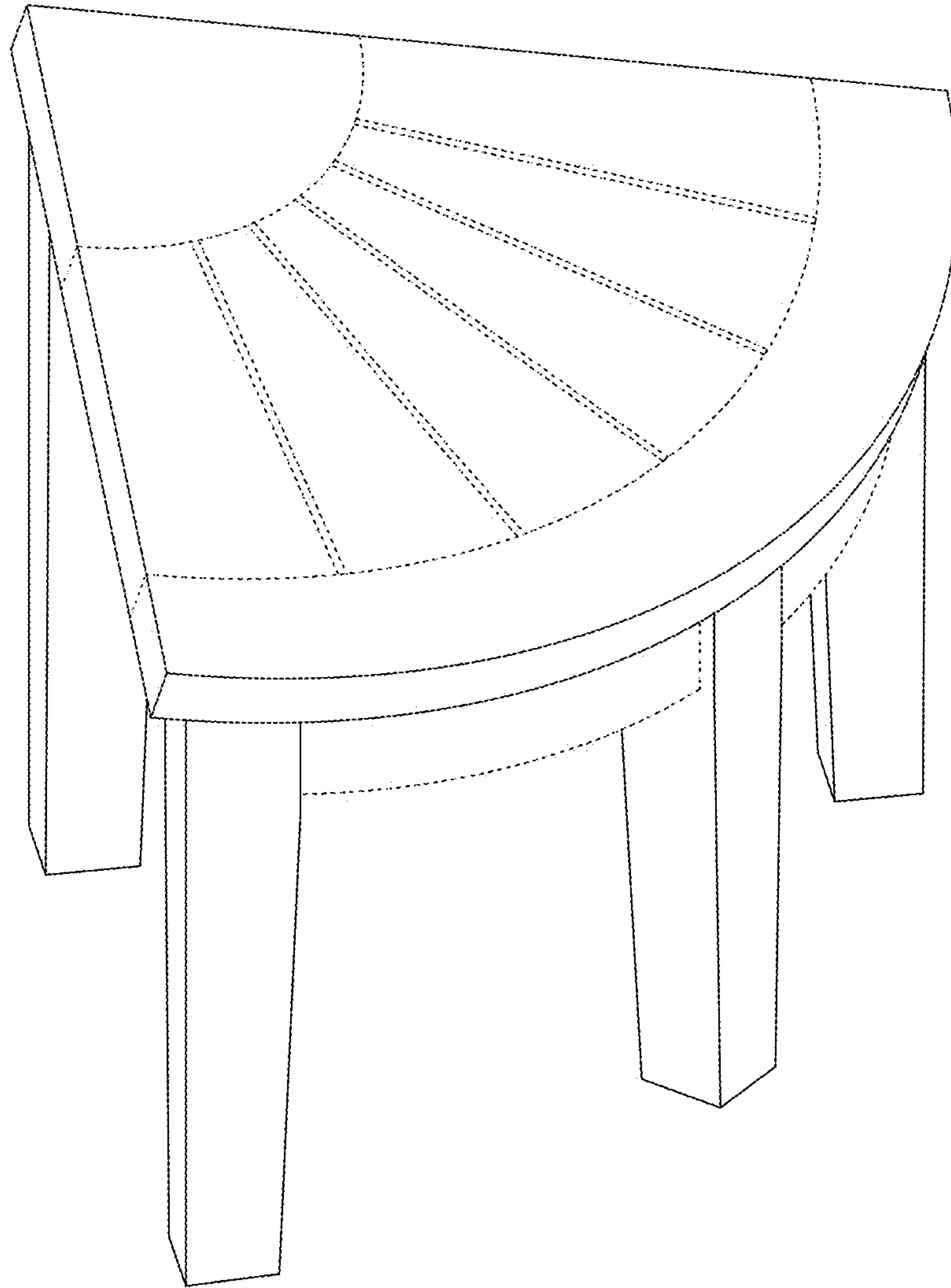


Fig. 1

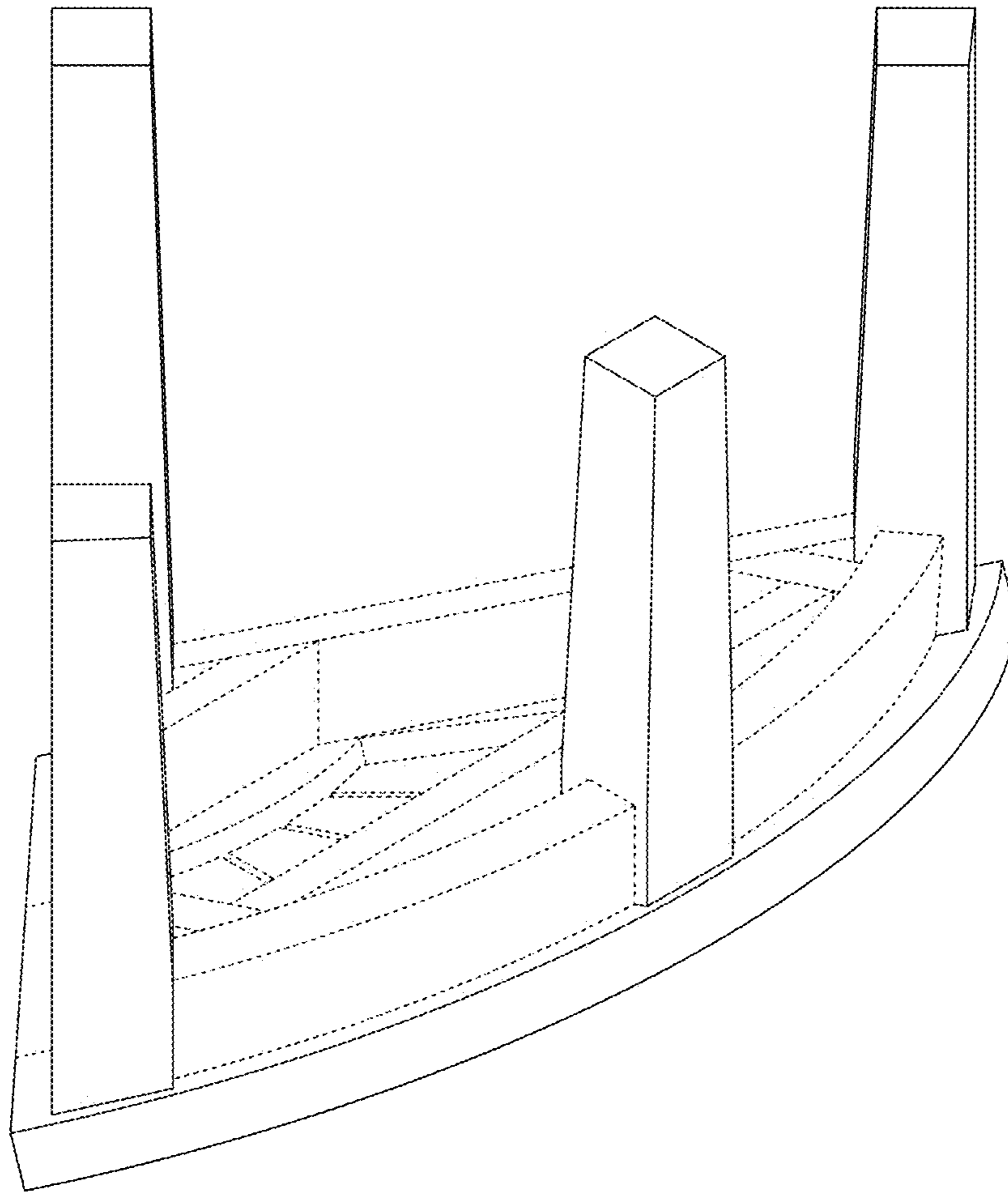


Fig. 2

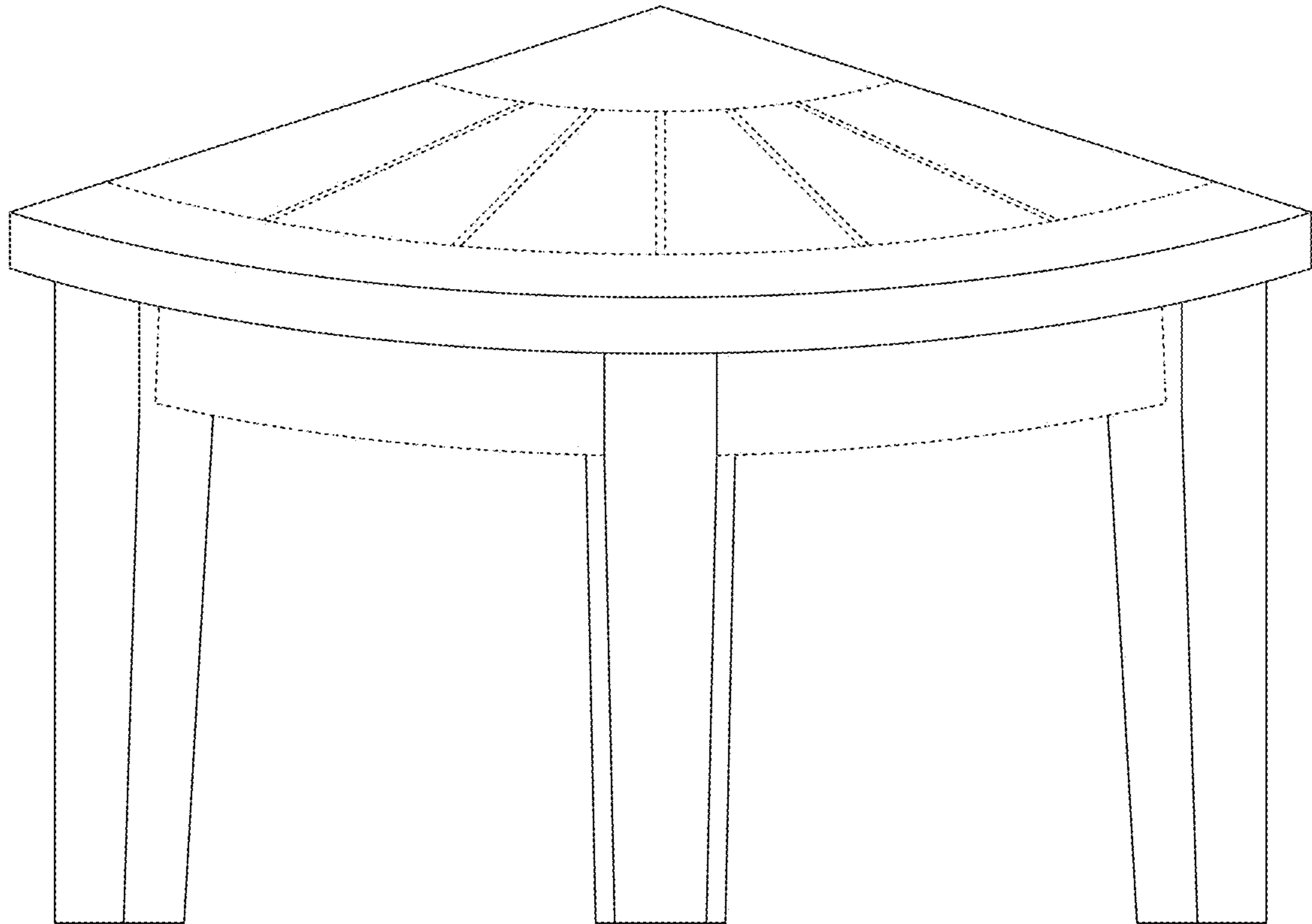


Fig. 3

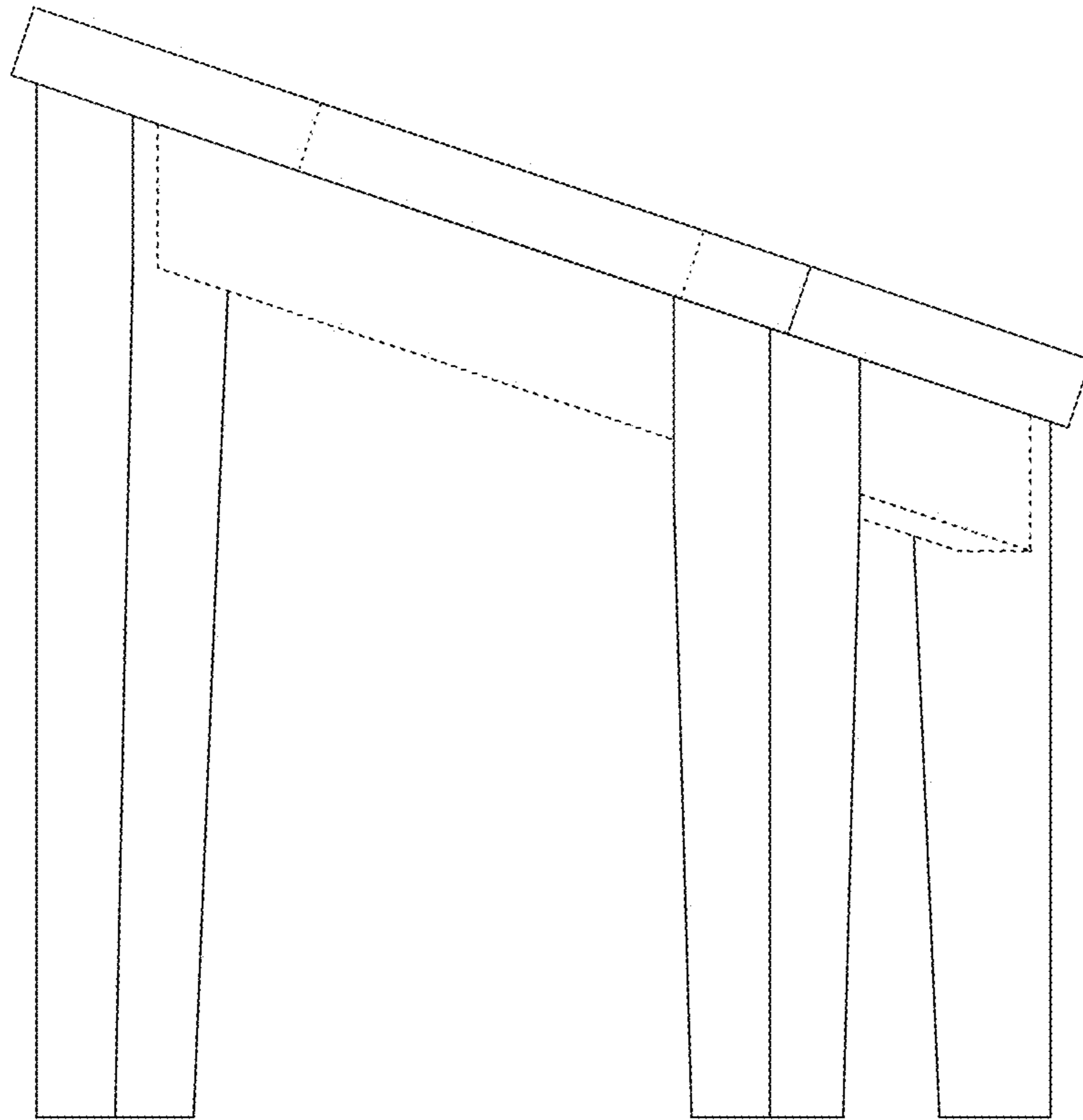


Fig. 4

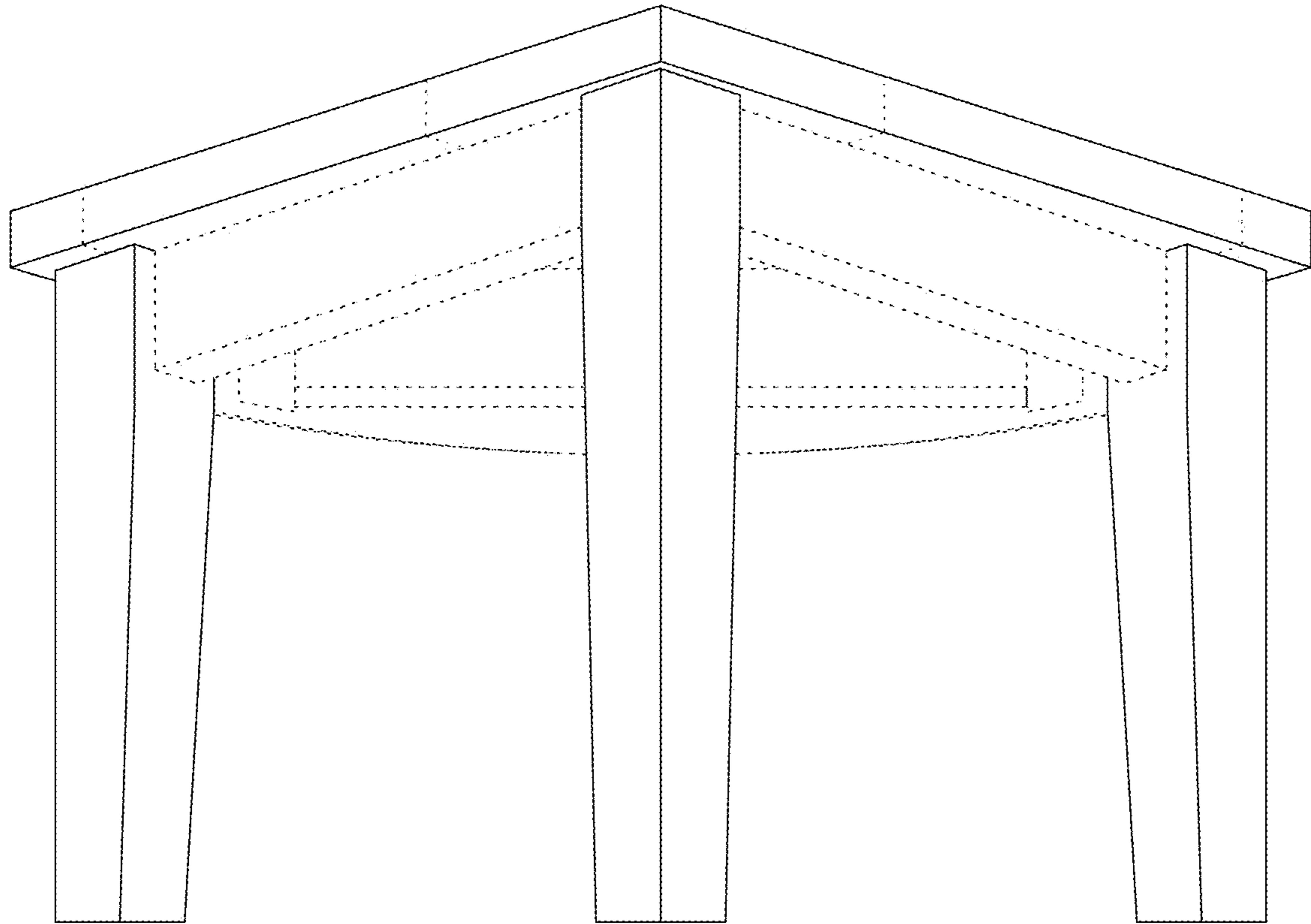


Fig. 5

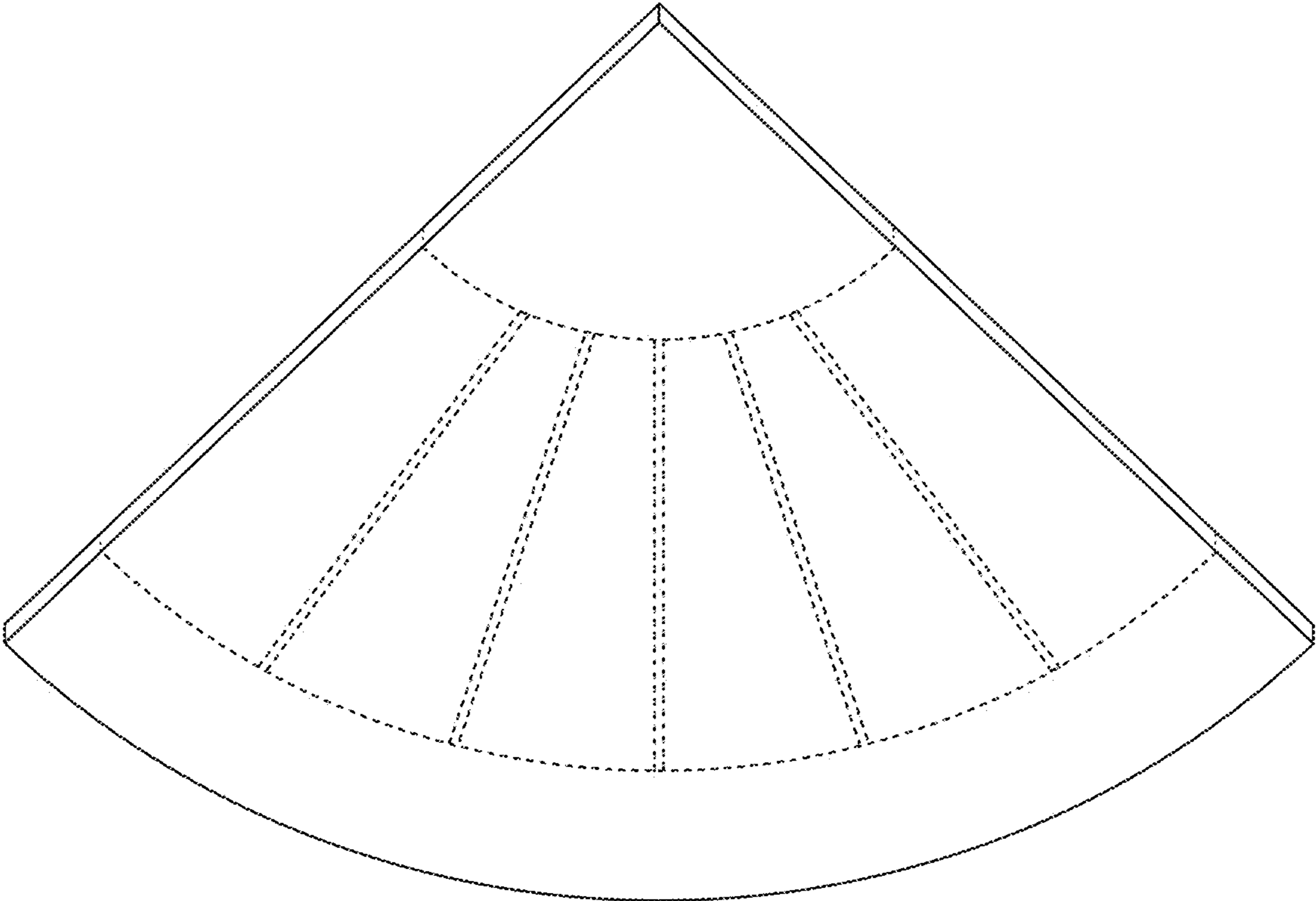


Fig. 6

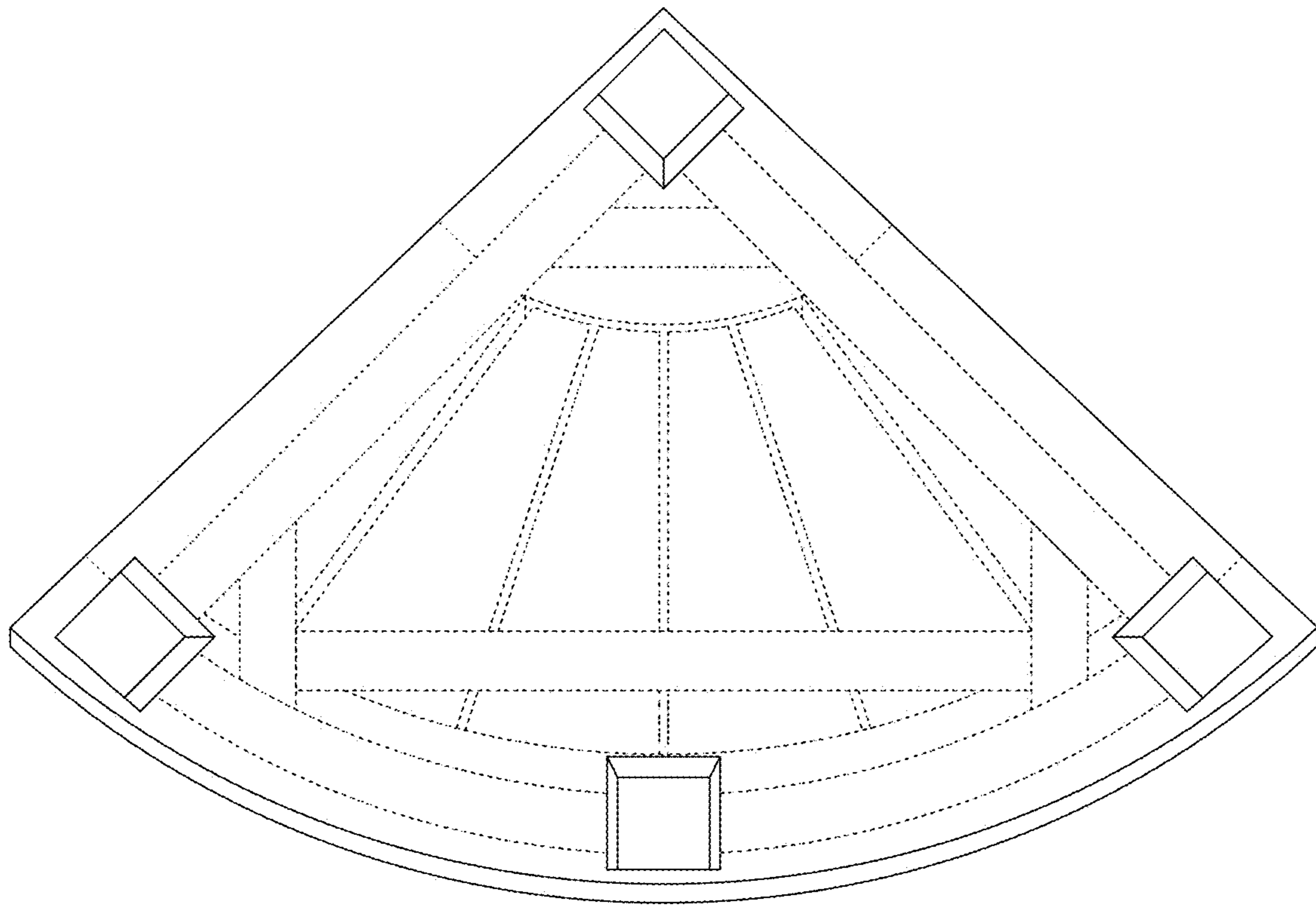


Fig. 7