



US00D926485S

(12) **United States Design Patent** (10) **Patent No.:** **US D926,485 S**
Weng (45) **Date of Patent:** **** Aug. 3, 2021**

(54) **SWINGING CHAIR**

(71) Applicant: **Zhibo Weng**, Ningbo (CN)

(72) Inventor: **Zhibo Weng**, Ningbo (CN)

(**) Term: **15 Years**

(21) Appl. No.: **29/723,634**

(22) Filed: **Feb. 9, 2020**

(51) **LOC (13) Cl.** **06-01**

(52) **U.S. Cl.**
USPC **D6/347**

(58) **Field of Classification Search**
 USPC D6/334, 341, 342, 347, 360, 364, 365,
 D6/386, 387, 389, 643, 650, 677, 716,
 D6/718.1, 718.11, 344, 359, 368, 369,
 D6/708.16, 339, 348, 385, 611; D21/521,
 D21/797, 707, 713, 781; D23/292;
 D12/52, 322; D30/124, 128
 CPC A47C 3/02; A47C 3/12; A47C 3/18; A47C
 3/26; A47C 3/0255; A47C 4/24; A47C
 5/02; A47C 7/443; A47C 15/008; A47C
 17/84; A47C 4/02; A47C 4/18; A47C
 4/30; A47C 4/42; A47C 4/286; A47C
 5/04; A47D 9/00; A47D 13/02; A47D
 13/10; A47D 13/105; A47D 9/02; A47D
 9/04; A47D 13/107; A63G 9/00; A63G
 9/02; A63G 1/20; A63G 9/04; A63G
 9/14; A63G 9/12; A63G 9/16; A45F 3/22;
 A45F 3/24; A45F 3/26; F21S 4/15; F21S
 4/20; F21S 4/28; F21S 6/00; F21S 8/063;
 F21V 17/007; F21V 17/02; F21V 3/02;
 F21V 21/14; F21V 21/08; E04H 4/108;
 E04H 15/38; E04H 15/28; E04B 1/3441;
 B44C 5/00; A63B 69/0091; A63B 19/04;
 A61G 15/005

See application file for complete search history.

(56) **References Cited**

U.S. PATENT DOCUMENTS

2,860,689	A *	11/1958	Baker	A47D 13/105 472/118
D230,921	S *	3/1974	Bonnell	D6/347
D450,938	S *	11/2001	Liu	D6/347
D477,719	S *	7/2003	Chaudeurge	D6/339
D602,707	S *	10/2009	VanElverdinghe	D6/387
D677,914	S *	3/2013	Cardenas	D6/347
8,613,118	B1 *	12/2013	Boos	A47D 9/02 5/108
D765,436	S *	9/2016	Fang	D6/387
D776,948	S *	1/2017	Weng	D6/347
D787,236	S *	5/2017	Rizzo	D6/611
D799,838	S *	10/2017	Lv	D6/347
D812,394	S *	3/2018	Weng	D6/385
9,913,549	B2 *	3/2018	Gregorian	A47D 9/04
D823,012	S *	7/2018	Yu	D6/348
D843,744	S *	3/2019	Weng	D6/347
D882,983	S *	5/2020	Dick	D6/387

* cited by examiner

Primary Examiner — Kevin K Rudzinski

Assistant Examiner — Paul D Bohannon

(74) *Attorney, Agent, or Firm* — Matthias Scholl P.C.;
Matthias Scholl

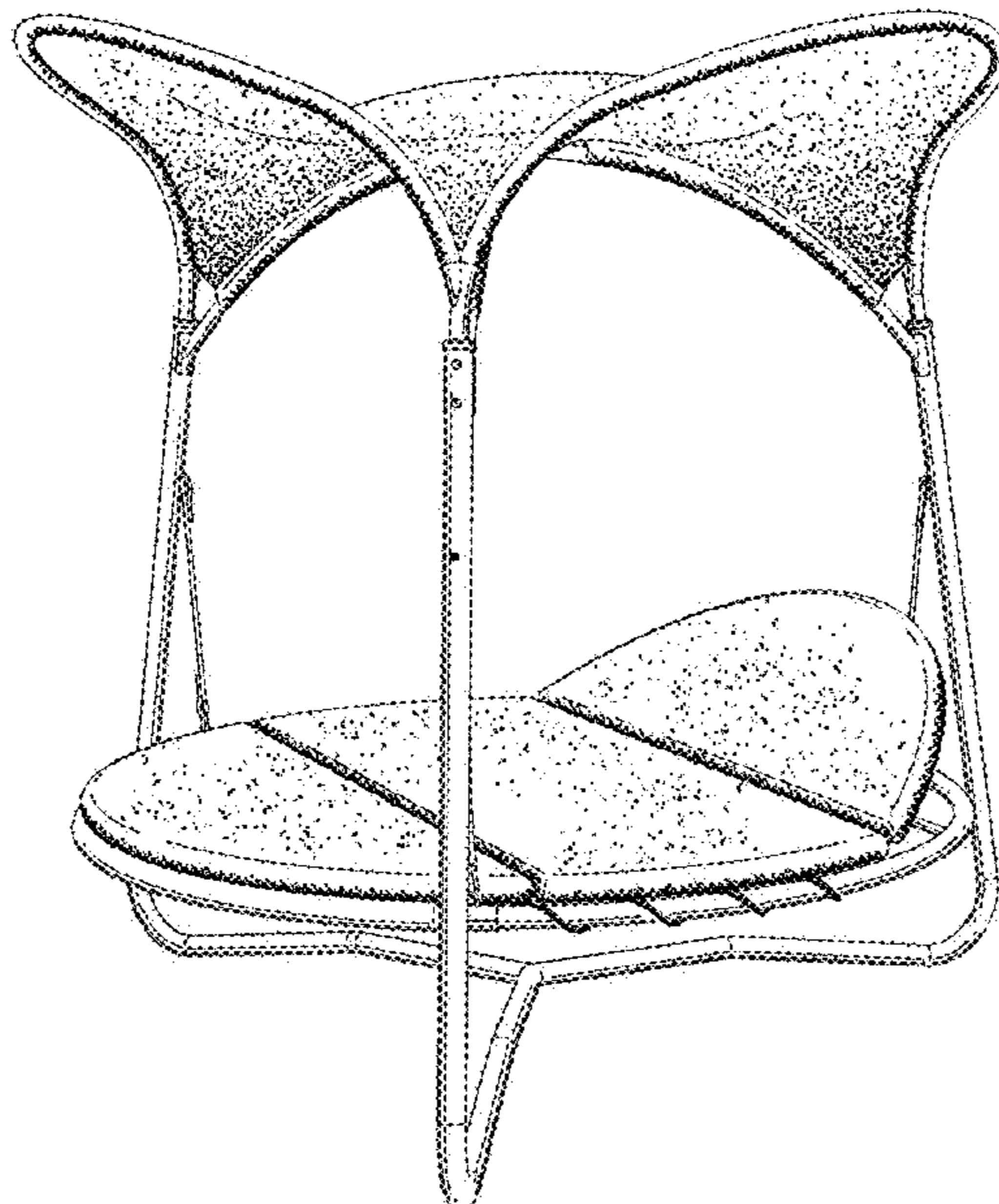
(57) **CLAIM**

The ornamental design for a swinging chair, as shown and described.

DESCRIPTION

FIG. 1 is a front elevation view of a swinging chair;
 FIG. 2 is a rear elevation view thereof;
 FIG. 3 is a left-side elevation view thereof;
 FIG. 4 is a right-side elevation view thereof;
 FIG. 5 is a top plan view thereof;
 FIG. 6 is a bottom plan view thereof; and,
 FIG. 7 is a perspective view thereof.

1 Claim, 7 Drawing Sheets



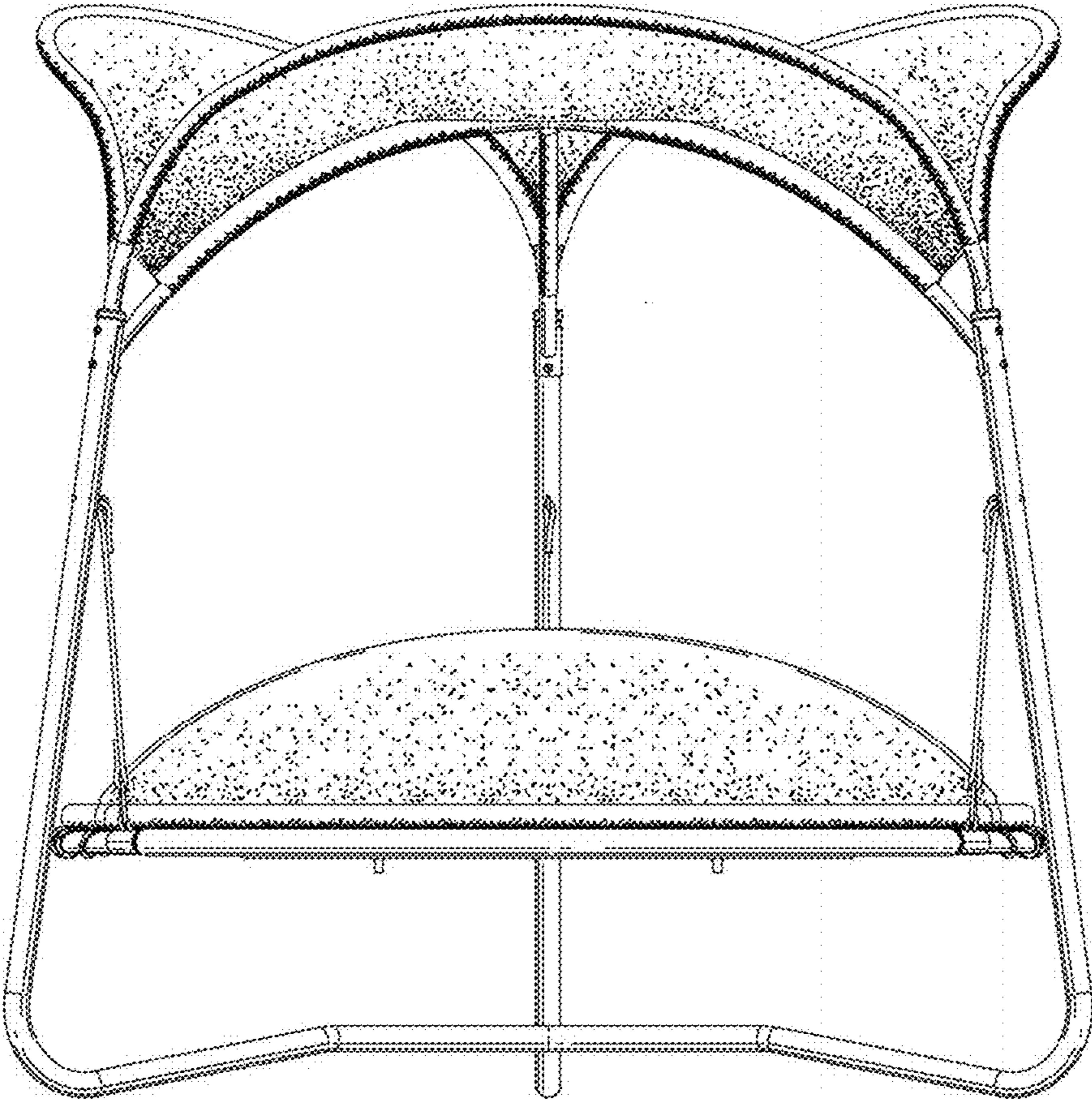


FIG. 1

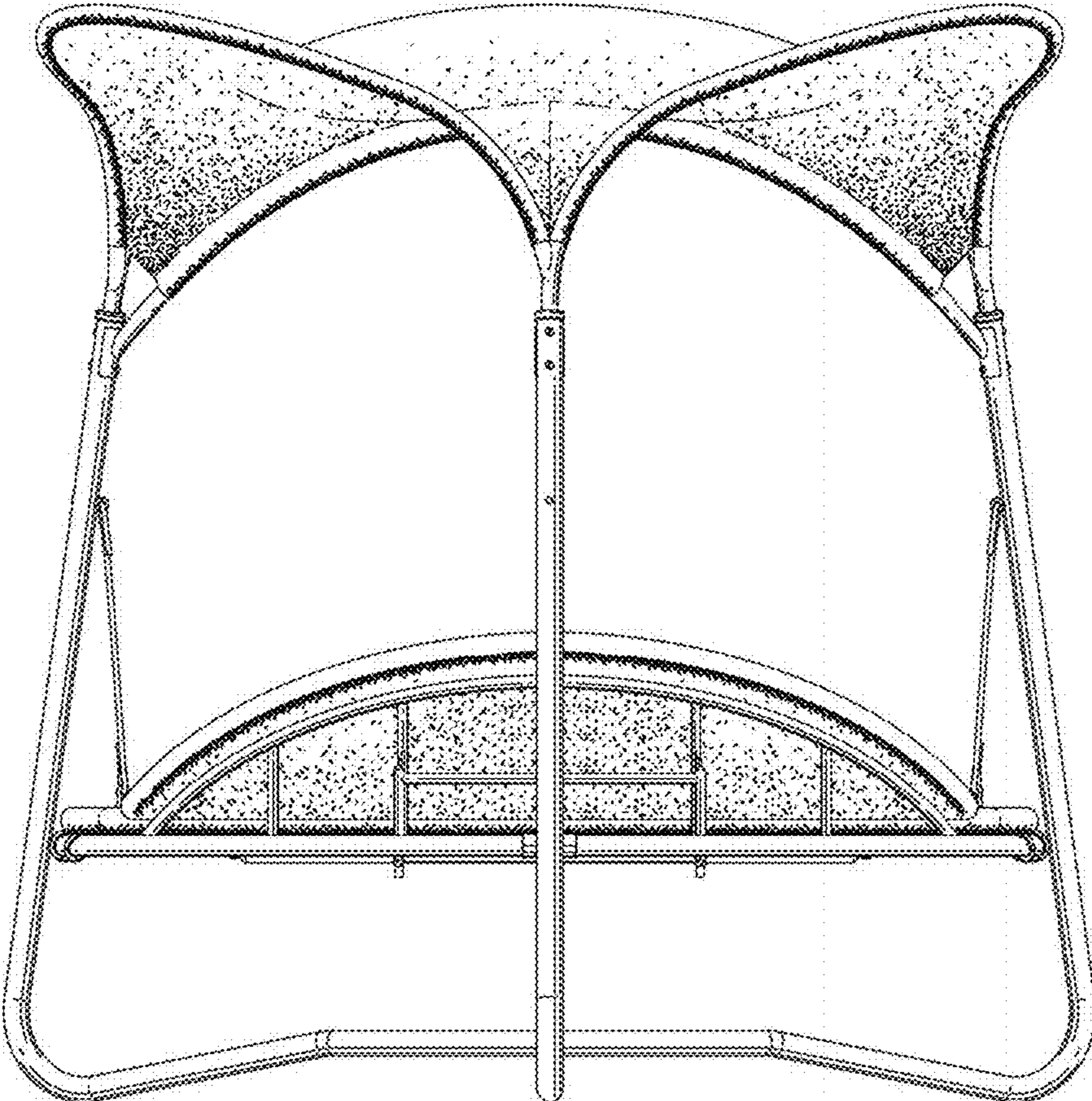


FIG. 2

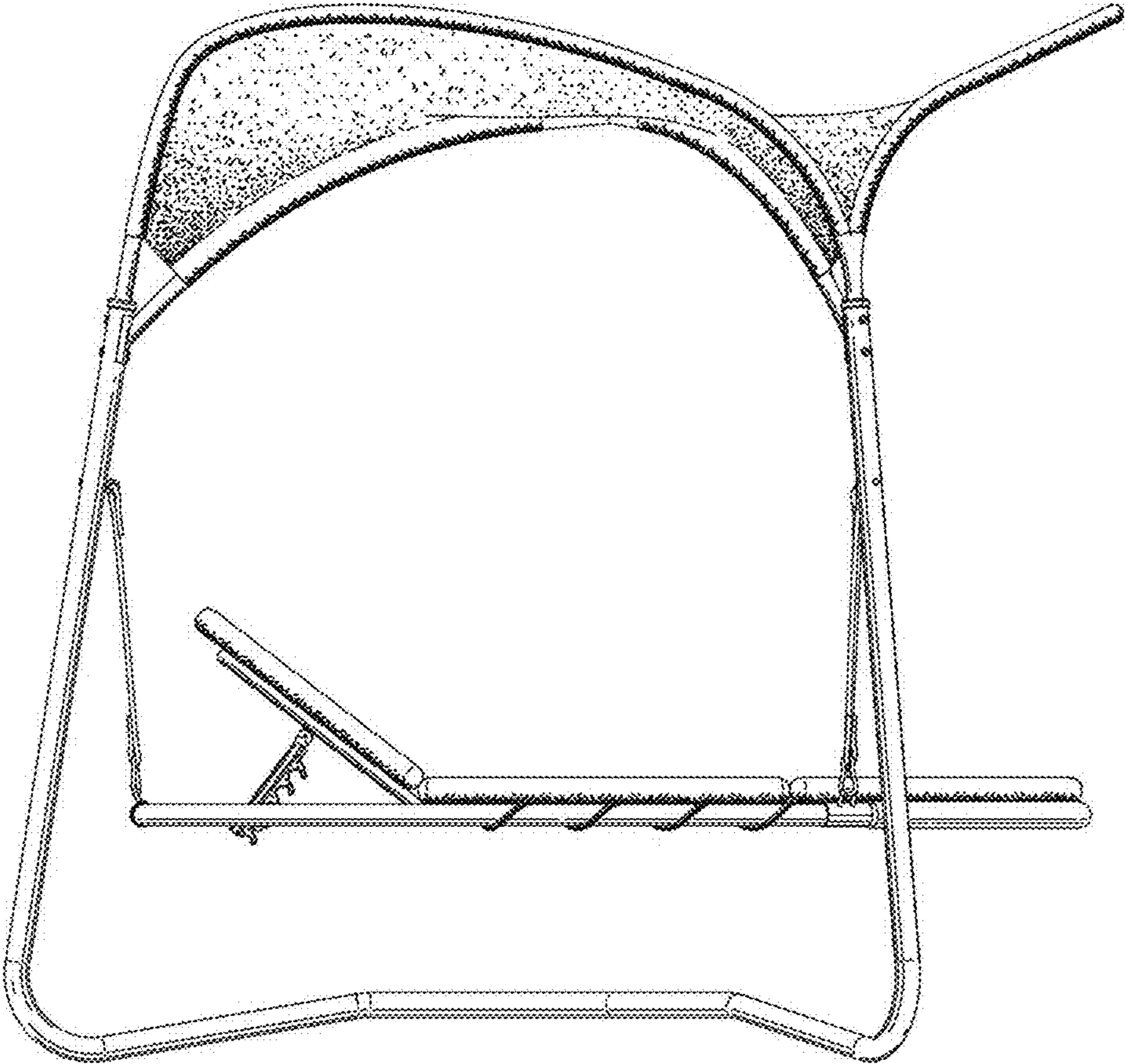


FIG. 3

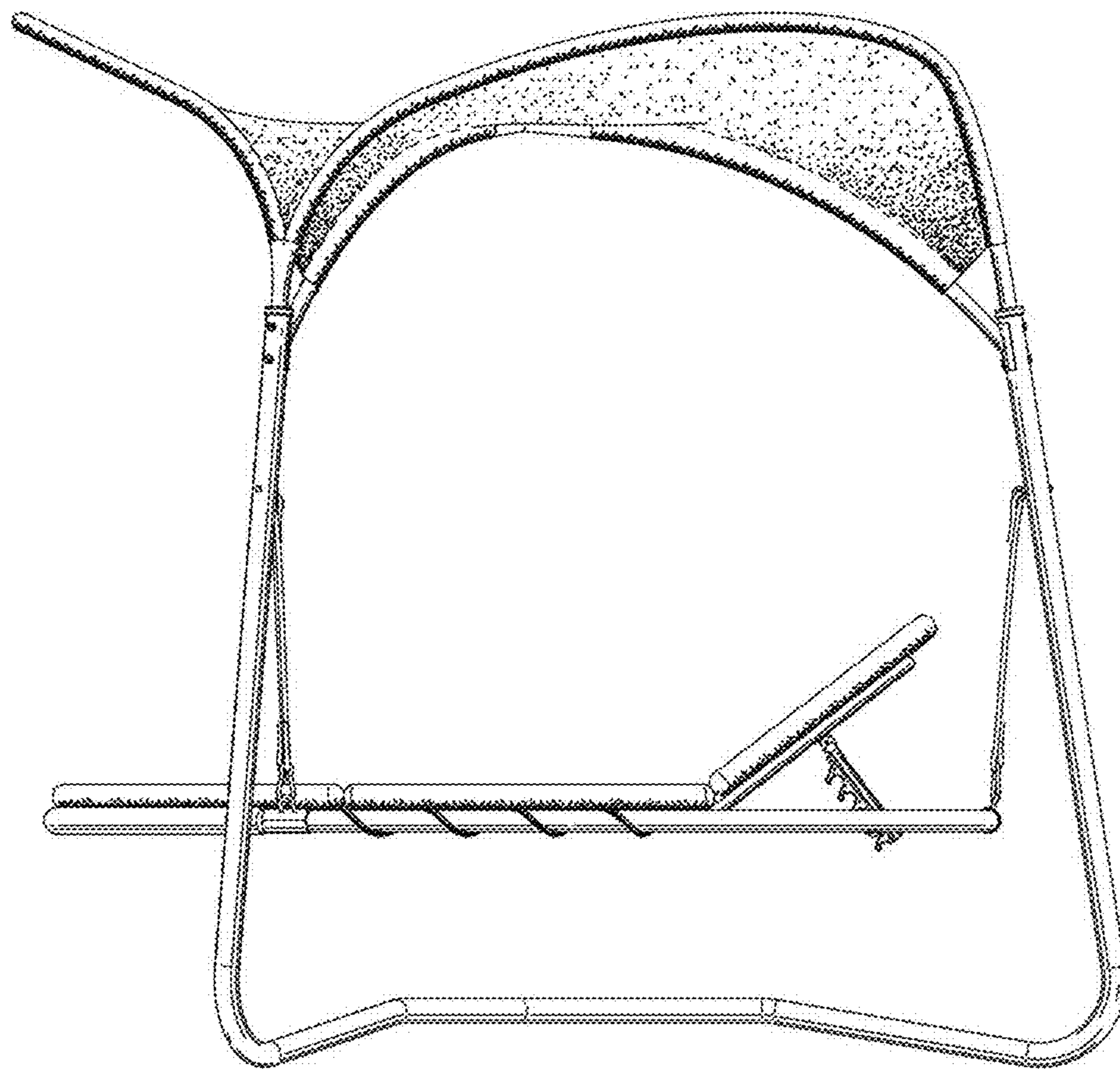


FIG. 4

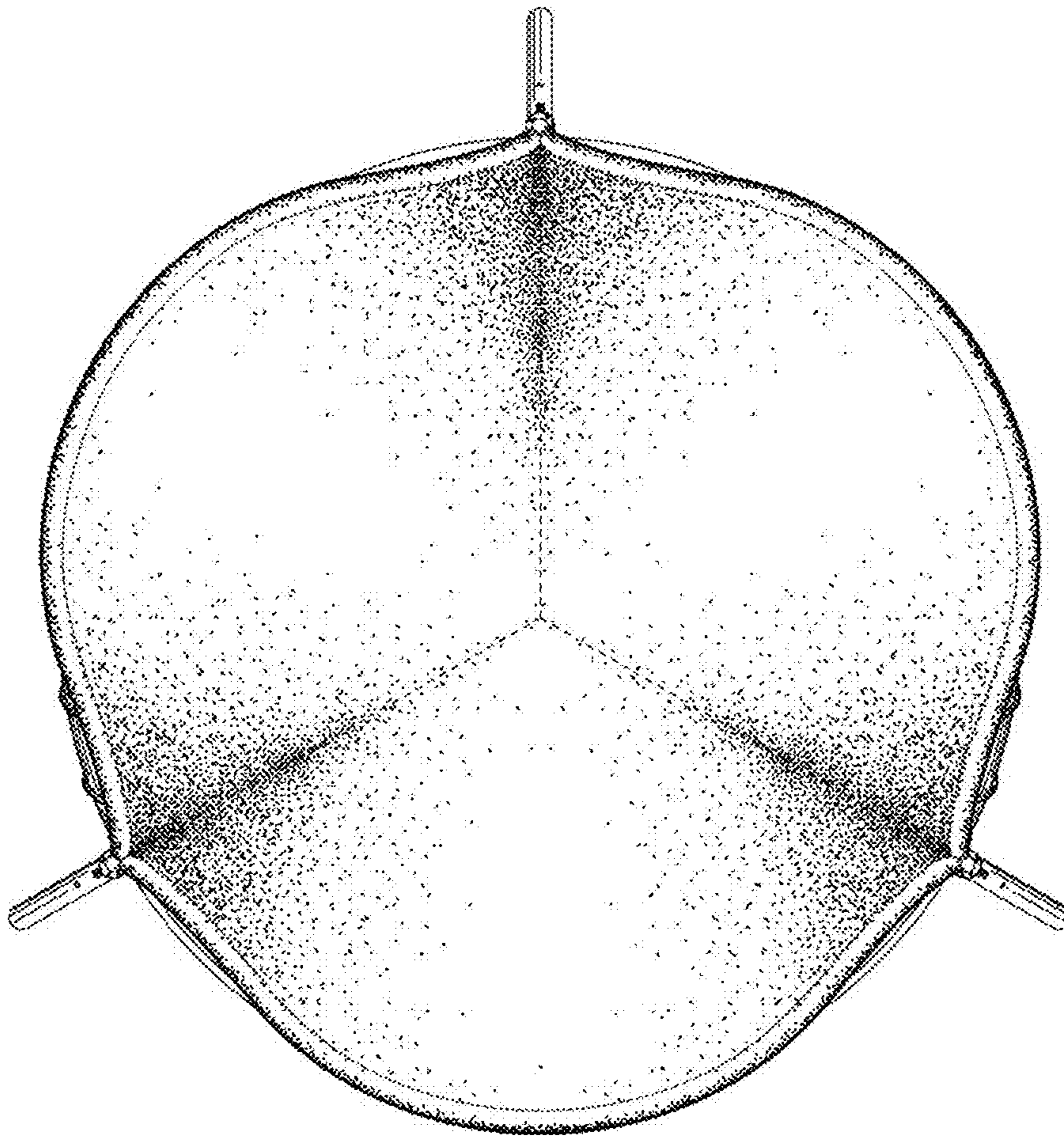


FIG. 5

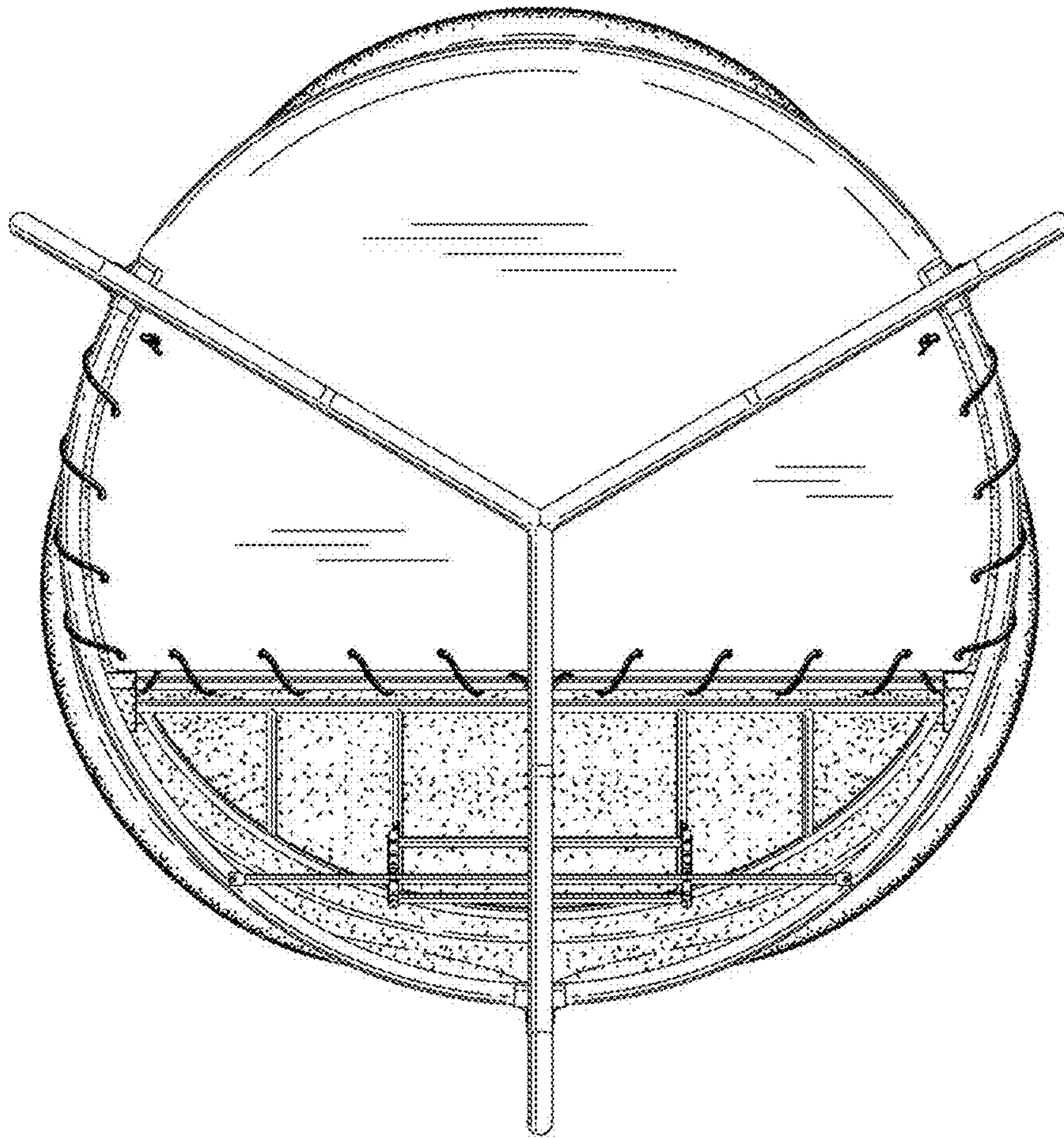


FIG. 6

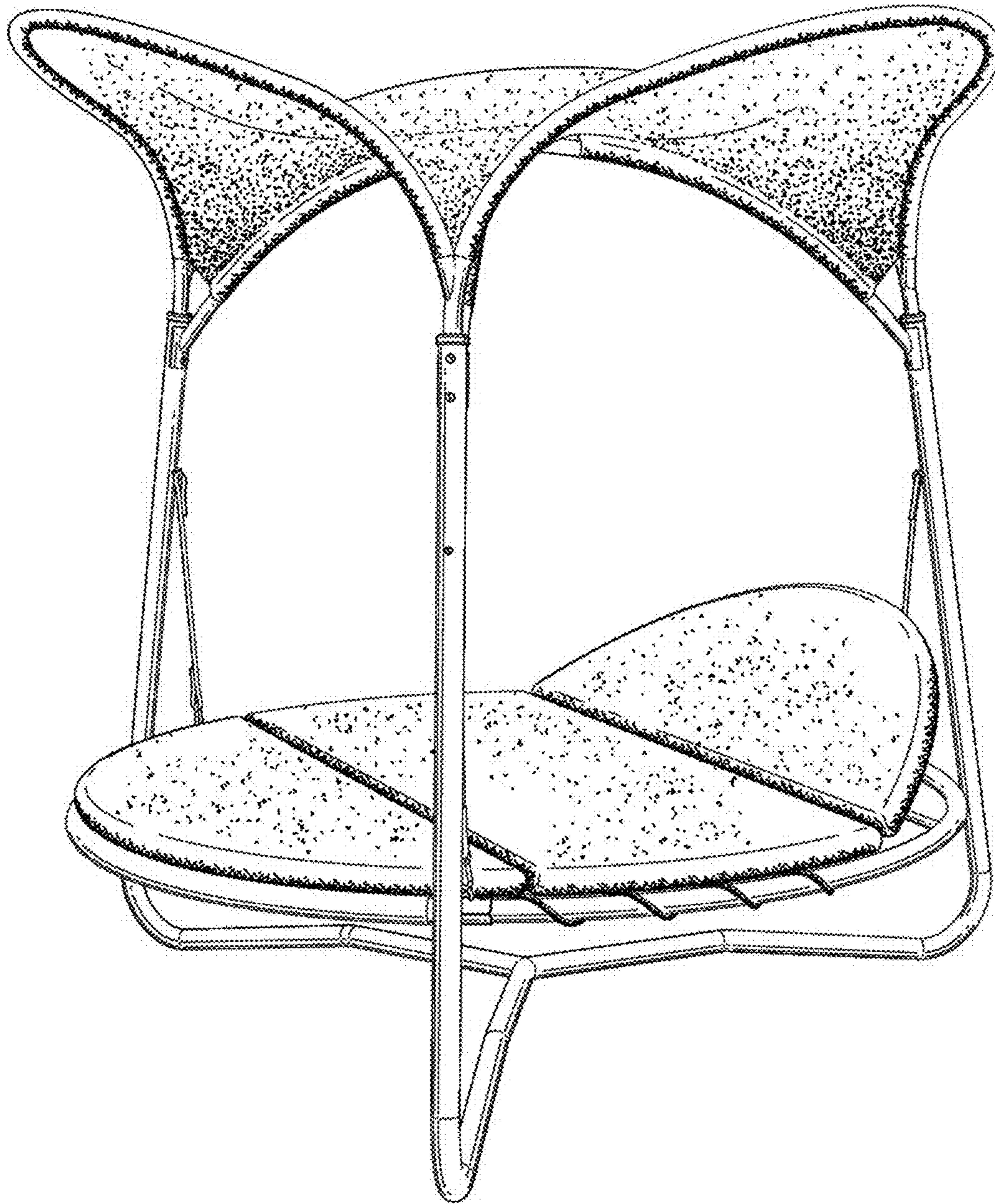


FIG. 7