



US00D926484S

(12) **United States Design Patent** (10) **Patent No.:** **US D926,484 S**
Levy (45) **Date of Patent:** **** *Aug. 3, 2021**

- (54) **TABLE**
- (71) Applicant: **NPS Public Furniture Corp.**, Clifton, NJ (US)
- (72) Inventor: **Elliot Levy**, Passaic, NJ (US)
- (73) Assignee: **NPS Public Furniture Corp.**, Clifton, NJ (US)

- D604,520 S * 11/2009 Wegman D6/338
- D604,522 S * 11/2009 Wegman D6/338
- D637,826 S 5/2011 DeVriendt
- D639,572 S * 6/2011 Frobose D6/338
- D670,089 S 11/2012 Frobose et al.
- D793,136 S * 8/2017 Grano D6/697.1
- D832,604 S 11/2018 Samikkannu
- D836,928 S * 1/2019 Samikkannu D6/337
- D846,925 S * 4/2019 Handler D6/707.22

(Continued)

- (*) Notice: This patent is subject to a terminal disclaimer.
- (**) Term: **15 Years**

- (21) Appl. No.: **29/722,186**
- (22) Filed: **Jan. 27, 2020**
- (51) **LOC (13) Cl.** **06-01**
- (52) **U.S. Cl.**
USPC **D6/337**
- (58) **Field of Classification Search**
USPC D6/334, 335, 336, 337, 338, 349, 355, D6/368, 370
CPC A47B 3/002; A47B 3/083; A47B 3/087; A47B 3/14; A47B 23/04; A47B 39/00; A47B 41/00; A47B 83/02; A47B 83/021; A47B 83/0213; A47B 2003/145; A47C 7/002; A47C 7/004; A47C 7/50; A47C 9/025; A47D 1/008; A47D 3/00; A47D 3/001; A47D 3/005
See application file for complete search history.

- (56) **References Cited**
U.S. PATENT DOCUMENTS
D327,779 S * 7/1992 Jensen D6/337
D390,381 S 2/1998 Dormon et al.
D431,918 S * 10/2000 Tseng D6/337
6,347,831 B1 * 2/2002 Nye A47B 3/14
297/118
D524,067 S * 7/2006 Spear D6/349
D562,461 S * 2/2008 Nash D24/189

OTHER PUBLICATIONS

NPS 8' Swerve Mobile Table with Benches [online], [site visited Jun. 9, 2021]. Available from internet, URL: <https://www.nationalpublicseating.com/products/product-category/single/index.php?id=MSTB8&cat=Mobile+Tables&subcat=Bench+Units> (Year: 2021).*

(Continued)

Primary Examiner — Cynthia Ramirez
Assistant Examiner — Xavier Marti-Santos
(74) *Attorney, Agent, or Firm* — Weiss & Arons LLP

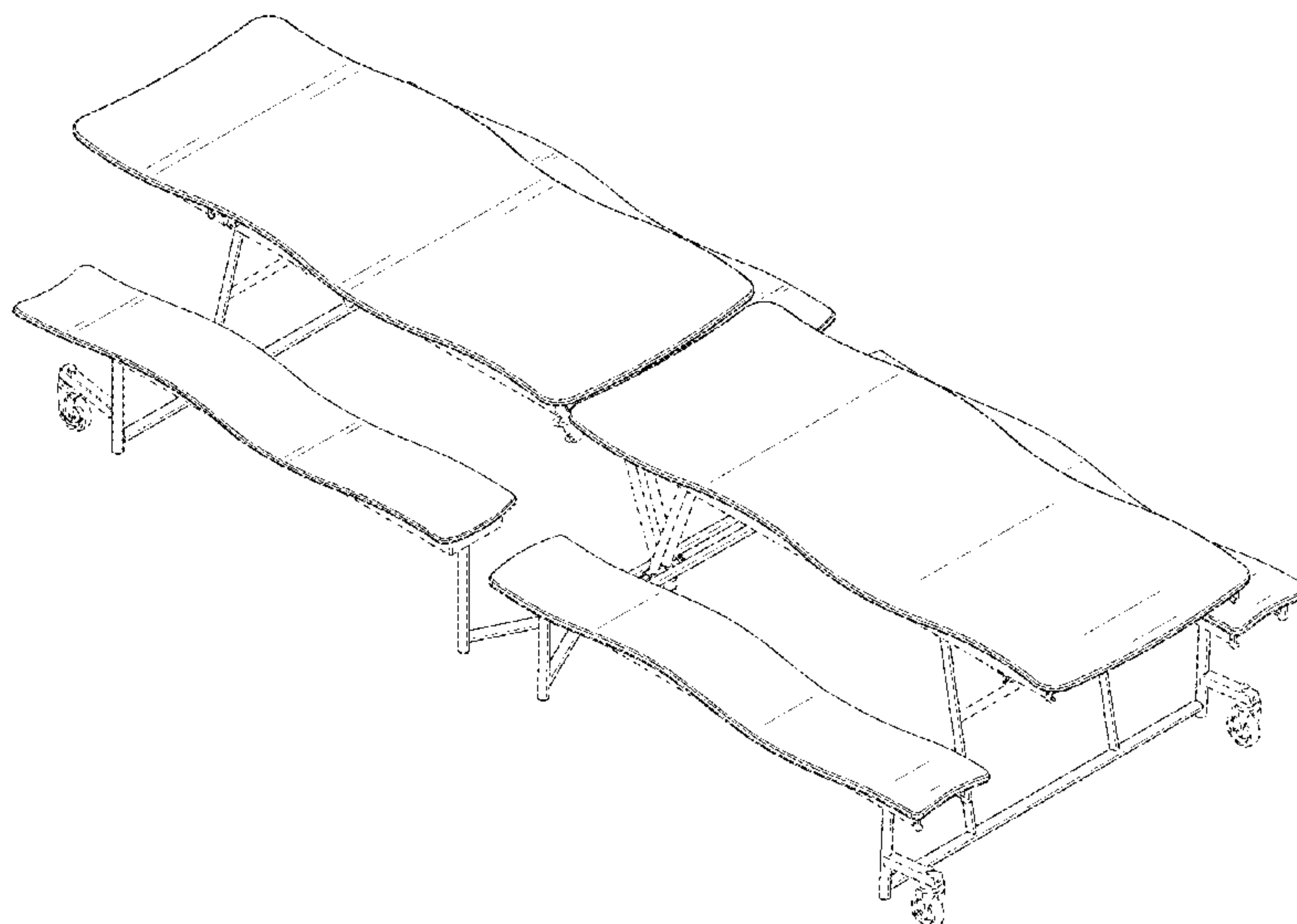
(57) **CLAIM**

The ornamental design for a table, as shown and described.

DESCRIPTION

FIG. 1 is a front, top, right perspective view of the table showing my new design;
FIG. 2 is a front elevational view thereof;
FIG. 3 is a rear elevational view thereof;
FIG. 4 is a right side elevational view thereof;
FIG. 5 is a left side elevational view thereof;
FIG. 6 is a top plan view thereof;
FIG. 7 is a bottom plan view thereof; and,
FIG. 8 is a front, top, left perspective view thereof.
The broken lines in the figures are for the purpose of illustrating portions of the table, which form no part of the claimed design.

1 Claim, 8 Drawing Sheets



(56)

References Cited

U.S. PATENT DOCUMENTS

D900,490 S * 11/2020 Yu D6/337
2016/0302576 A1 * 10/2016 Dickey A47C 7/16

OTHER PUBLICATIONS

NPS® 8' Bedrock Mobile Table with Benches [online], [site visited Jun. 9, 2021]. Available from internet, URL: <<https://www.nationalpublicseating.com/products/product-category/single/index.php?id=MBTB8&cat=Mobile+Tables&subcat=Bench+Units>> (Year: 2021).*

Mobile Bench and Stool Table—Wave [online], [site visited Jun. 9, 2021]. Available from internet, URL:<<https://www.amtab.com/mobile-bench-and-stool-table-wave/>> (Year: 2021).*

* cited by examiner

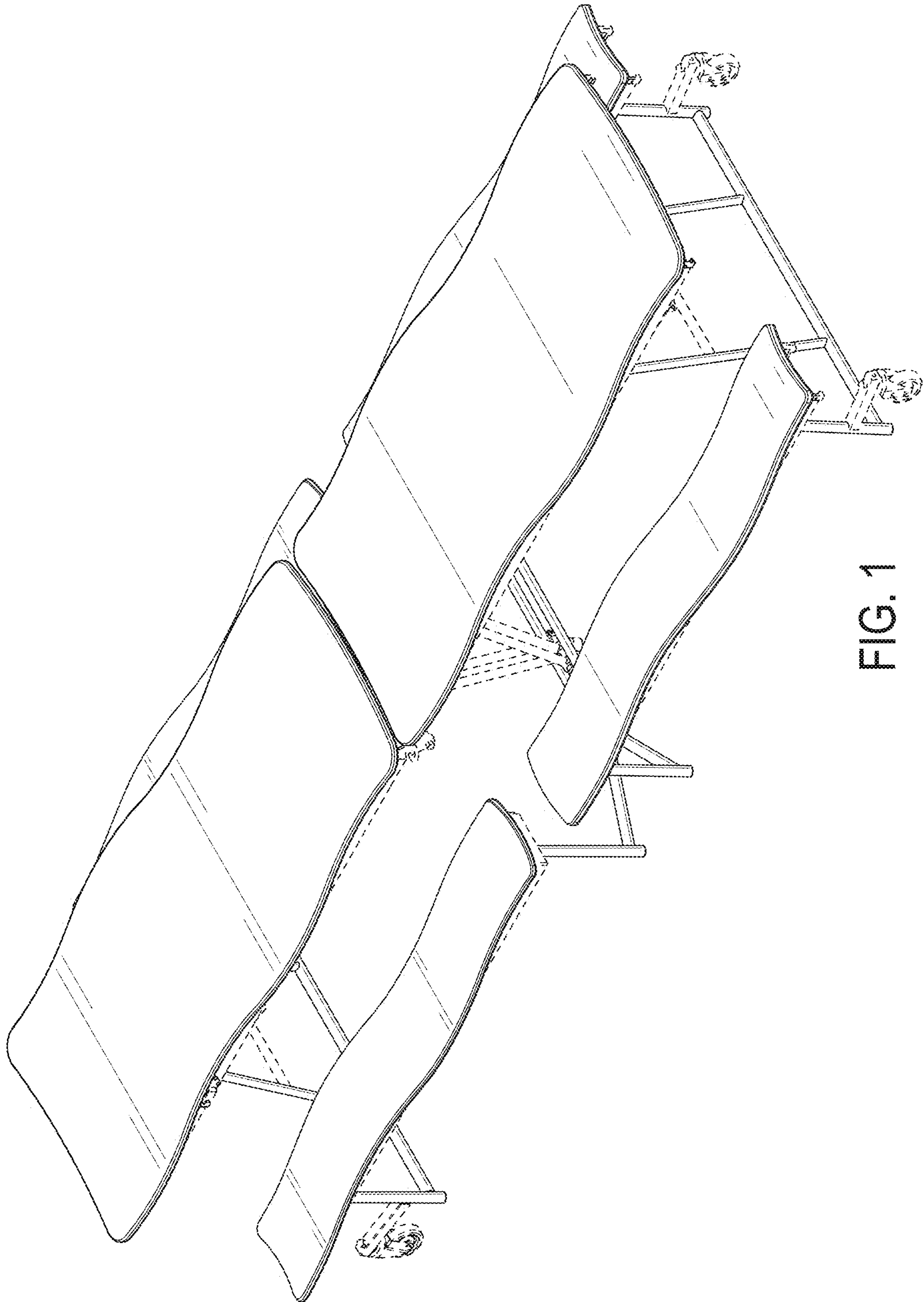


FIG. 1

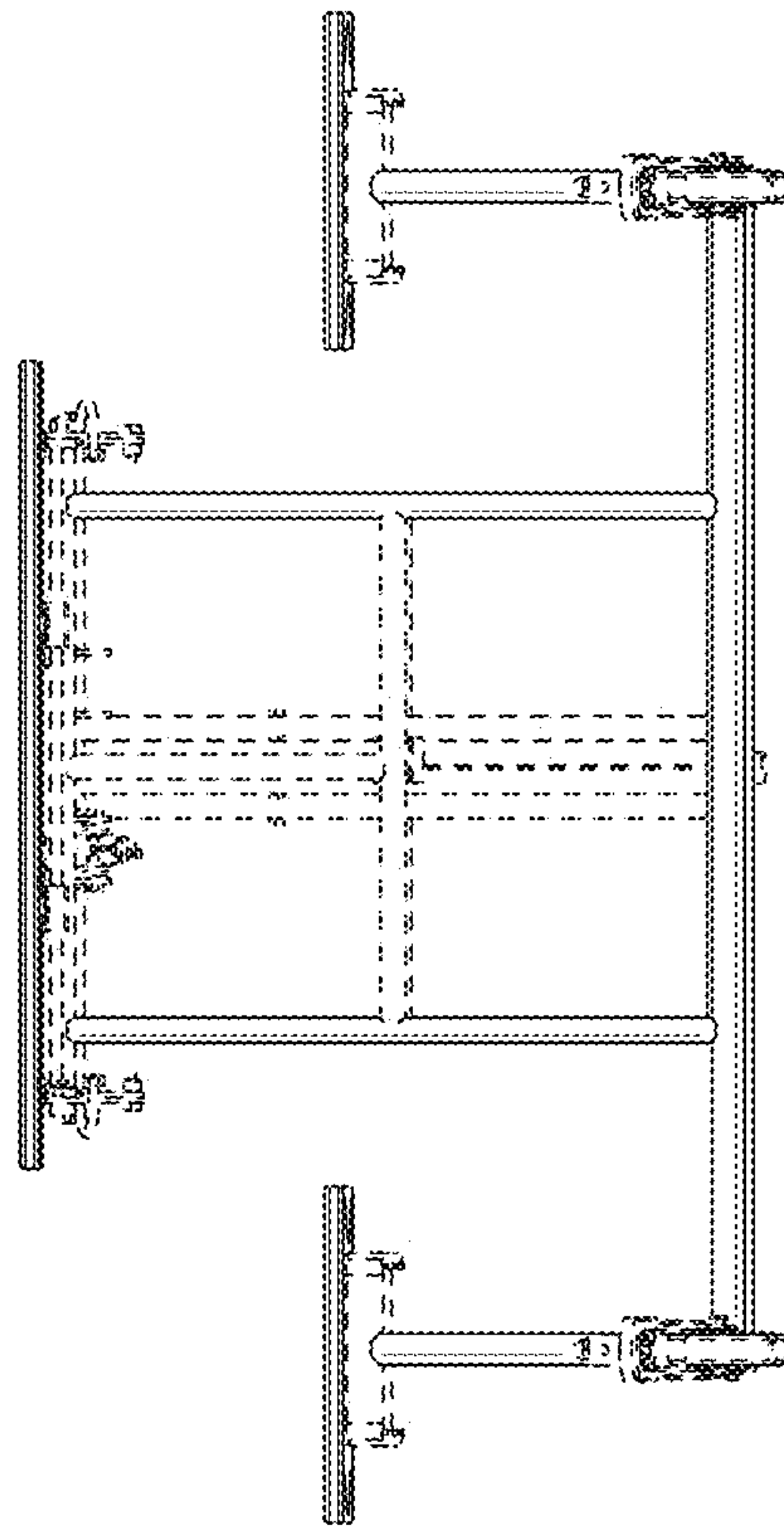


FIG. 2

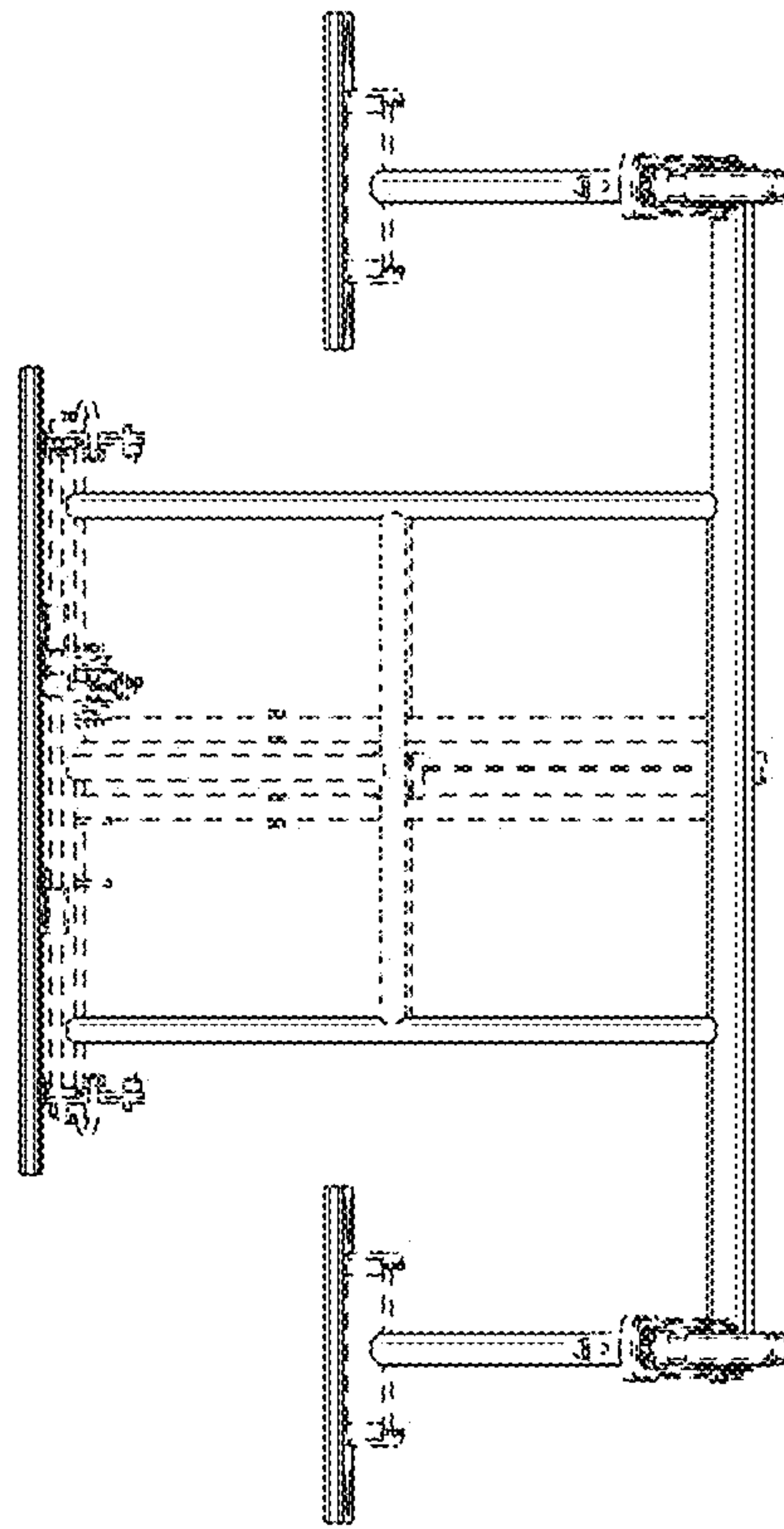


FIG. 3

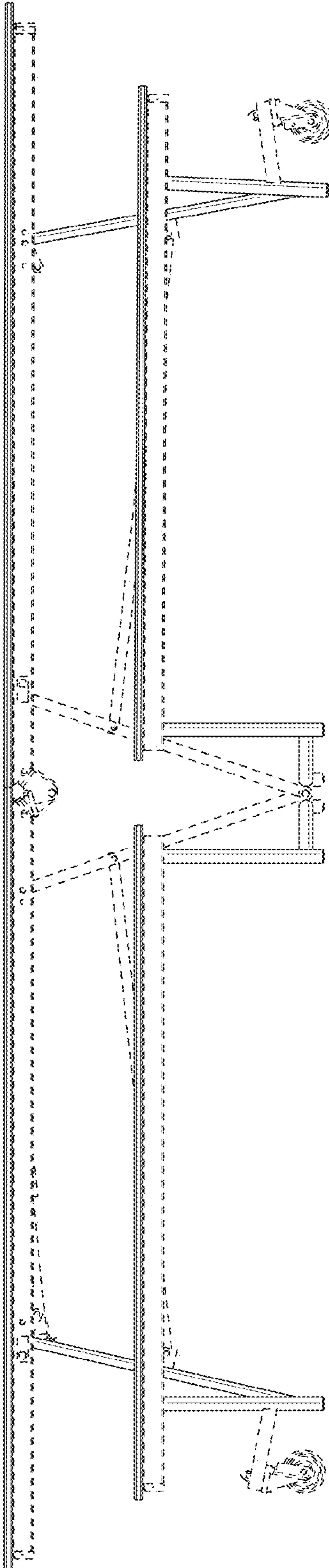


FIG. 4

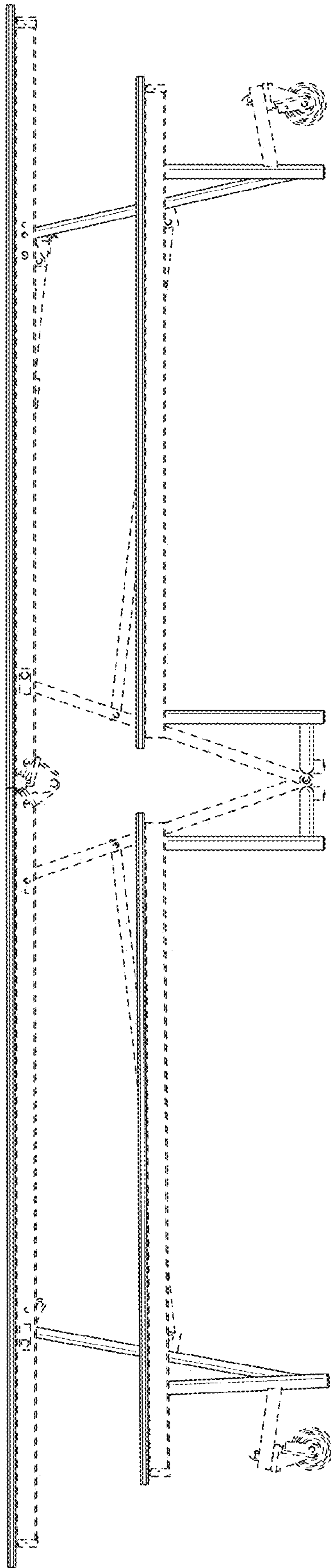


FIG. 5

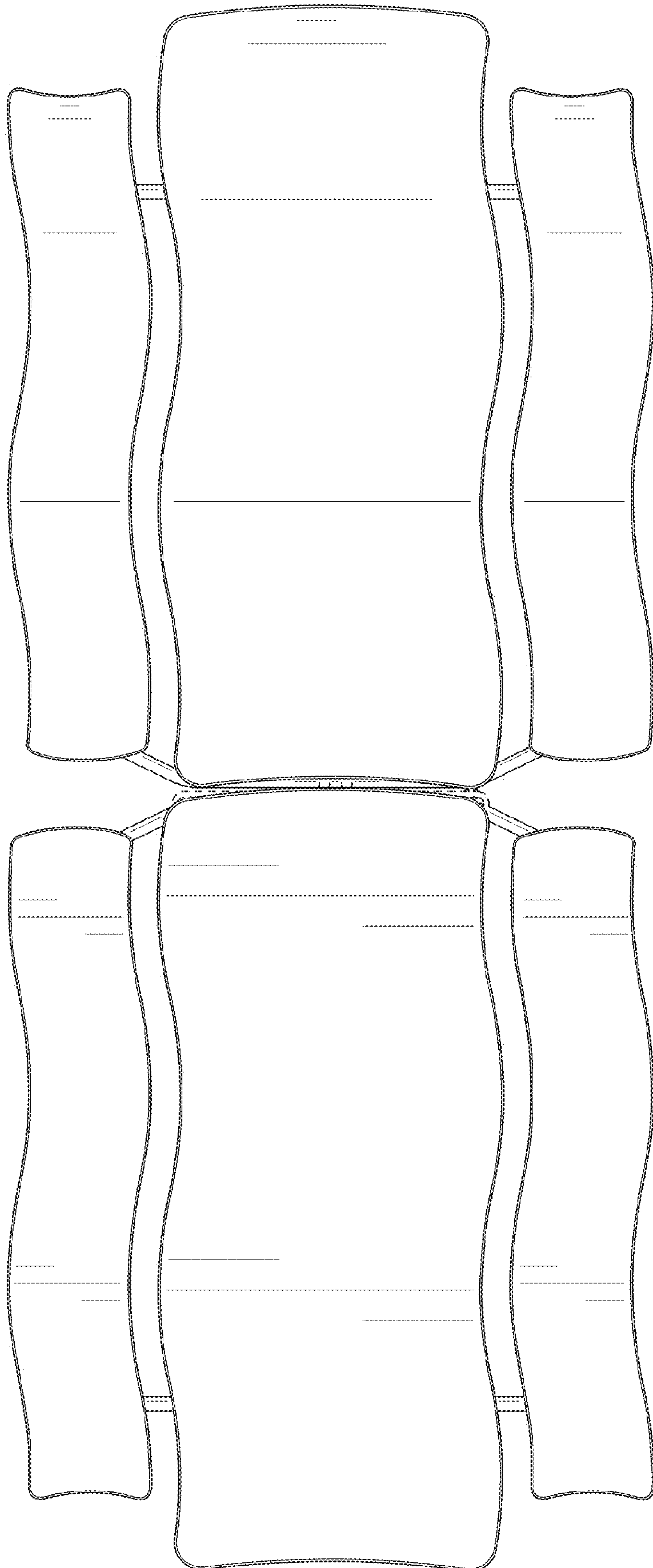


FIG. 6

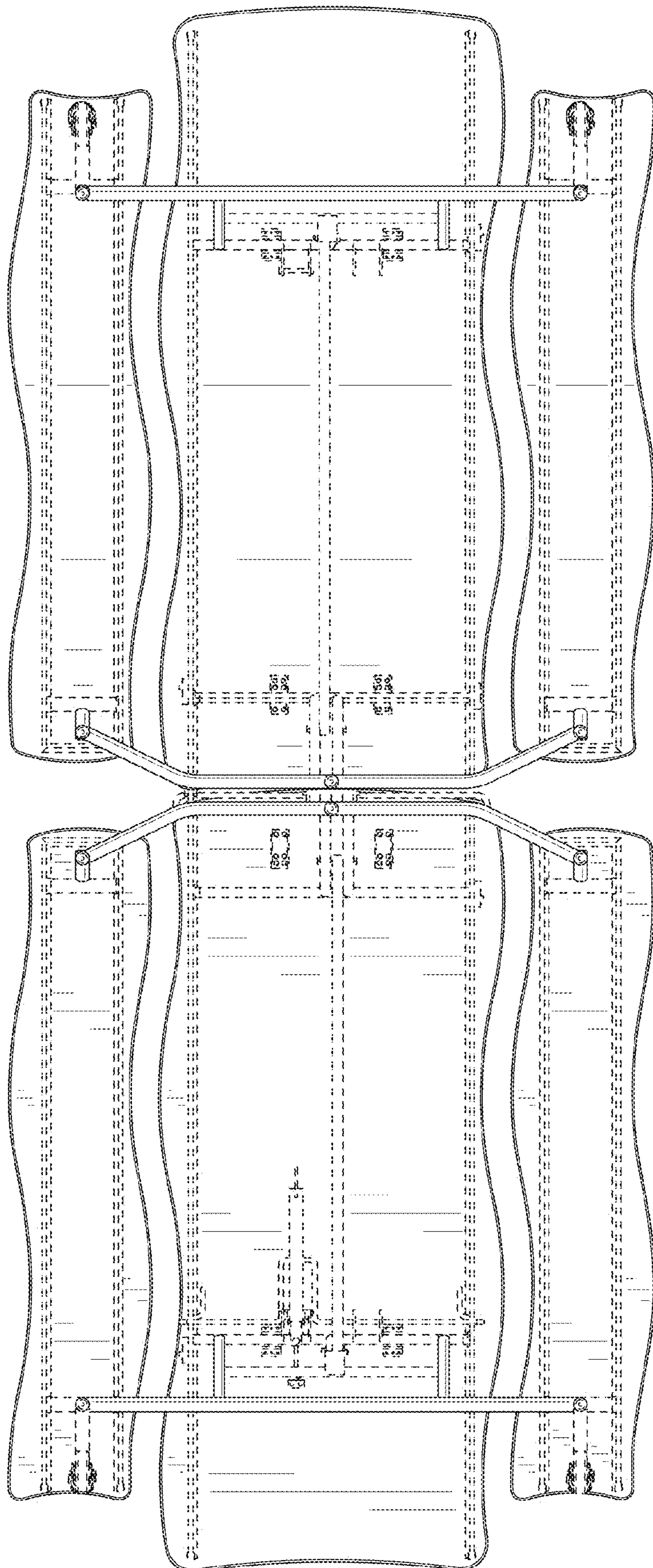


FIG. 7

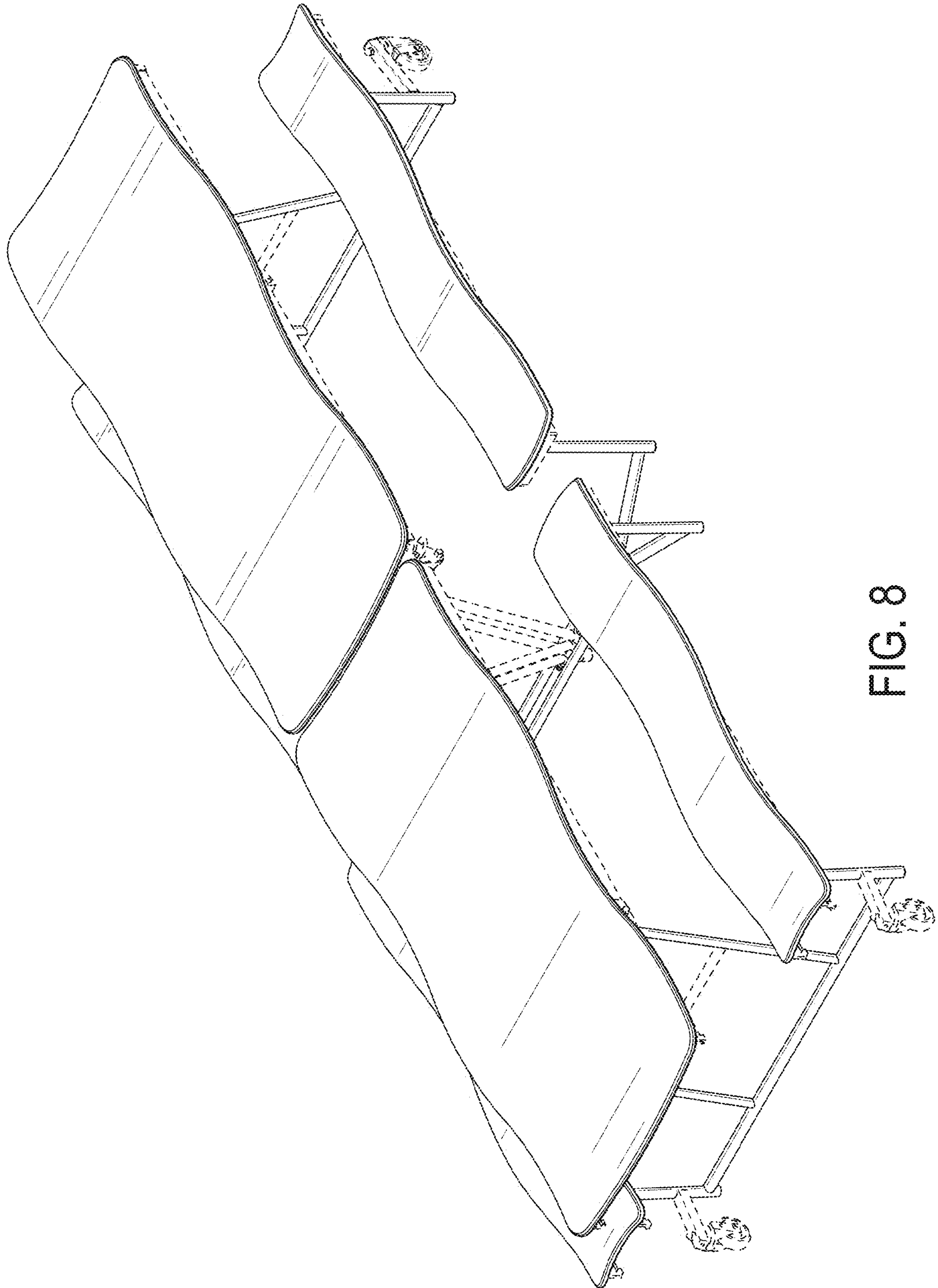


FIG. 8