



US00D926483S

(12) **United States Design Patent** (10) **Patent No.:** **US D926,483 S**
Levy (45) **Date of Patent:** **** *Aug. 3, 2021**

(54) **TABLE**
(71) Applicant: **NPS Public Furniture Corp.**, Clifton, NJ (US)
(72) Inventor: **Elliot Levy**, Passaic, NJ (US)
(73) Assignee: **NPS Public Furniture Corp.**, Clifton, NJ (US)
(*) Notice: This patent is subject to a terminal disclaimer.
(**) Term: **15 Years**
(21) Appl. No.: **29/722,185**
(22) Filed: **Jan. 27, 2020**
(51) **LOC (13) Cl.** **06-01**
(52) **U.S. Cl.**
USPC **D6/337**
(58) **Field of Classification Search**
USPC D6/334, 335, 336, 337, 338, 349, 355, D6/368, 370
CPC A47B 3/002; A47B 3/083; A47B 3/087; A47B 3/14; A47B 23/04; A47B 39/00; A47B 41/00; A47B 83/02; A47B 83/021; A47B 83/0213; A47B 2003/145; A47C 7/002; A47C 7/004; A47C 7/50; A47C 9/025; A47D 1/008; A47D 3/00; A47D 3/001; A47D 3/005
See application file for complete search history.

(56) **References Cited**
U.S. PATENT DOCUMENTS
D390,381 S 2/1998 Dormon et al.
D439,060 S * 3/2001 Larsen D6/337
D514,830 S * 2/2006 Bue D6/337
D573,360 S * 7/2008 Bue D6/337
D604,520 S * 11/2009 Wegman D6/338
D604,522 S * 11/2009 Wegman D6/338
D637,826 S 5/2011 DeVriendt

D639,572 S * 6/2011 Frobose D6/338
D670,089 S 11/2012 Frobose et al.
D832,604 S 11/2018 Samikkannu
D836,928 S * 1/2019 Samikkannu D6/337
D909,779 S * 2/2021 Samikkannu D6/337
2005/0161984 A1* 7/2005 Bue A47B 3/087
297/158.4
2007/0241591 A1* 10/2007 Bue A47C 9/022
297/142

(Continued)

OTHER PUBLICATIONS

NPS 8' Swerve Mobile Table with Stools [online], [site visited Jun. 9, 2021]. Available from internet, URL:<<https://www.nationalpublicseating.com/products/product-category/single/index.php?id=MSTS8&cat=Mobile+Tables&subcat=Stool+Units>> (Year: 2021).*

(Continued)

Primary Examiner — Cynthia Ramirez
Assistant Examiner — Xavier Marti-Santos
(74) *Attorney, Agent, or Firm* — Weiss & Arons LLP

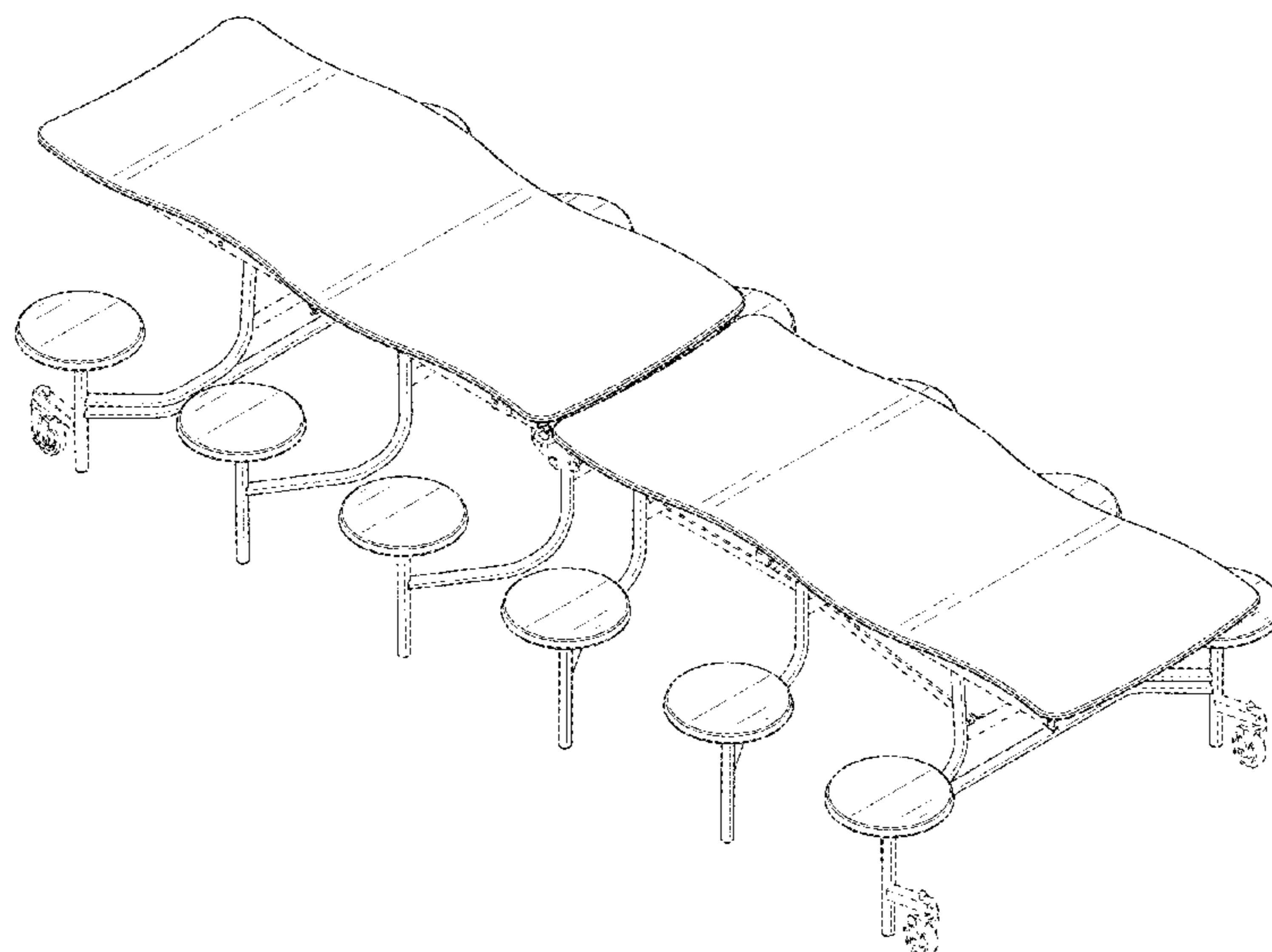
(57) **CLAIM**

The ornamental design for a table, as shown and described.

DESCRIPTION

FIG. 1 is a front, top, right perspective view of the table showing my new design;
FIG. 2 is a front elevational view thereof;
FIG. 3 is a rear elevational view thereof;
FIG. 4 is a right side elevational view thereof;
FIG. 5 is a left side elevational view thereof;
FIG. 6 is a top plan view thereof;
FIG. 7 is a bottom plan view thereof; and,
FIG. 8 is a front, top, left perspective view thereof.
The broken lines in the figures are for the purpose of illustrating portions of the table, which form no part of the claimed design.

1 Claim, 8 Drawing Sheets



(56)

References Cited

U.S. PATENT DOCUMENTS

2012/0013152 A1* 1/2012 Bradley A47B 3/14
297/135
2016/0302576 A1* 10/2016 Dickey A47C 7/16
2017/0245632 A1* 8/2017 Dickey A47B 3/087

OTHER PUBLICATIONS

NPS 8' Bedrock Mobile Table with Stools [online], [site visited Jun. 9, 2021]. Available from internet, URL:<<https://www.nationalpublicseating.com/products/product-category/single/index.php?id=MBTS8&cat=Mobile+Tables&subcat=Stool+Units>> (Year: 2021).*

Mobile Bench and Stool Table—Wave [online], [site visited Jun. 9, 2021]. Available from internet, URL:<<https://www.amtab.com/mobile-bench-and-stool-table-wave/>> (Year: 2021).*

* cited by examiner

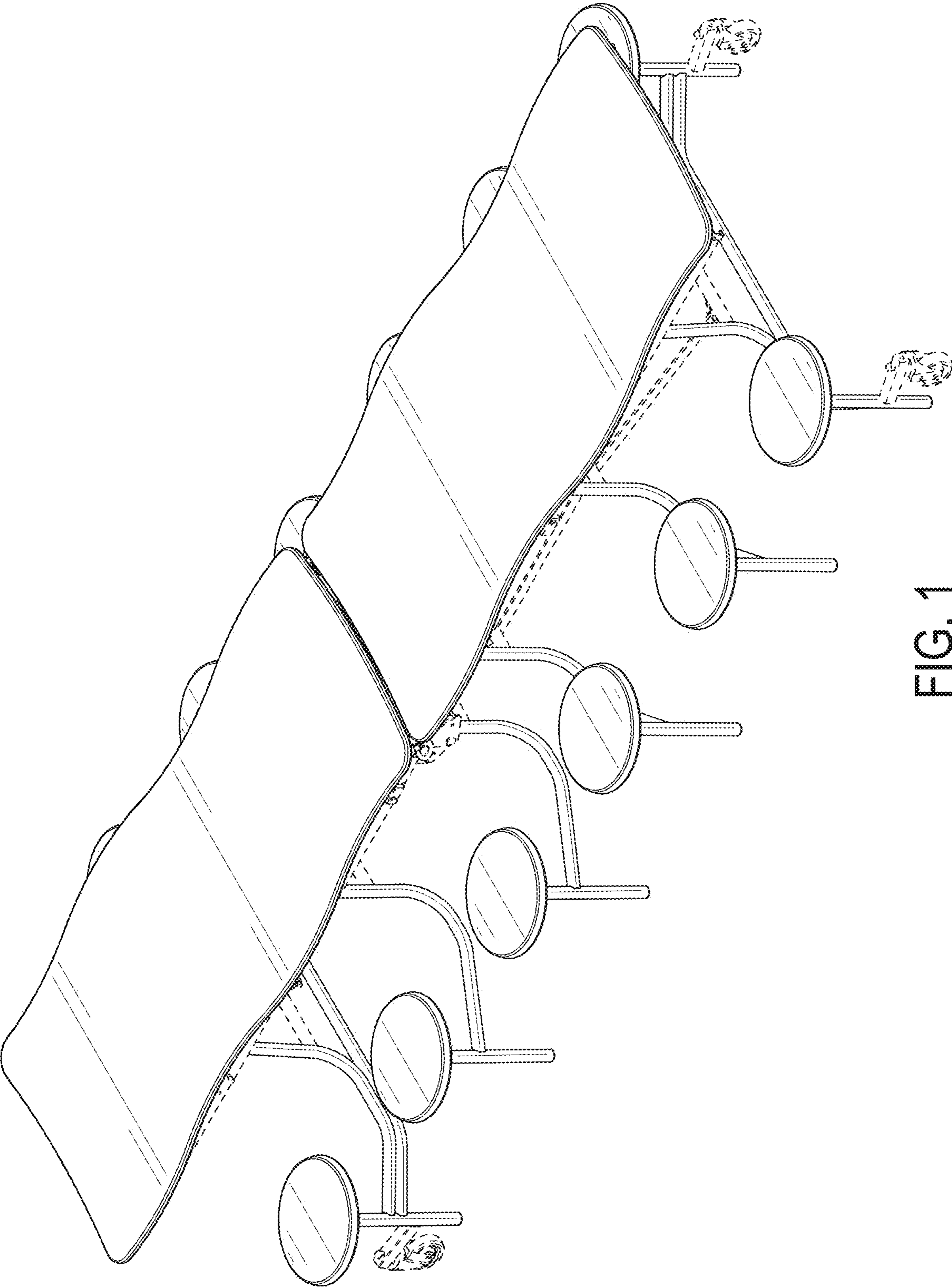


FIG. 1

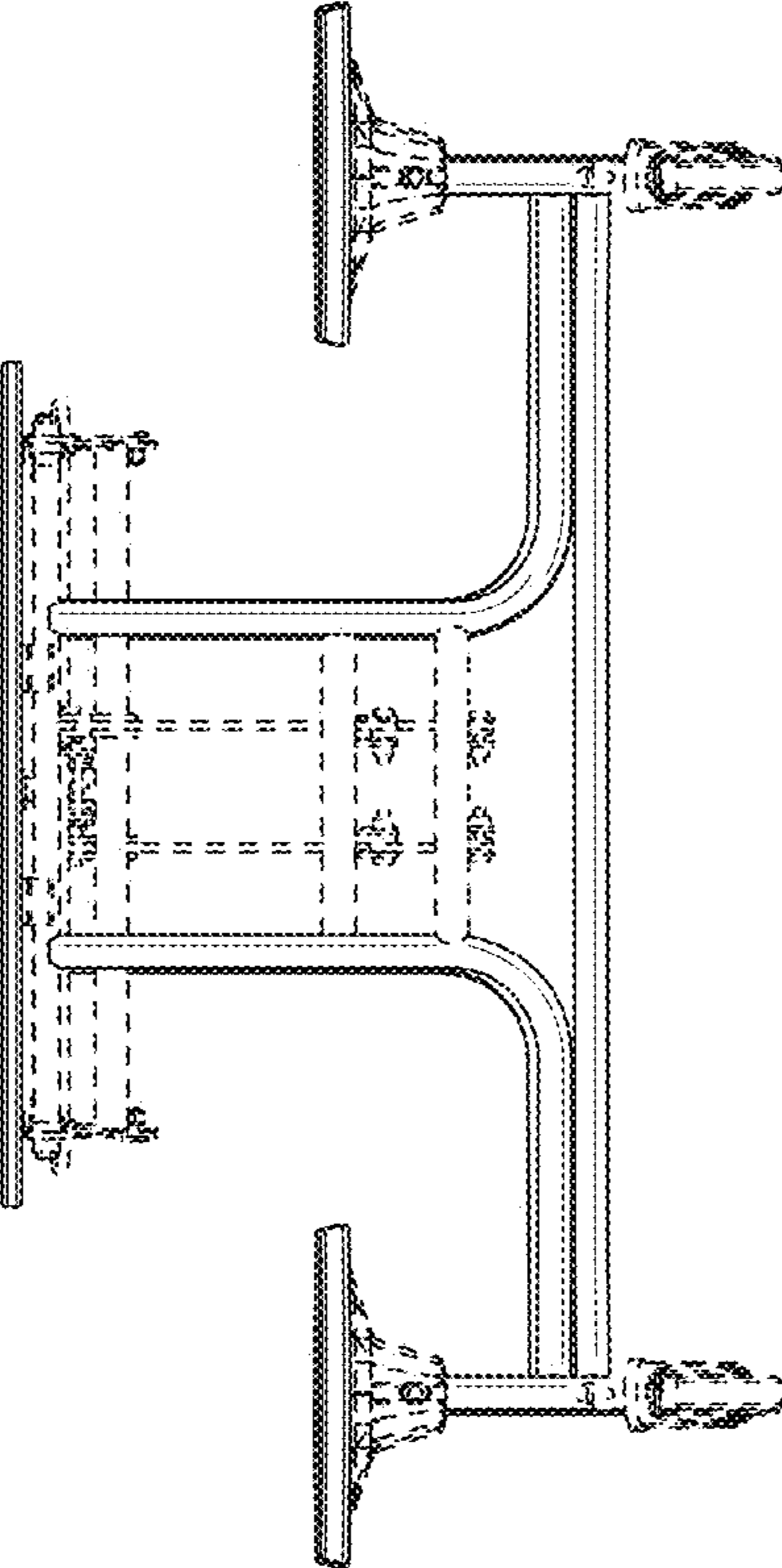


FIG. 2

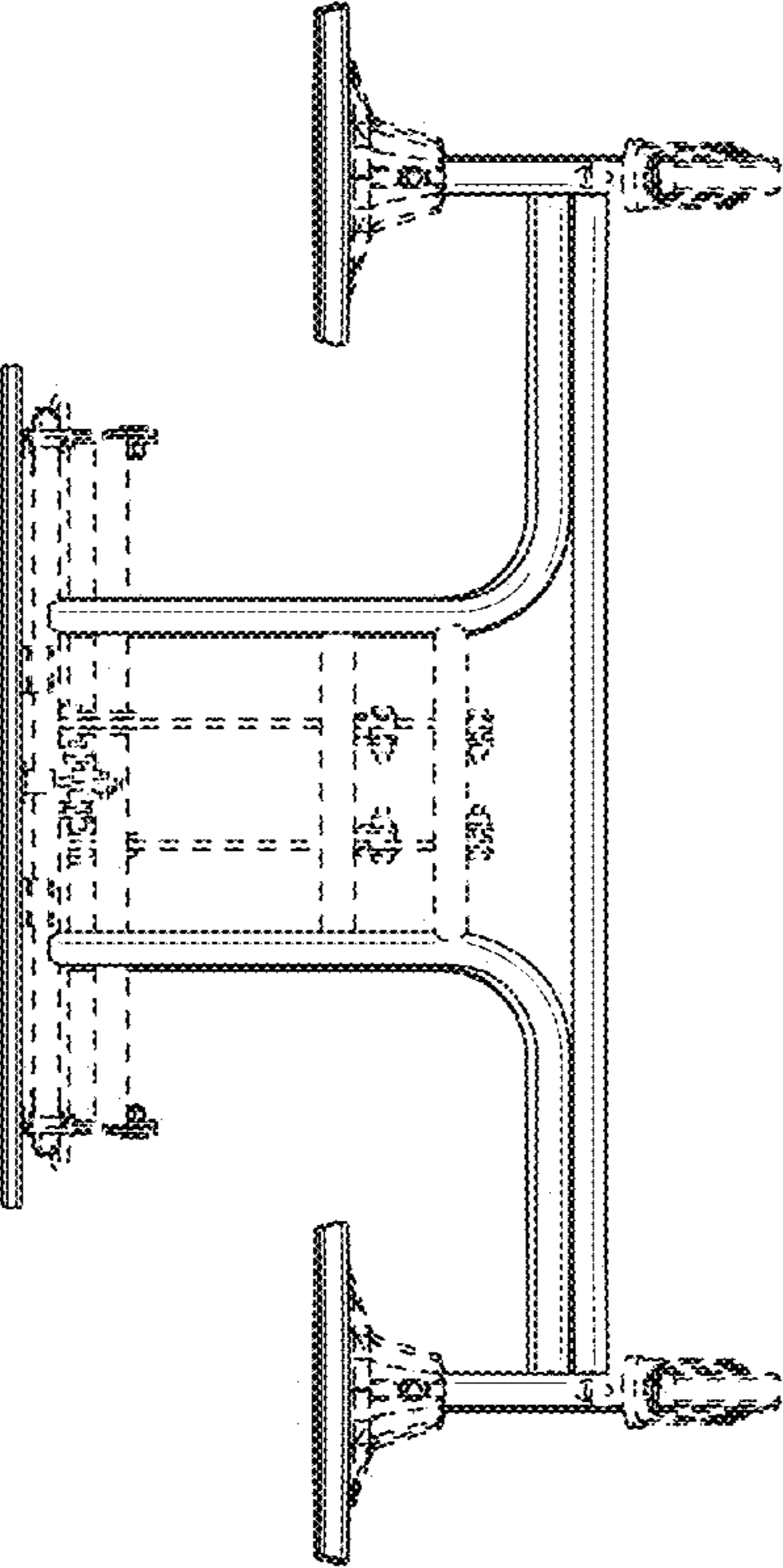


FIG. 3

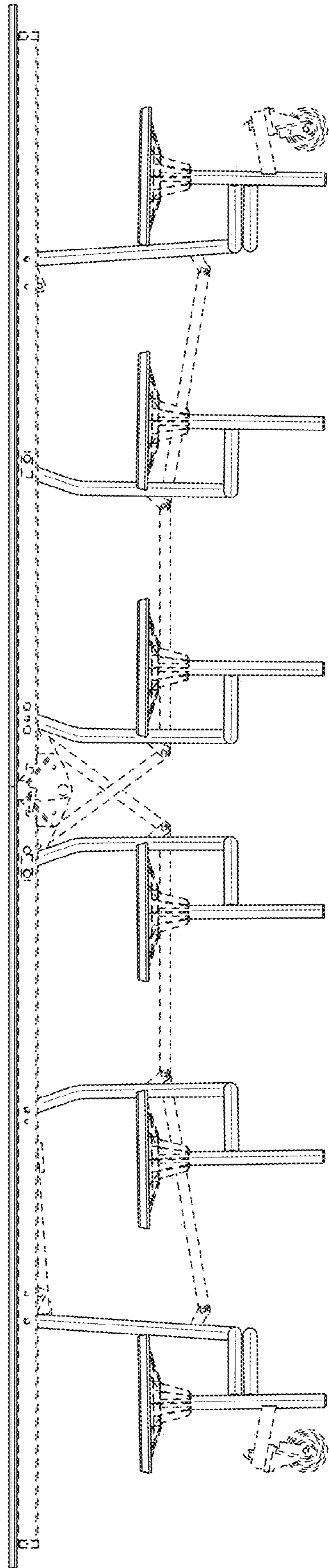


FIG. 4

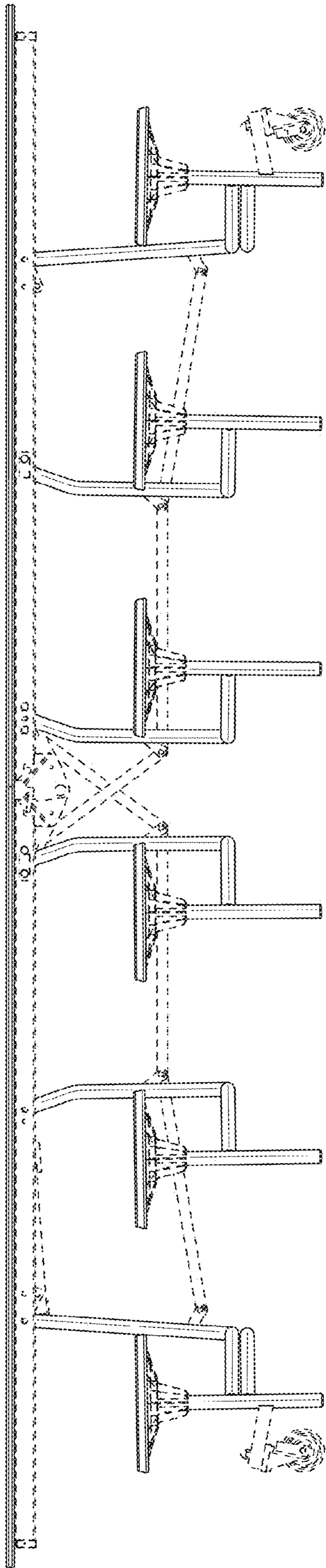


FIG. 5

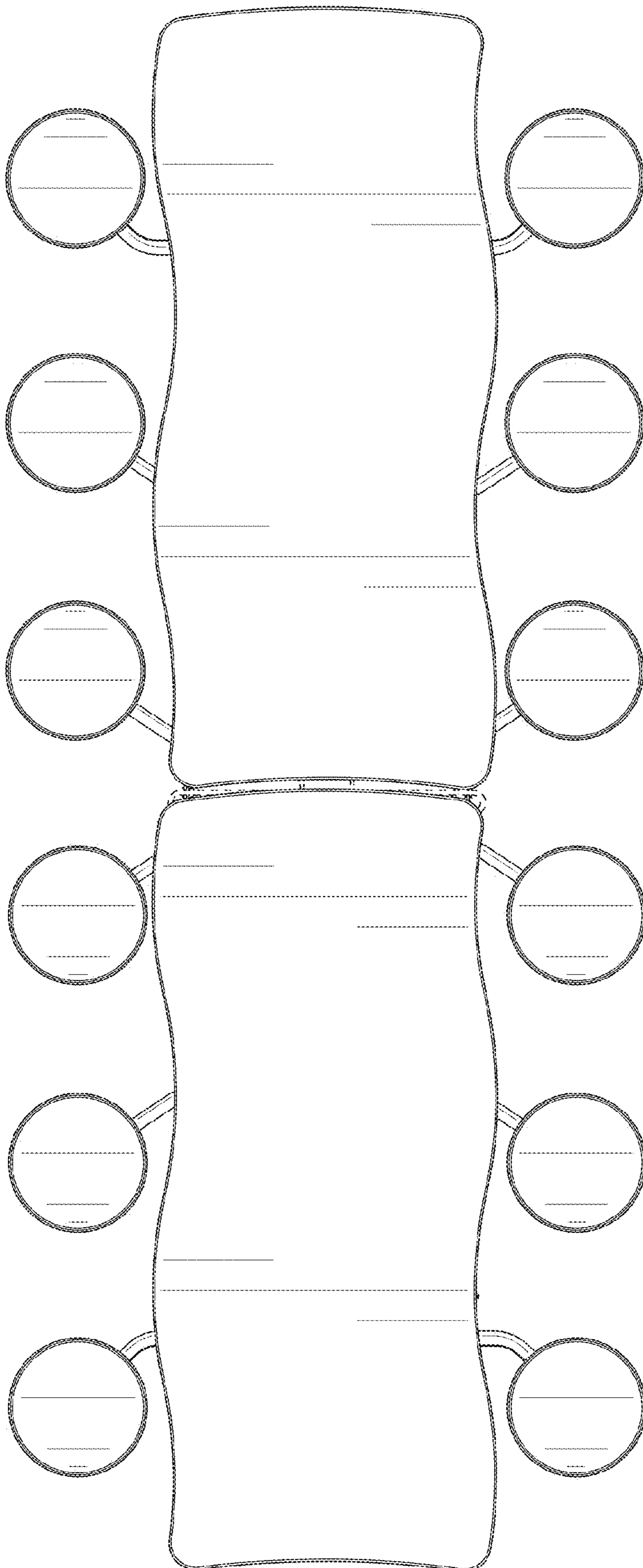


FIG. 6

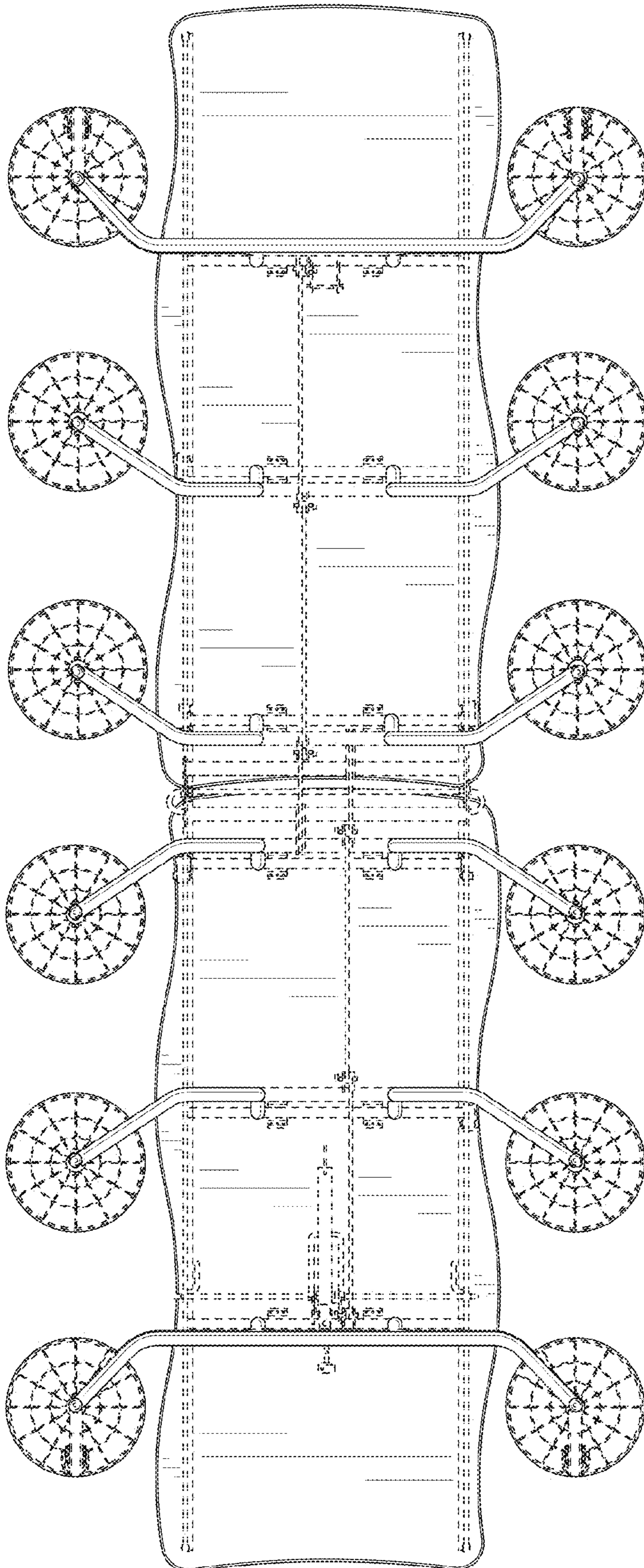


FIG. 7

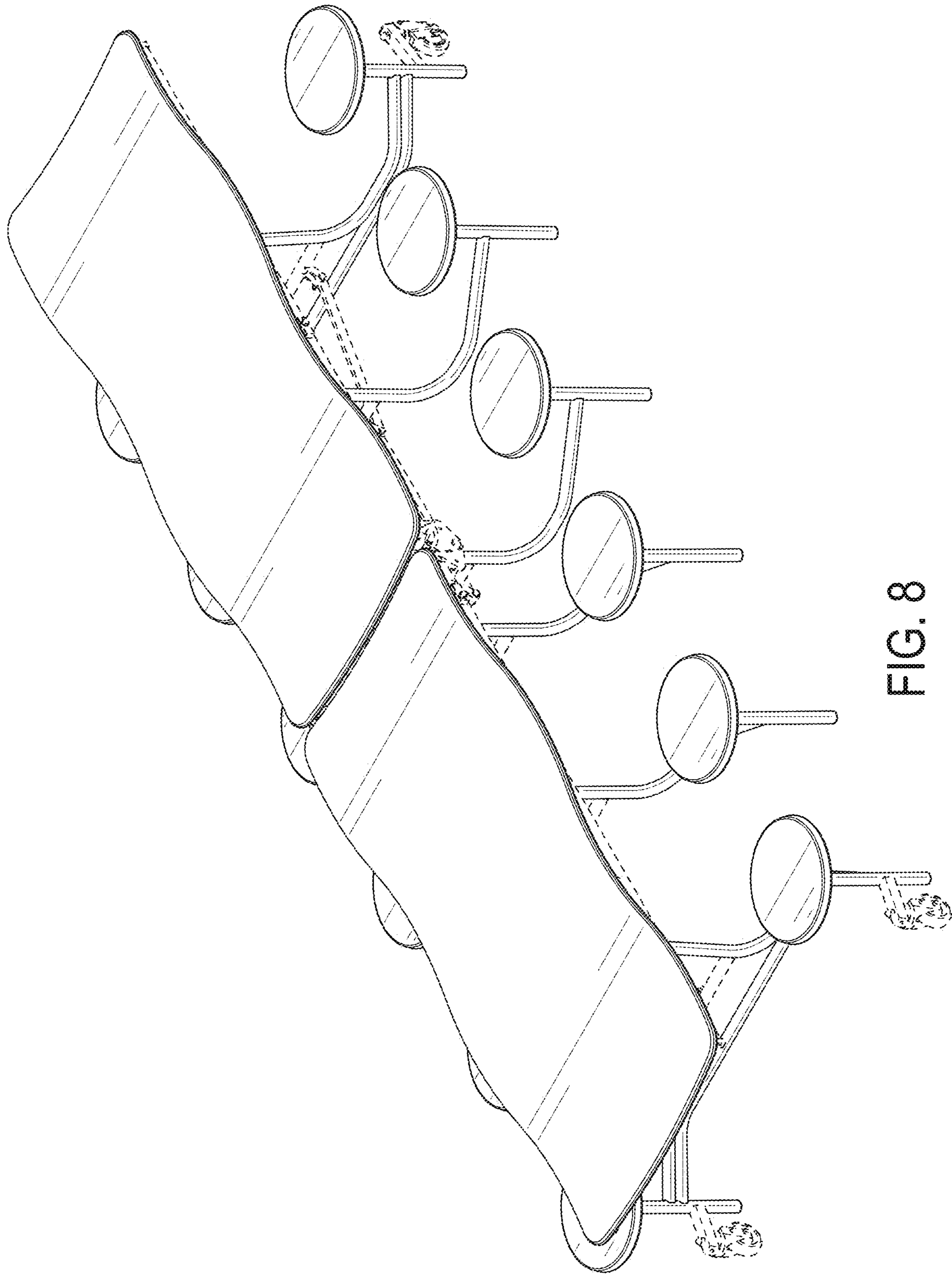


FIG. 8