



US00D926481S

(12) **United States Design Patent** (10) **Patent No.:** **US D926,481 S**
Kiesow (45) **Date of Patent:** **** Aug. 3, 2021**

(54) **TABLE**

(71) Applicant: **NPS Public Furniture Corp.**, Clifton, NJ (US)

(72) Inventor: **Charles Phillip Kiesow**, Jersey City, NJ (US)

(73) Assignee: **NPS Public Furniture Corp.**, Clifton, NJ (US)

(**) Term: **15 Years**

(21) Appl. No.: **29/722,181**

(22) Filed: **Jan. 27, 2020**

(51) **LOC (13) Cl.** **06-01**

(52) **U.S. Cl.**
USPC **D6/337**

(58) **Field of Classification Search**
USPC D6/334, 335, 336, 337, 338, 349, 355, D6/368, 370
CPC A47B 3/002; A47B 3/083; A47B 3/087; A47B 3/14; A47B 23/04; A47B 39/00; A47B 41/00; A47B 83/02; A47B 83/021; A47B 83/0213; A47B 2003/145; A47C 7/002; A47C 7/004; A47C 7/50; A47C 9/025; A47D 1/008; A47D 3/00; A47D 3/001; A47D 3/005

See application file for complete search history.

(56) **References Cited**

U.S. PATENT DOCUMENTS

D390,381 S	2/1998	Dormon et al.	
D439,060 S *	3/2001	Larsen	D6/337
D514,830 S *	2/2006	Bue	D6/337
D573,360 S *	7/2008	Bue	D6/337
D604,520 S *	11/2009	Wegman	D6/338
D604,522 S *	11/2009	Wegman	D6/338
D637,826 S	5/2011	DeVriendt	
D639,572 S *	6/2011	Frobose	D6/338
D670,089 S	11/2012	Frobose et al.	

D832,604 S	11/2018	Samikkannu	
D836,928 S *	1/2019	Samikkannu	D6/337
D909,779 S *	2/2021	Samikkannu	D6/337
2005/0161984 A1 *	7/2005	Bue	A47B 3/087 297/158.4
2007/0241591 A1 *	10/2007	Bue	A47C 9/022 297/142
2012/0013152 A1 *	1/2012	Bradley	A47B 3/14 297/135

(Continued)

OTHER PUBLICATIONS

NPS 8" Swerve Mobile Table with Stools [online], [site visited Jun. 9, 2021], Available from internet, URL:<<https://www.nationalpublicseating.com/products/product-category/single/index.php?id=MSTS8&cat=Mobile+Tables&subcat=Stool+Units>> (Year: 2021).*

(Continued)

Primary Examiner — Cynthia Ramirez
Assistant Examiner — Xavier Marti-Santos
(74) *Attorney, Agent, or Firm* — Weiss & Arons LLP

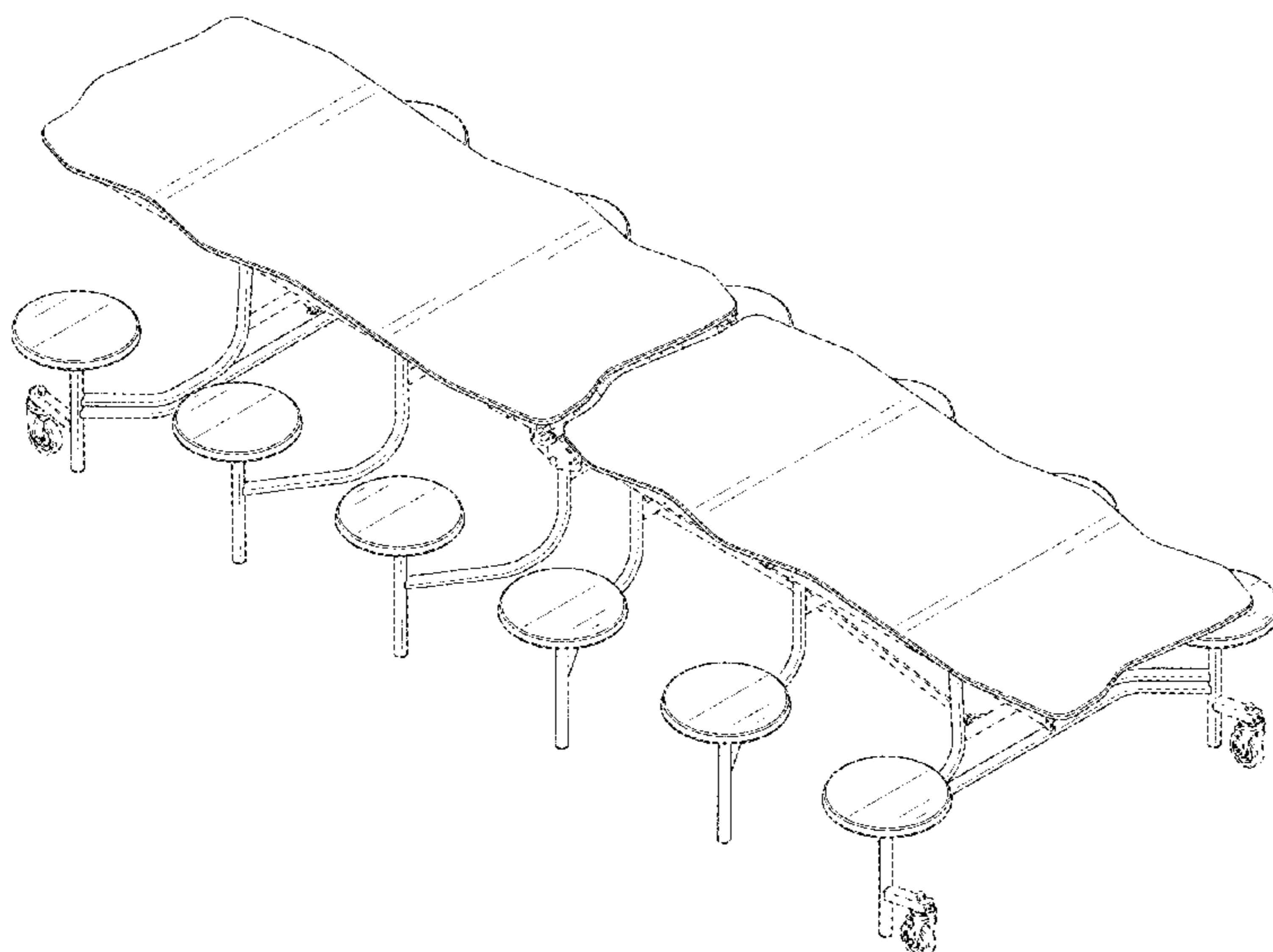
(57) **CLAIM**

The ornamental design for a table, as shown and described.

DESCRIPTION

FIG. 1 is a front, top, right perspective view of the table showing my new design;
FIG. 2 is a front elevational view thereof;
FIG. 3 is a rear elevational view thereof;
FIG. 4 is a right side elevational view thereof;
FIG. 5 is a left side elevational view thereof;
FIG. 6 is a top plan view thereof;
FIG. 7 is a bottom plan view thereof; and,
FIG. 8 is a front, top, left perspective view thereof.
The broken lines in the figures are for the purpose of illustrating portions of the table, which form no part of the claimed design.

1 Claim, 8 Drawing Sheets



(56)

References Cited

U.S. PATENT DOCUMENTS

2016/0302576 A1* 10/2016 Dickey A47C 7/16
2017/0245632 A1* 8/2017 Dickey A47B 3/087

OTHER PUBLICATIONS

NPS 8" Bedrock Mobile Table with Stools [online], [site visited Jun. 9, 2021], Available from internet, URL:<<https://www.nationalpublicseating.com/products/product-category/single/index.php?id=MBTS8&cat=Mobile+Tables&subcat=Stool+Units>> (Year: 2021).*

Mobile Bench and Stool Table—Wave [online], [site visited Jun. 9, 2021], Available from internet, URL:<<https://www.amtab.com/mobile-bench-and-stool-table-wave/>> (Year: 2021).*

* cited by examiner

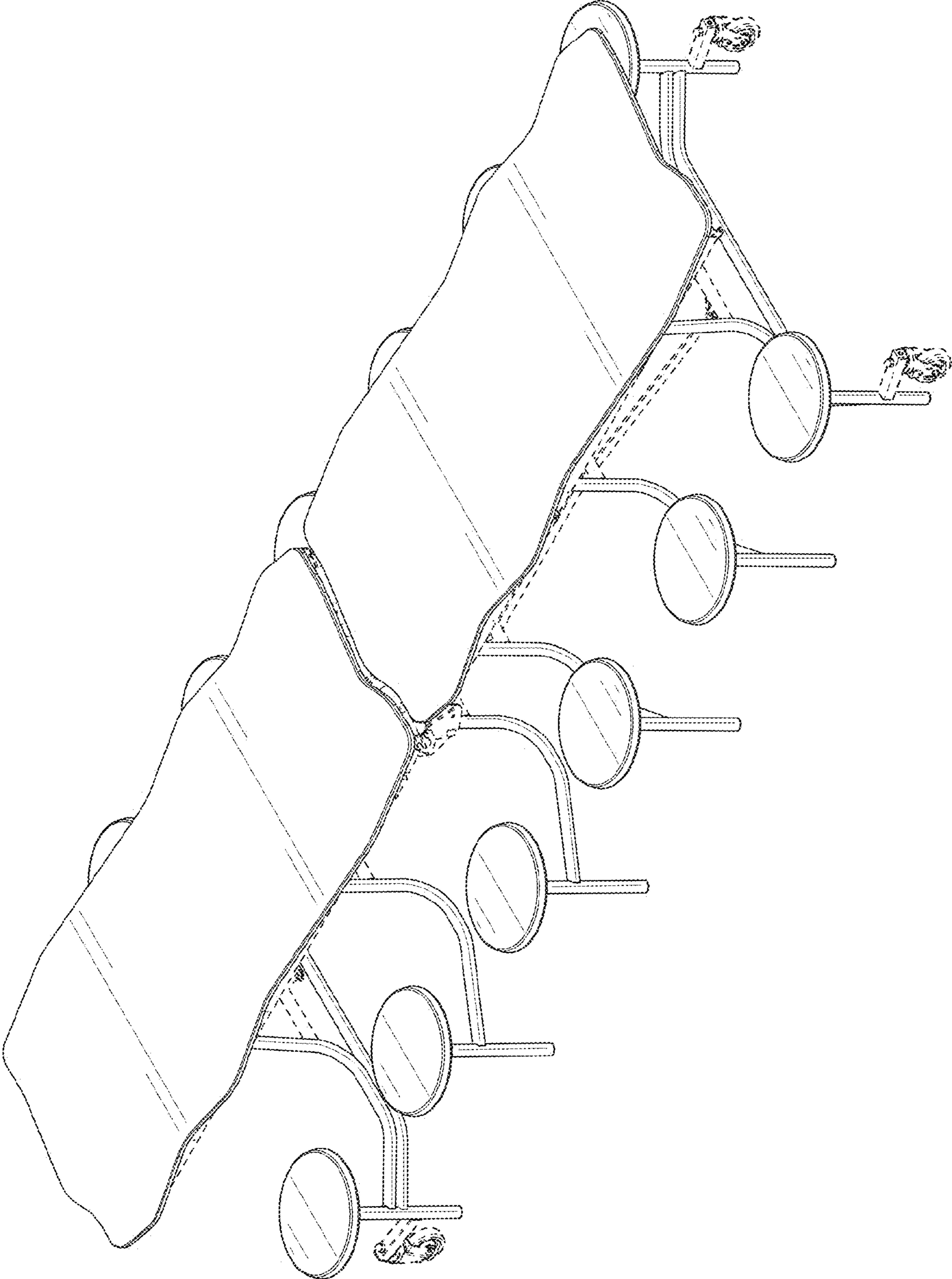


FIG. 1

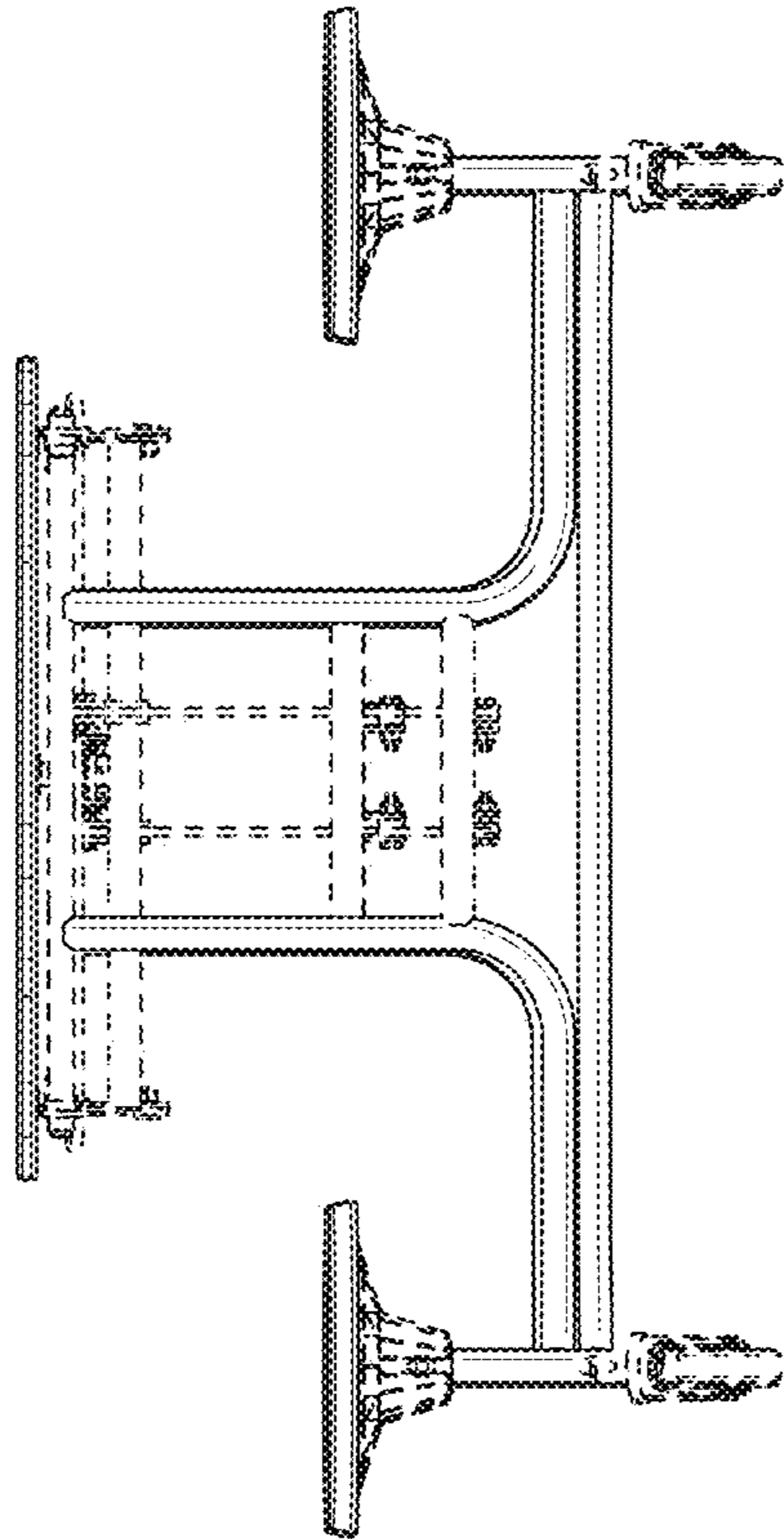


FIG. 2

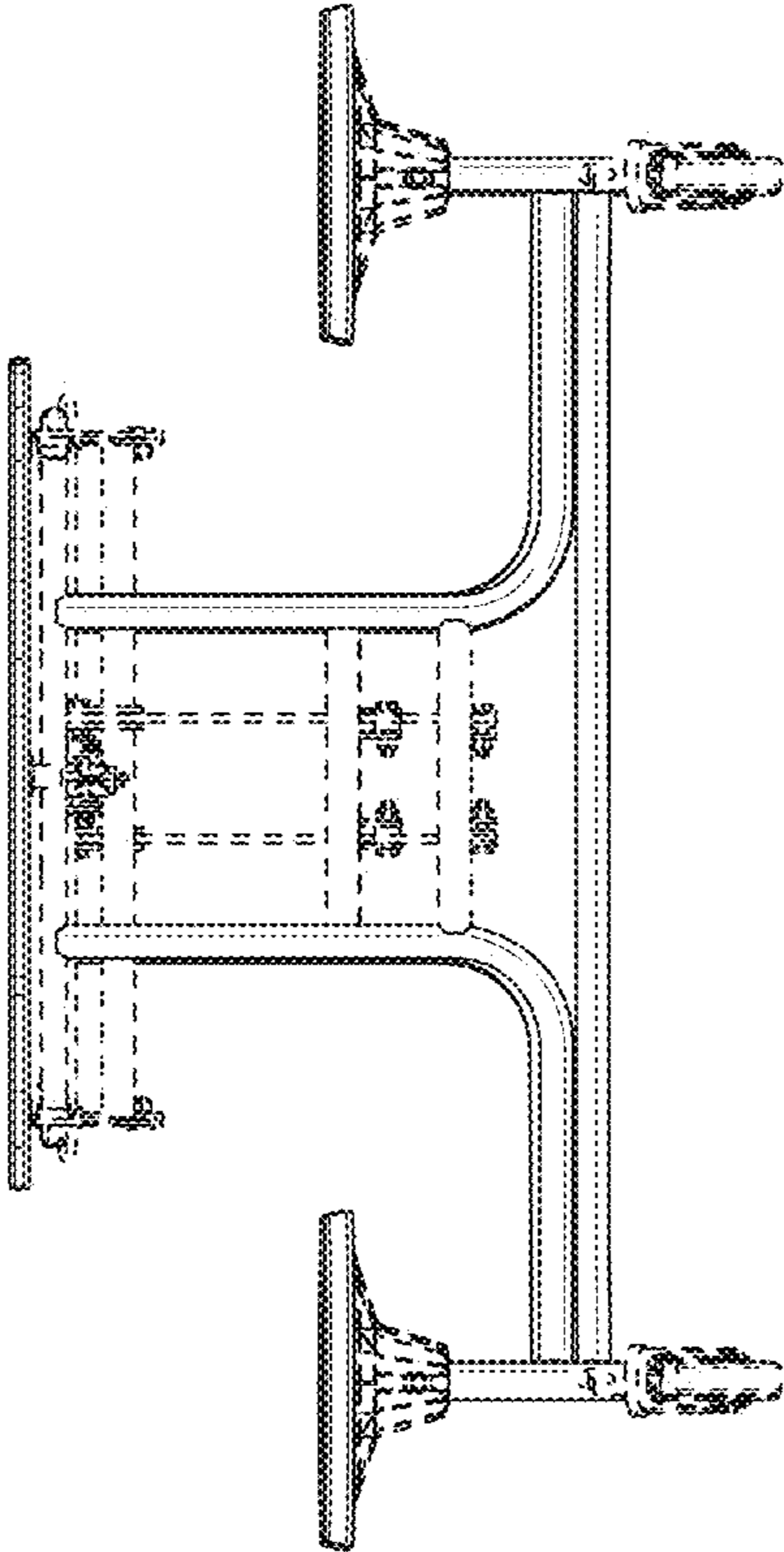


FIG. 3

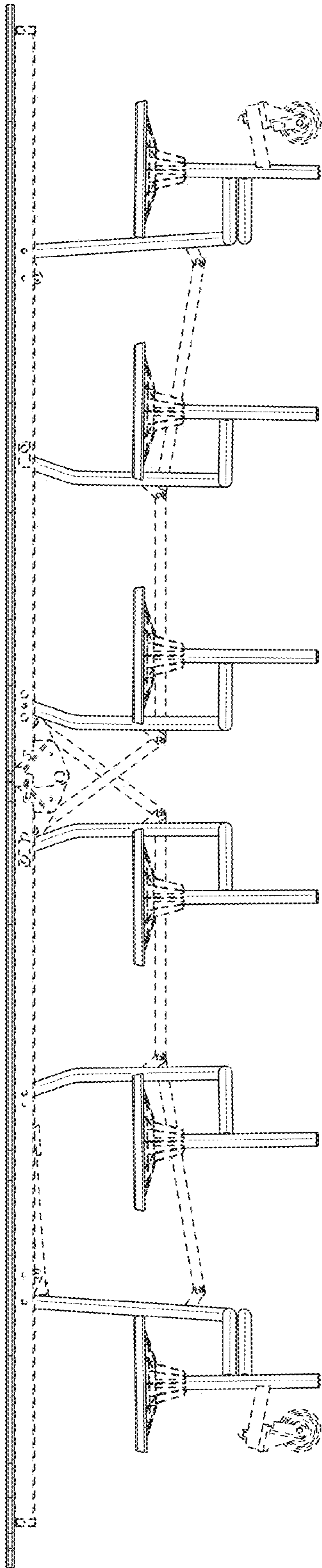


FIG. 4

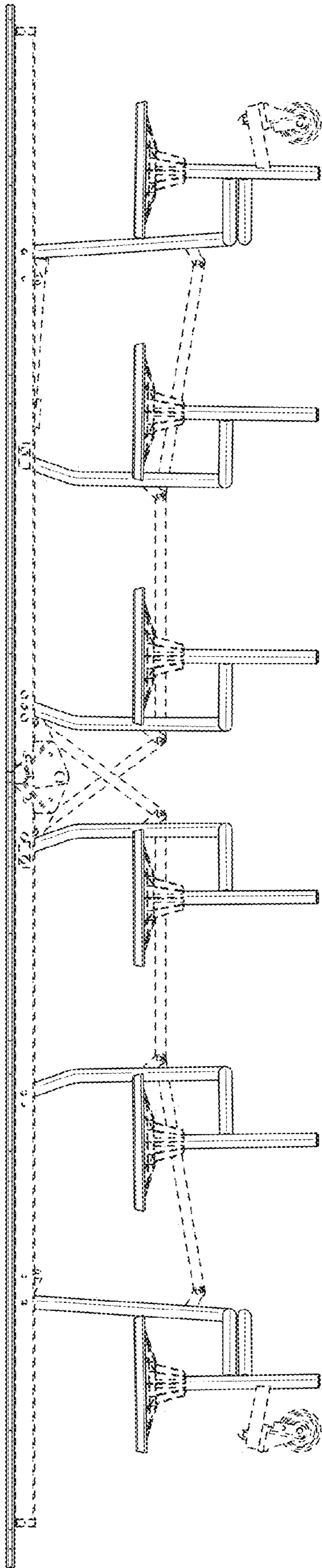


FIG. 5

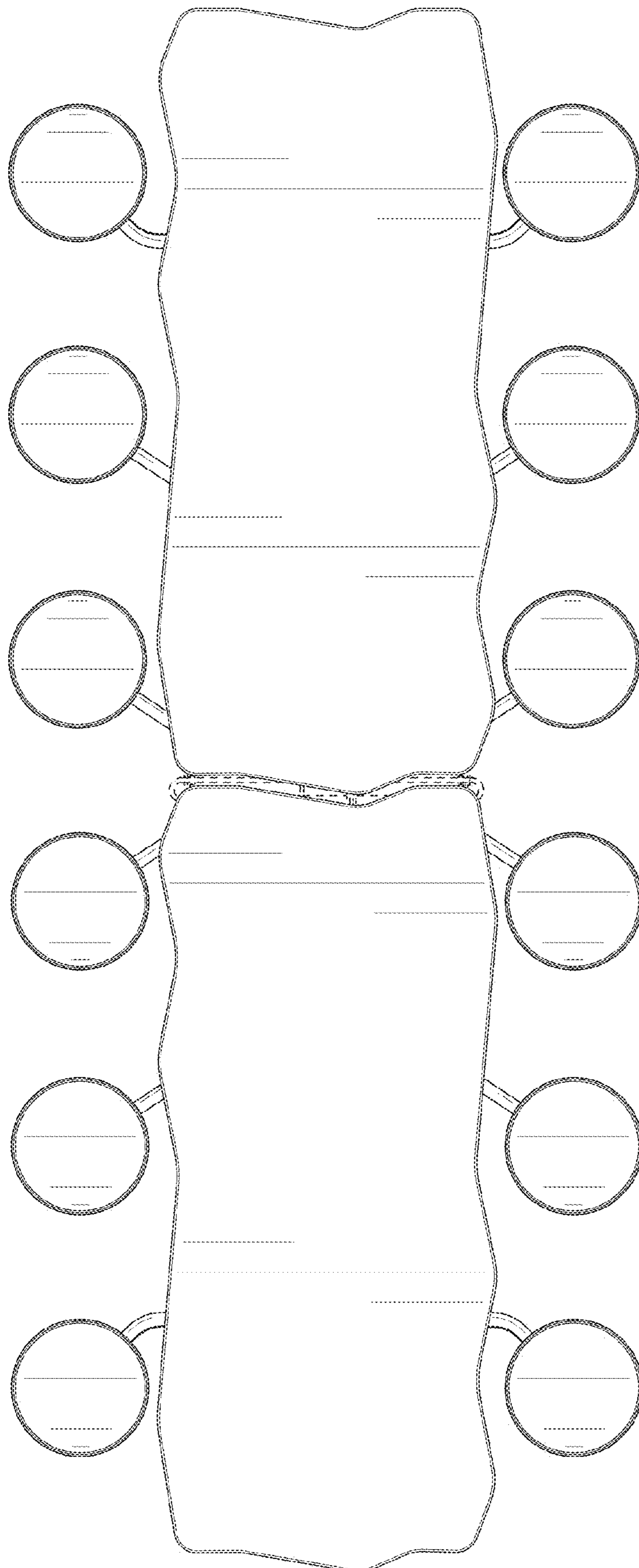


FIG. 6

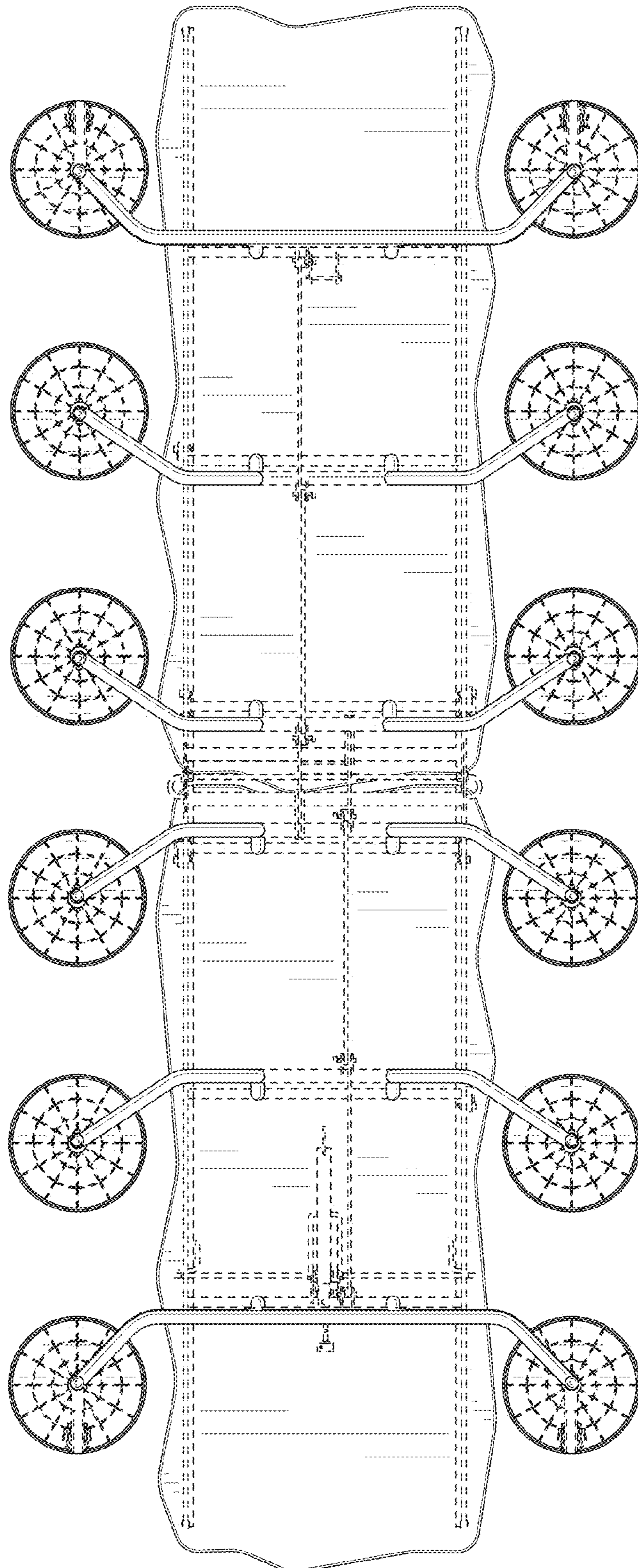


FIG. 7

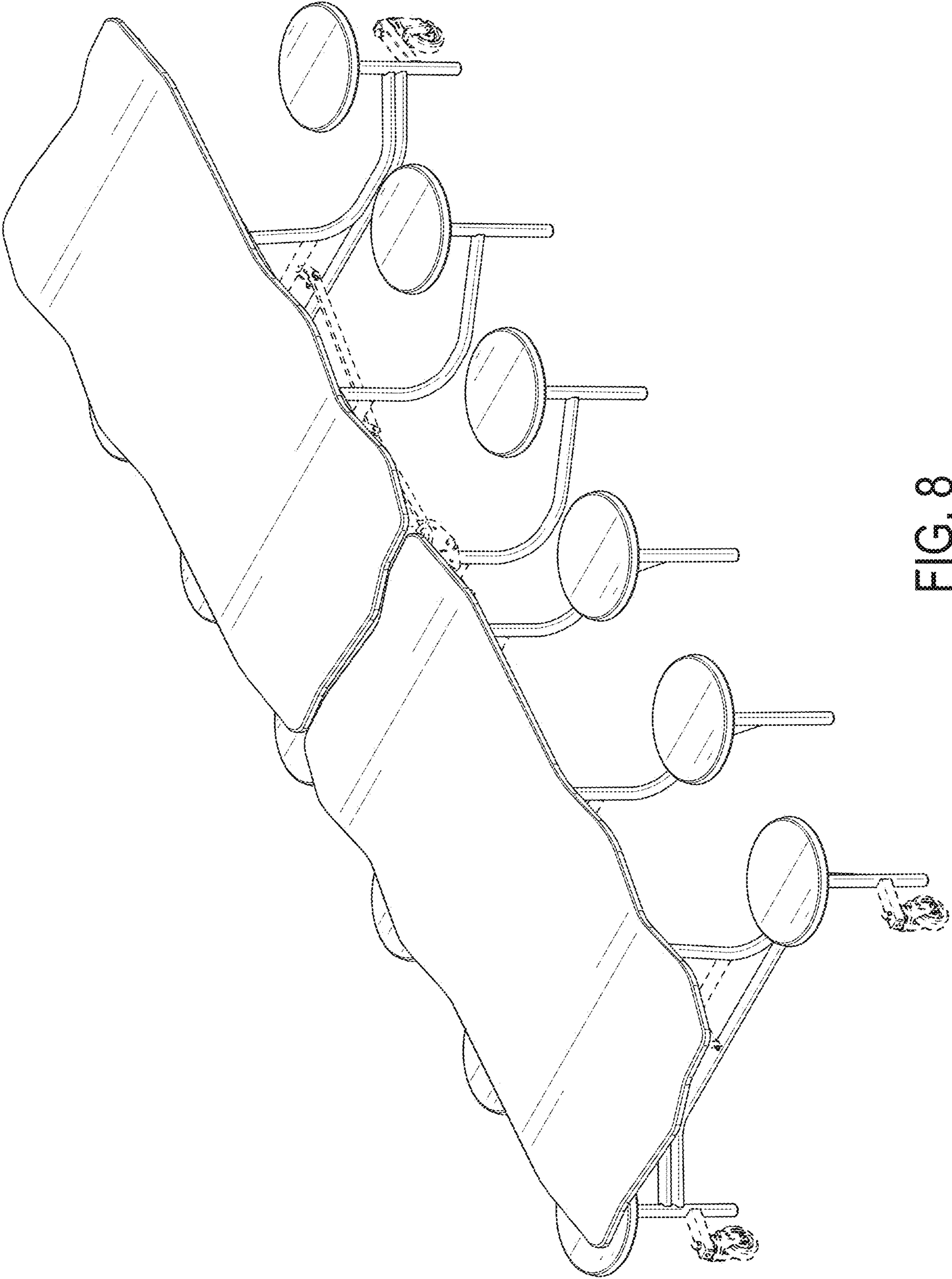


FIG. 8