



US00D926480S

(12) **United States Design Patent**  
**Hughes et al.**

(10) **Patent No.:** **US D926,480 S**

(45) **Date of Patent:** **\*\* Aug. 3, 2021**

- (54) **DISPLAY HOOK**
  - (71) Applicant: **EVERY DENNISON RETAIL INFORMATION SERVICES, LLC**, Mentor, OH (US)
  - (72) Inventors: **Caroline Hughes**, Edwalton (GB); **Daniel Kennedy**, Northampton (GB)
  - (73) Assignee: **Avery Dennison Retail Information Services, LLC**, Mentor, OH (US)
  - (\*\*) Term: **15 Years**
  - (21) Appl. No.: **29/697,237**
  - (22) Filed: **Jul. 5, 2019**
  - (51) **LOC (13) Cl.** ..... **06-08**
  - (52) **U.S. Cl.**  
USPC ..... **D6/315**
  - (58) **Field of Classification Search**  
USPC ..... D6/315-328  
CPC ..... A47G 25/28; A47G 25/32; A47G 25/487; A47G 25/26; A47G 25/4023; A47G 25/20; A47G 25/481; A47G 25/743; A47G 25/442; A47G 25/30; A47G 25/48; A47G 25/36; A47G 25/24; A47G 25/16; A47G 25/14; A47G 25/40; A47G 25/52; A47G 25/70; A47G 25/4038; A47G 25/1457; A47G 25/06; A47G 2025/484; A47G 25/0685; A47G 25/34; A47G 25/0607; A47G 25/74
- See application file for complete search history.

- 3,085,725 A \* 4/1963 Caparosa ..... A47G 25/743 223/87
- D218,847 S 9/1970 Specht
- 3,592,343 A \* 7/1971 Swett ..... A47G 25/743 211/123
- D226,547 S \* 3/1973 Iso ..... D6/315
- D226,752 S \* 4/1973 Iso ..... D8/373
- D245,748 S \* 9/1977 Ostroll ..... D6/315
- D251,891 S 5/1979 Solomon
- D255,066 S \* 5/1980 Hadgis ..... 141/392
- D272,494 S 2/1984 Mahowald
- D278,291 S \* 4/1985 Gurule ..... D6/328
- D283,273 S 4/1986 Rhyne
- D296,046 S 6/1988 Marshall
- 4,759,440 A 7/1988 Kolton et al.
- 4,823,962 A 4/1989 Arias
- 4,940,146 A 7/1990 Kolton et al.
- 5,005,742 A 4/1991 Smith
- 5,027,945 A 7/1991 Wilkins

(Continued)

**FOREIGN PATENT DOCUMENTS**

- CN 201468896 U 5/2010
- GB 2325151 11/1998

(Continued)

*Primary Examiner* — Lauren R Calve

(57) **CLAIM**

The ornamental design for a display hook, as shown and described.

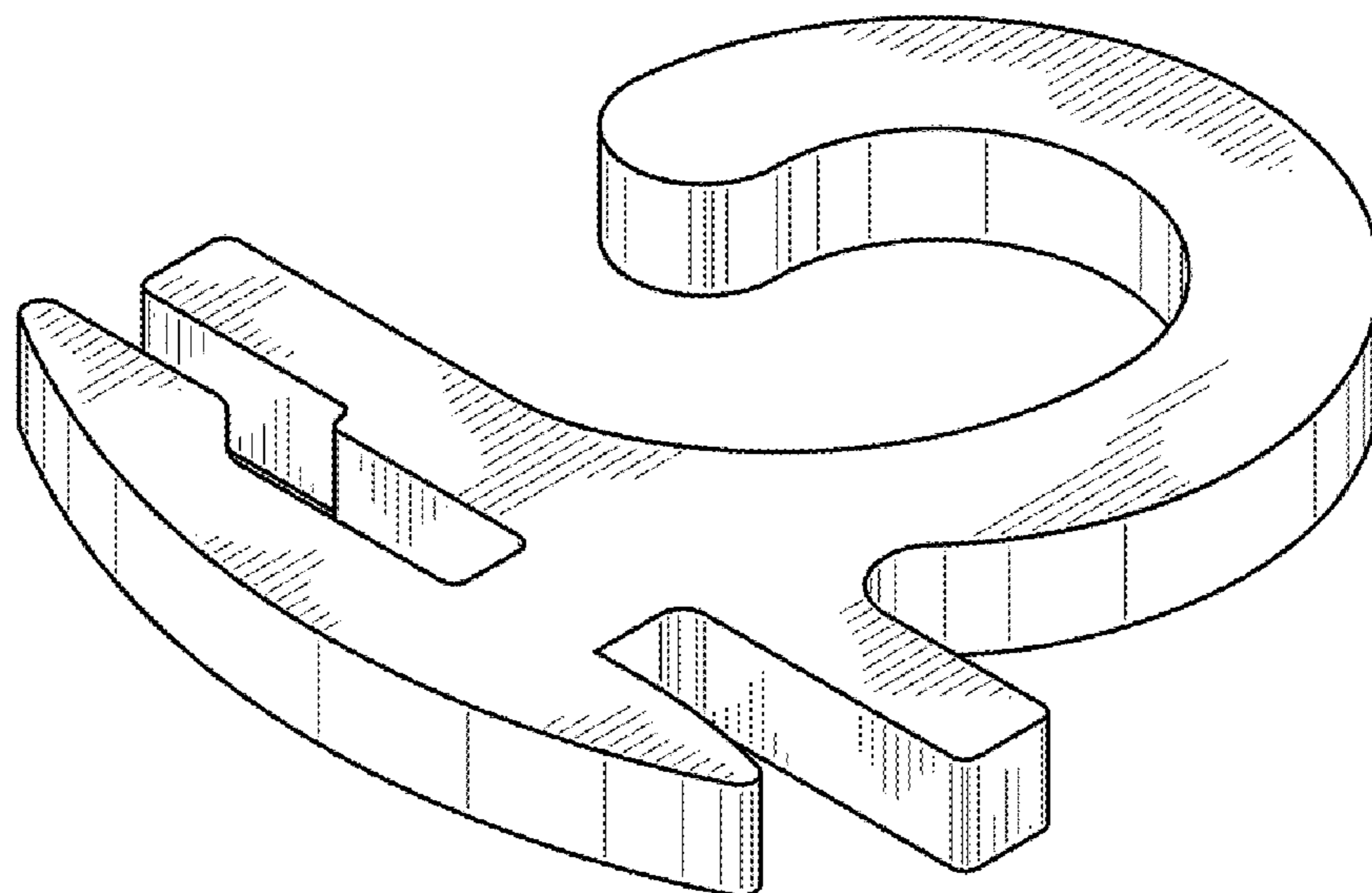
**DESCRIPTION**

FIG. 1 is an isometric view of a display hook, showing our design; and  
 FIG. 2 is a front view thereof;  
 FIG. 3 is a rear view thereof;  
 FIG. 4 is a left side view thereof;  
 FIG. 5 is a right side view thereof;  
 FIG. 6 is a top view thereof; and,  
 FIG. 7 is a bottom view thereof.

**1 Claim, 5 Drawing Sheets**

(56) **References Cited**  
**U.S. PATENT DOCUMENTS**

- 2,151,472 A 3/1939 Hubbard
- D181,917 S \* 1/1958 Tupper ..... D6/327
- D182,259 S \* 3/1958 Tupper ..... D6/315
- D191,647 S 10/1961 Seeger
- 3,081,881 A 3/1963 Seeger



(56)

References Cited

U.S. PATENT DOCUMENTS

D321,288 S 11/1991 Nichol, Jr.  
 5,163,590 A 11/1992 Lawler et al.  
 D331,425 S 12/1992 Rhyne  
 5,505,351 A 4/1996 Najarian  
 5,615,810 A 4/1997 Kolton et al.  
 D416,487 S 11/1999 Shapiro  
 5,988,373 A 11/1999 Yates  
 D434,981 S 12/2000 Shapiro  
 D440,873 S 4/2001 Van Horn  
 D474,353 S 5/2003 Gist Skinner  
 7,219,821 B2 5/2007 Weal et al.  
 D545,217 S 6/2007 Jeric et al.  
 D560,372 S \* 1/2008 Lee ..... D6/315  
 7,328,821 B2 2/2008 Dedo  
 D590,245 S 4/2009 Nanda  
 D646,151 S 10/2011 Potts et al.  
 D649,365 S \* 11/2011 Young ..... D6/318  
 D708,861 S 7/2014 Doenges et al.  
 D714,138 S 9/2014 Genender  
 D718,962 S 12/2014 Brett  
 9,022,235 B2 5/2015 Kalinsky  
 D735,027 S 7/2015 Fildan et al.  
 D736,619 S 8/2015 Parkes  
 D747,194 S 1/2016 Melistas  
 D770,276 S 11/2016 Bjorsing  
 D774,883 S 12/2016 Moskovich et al.

9,585,496 B2 3/2017 Strassburger et al.  
 D786,063 S 5/2017 Choi et al.  
 D793,229 S 8/2017 Meneaud  
 D793,747 S 8/2017 Taylor  
 D799,337 S 10/2017 Bhati  
 D825,329 S 8/2018 Ross  
 D856,144 S 8/2019 Ahearn et al.  
 D858,277 S 9/2019 Toms, Jr. et al.  
 D859,150 S 9/2019 Hughes  
 D863,792 S 10/2019 Ho  
 D865,363 S 11/2019 Liu  
 D878,198 S 3/2020 Hughes  
 D885,909 S 6/2020 Franzone, Jr. et al.  
 D887,855 S 6/2020 Miwa  
 D889,955 S 7/2020 Vandebos  
 D894,732 S 9/2020 Kennedy et al.  
 D898,566 S 10/2020 Hughes et al.  
 D898,567 S 10/2020 Kennedy  
 2006/0191984 A1 8/2006 Hitosugi  
 2008/0230575 A1 9/2008 Nazari  
 2011/0042424 A1 2/2011 Green et al.  
 2011/0247185 A1 10/2011 Bolden et al.

FOREIGN PATENT DOCUMENTS

JP 3021432 U 2/1996  
 JP 8-164053 6/1996

\* cited by examiner

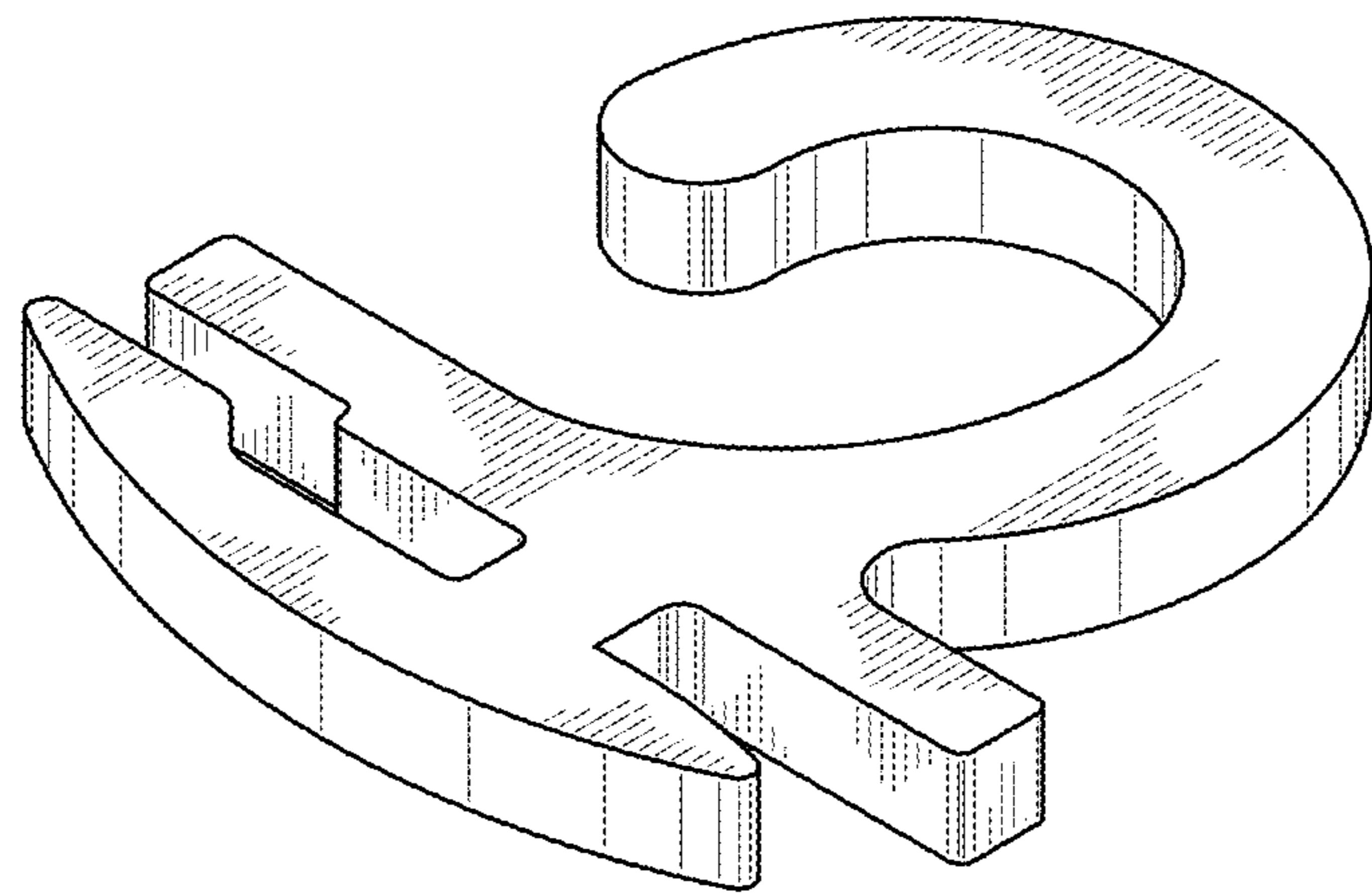


FIG. 1

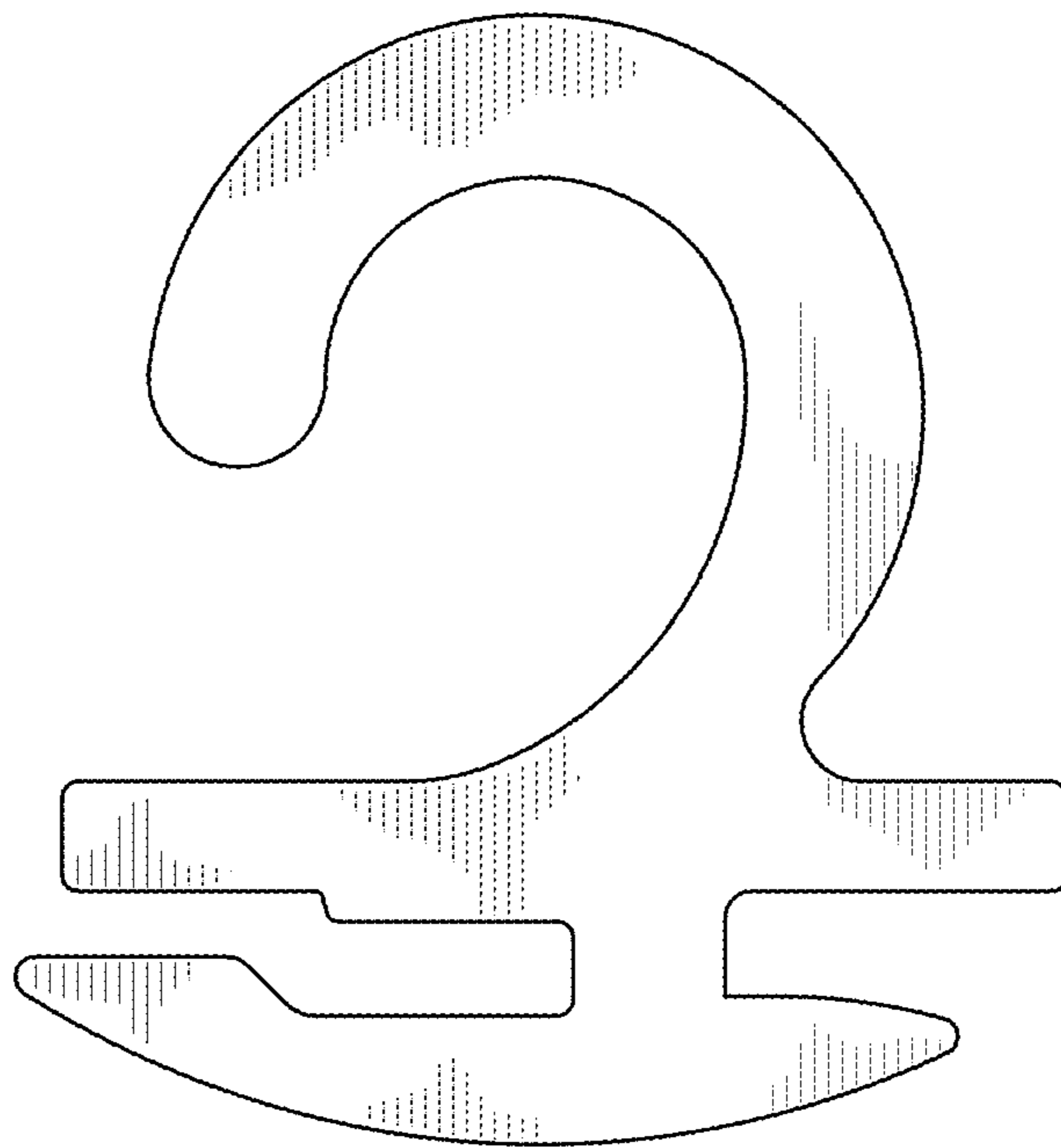


FIG. 2

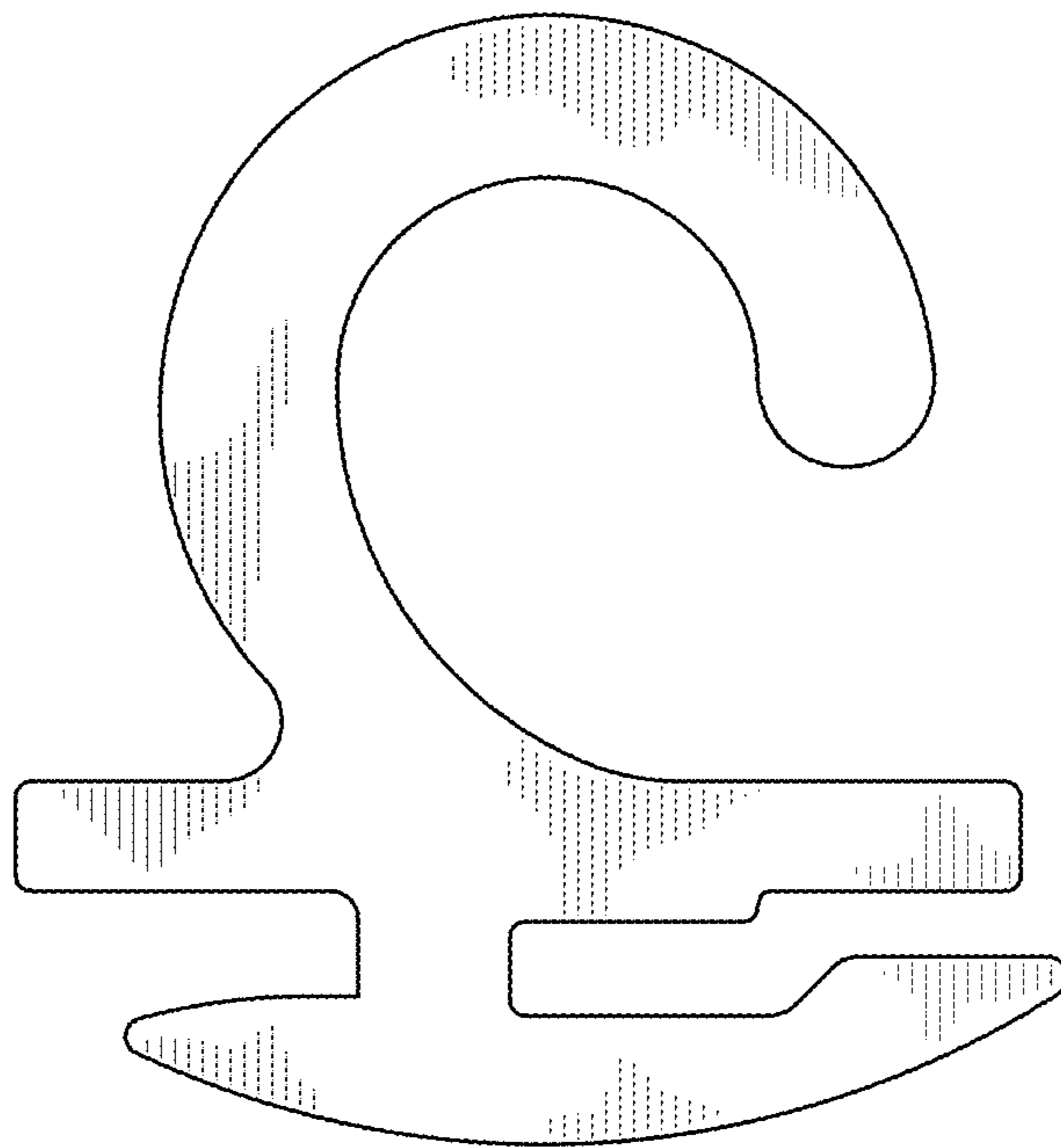


FIG. 3

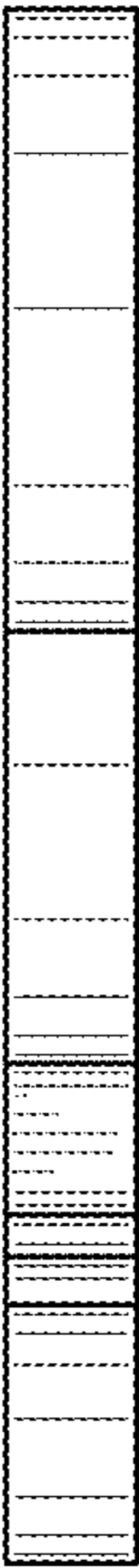


FIG. 4

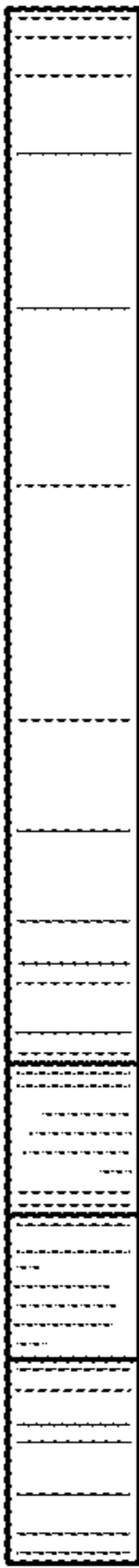


FIG. 5



FIG. 6

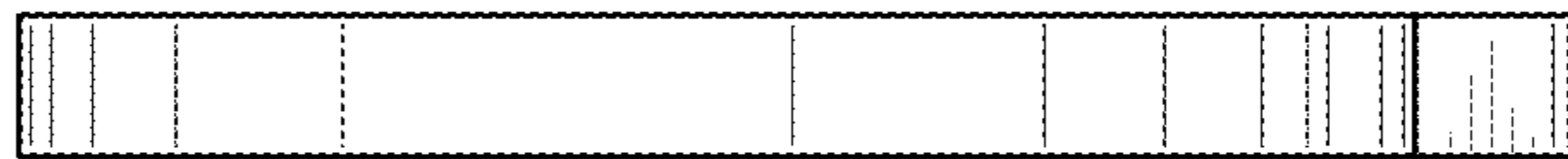


FIG. 7