



US00D926479S

(12) **United States Design Patent**
Hughes et al.

(10) **Patent No.:** **US D926,479 S**

(45) **Date of Patent:** **** Aug. 3, 2021**

- (54) **DISPLAY HOOK**
 - (71) Applicant: **EVERY DENNISON RETAIL INFORMATION SERVICES, LLC**, Mentor, OH (US)
 - (72) Inventors: **Caroline Hughes**, Edwalton (GB); **Daniel Kennedy**, Northampton (GB)
 - (73) Assignee: **Avery Dennison Retail Information Services, LLC**, Mentor, OH (US)
 - (**) Term: **15 Years**
 - (21) Appl. No.: **29/697,230**
 - (22) Filed: **Jul. 5, 2019**
 - (51) **LOC (13) Cl.** **06-08**
 - (52) **U.S. Cl.**
USPC **D6/315**
 - (58) **Field of Classification Search**
USPC D6/315-328
CPC A47G 25/28; A47G 25/32; A47G 25/487; A47G 25/26; A47G 25/4023; A47G 25/20; A47G 25/481; A47G 25/743; A47G 25/442; A47G 25/30; A47G 25/48; A47G 25/36; A47G 25/24; A47G 25/16; A47G 25/14; A47G 25/40; A47G 25/52; A47G 25/70; A47G 25/4038; A47G 25/1457; A47G 25/06; A47G 2025/484; A47G 25/0685; A47G 25/34; A47G 25/0607; A47G 25/74
- See application file for complete search history.

3,085,725 A *	4/1963	Caparosa	A47G 25/743	223/87
D218,847 S	9/1970	Specht			
3,592,343 A	7/1971	Swett et al.			
D226,547 S	3/1973	Iso			
D226,752 S	4/1973	Iso			
D245,748 S	9/1977	Ostroll			
D251,891 S	5/1979	Solomon			
D255,066 S	5/1980	Hadgis			
D272,494 S *	2/1984	Mahowald	D6/513	
D278,291 S	4/1985	Gurule			
D283,273 S *	4/1986	Rhyne	D6/327	
D296,046 S	6/1988	Marshall			
4,759,440 A *	7/1988	Kolton	A47G 25/743	206/278
4,823,962 A	4/1989	Arias			
4,940,146 A	7/1990	Kolton et al.			
5,005,742 A *	4/1991	Smith	A47G 25/48	223/85

(Continued)

FOREIGN PATENT DOCUMENTS

CN	201468896 U	5/2010
GB	2325151	11/1998

(Continued)

Primary Examiner — Lauren R Calve

(57) **CLAIM**

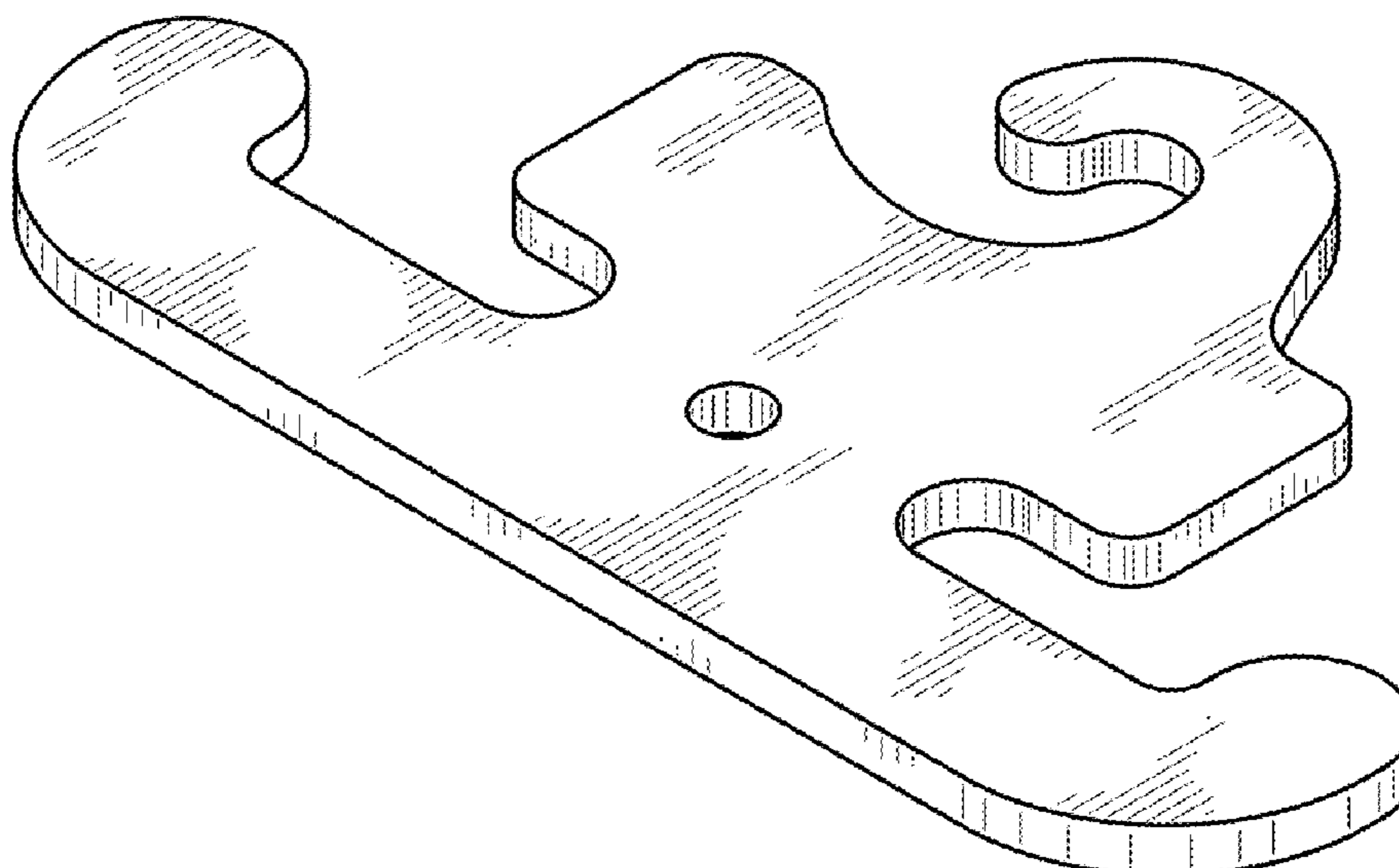
The ornamental design for a display hook, as shown and described.

DESCRIPTION

FIG. 1 is an isometric view of a display hook, showing our design; and
 FIG. 2 is a front view thereof;
 FIG. 3 is a rear view thereof;
 FIG. 4 is a left side view thereof;
 FIG. 5 is a right side view thereof;
 FIG. 6 is a top view thereof; and,
 FIG. 7 is a bottom view thereof.

1 Claim, 5 Drawing Sheets

- (56) **References Cited**
U.S. PATENT DOCUMENTS
- | | | |
|-------------|---------|---------|
| 2,151,472 A | 3/1939 | Hubbard |
| D181,917 S | 1/1958 | Tupper |
| D182,259 S | 3/1958 | Tupper |
| D191,647 S | 10/1961 | Seeger |
| 3,081,881 A | 3/1963 | Seeger |



(56)

References Cited

U.S. PATENT DOCUMENTS

5,027,945 A * 7/1991 Wilkins A47F 7/10
 206/278
 D321,288 S * 11/1991 Nichol, Jr. D6/315
 5,163,590 A 11/1992 Lawler et al.
 D331,425 S 12/1992 Rhyne
 5,505,351 A 4/1996 Najarian
 5,615,810 A * 4/1997 Kolton A47G 25/743
 223/85
 D416,487 S 11/1999 Shapiro
 5,988,373 A * 11/1999 Yates B65D 73/0064
 206/292
 D434,981 S 12/2000 Shapiro
 D440,873 S 4/2001 Van Horn
 D474,353 S 5/2003 Gist Skinner
 7,219,821 B2 5/2007 Weal et al.
 D545,217 S 6/2007 Jeric et al.
 D560,372 S 1/2008 Lee
 7,328,821 B2 2/2008 Dedo
 D590,245 S 4/2009 Banda
 D646,151 S 10/2011 Potts et al.
 D649,365 S 11/2011 Young
 D708,861 S 7/2014 Doenges et al.
 D714,138 S 9/2014 Genender
 D718,962 S 12/2014 Brett
 9,022,235 B2 5/2015 Kaiinsky
 D735,027 S 7/2015 Fildan et al.
 D736,619 S 8/2015 Parkes

D747,194 S 1/2016 Melistas
 D770,276 S 11/2016 Bjorsing
 D774,883 S 12/2016 Moskovich et al.
 9,585,496 B2 * 3/2017 Strassburger A47F 7/02
 D786,063 S 5/2017 Choi et al.
 D793,229 S 8/2017 Meneaud
 D793,747 S 8/2017 Taylor
 D799,337 S 10/2017 Bhati
 D825,329 S 8/2018 Ross
 D856,144 S 8/2019 Ahearn et al.
 D858,277 S 9/2019 Toms, Jr. et al.
 D859,150 S 9/2019 Hughes
 D863,792 S * 10/2019 Ho D6/318
 D865,363 S 11/2019 Liu
 D878,198 S 3/2020 Hughes
 D885,909 S * 6/2020 Franzone, Jr. D9/455
 D887,855 S 6/2020 Miwa
 D889,955 S 7/2020 Vandenhos
 D894,732 S 9/2020 Kennedy et al.
 D898,566 S 10/2020 Hughes et al.
 D898,567 S 10/2020 Kennedy
 2006/0191984 A1 8/2006 Hitosugi
 2008/0230575 A1 9/2008 Nazari
 2011/0042424 A1 2/2011 Green et al.
 2011/0247185 A1 10/2011 Bolden et al.

FOREIGN PATENT DOCUMENTS

JP 3021432 U 2/1996
 JP 8-164053 6/1996

* cited by examiner

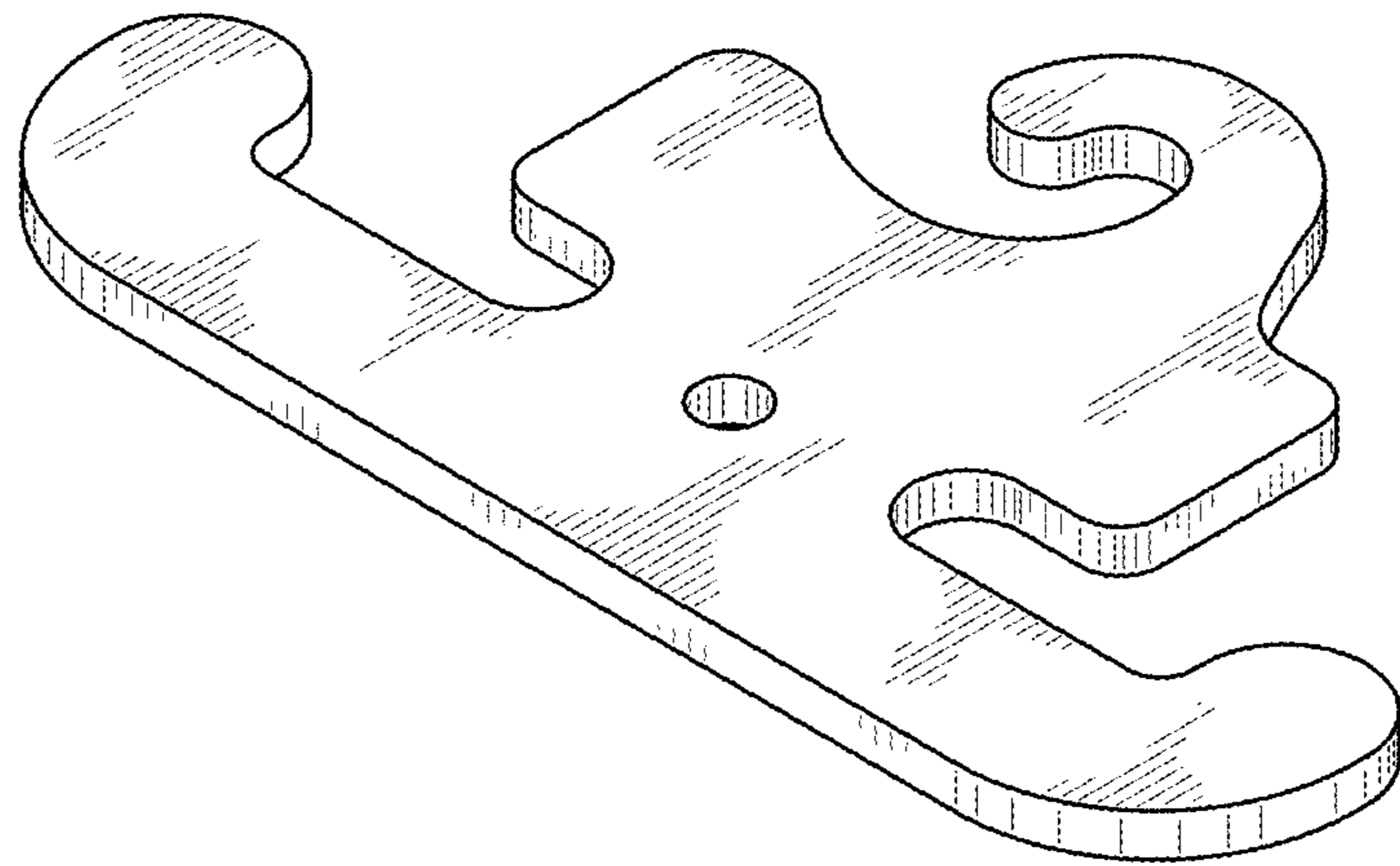


FIG. 1

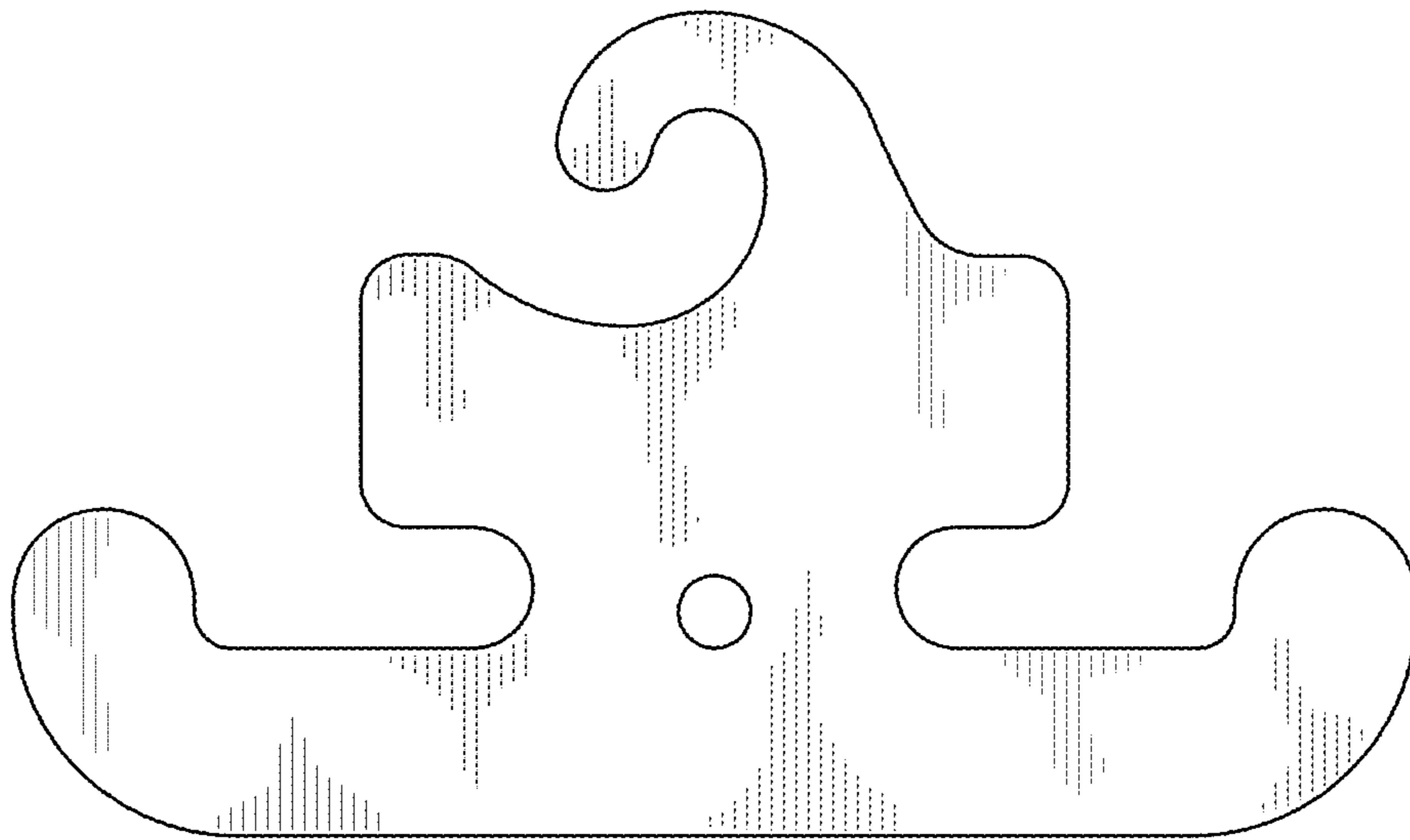


FIG. 2

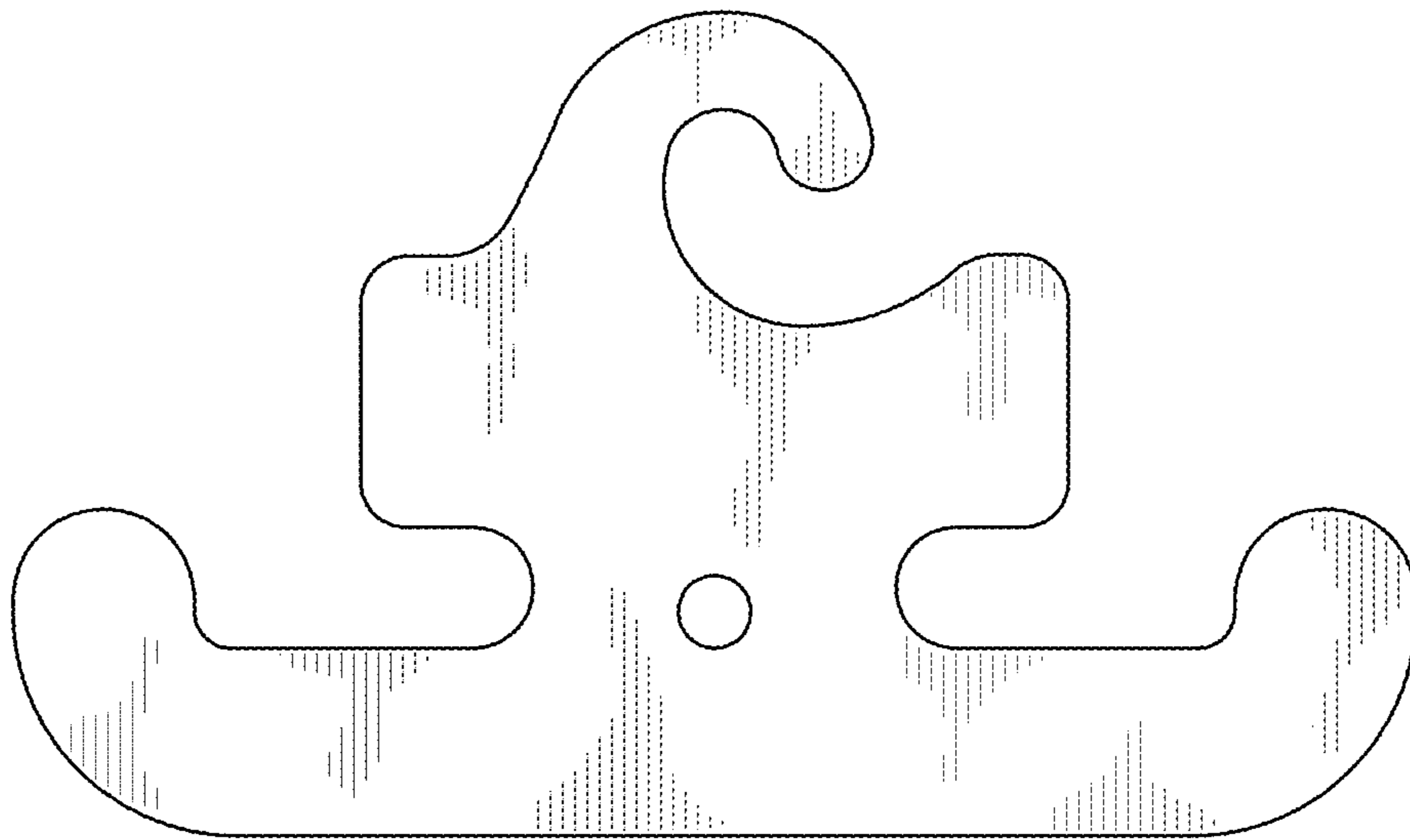


FIG. 3



FIG. 4



FIG. 5



FIG. 6

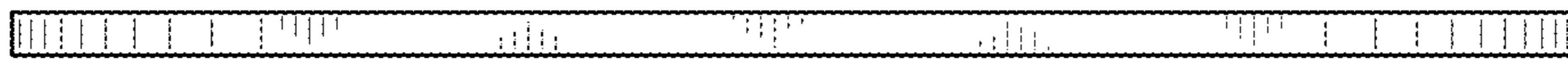


FIG. 7