



US00D926470S

(12) **United States Design Patent**
Luo

(10) **Patent No.:** **US D926,470 S**
(45) **Date of Patent:** **** Aug. 3, 2021**

(54) **EARPHONE STORAGE CASE**
(71) Applicant: **Wen Tian Luo**, Guangdong (CN)
(72) Inventor: **Wen Tian Luo**, Guangdong (CN)
(**) Term: **15 Years**
(21) Appl. No.: **29/732,619**
(22) Filed: **Apr. 27, 2020**

D905,430 S * 12/2020 Kwak D3/273
D907,049 S * 1/2021 Yu D14/440
D911,706 S * 3/2021 Hyun D3/273

(30) **Foreign Application Priority Data**

Oct. 29, 2019 (CN) 201930591209.3

(51) **LOC (13) Cl.** **03-01**

(52) **U.S. Cl.**
USPC **D3/294**

(58) **Field of Classification Search**
USPC D3/201, 207, 208, 212, 215, 218, 269,
D3/273, 290, 294, 298, 299, 302;
D7/641; D13/108; D14/223
CPC H04R 1/1025; H04R 2460/17; A45C
2013/025; A45C 2011/001; H02J 7/0044;
H02J 7/025
See application file for complete search history.

(56) **References Cited**

U.S. PATENT DOCUMENTS

D893,166 S * 8/2020 Lu D3/201
D893,184 S * 8/2020 Liu D3/294
D901,177 S * 11/2020 Wei D3/294
D903,316 S * 12/2020 Kwak D3/269

OTHER PUBLICATIONS

Doboli AirPods Pro Case, Nov. 5, 2019 [online]. [Site visited Mar. 22, 2021]. Available from internet, URL: <<https://www.amazon.com/Compatible-AirPods-Silicone-Protective-Visible/dp/B0811T3SYV/>> (Year: 2019).*

* cited by examiner

Primary Examiner — Kevin K Rudzinski

Assistant Examiner — Amber J Rabie

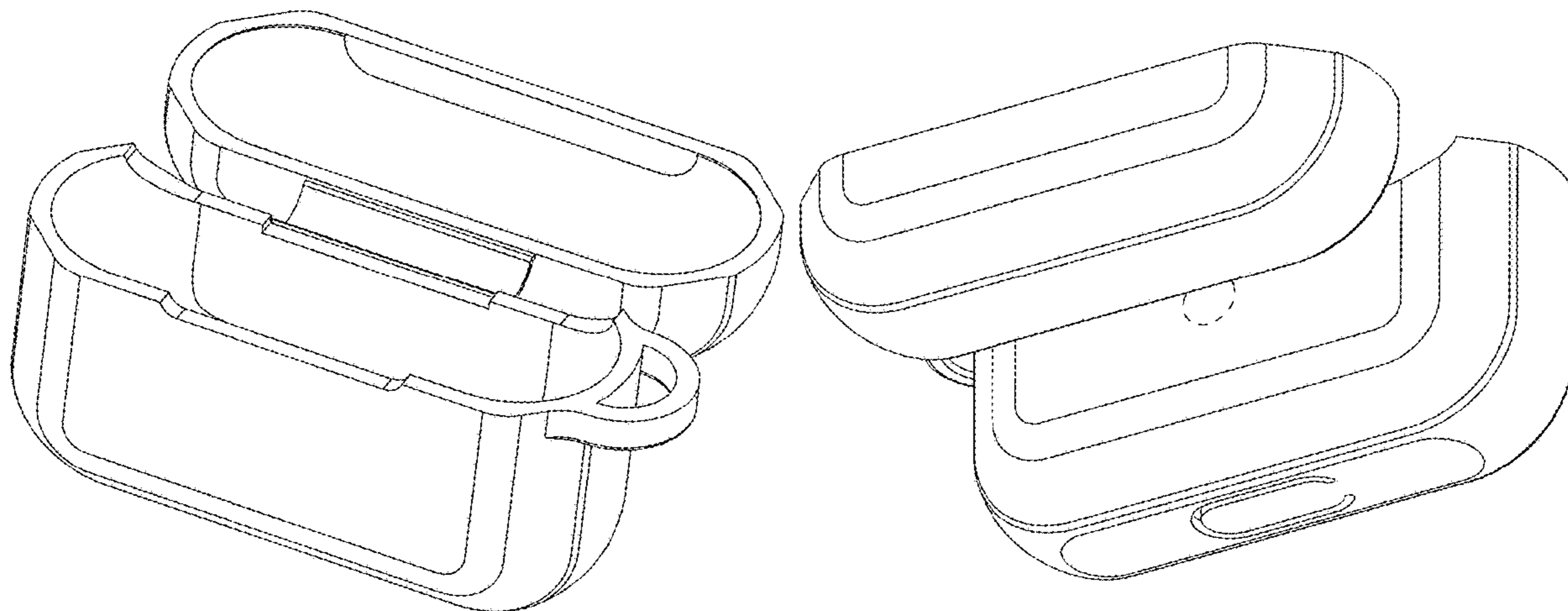
(57) **CLAIM**

The ornamental design for an earphone storage case, as shown and described.

DESCRIPTION

FIG. 1 is a front elevational view of an earphone storage case showing my new design;
FIG. 2 is a rear elevational view thereof;
FIG. 3 is a left side view thereof;
FIG. 4 is a right side view thereof;
FIG. 5 is a top plan view thereof;
FIG. 6 is a bottom plan view thereof;
FIG. 7 is a perspective view thereof; and,
FIG. 8 is another perspective view thereof.
The broken lines depict portions of the earphone storage case that form no part of the claimed design.

1 Claim, 8 Drawing Sheets



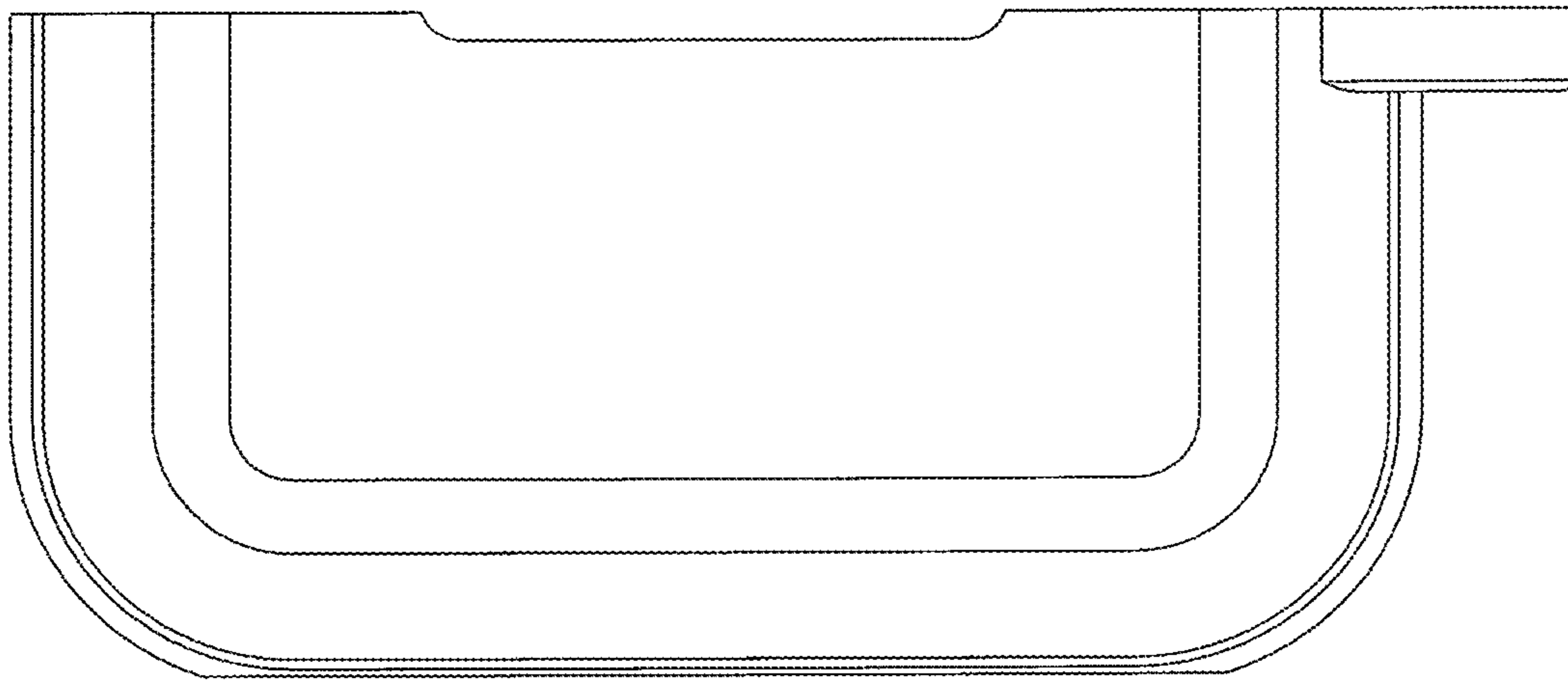


FIG. 1

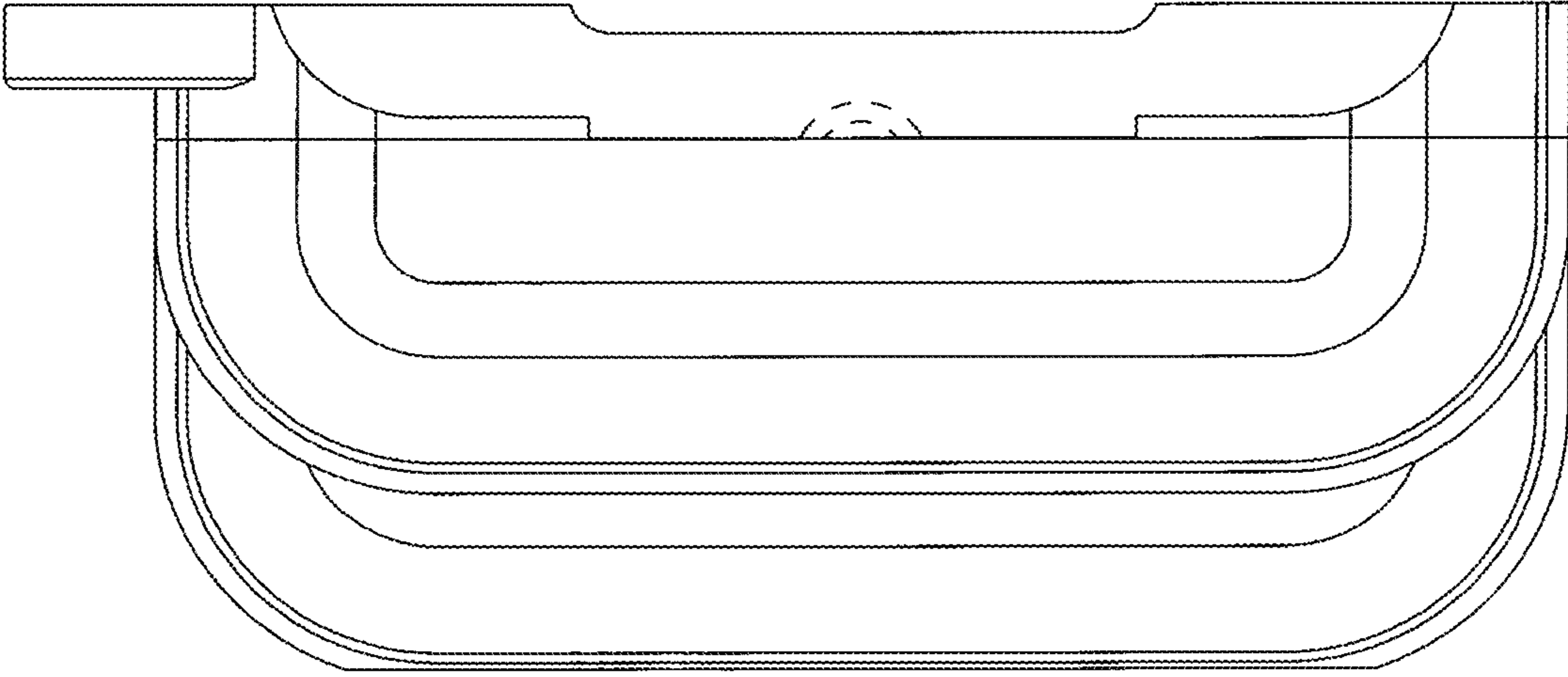


FIG. 2

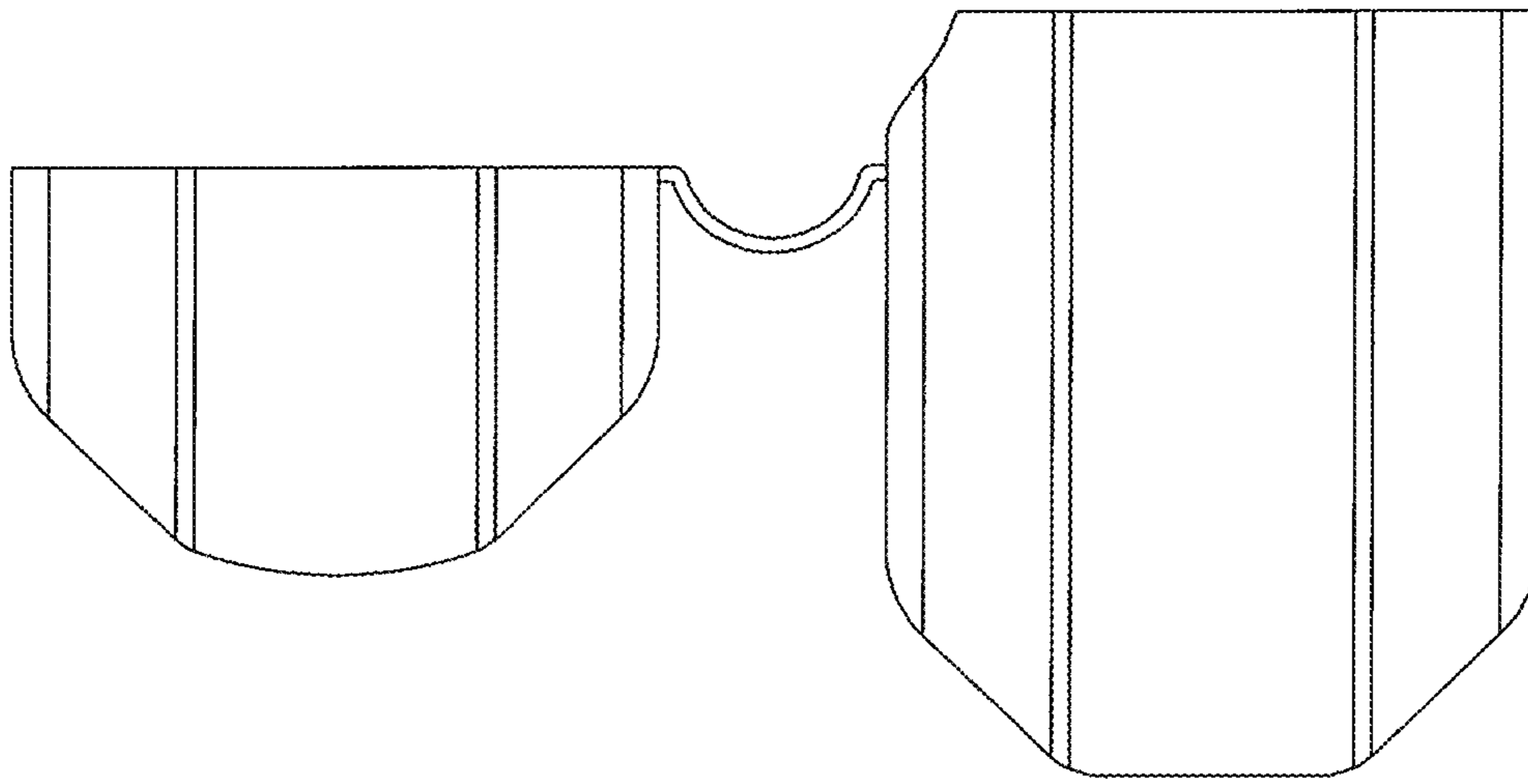


FIG. 3

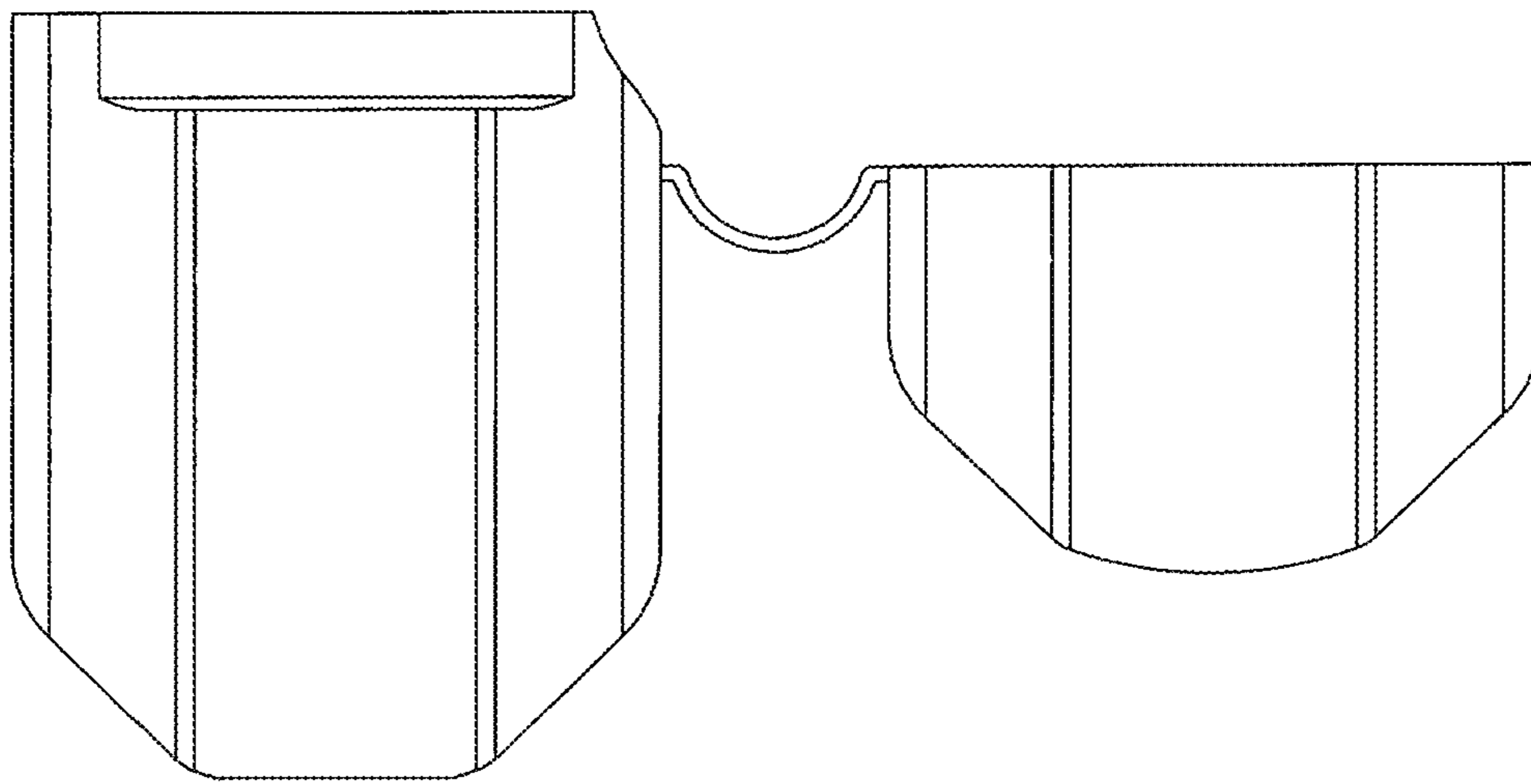


FIG. 4

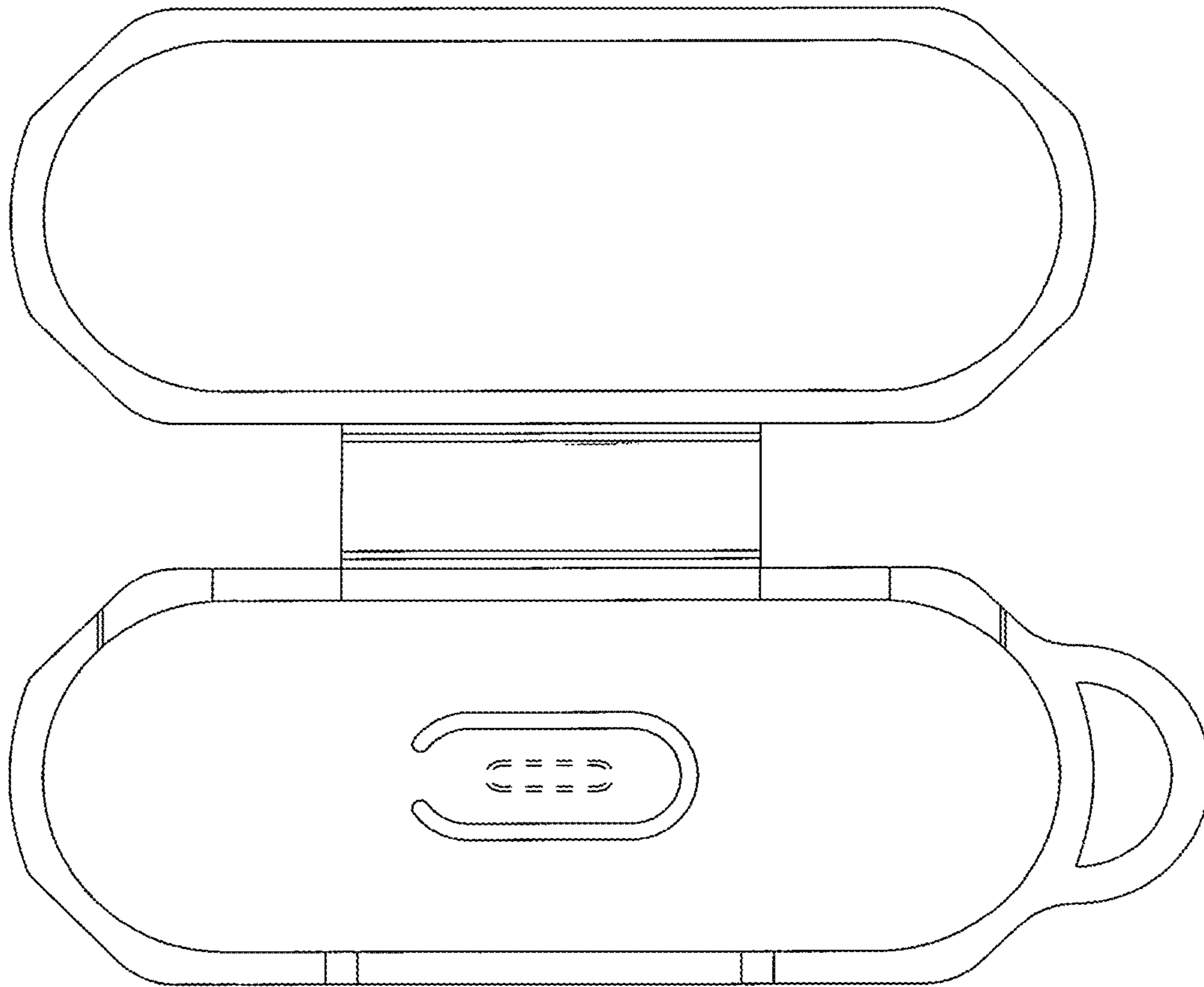


FIG. 5

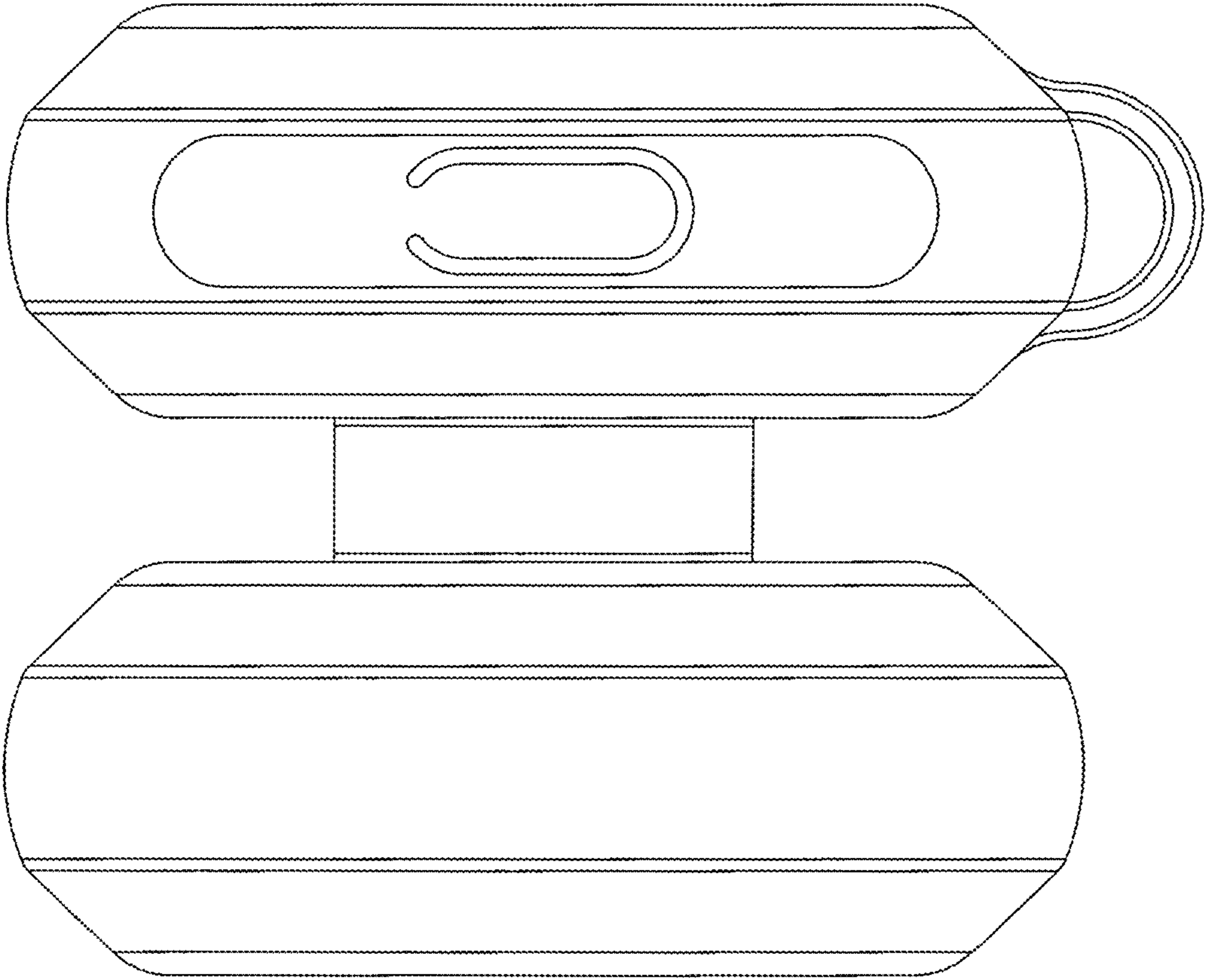


FIG. 6

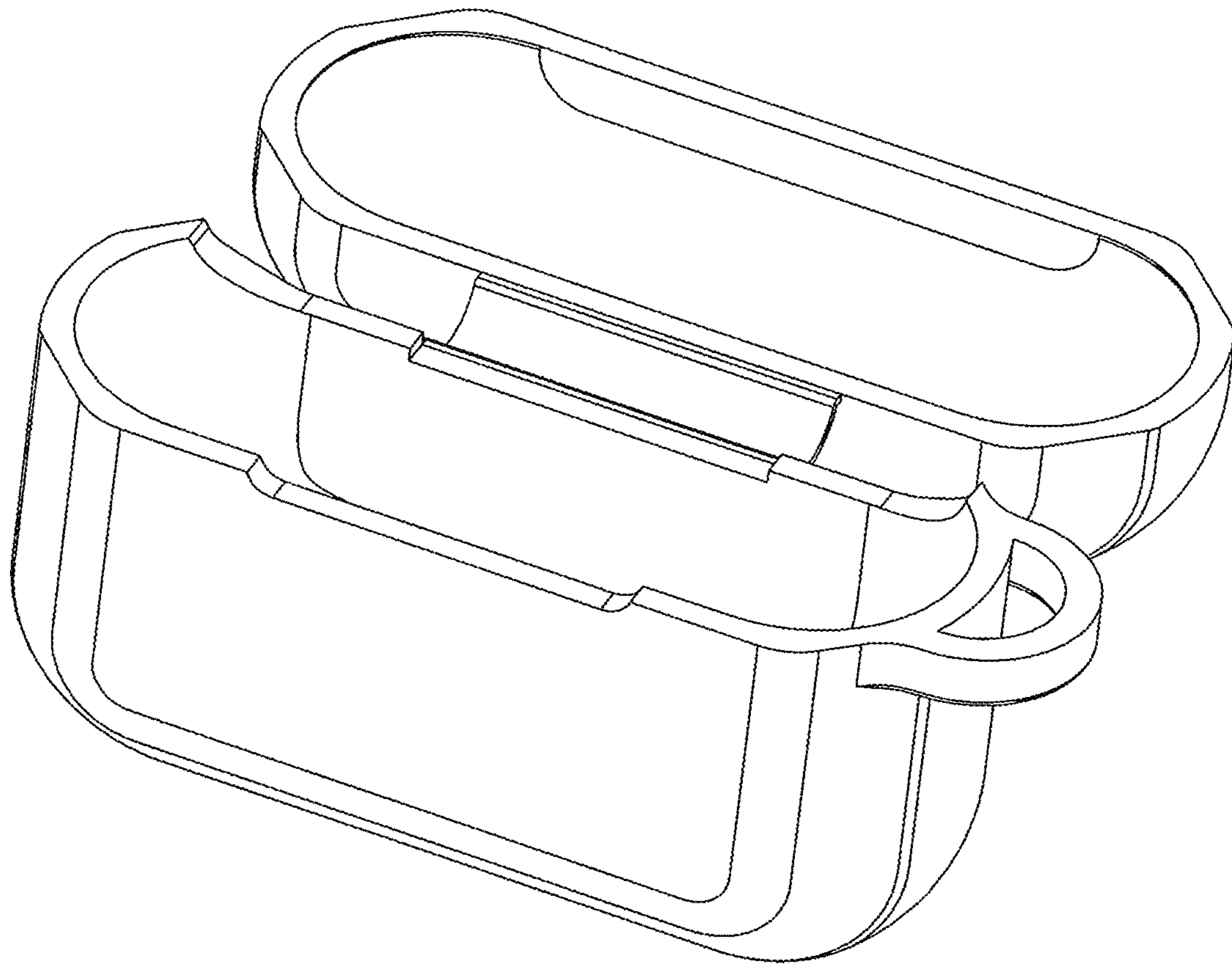


FIG. 7

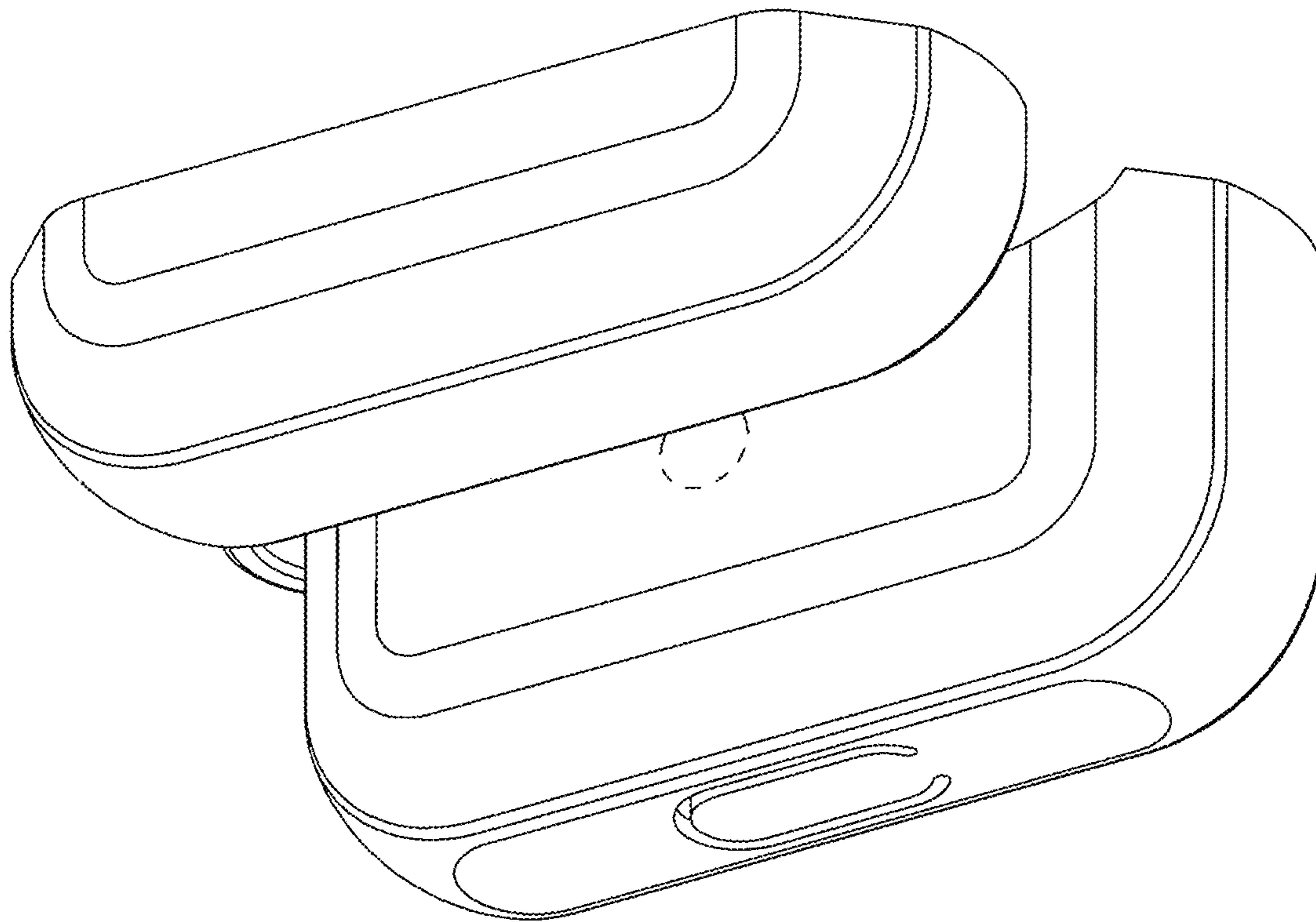


FIG. 8