



US00D926469S

(12) **United States Design Patent** (10) **Patent No.:** **US D926,469 S**
Barlier (45) **Date of Patent:** **** Aug. 3, 2021**

(54) **BAG**
(71) Applicant: **KeepCool USA LLC**, Orinda, CA (US)
(72) Inventor: **Pierre Barlier**, Lafayette, CA (US)
(73) Assignee: **KeepCool USA LLC**, Orinda, CA (US)
(**) Term: **15 Years**

(21) Appl. No.: **29/715,814**
(22) Filed: **Dec. 4, 2019**
(51) **LOC (13) Cl.** **03-01**
(52) **U.S. Cl.**
USPC **D3/283**; D3/246

(58) **Field of Classification Search**
USPC D3/203.1, 203.6, 202, 205, 215, 217,
D3/226, 229, 230, 232, 233, 242–246,
D3/249, 258, 273, 274, 276, 283–290,
D3/294, 295, 299, 301, 303, 900–904;
D7/602, 605, 607, 619.1, 709; D28/73,
D28/76
CPC .. A45C 1/00; A45C 1/02; A45C 1/024; A45C
1/08; A45C 3/00; A45C 3/04; A45C 3/06;
A45C 3/10; A45C 3/004; A45C 5/00;
A45C 5/02; A45C 5/04; A45C 5/005;
A45C 7/077; A45C 7/00; A45C 9/00;
A45C 11/00; A45C 11/16; A45C 11/20;
A45C 11/26; A45C 11/008; A45C 13/00;
A45C 13/08; A45C 13/26; A45C
2003/002; A45C 2003/007; A45C
2003/008; A45C 2007/004; A45C
2011/007; A45C 2200/20; A45D 29/20;
A45D 33/008; A45D 44/18; A45D
2200/25; A45F 3/00; A45F 3/02; A45F
3/04; A45F 3/16; A45F 4/02; B65D
23/08; B56D 81/38; B56D 81/3836;
B56D 81/2023

See application file for complete search history.

(56) **References Cited**

U.S. PATENT DOCUMENTS

5,813,445 A * 9/1998 Christman A63F 3/06
150/106
D416,677 S * 11/1999 Christman D3/232

D491,363 S * 6/2004 Renz D3/276
D548,459 S * 8/2007 Harvey D3/246
D580,162 S * 11/2008 Crook D3/232
D600,909 S * 9/2009 Crook D3/232
D603,606 S * 11/2009 Wang D3/232
D630,844 S * 1/2011 Wang D3/232

(Continued)

FOREIGN PATENT DOCUMENTS

KR 301032989.0000 * 11/2019

OTHER PUBLICATIONS

Gecko 2 Compartment Cooler Tote, unknown first available date, diversdirect.com [online], [site visited Dec. 30, 2020], Available at internet URL: <https://www.diversdirect.com/p/gecko-2-compartment-tote-cooler#additional> (Year: 2020).*

(Continued)

Primary Examiner — Jeffrey D Asch
Assistant Examiner — Caitlin Ann Laverty
(74) *Attorney, Agent, or Firm* — Buchalter, a Professional Corp.; Kari Barnes

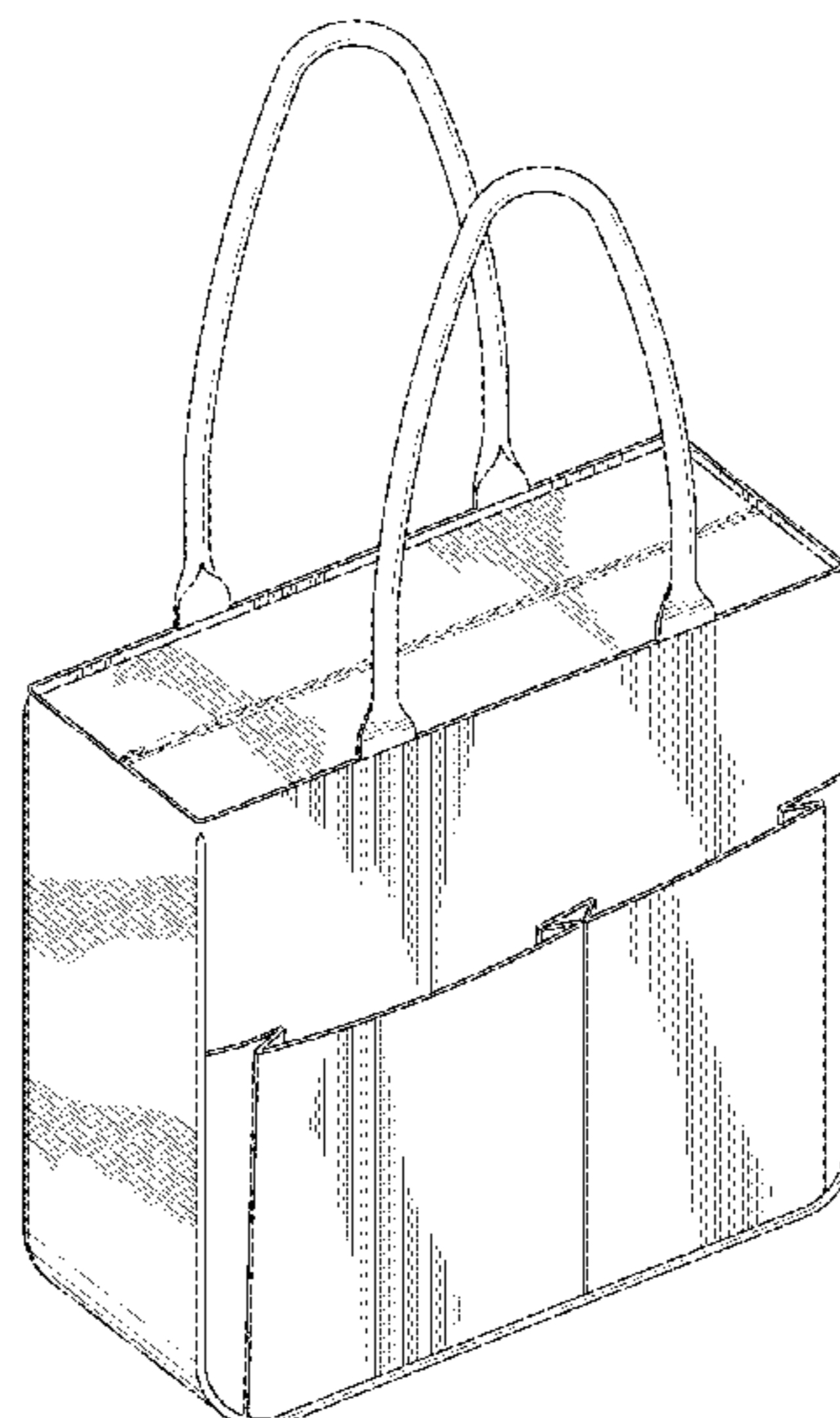
(57) **CLAIM**

The ornamental design for a bag, as shown and described.

DESCRIPTION

FIG. 1 is a Top, Left and Front perspective view;
FIG. 2 is a Front elevation view;
FIG. 3 is a Rear elevation view;
FIG. 4 is a Right side elevation view;
FIG. 5 is a Left side elevation view;
FIG. 6 is a Top plan view; and,
FIG. 7 is a Bottom plan view.

1 Claim, 5 Drawing Sheets



(56)

References Cited

U.S. PATENT DOCUMENTS

D695,568 S * 12/2013 Hayes D7/392
D720,925 S * 1/2015 Jones D3/232
D763,570 S * 8/2016 Potts D3/232
D780,524 S * 3/2017 Jacobsen D7/607
D831,957 S * 10/2018 Carter D3/246
D831,959 S * 10/2018 Hollinger D3/246
D845,625 S * 4/2019 Barlier D3/283
10,376,030 B1 * 8/2019 Koh A45C 13/26
D861,335 S * 10/2019 Barlier D3/232
D889,992 S * 7/2020 Rubio D9/720
2007/0274613 A1 * 11/2007 Pruchnicki A45C 13/02
383/110

OTHER PUBLICATIONS

Large Cooler Bag Insulated . . . , first available Oct. 12, 2019,
amazon.com [online], [site visited Dec. 30, 2020], Available at
internet URL: <https://www.amazon.com/Insulated-Carrier-Capacity-Grocery-Collapsible/dp/B07Z2H34TQ> (Year: 2019).*

* cited by examiner

FIG. 1

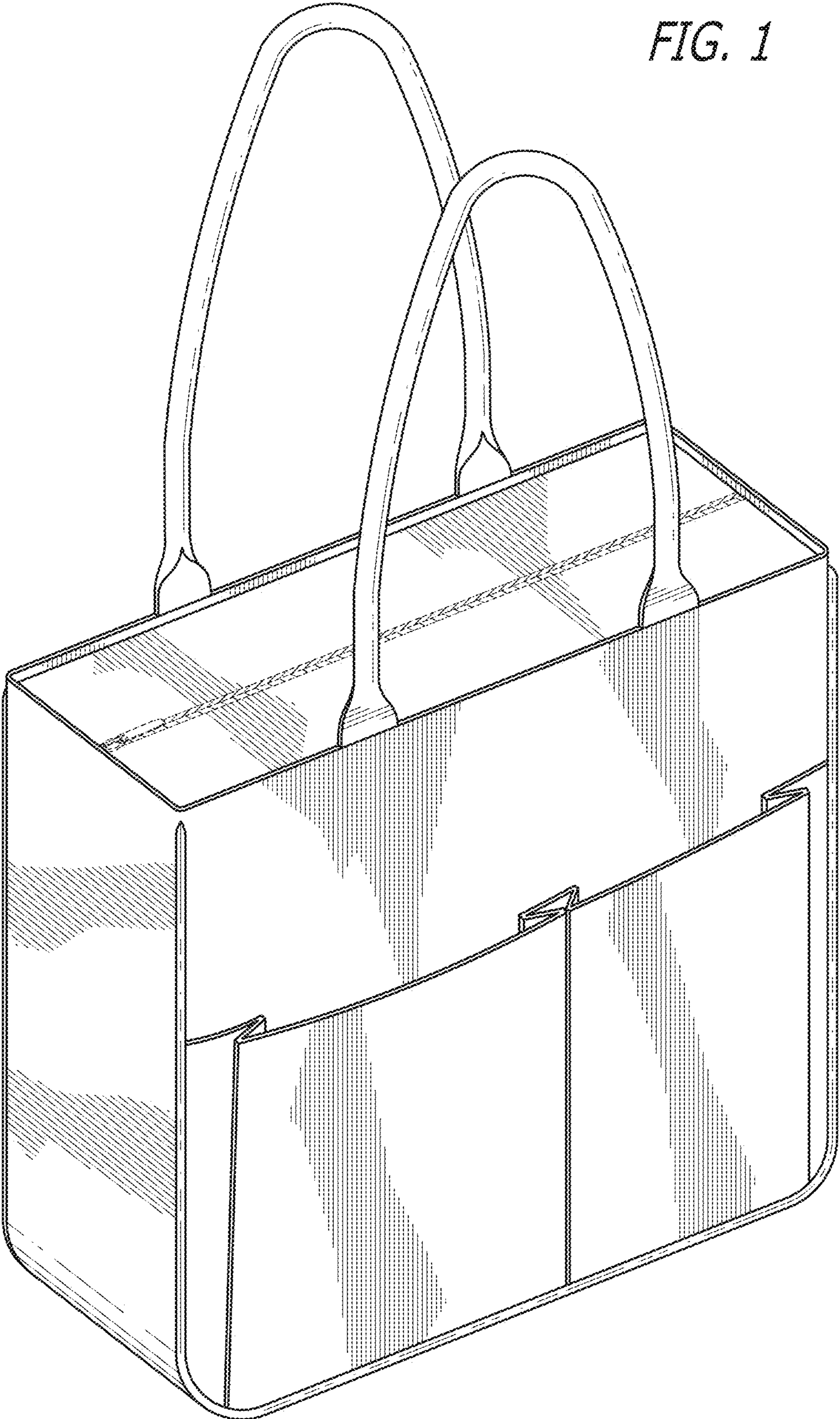


FIG. 2

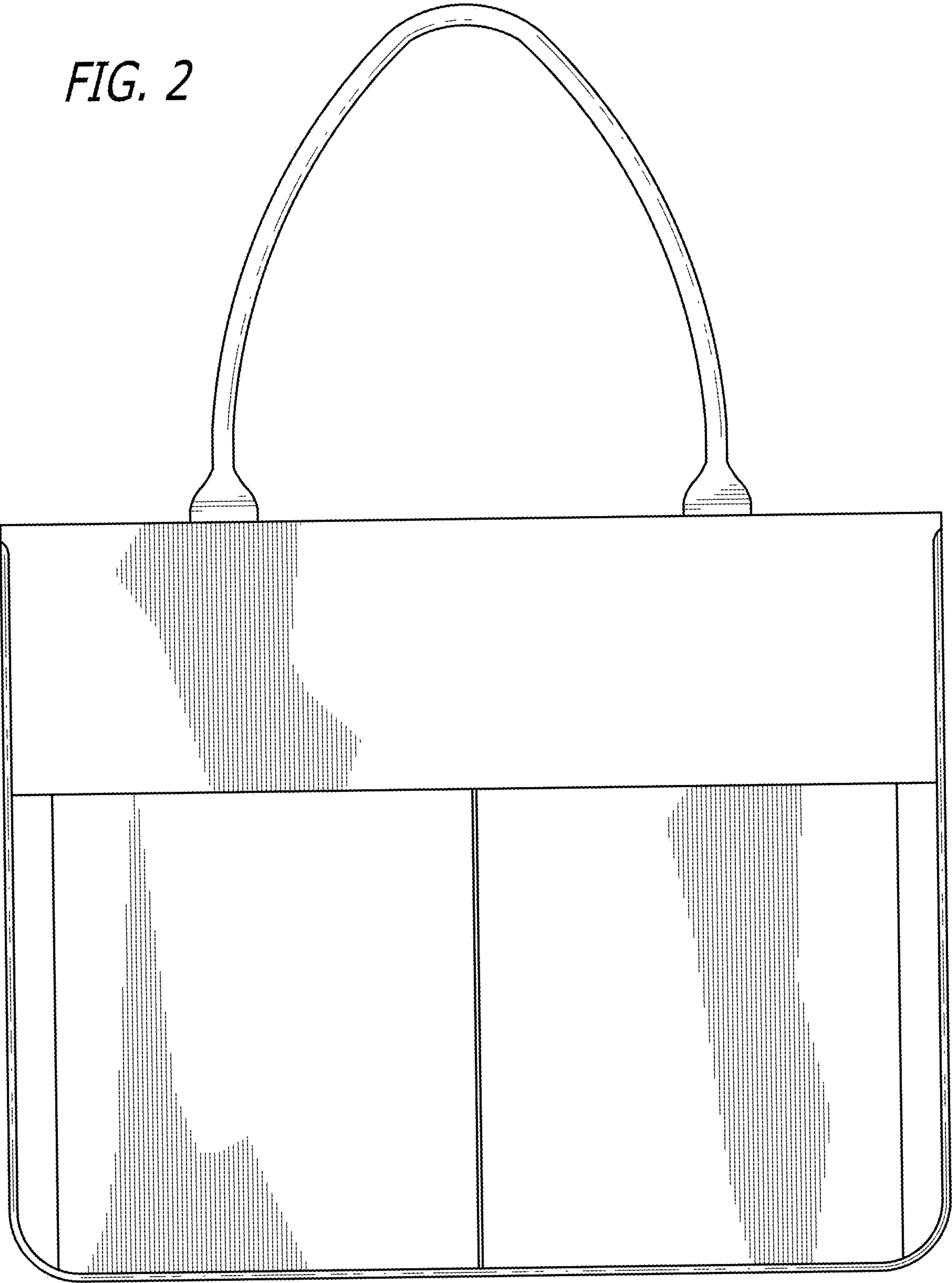


FIG. 3

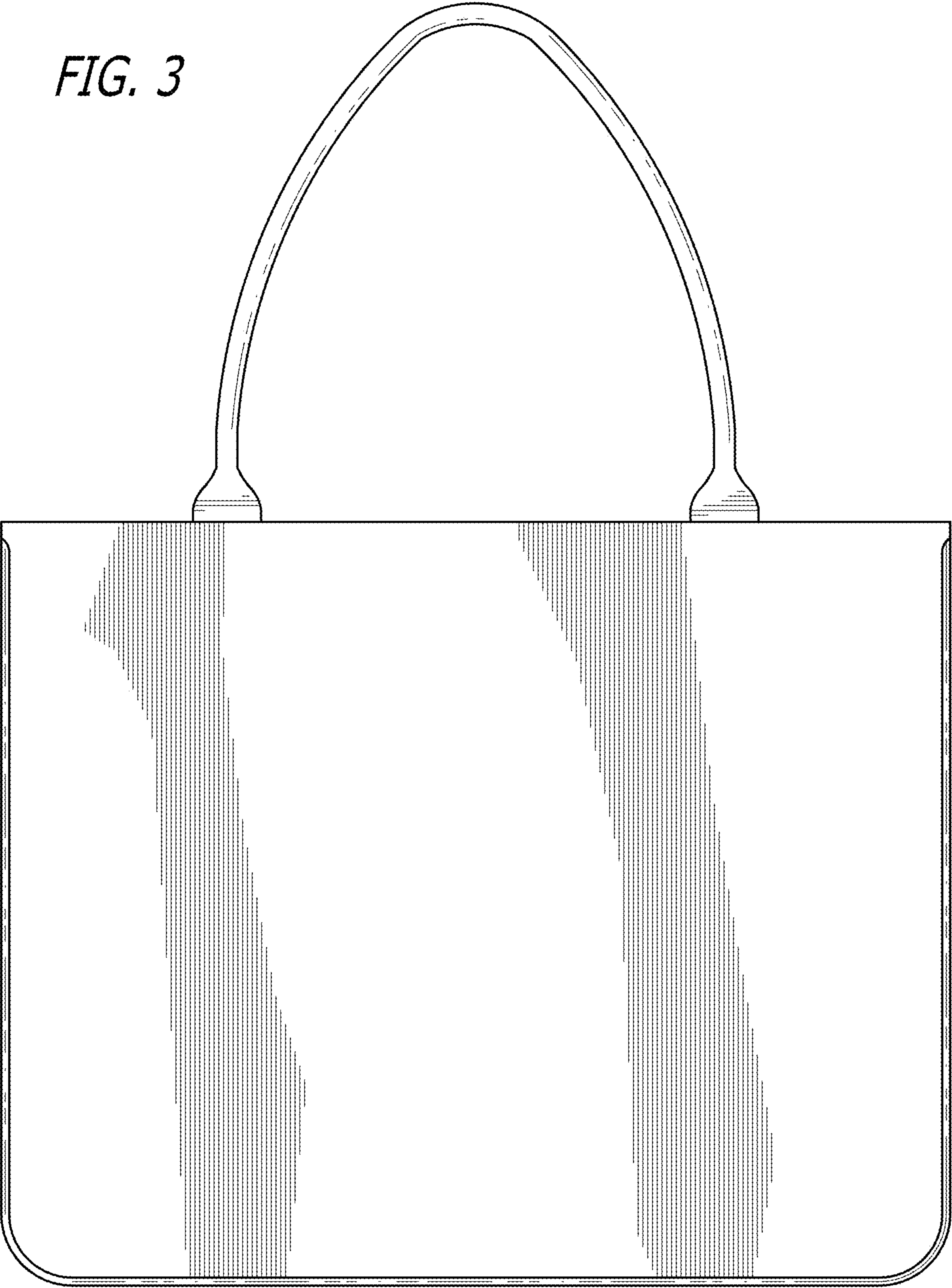


FIG. 4

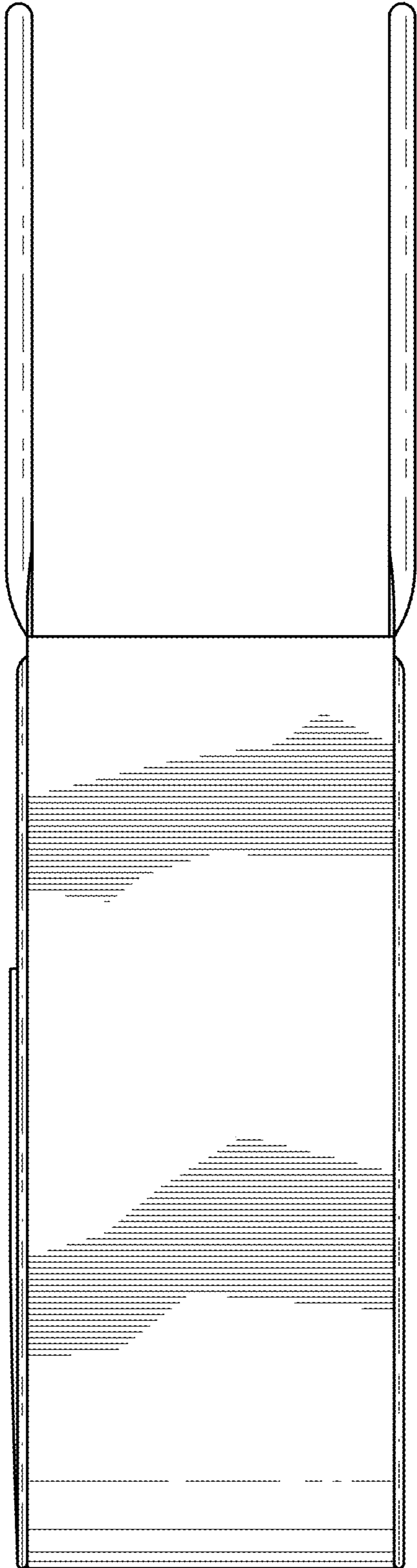
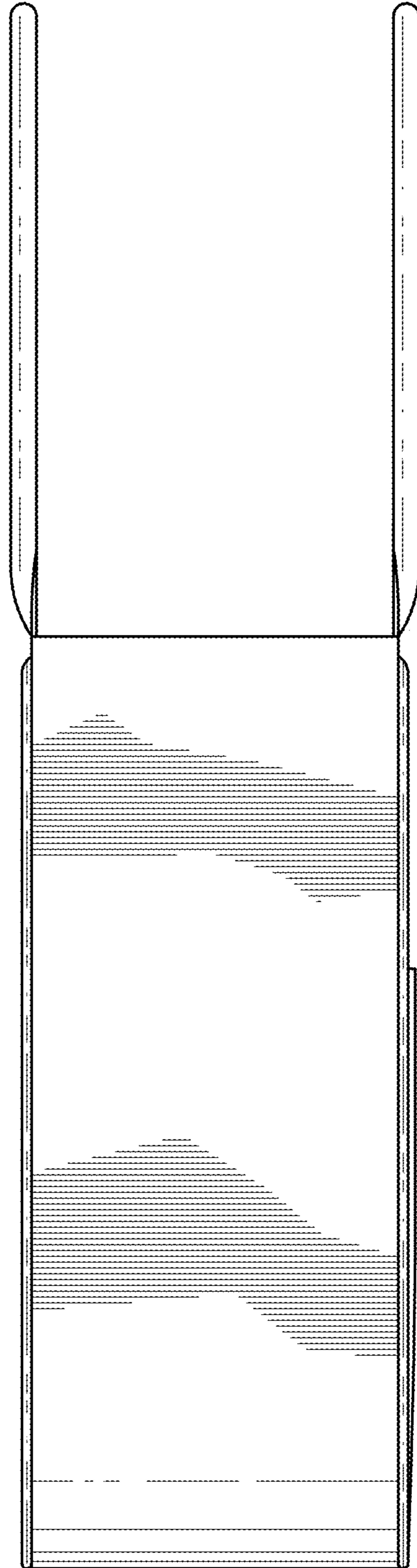


FIG. 5



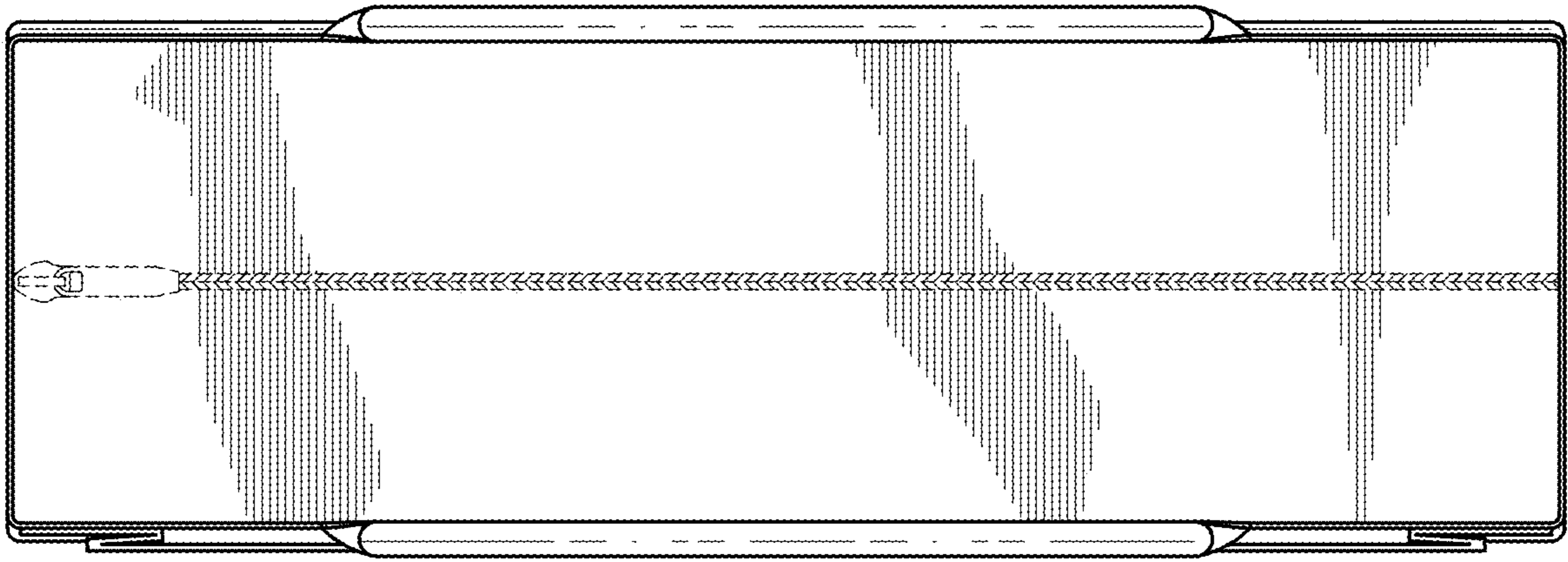


FIG. 6

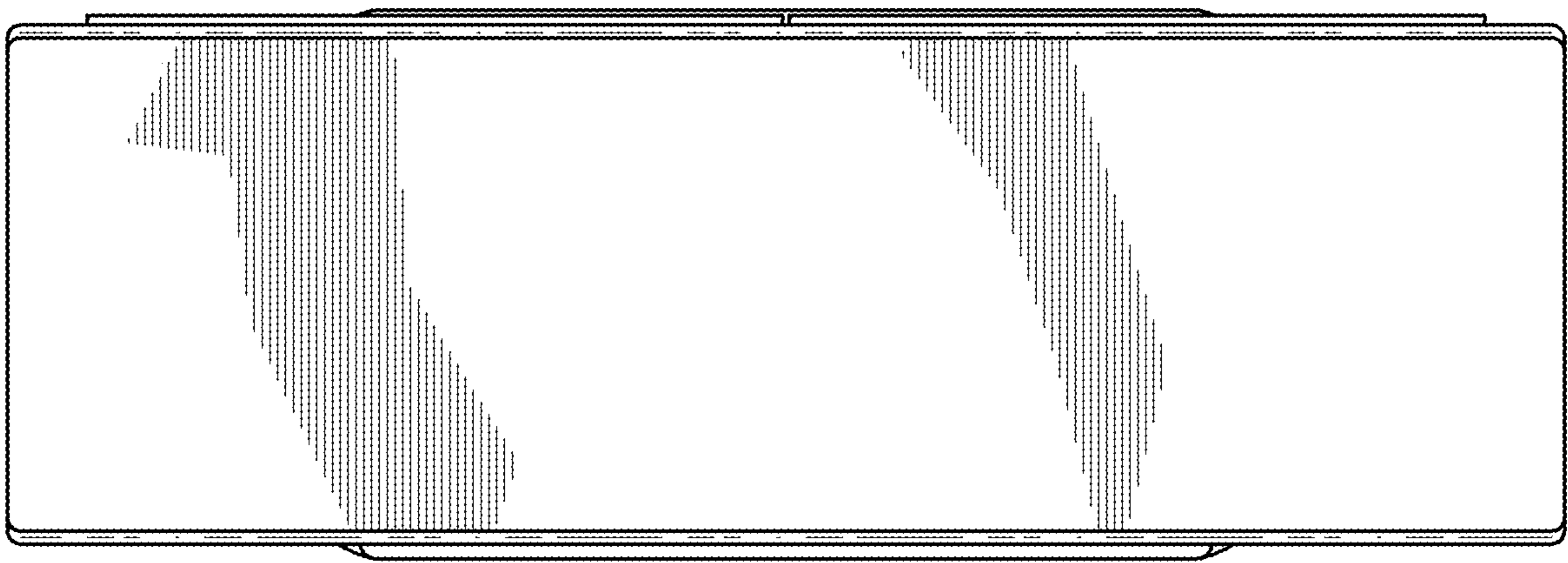


FIG. 7