



US00D926467S

(12) **United States Design Patent**  
**Pribyl**

(10) **Patent No.:** **US D926,467 S**

(45) **Date of Patent:** **\*\* Aug. 3, 2021**

- (54) **WALLET**
- (71) Applicant: **Steve Pribyl**, Pasadena, CA (US)
- (72) Inventor: **Steve Pribyl**, Pasadena, CA (US)
- (\*\*) Term: **15 Years**
- (21) Appl. No.: **29/720,519**
- (22) Filed: **Jan. 14, 2020**
- (51) **LOC (13) Cl.** ..... **03-01**
- (52) **U.S. Cl.**  
USPC ..... **D3/250**
- (58) **Field of Classification Search**  
USPC ..... D3/232, 247–253, 318–319  
CPC .... A45C 1/06; A45C 2001/065; A45C 11/182  
See application file for complete search history.

(56) **References Cited**

U.S. PATENT DOCUMENTS

- 966,352 A \* 8/1910 Pemberton ..... A45C 1/06  
150/140
- 2,869,604 A \* 1/1959 Fitzsimmons ..... A45C 1/06  
383/38
- D213,411 S \* 2/1969 Kery ..... D3/250
- 3,565,148 A \* 2/1971 Erwin Lionel Miller .....  
A45C 1/06  
150/147
- 3,856,063 A \* 12/1974 Dengel ..... A45C 1/06  
150/132
- D288,263 S \* 2/1987 Pagano ..... D19/86
- D410,774 S \* 6/1999 Inbert ..... D3/247
- D548,961 S \* 8/2007 Dohner ..... A45C 1/06  
D3/247
- D593,749 S \* 6/2009 Holzner ..... D3/247
- 7,628,189 B1 \* 12/2009 Beckley ..... A45C 11/182  
150/138
- D669,683 S \* 10/2012 Caperon ..... D3/232
- D686,414 S \* 7/2013 Schneider ..... D3/249

- 8,833,408 B1 \* 9/2014 Price ..... A45C 1/06  
150/145
- D720,530 S 1/2015 Abramson
- D756,116 S \* 5/2016 McDaniel ..... D3/247
- D758,498 S \* 6/2016 Basil ..... D21/392
- D768,989 S \* 10/2016 Johnson ..... D3/319
- D772,567 S 11/2016 Tappeiner
- D772,568 S 11/2016 Tappeiner
- D781,581 S \* 3/2017 Barclay ..... D3/247
- D822,988 S \* 7/2018 Taylor ..... D3/247
- D828,023 S 9/2018 Serman
- D836,335 S 12/2018 Serman
- D836,336 S 12/2018 Serman
- D884,349 S \* 5/2020 Graham ..... D3/319
- 2009/0014104 A1 \* 1/2009 Duchon ..... A45C 1/08  
150/136
- 2009/0288746 A1 \* 11/2009 Baca ..... A45C 1/06  
150/137

(Continued)

*Primary Examiner* — Jennifer L Watkins  
*Assistant Examiner* — Samantha Lynne Brodowski  
 (74) *Attorney, Agent, or Firm* — Dunlap Bennett & Ludwig, PLLC; Anna Kinney

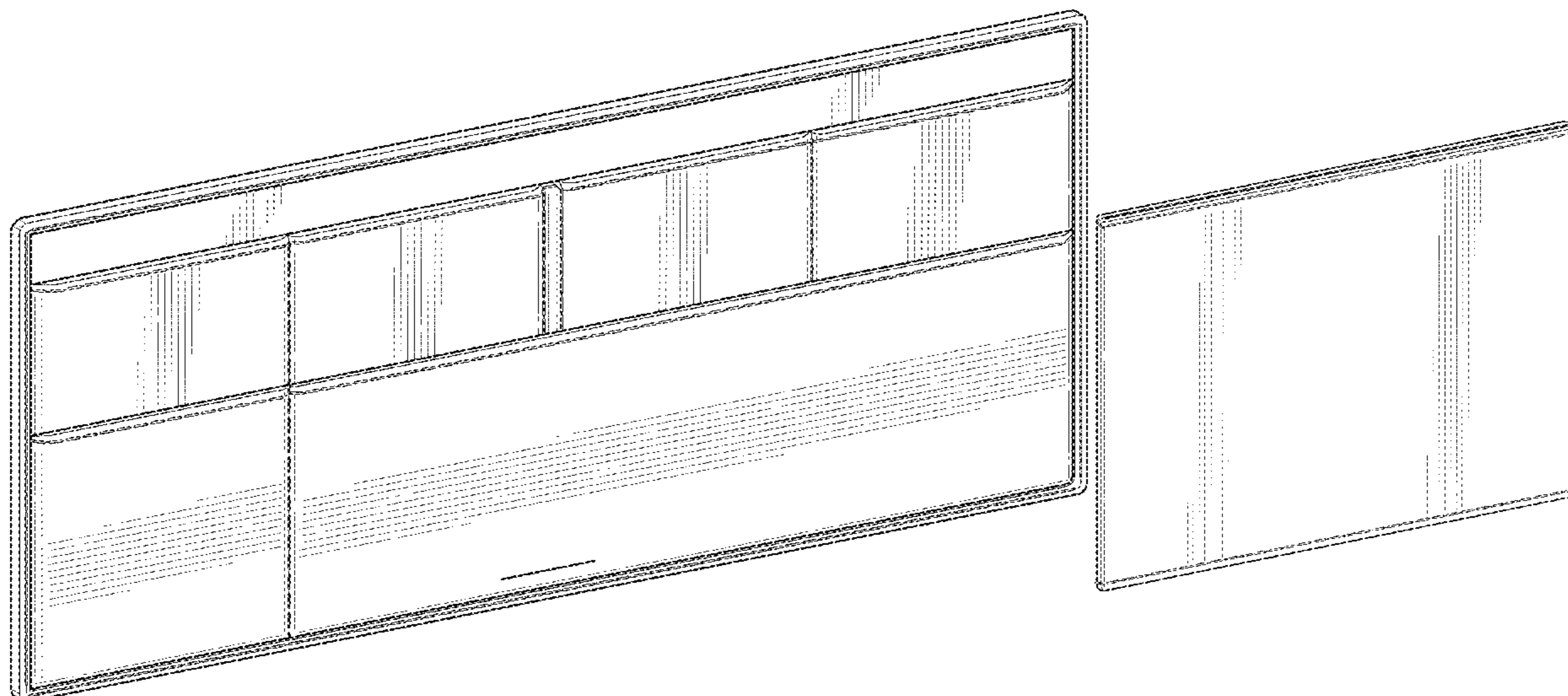
(57) **CLAIM**

The ornamental design for a wallet, as shown and described.

**DESCRIPTION**

FIG. 1 is a perspective view of a wallet;  
 FIG. 2 is a front elevation view thereof;  
 FIG. 3 is a rear elevation view thereof;  
 FIG. 4 is a left side view thereof;  
 FIG. 5 is a right side view thereof;  
 FIG. 6 is a top plan view thereof;  
 FIG. 7 is a bottom plan view thereof; and,  
 FIG. 8 is a perspective view of the wallet in a closed position.  
 The broken lines depict stitching which forms no part of the claim.

**1 Claim, 6 Drawing Sheets**



(56)

**References Cited**

U.S. PATENT DOCUMENTS

2018/0289124 A1 \* 10/2018 Dexter ..... A45C 11/182

\* cited by examiner

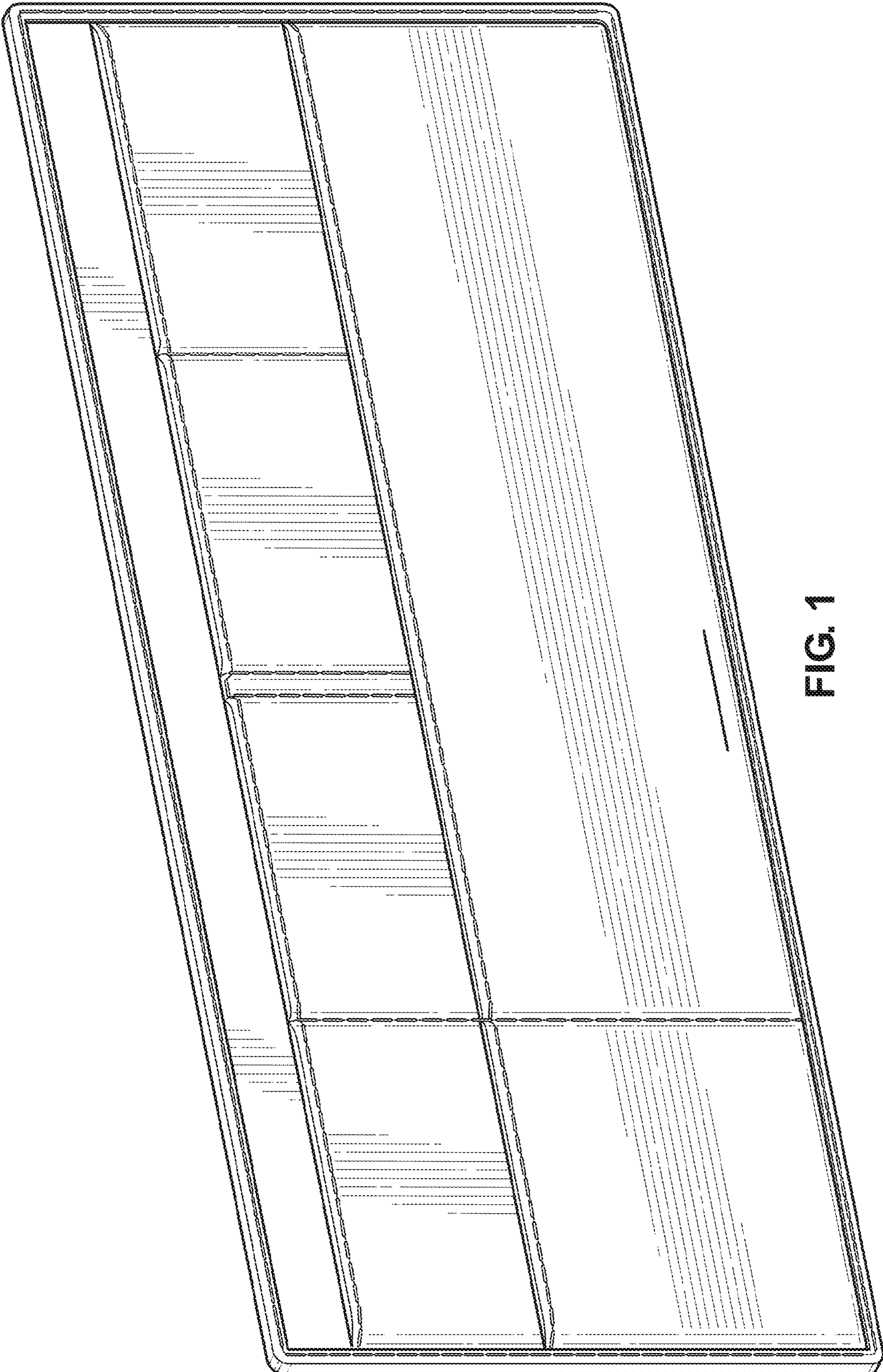


FIG. 1

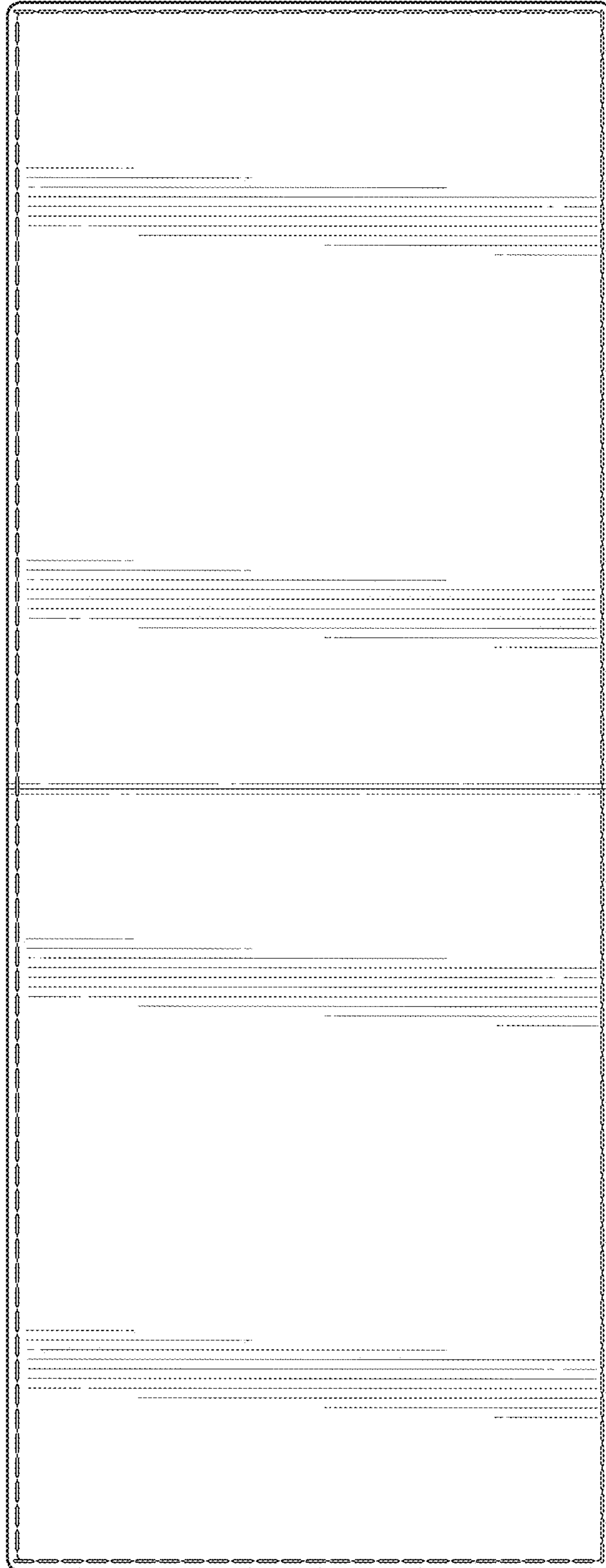


FIG. 2

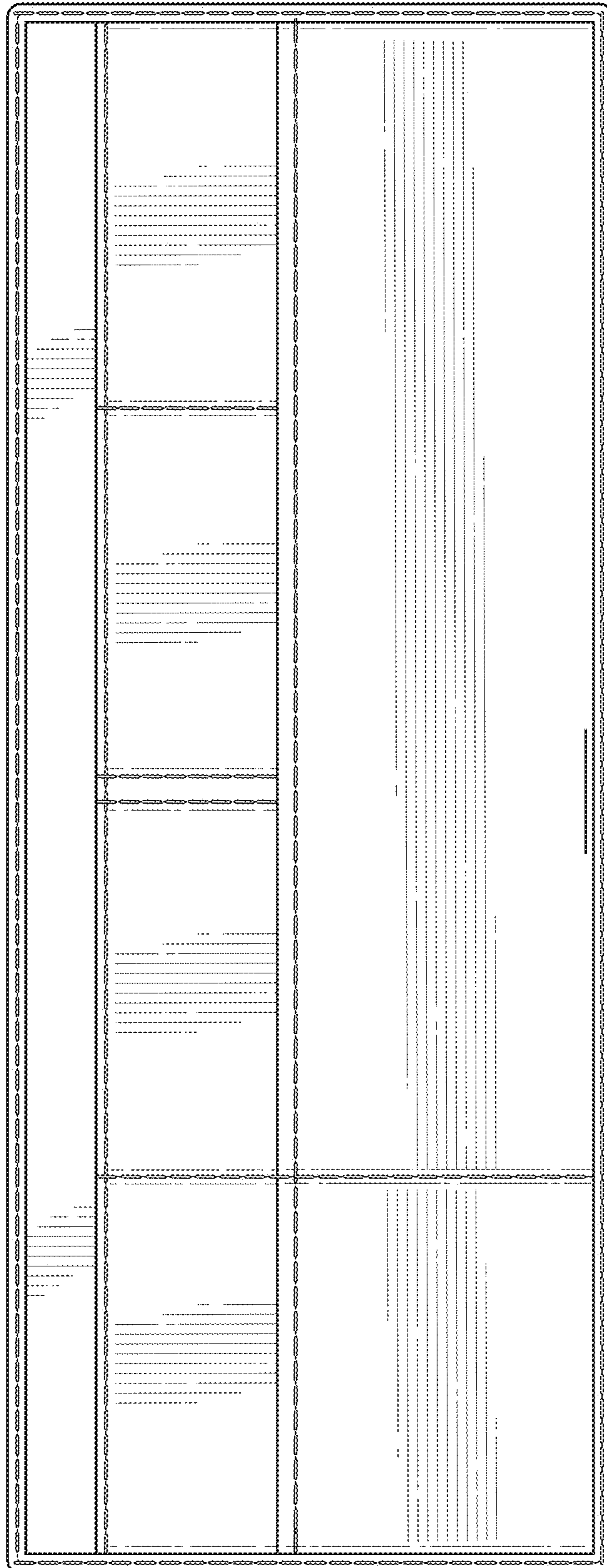


FIG. 3

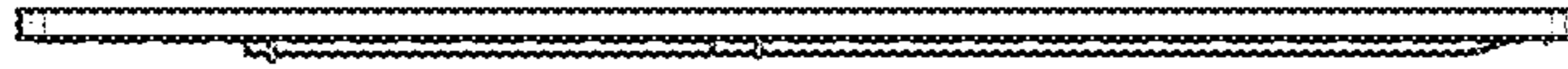


FIG. 5

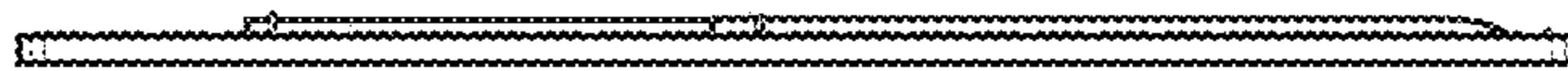


FIG. 4



FIG. 6



FIG. 7

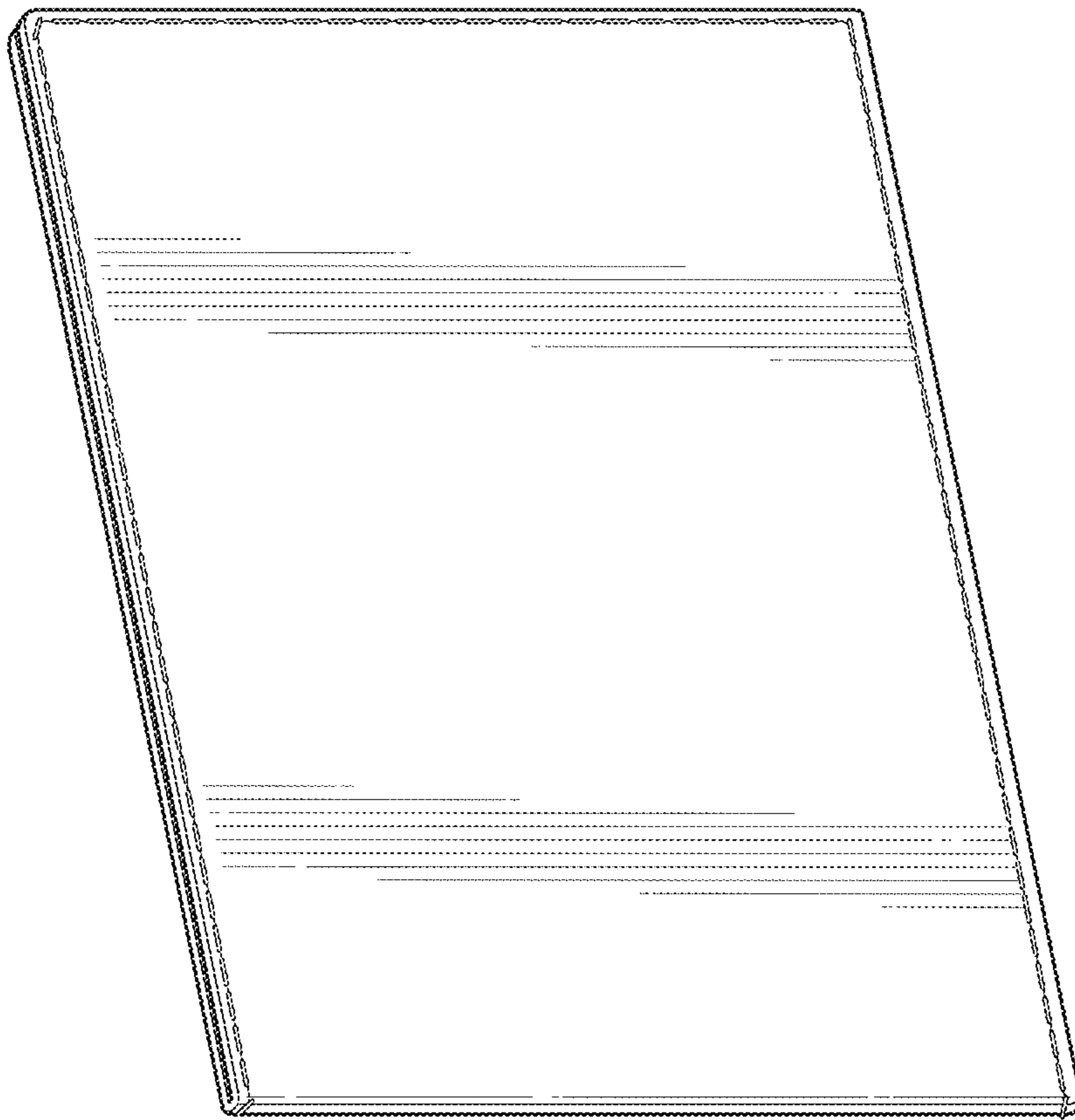


FIG. 8