



US00D926463S

(12) **United States Design Patent** (10) **Patent No.:** **US D926,463 S**
Bronkhorst (45) **Date of Patent:** **** Aug. 3, 2021**

(54) **FIRST AID KIT**
(71) Applicant: **Allware, Inc.**, Woodbridge, VA (US)
(72) Inventor: **Johannes Bronkhorst**, Woodbridge, VA (US)
(73) Assignee: **Allware, Inc.**, Woodbridge, VA (US)
(**) Term: **15 Years**
(21) Appl. No.: **29/688,285**
(22) Filed: **Apr. 19, 2019**
(51) **LOC (13) Cl.** **03-01**
(52) **U.S. Cl.**
USPC **D3/203.1**
(58) **Field of Classification Search**
USPC D3/201, 203.1, 203.6, 203.7, 203.8, 205,
D3/215, 276, 283, 285, 289
CPC A61F 17/00; A61F 15/001; B65D 77/24;
A45C 5/00
See application file for complete search history.

D455,005 S * 4/2002 Wolf D3/205
D461,046 S * 8/2002 Cohen D3/205
6,781,522 B2 * 8/2004 Sleva A61B 5/0002
340/870.1
D498,585 S * 11/2004 Darling D12/416
D512,216 S * 12/2005 Joyce D3/203.6
D546,552 S * 7/2007 Dawson D3/203.1
D565,837 S * 4/2008 Miles D3/203.1
D577,190 S * 9/2008 Moldovan D3/203.6
D577,191 S * 9/2008 Moldovan D3/203.6
D577,484 S * 9/2008 Lott D3/203.1
D588,799 S * 3/2009 Garland D3/205
D591,039 S * 4/2009 Wung D3/203.1
D593,317 S * 6/2009 Yao D3/203.6
D595,503 S * 7/2009 Guy D3/205

(Continued)

Primary Examiner — Steven J Czyz
(74) *Attorney, Agent, or Firm* — Dunlap Bennett & Ludwig, PLLC; Brendan E. Squire

(57) **CLAIM**

The ornamental design for a first aid kit, as shown and described.

DESCRIPTION

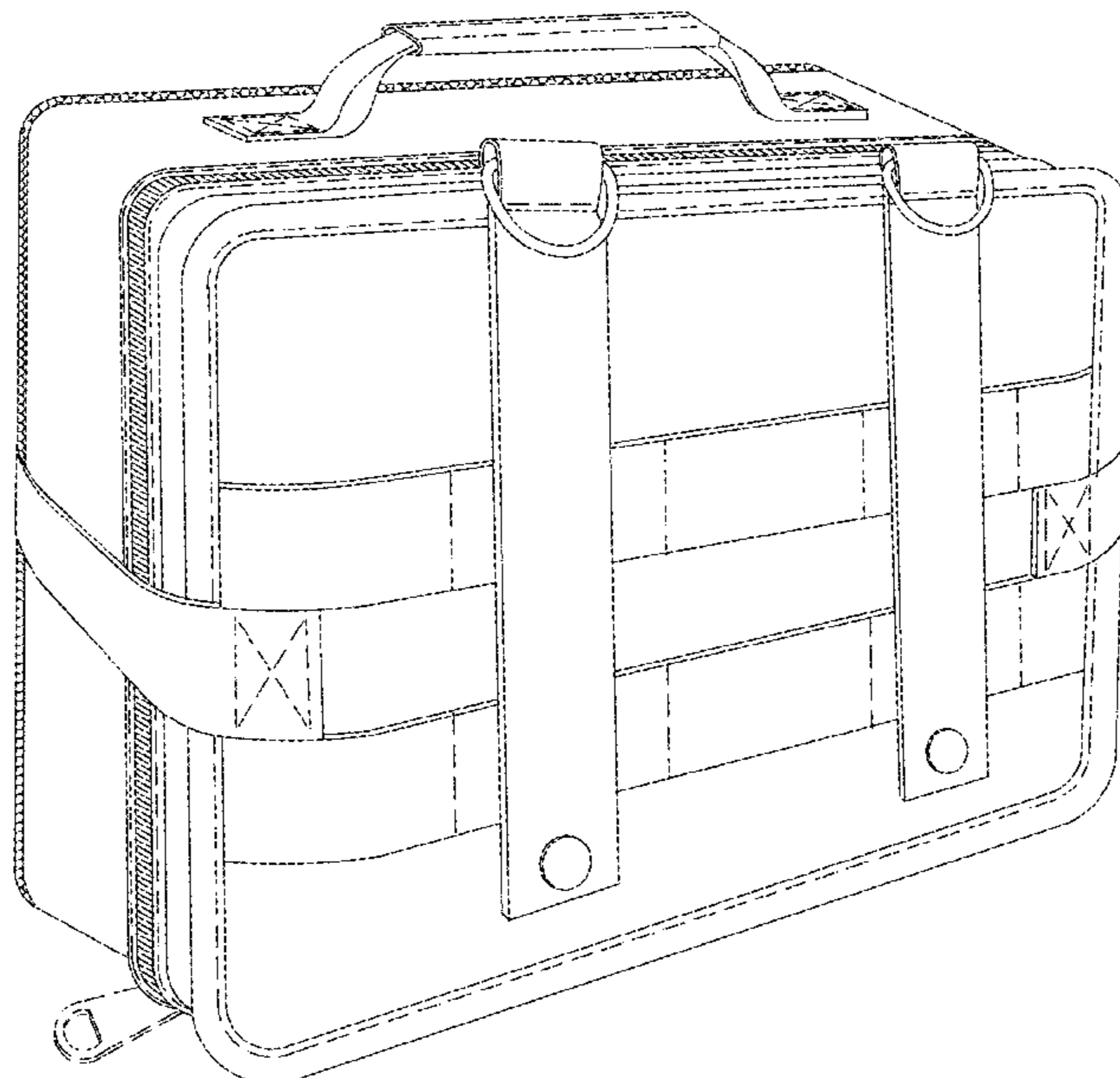
FIG. 1 is a front perspective view of the first aid kit showing my new design;
FIG. 2 is a front elevation view thereof;
FIG. 3 is a rear elevation view thereof;
FIG. 4 is a top plan view thereof;
FIG. 5 is a bottom plan view thereof;
FIG. 6 is a right side elevation view thereof; and,
FIG. 7 is a left side elevation view thereof.
The honeycomb stippling in the drawings represent the appearance of a reflective material.
In the drawings, the evenly-spaced broken lines depict portions of the article that form no part of the claimed design; the dash-dot-dash lines represent the boundary of the claimed design and forms no part thereof.

1 Claim, 7 Drawing Sheets

(56) **References Cited**

U.S. PATENT DOCUMENTS

1,625,547 A * 4/1927 Kessler A61F 17/00
206/570
2,324,194 A * 7/1943 Campiglia A61F 17/00
224/623
4,128,173 A * 12/1978 Lazarus A61B 17/3415
206/362
D293,509 S * 1/1988 Kim D3/283
D305,798 S * 1/1990 Say D3/203.6
D325,469 S * 4/1992 Kim D12/409
5,515,974 A * 5/1996 Higson A61F 17/00
206/570
D386,002 S * 11/1997 Hinkle D3/203.6
D418,287 S * 1/2000 Moor D3/201
D432,344 S * 10/2000 Eskandry D3/201
D449,158 S * 10/2001 Banks D3/205



(56)

References Cited

U.S. PATENT DOCUMENTS

7,565,979 B1 * 7/2009 Gibson A61J 7/04
 206/363
 D598,191 S * 8/2009 Tang D3/203.1
 D600,440 S * 9/2009 Gaikwad D3/203.1
 7,712,645 B2 * 5/2010 Calkin A61F 17/00
 224/649
 7,740,131 B2 * 6/2010 Marcello A45C 11/00
 206/38
 D619,801 S * 7/2010 Ma D3/203.6
 D621,152 S * 8/2010 Lebow D3/203.1
 D632,079 S * 2/2011 Spencer D3/301
 D632,477 S * 2/2011 Coleman D3/203.6
 D651,393 S * 1/2012 Coleman D3/203.6
 D657,125 S * 4/2012 Gold D3/203.1
 D663,944 S * 7/2012 Bouskill D3/203.1
 D663,945 S * 7/2012 Bouskill D3/203.1
 D671,309 S * 11/2012 Sharek D3/203.6
 D723,804 S * 3/2015 Coleman D3/301

D728,218 S * 5/2015 Goldstein D12/417
 D739,142 S * 9/2015 Coleman D3/285
 D739,655 S * 9/2015 Coleman D3/285
 D740,024 S * 10/2015 Walters D3/201
 D767,877 S * 10/2016 Halko D3/203.1
 D790,211 S * 6/2017 Constantini D3/205
 D796,843 S * 9/2017 Connor D3/285
 D800,444 S * 10/2017 Burton D3/203.1
 D800,445 S * 10/2017 Haeussinger D3/203.6
 D822,994 S * 7/2018 Currier D3/283
 D838,971 S * 1/2019 Deanda D3/203.6
 D840,675 S * 2/2019 Peris D3/203.1
 D845,613 S * 4/2019 Decker D3/203.1
 D845,614 S * 4/2019 Decker D3/203.1
 D845,626 S * 4/2019 Dunleavy D3/289
 10,251,721 B2 * 4/2019 Garratt A61B 50/20
 D855,308 S * 8/2019 Reynolds D3/203.1
 D872,871 S * 1/2020 Roberts D24/217
 2009/0152159 A1 * 6/2009 Beeman A61B 5/150305
 206/570

* cited by examiner

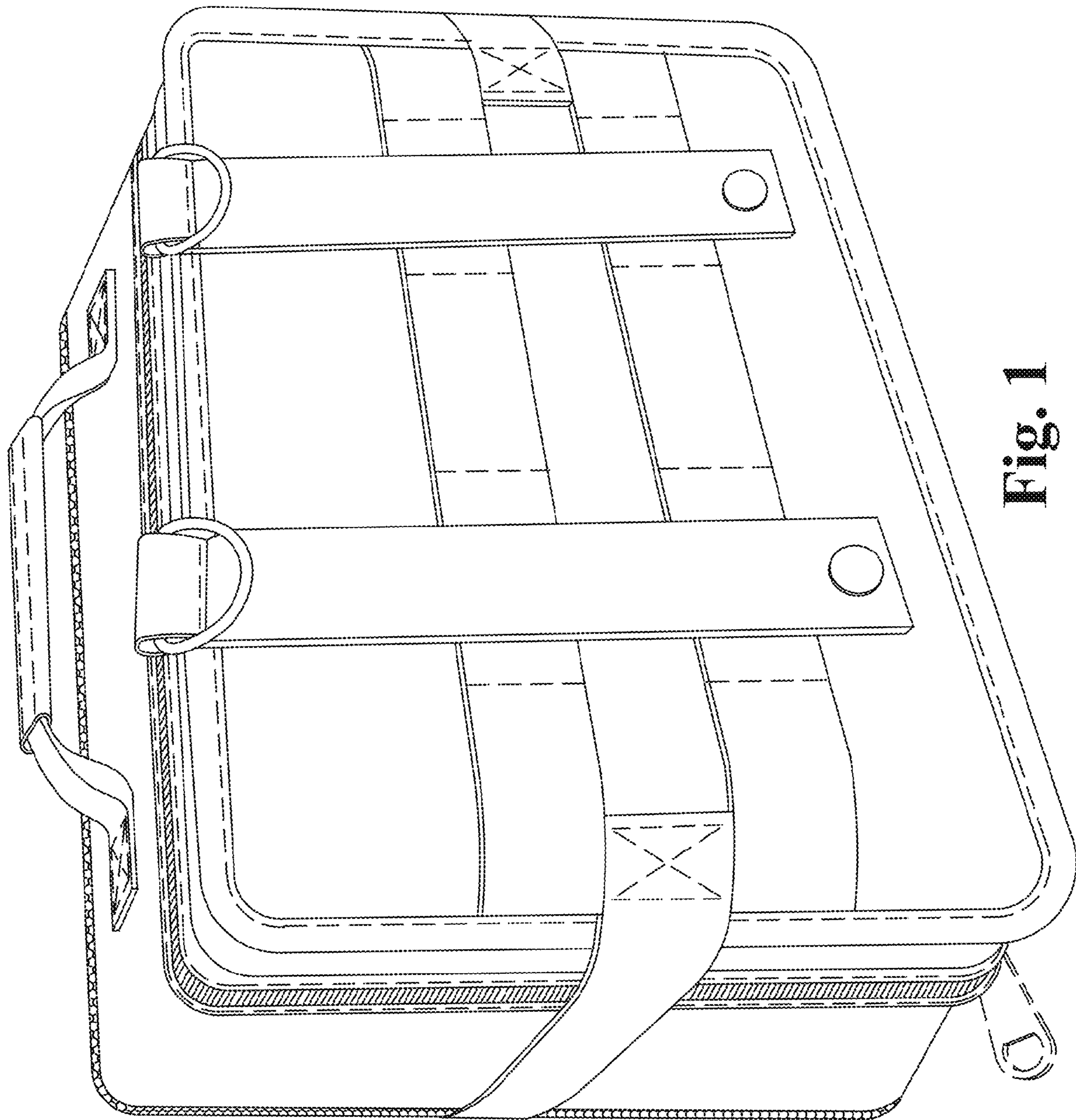


Fig. 1

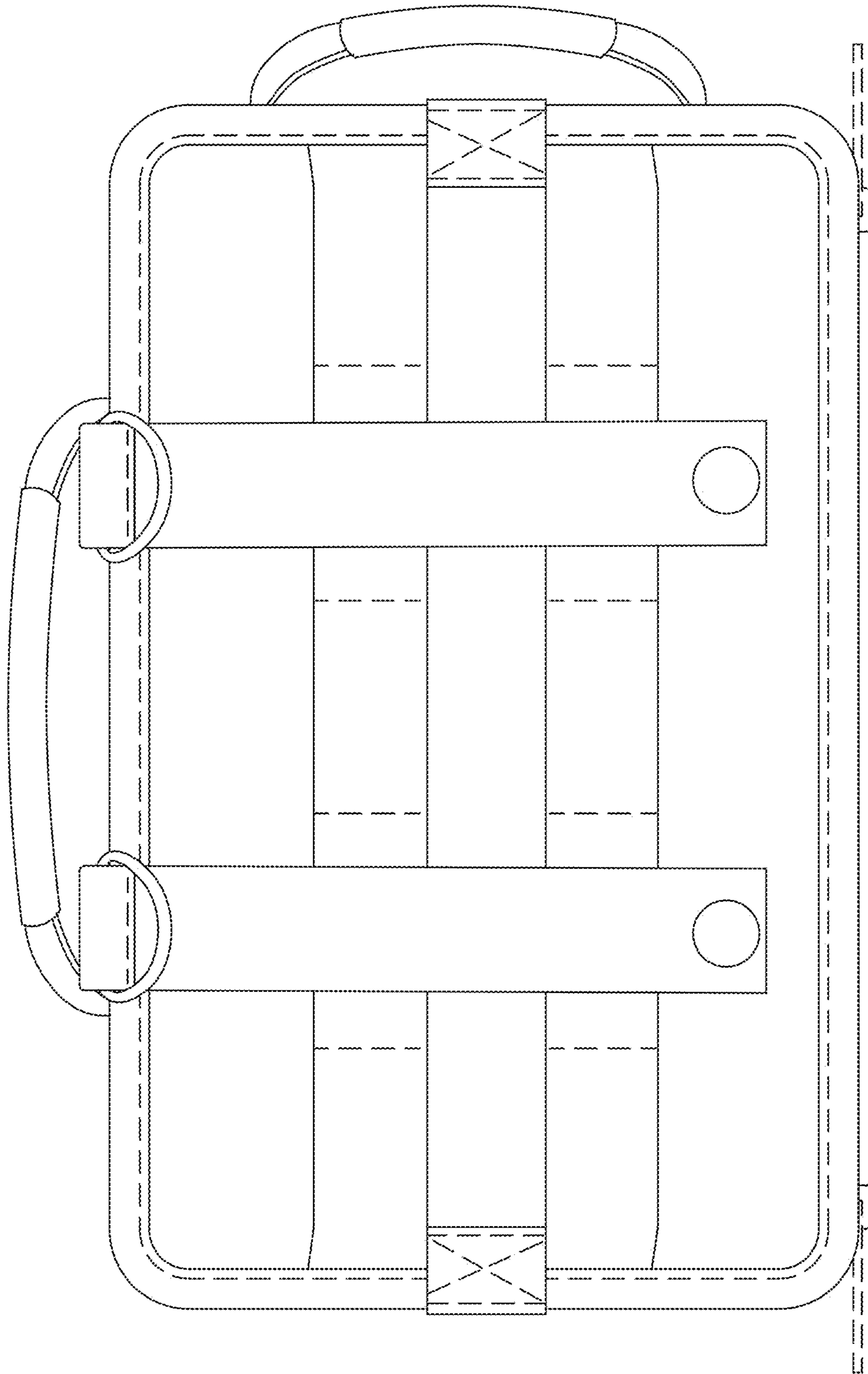


Fig. 2

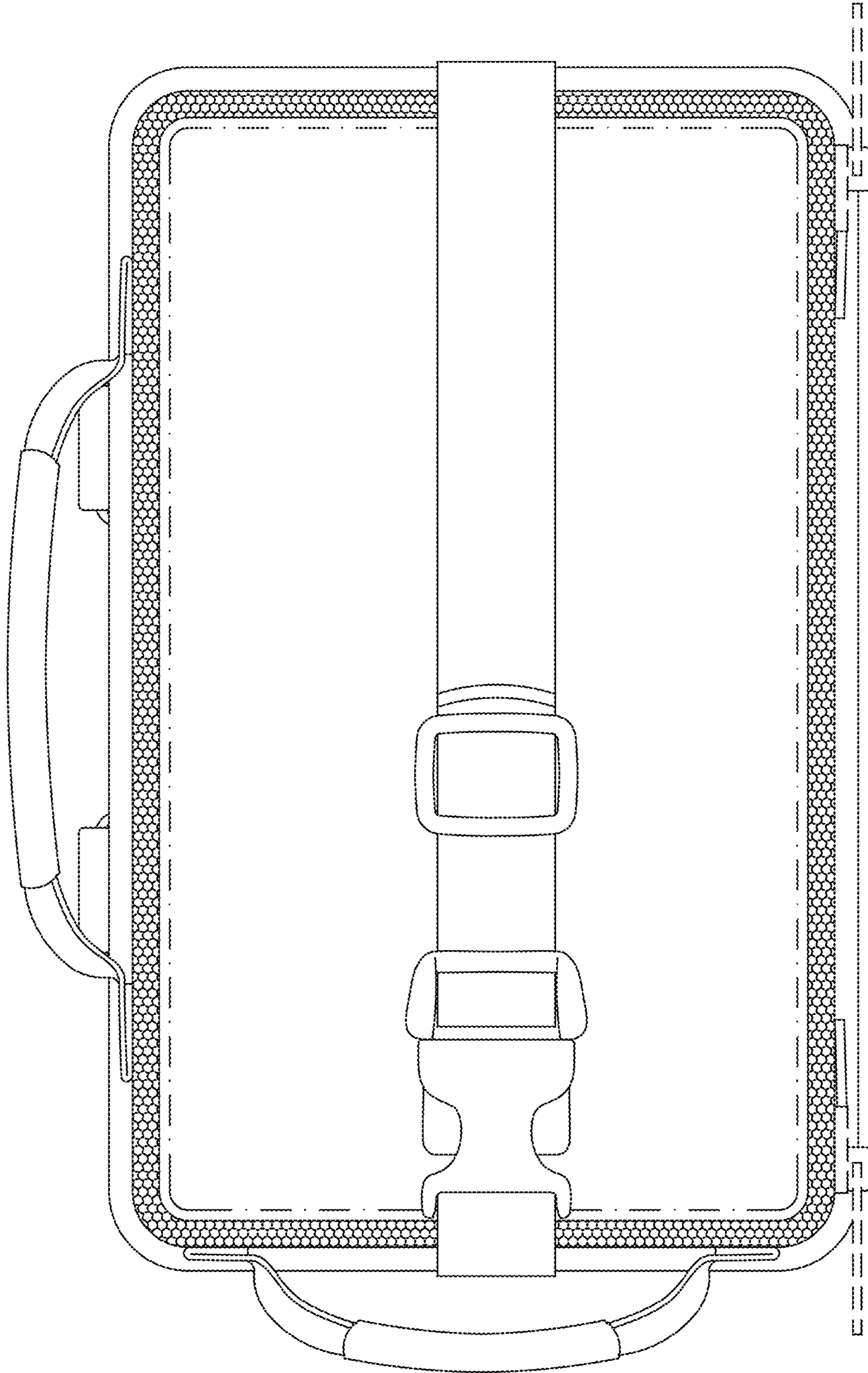


Fig. 3

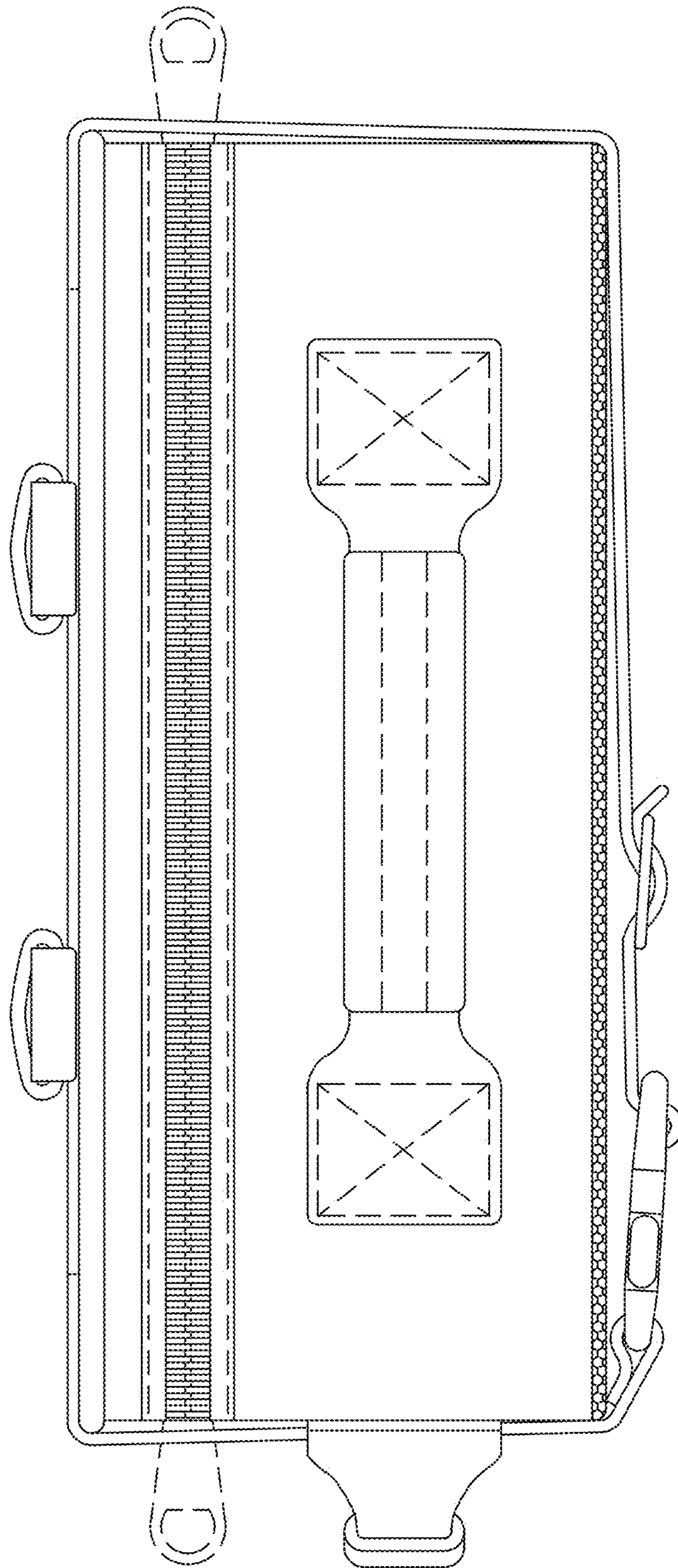


Fig. 4

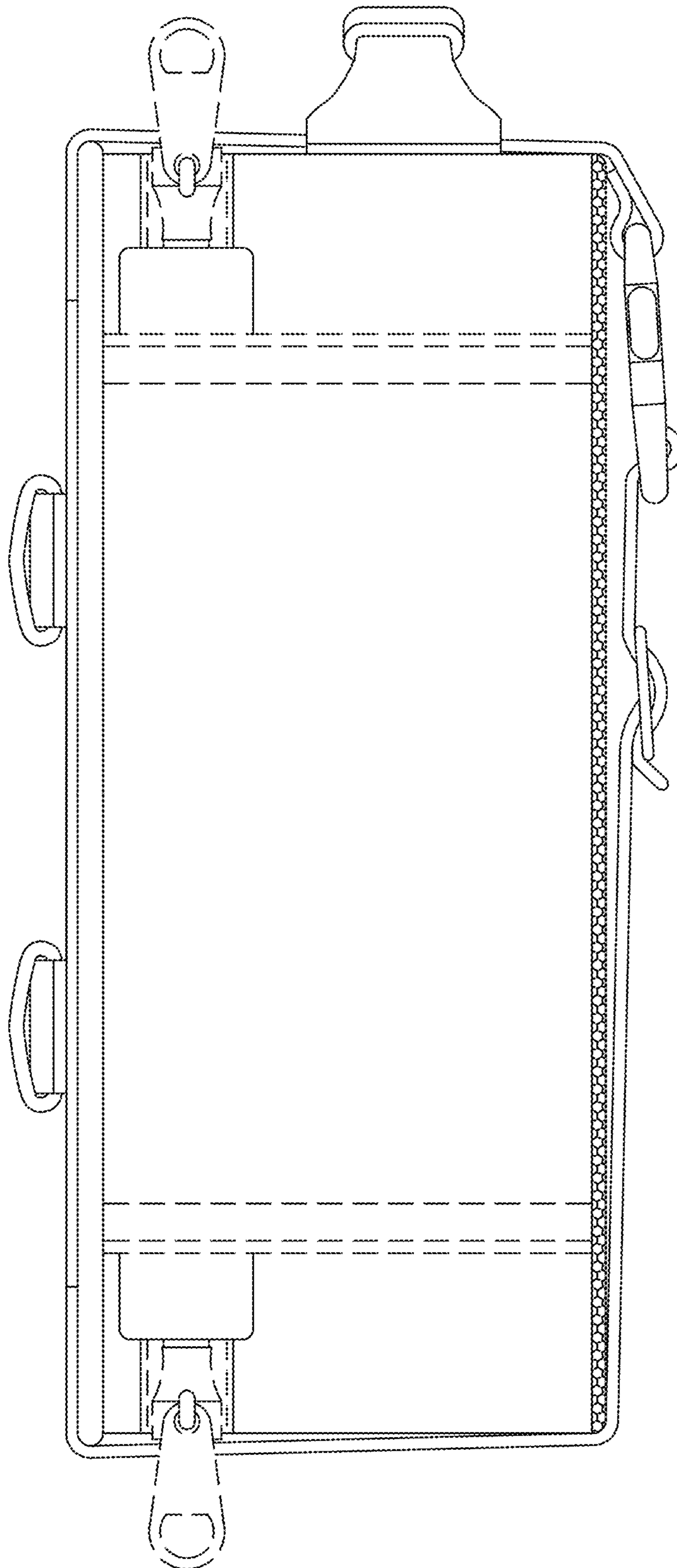


Fig. 5

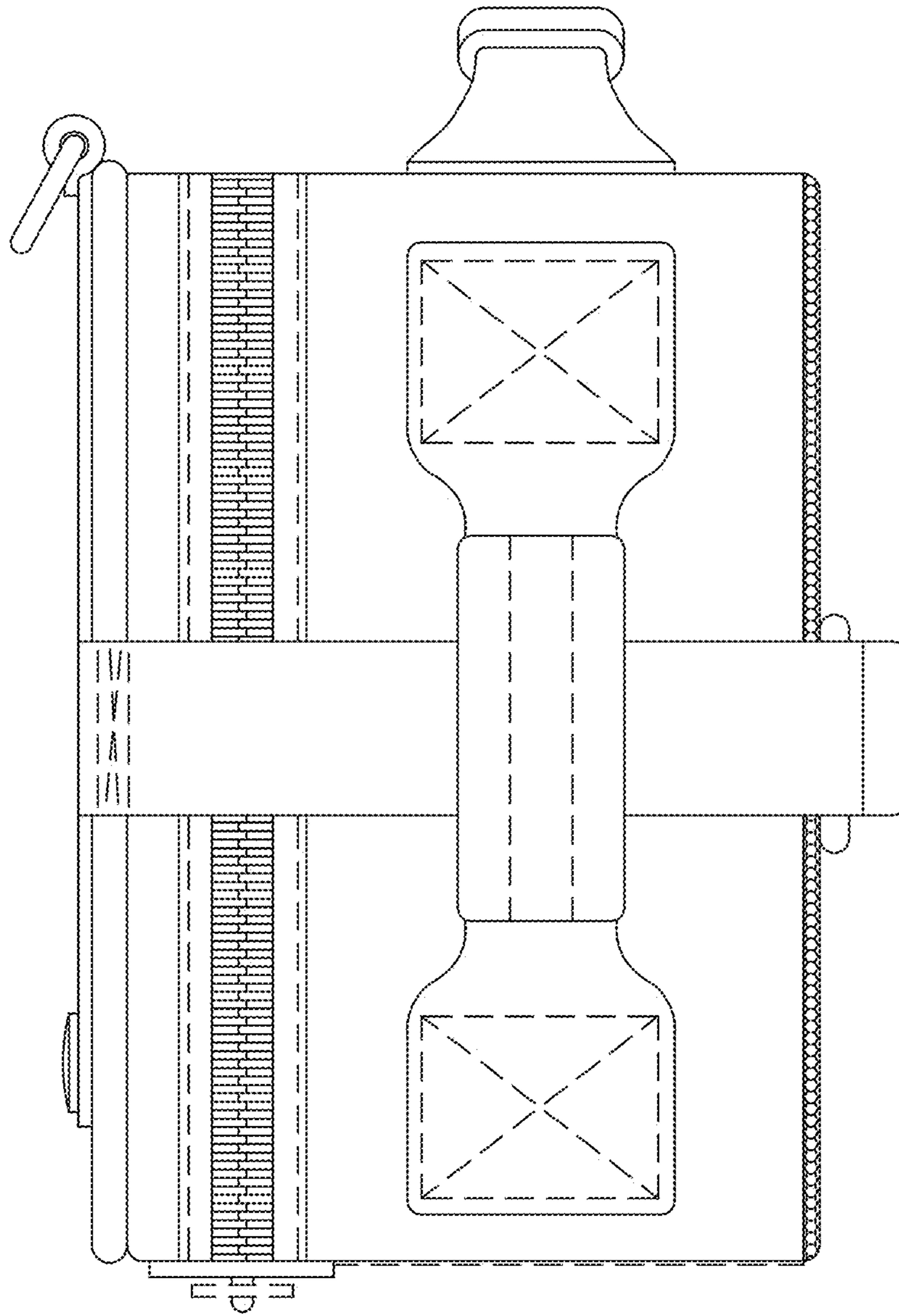


Fig. 6

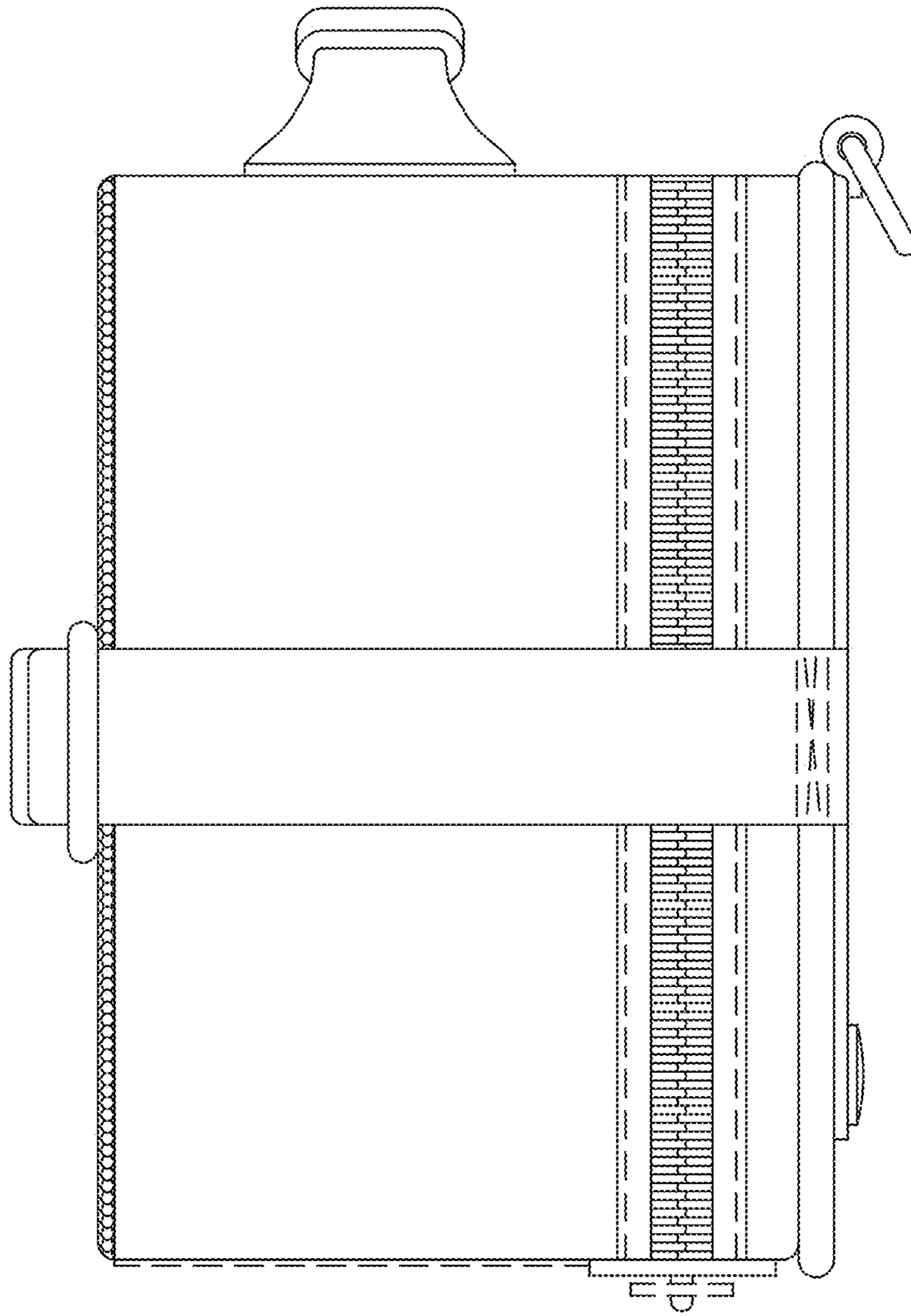


Fig. 7