



US00D926462S

(12) **United States Design Patent** (10) **Patent No.:** **US D926,462 S**
Burgon et al. (45) **Date of Patent:** **** Aug. 3, 2021**

- (54) **TRANSPARENT HIP FLASK**
- (71) Applicant: **RAGPROPER LLC**, South Jordan, UT (US)
- (72) Inventors: **Conor Burgon**, Salt Lake City, UT (US); **David Paul Toledo**, Salt Lake City, UT (US)
- (73) Assignee: **Ragproper LLC**, South Jordan, UT (US)
- (**) Term: **15 Years**
- (21) Appl. No.: **29/711,819**
- (22) Filed: **Nov. 3, 2019**
- (51) **LOC (13) Cl.** **09-02**
- (52) **U.S. Cl.**
USPC **D3/202**
- (58) **Field of Classification Search**
USPC D3/201, 202; D7/509, 510, 522; D9/737, 738, 739, 516, 530
CPC A47J 41/00; A47J 41/0005; A47J 41/0011; A47J 41/0083; A47J 41/024; A47J 41/026; A47G 19/22; A47G 19/2205; A45F 3/16; A45F 2200/0583
See application file for complete search history.

- D592,958 S * 5/2009 Perlmutter D9/522
 - D598,644 S * 8/2009 Solari D3/202
 - D645,358 S * 9/2011 de Monclin D9/611
 - D653,847 S * 2/2012 Seals D3/202
 - D673,855 S * 1/2013 Burgeson D9/522
- (Continued)

OTHER PUBLICATIONS

Ragproper Flask, youtube.com, <https://www.youtube.com/watch?v=5tNlmqBFMGo> (Year: 2018).*

Primary Examiner — Steven J Czyz
(74) *Attorney, Agent, or Firm* — Avant Law Group, LLC

(57) **CLAIM**

The ornamental design for a transparent hip flask, as shown and described.

DESCRIPTION

FIG. 1 is a perspective view of the transparent hip flask, shown together with a cap and a uniform funnel with a solitary notch for use with the transparent hip flask.

FIG. 2 is a front view of the transparent hip flask of FIG. 1.

FIG. 3 is a rear view of the transparent hip flask of FIG. 1.

FIG. 4 is a top view of the transparent hip flask of FIG. 1.

FIG. 5 is a bottom view of the transparent hip flask of FIG. 1.

FIG. 6 is a side view of the transparent hip flask of FIG. 1.

FIG. 7 is a detailed perspective view of the cap used with the transparent hip flask of FIG. 1; and,

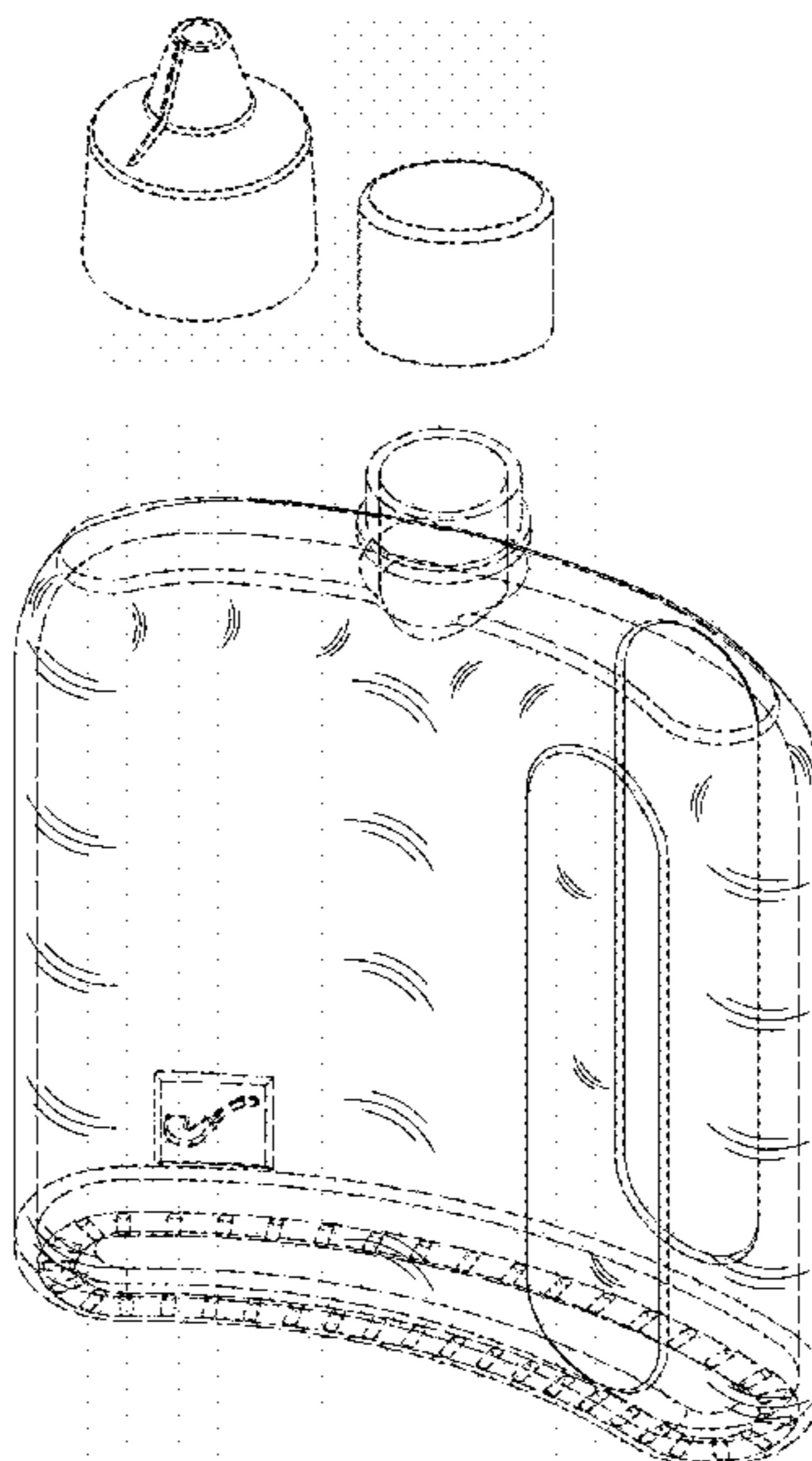
FIG. 8 is a detailed perspective view of a cap used with the transparent hip flask of FIG. 1, according to an alternate embodiment.

The curved triple-line groups in FIGS. 1 through 6 indicate both transparency and curvature. The broken lines depict portions of the article and environment that form no part of the claimed design.

(56) **References Cited**
U.S. PATENT DOCUMENTS

- D279,547 S * 7/1985 Tobias D9/522
- D345,916 S * 4/1994 Bondewel D9/516
- D351,904 S * 10/1994 Maze D24/224
- D407,210 S * 3/1999 Lauth, III D3/202
- D413,432 S * 9/1999 Much D3/202
- D469,357 S * 1/2003 Verherbrugghen D9/516
- D521,230 S * 5/2006 Linz D3/202
- D533,185 S * 12/2006 Ishida D14/203.2
- D562,138 S * 2/2008 Warner D9/522
- D589,355 S * 3/2009 Rica D9/544

1 Claim, 8 Drawing Sheets



(56)

References Cited

U.S. PATENT DOCUMENTS

D702,433 S * 4/2014 Romley D3/202
8,777,040 B2 * 7/2014 Wahl A47G 19/2266
220/254.6
D718,044 S * 11/2014 Vargo D3/202
D730,317 S * 5/2015 Silvera D14/207
D736,517 S * 8/2015 Lee D3/202
D746,261 S * 12/2015 Silvera D14/207
D758,868 S * 6/2016 Bretschneider D9/522
D775,530 S * 1/2017 Gayner D9/563
D786,024 S * 5/2017 Panone D7/624.2
D806,379 S * 1/2018 Korfonta D3/202
D816,983 S * 5/2018 LiCalsi D3/202
D825,914 S * 8/2018 Dent D3/202
D826,548 S * 8/2018 Hume D3/202
D836,904 S * 1/2019 Arman D3/202
D836,905 S * 1/2019 Kehoe D3/202
D838,472 S * 1/2019 Gauss D3/202
D854,272 S * 7/2019 Compton D34/2
D854,813 S * 7/2019 Urmston D3/202
D857,374 S * 8/2019 Lane D3/202
D858,197 S * 9/2019 Smiedt D7/510
D876,815 S * 3/2020 Lane D3/202
D889,114 S * 7/2020 Huang D3/202
2004/0020950 A1 * 2/2004 Overbay A45F 3/18
224/148.7
2005/0247732 A1 * 11/2005 Duke B65D 75/5883
222/183

* cited by examiner

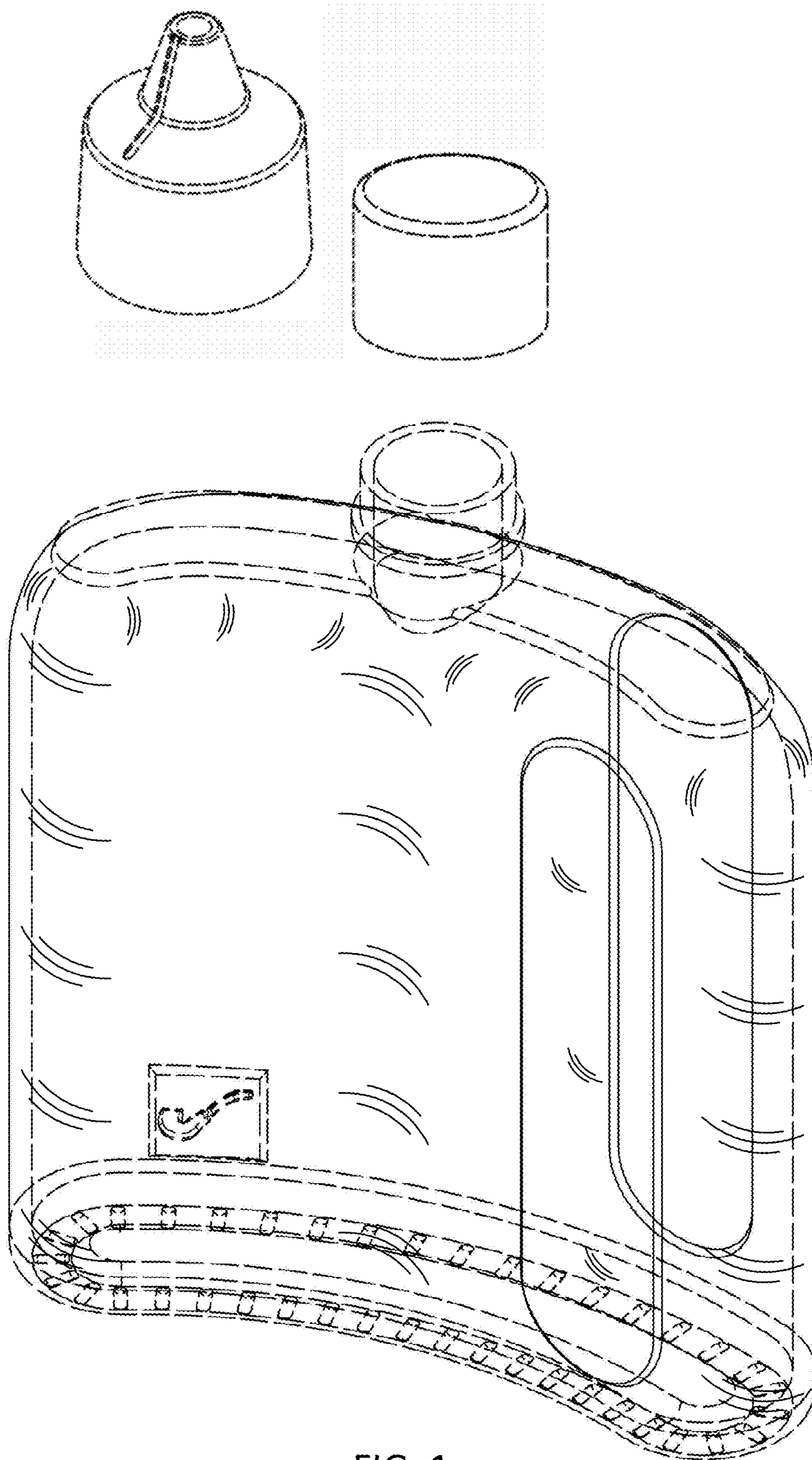


FIG. 1

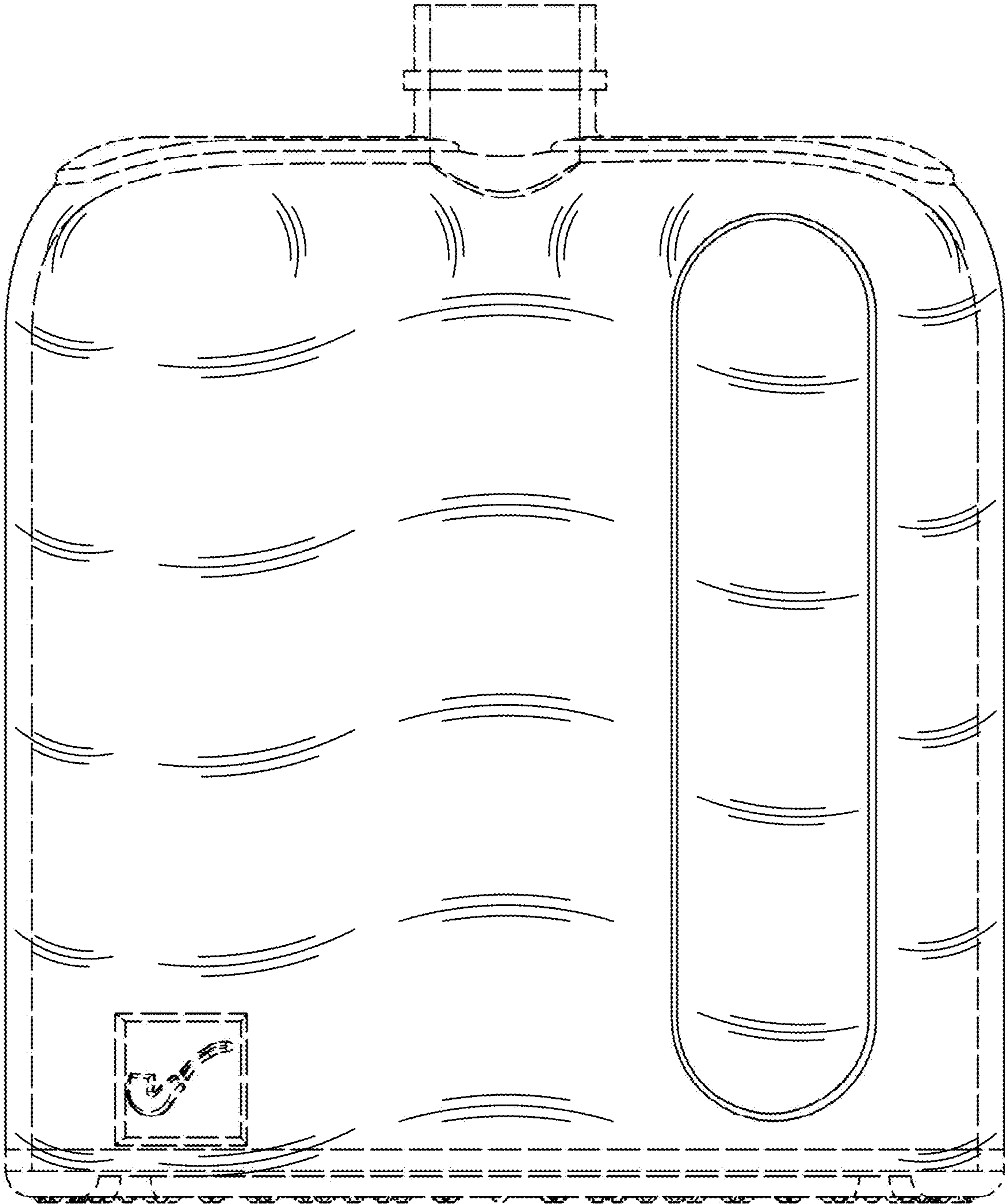


FIG. 2

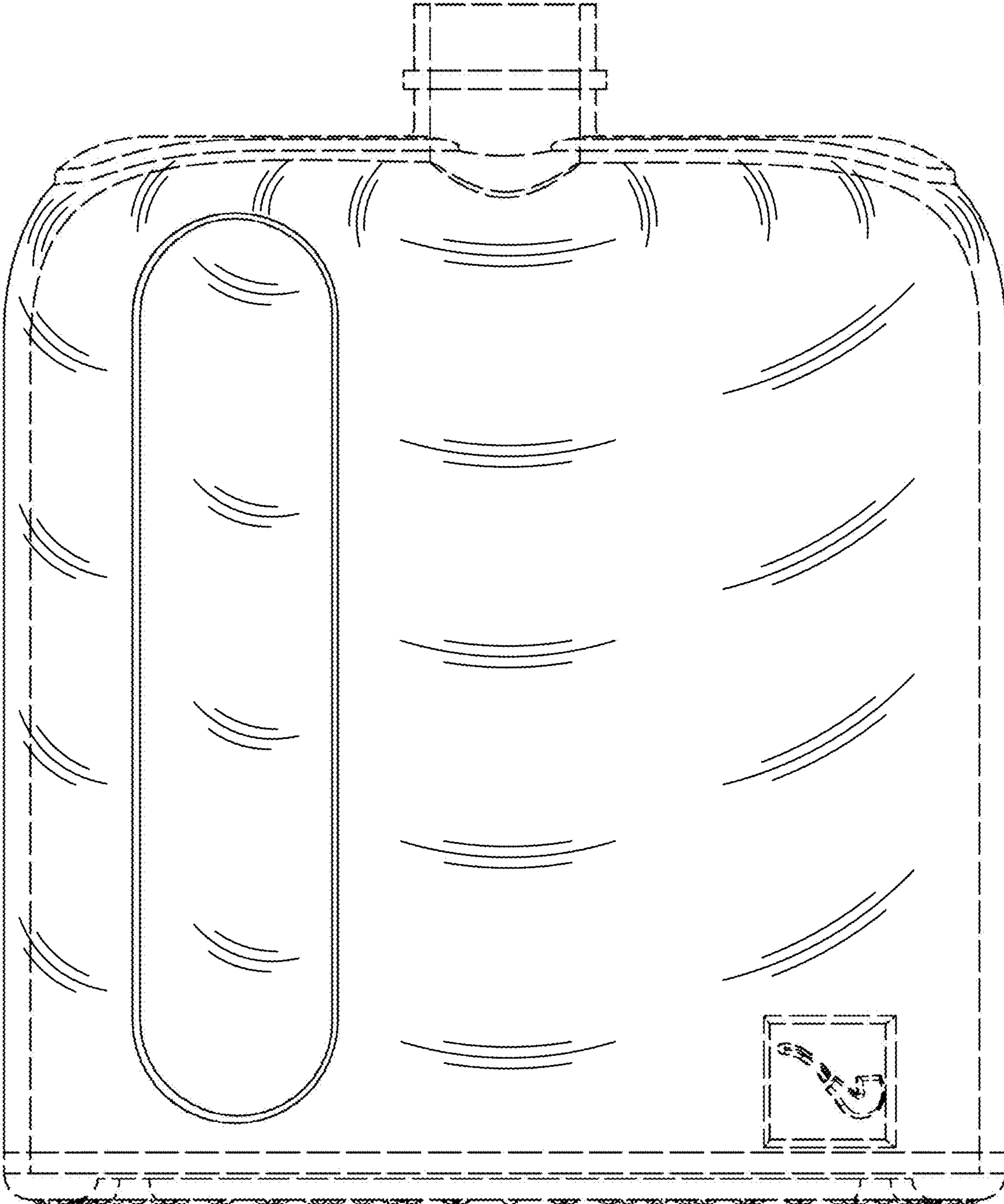


FIG. 3

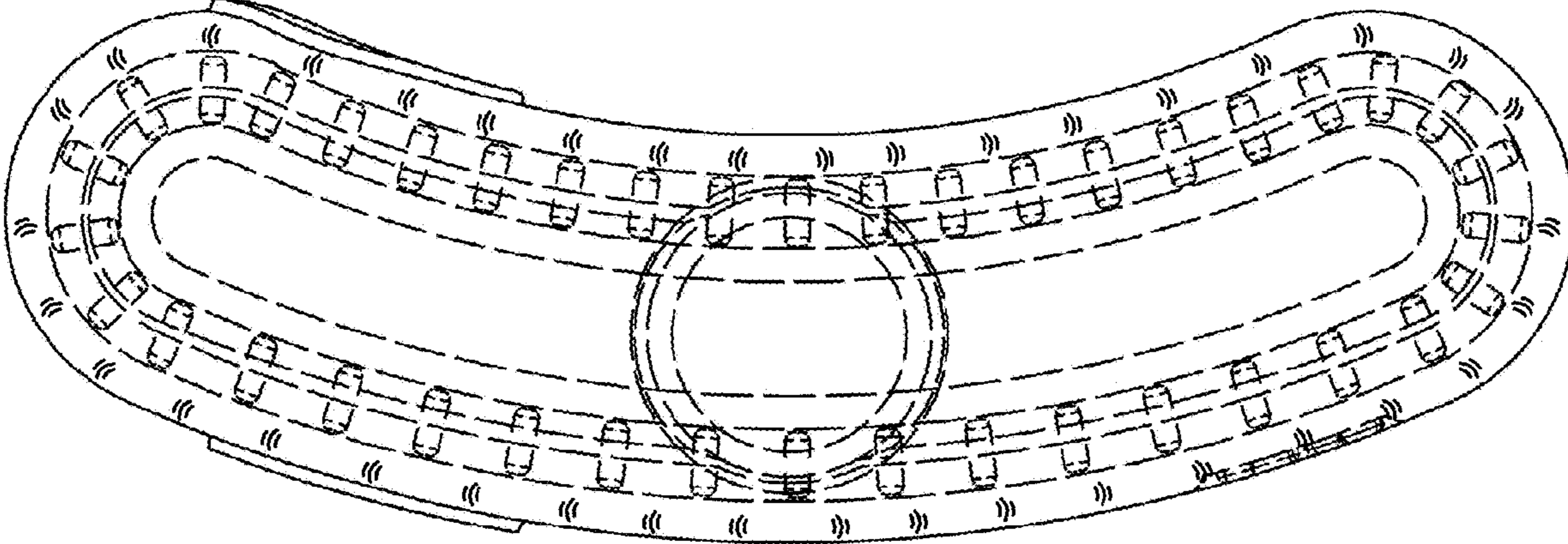


FIG. 4

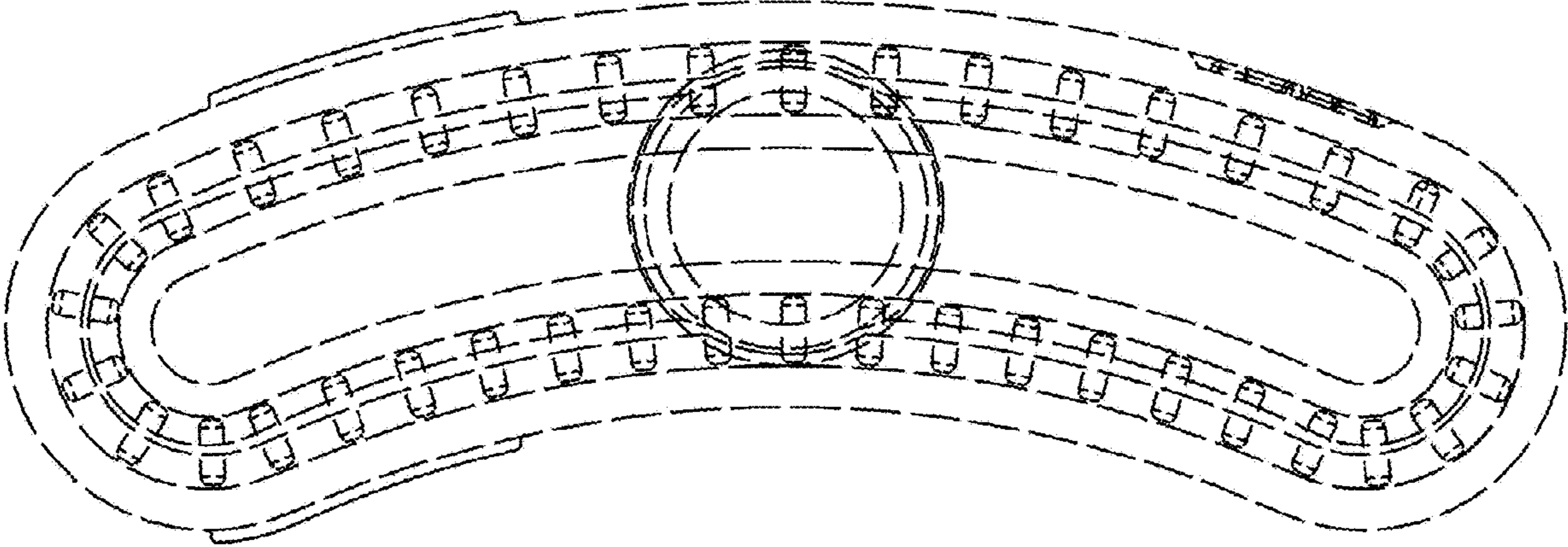


FIG. 5

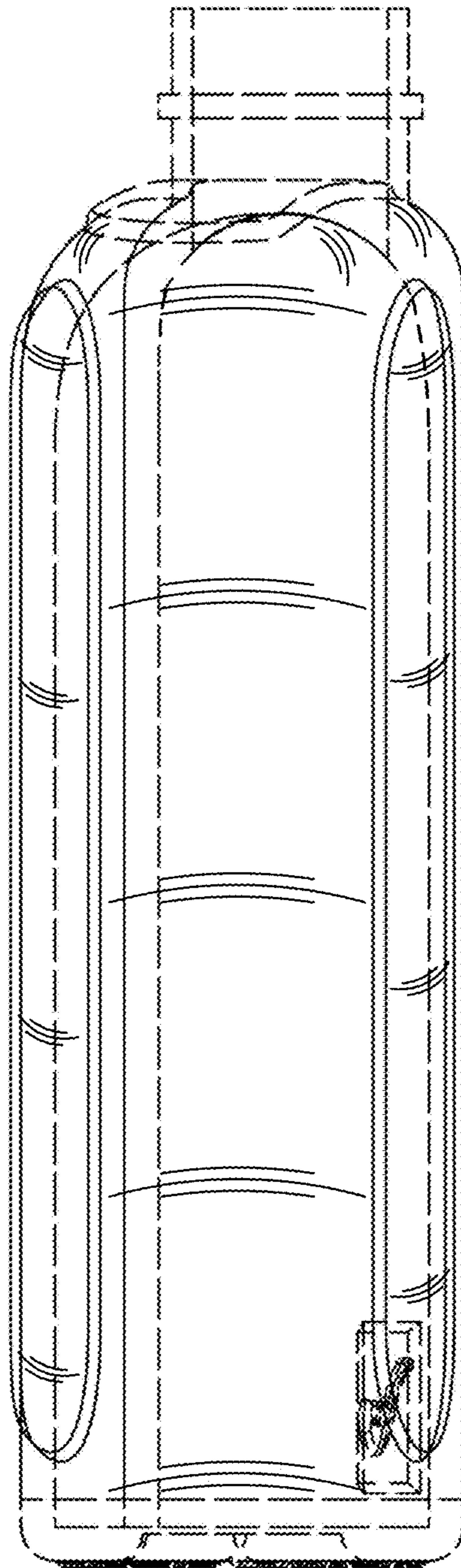


FIG. 6

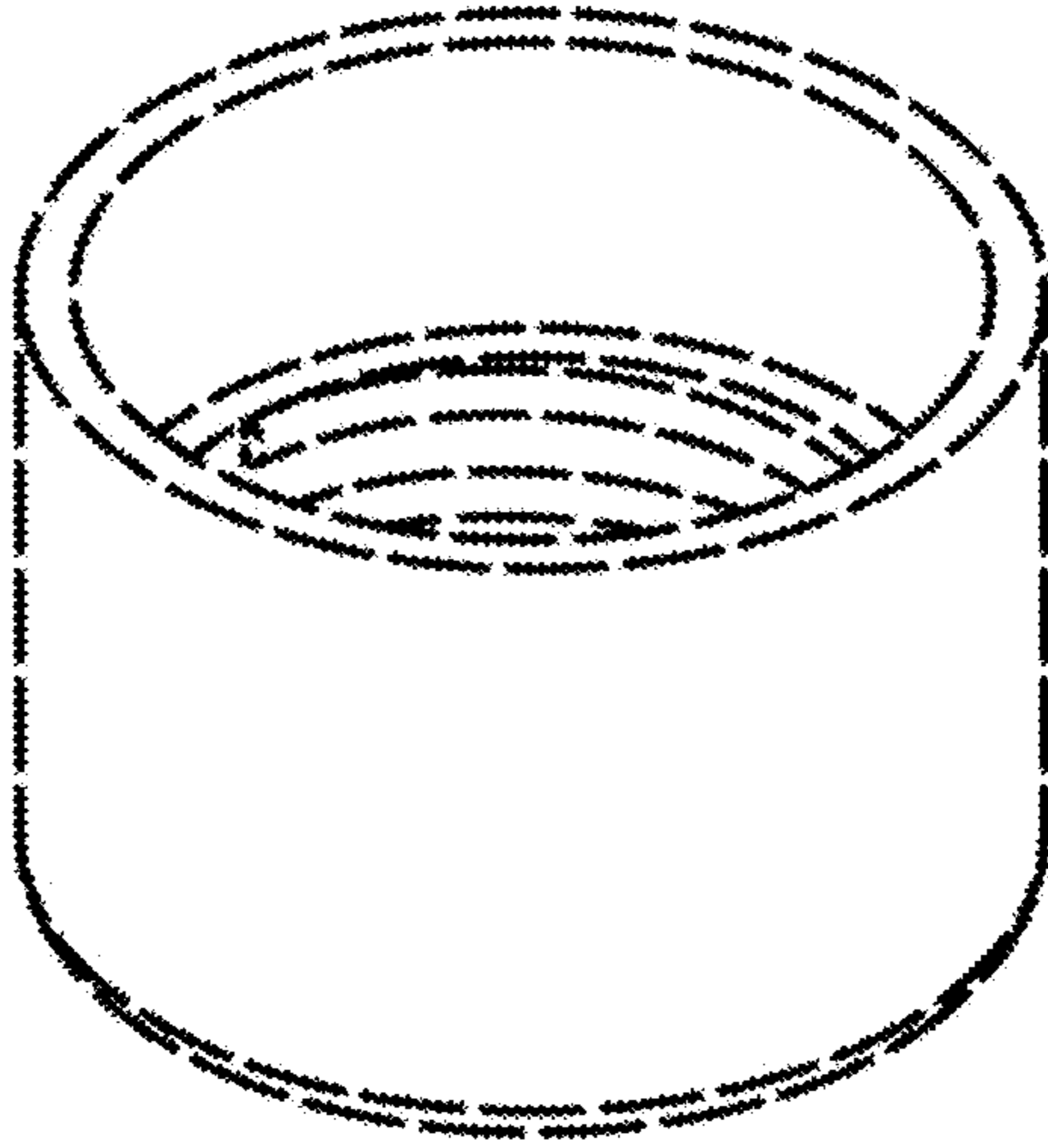


FIG. 7

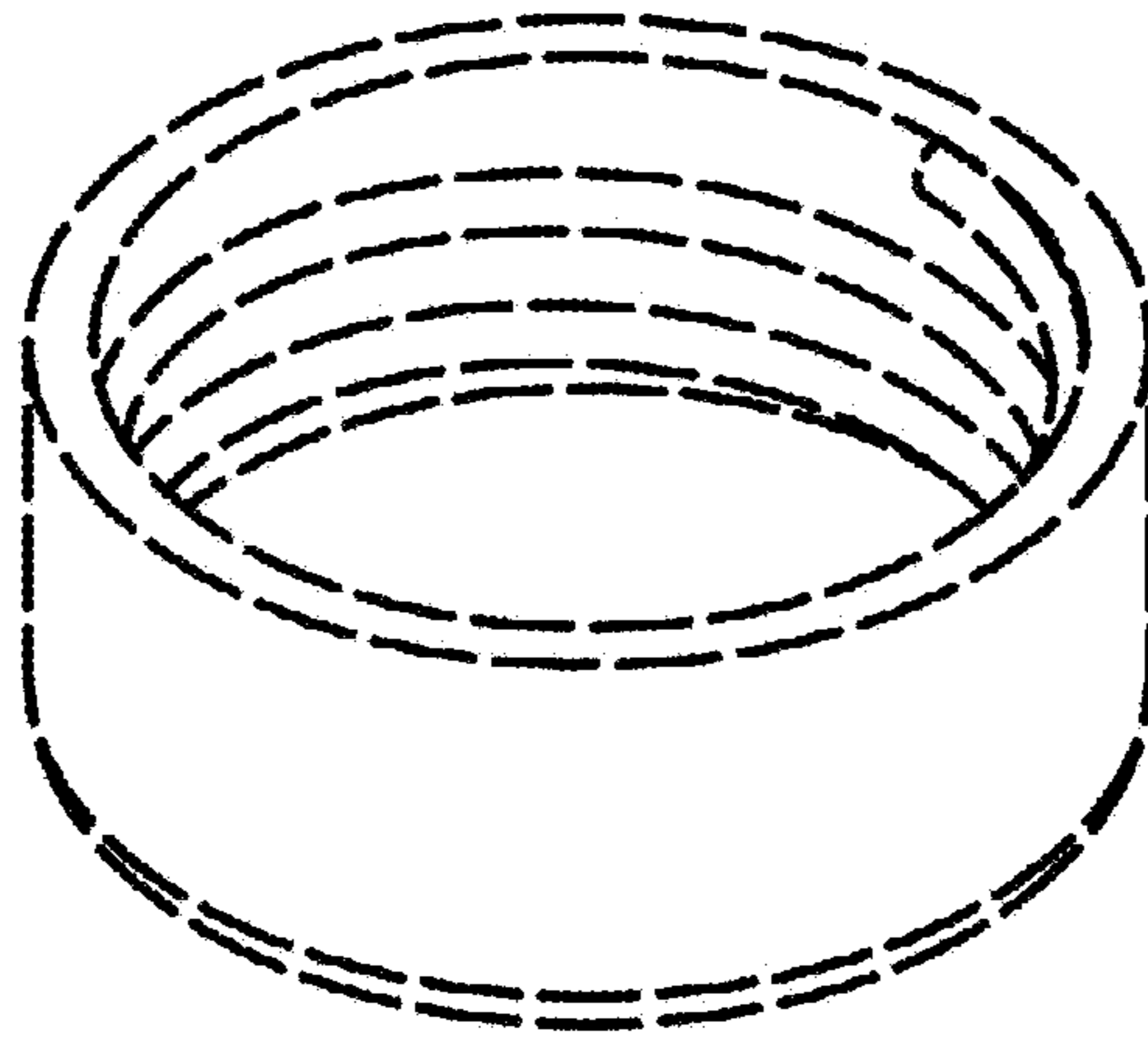


FIG. 8