



US00D926458S

(12) **United States Design Patent** (10) **Patent No.:** **US D926,458 S**  
**Swanson et al.** (45) **Date of Patent:** **\*\* Aug. 3, 2021**

- (54) **LACE TIGHTENING DEVICE DIAL**
- (71) Applicant: **Boa Technology, Inc.**, Denver, CO (US)
- (72) Inventors: **Erik Anders Swanson**, Denver, CO (US); **Taylor James DiTallo**, Denver, CO (US); **Jesse Daniel Cotterman**, Denver, CO (US)
- (73) Assignee: **BOA TECHNOLOGY, INC.**, Denver, CO (US)
- (\*\*) Term: **15 Years**
- (21) Appl. No.: **29/688,184**
- (22) Filed: **Apr. 18, 2019**
- (51) **LOC (13) Cl.** ..... **02-07**
- (52) **U.S. Cl.**  
 USPC ..... **D2/978**
- (58) **Field of Classification Search**  
 USPC ..... D2/896-899, 902, 907, 946, 976, 978  
 CPC .. A43C 1/003; A43C 9/04; A43C 7/00; A43C 11/00; A43C 13/10; A43C 7/08; A43C 7/005; A43B 3/0021  
 See application file for complete search history.
- (56) **References Cited**  
 U.S. PATENT DOCUMENTS  
 D367,755 S \* 3/1996 Jones ..... D2/978  
 D482,853 S \* 12/2003 Peabody ..... D2/962  
 D535,810 S \* 1/2007 Simpson ..... D2/946

- D735,987 S \* 8/2015 Hsu ..... D2/978  
 D751,281 S \* 3/2016 Nickel ..... D2/978  
 D758,061 S \* 6/2016 Whewell ..... D2/978  
 D788,446 S \* 6/2017 Wiingaard-Madsen ..... D2/978  
 D799,810 S \* 10/2017 Mayberry ..... A43B 5/1666  
 D2/978  
 2010/0251524 A1\* 10/2010 Chen ..... A43C 11/165  
 24/713.2
- \* cited by examiner
- Primary Examiner* — Rashida C. Walshon  
 (74) *Attorney, Agent, or Firm* — Kilpatrick Townsend & Stockton, LLP

(57) **CLAIM**

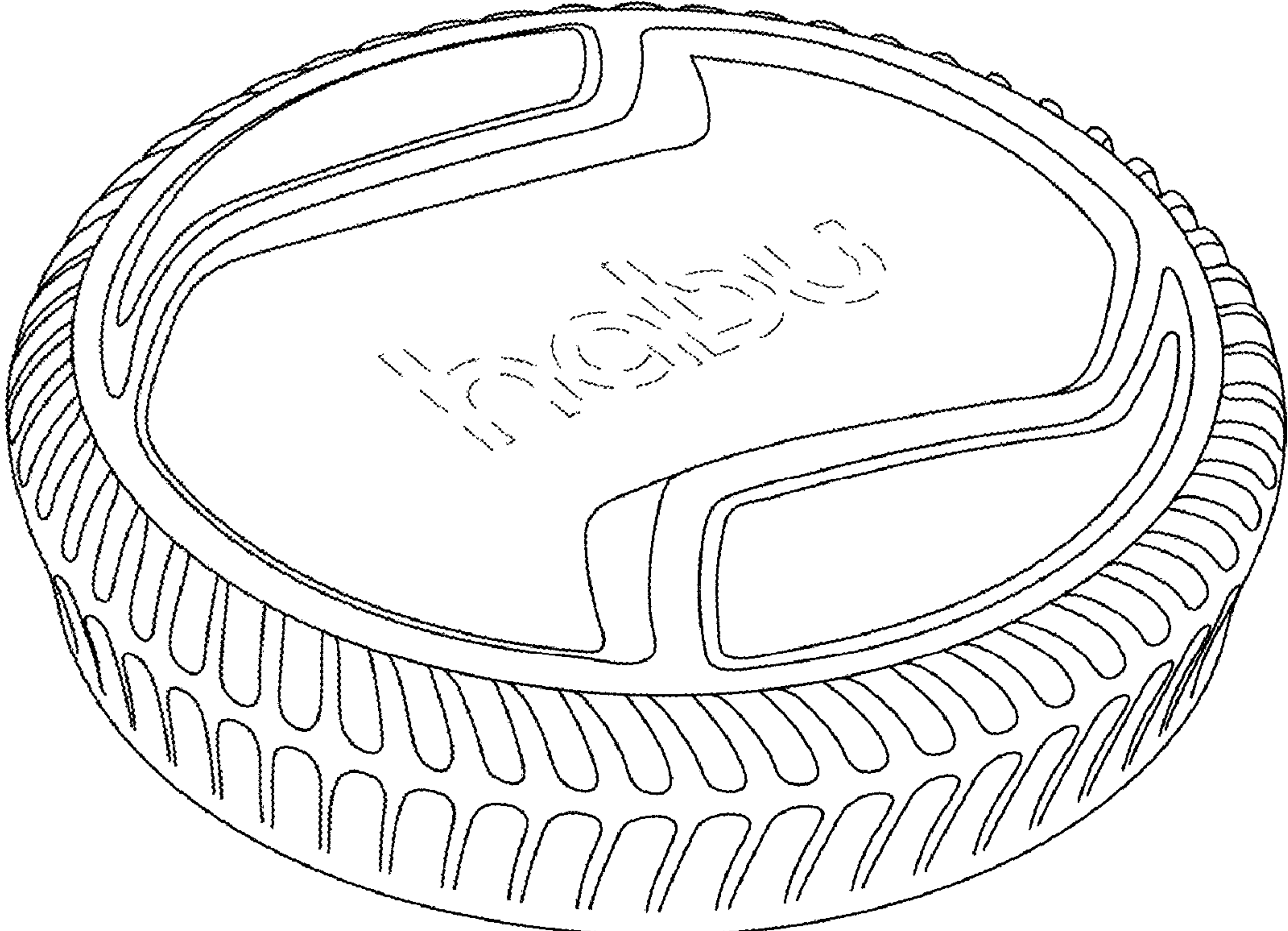
We claim the ornamental design for a lace tightening device dial, substantially as shown and described.

**DESCRIPTION**

FIG. 1 is a perspective view of the lace tightening device dial;  
 FIG. 2 is a top view of the lace tightening device dial;  
 FIG. 3 is a bottom view of the lace tightening device dial;  
 FIG. 4 is a front view of the lace tightening device dial;  
 FIG. 5 is a back view of the lace tightening device dial;  
 FIG. 6 is a first side view of the lace tightening device dial;  
 and,  
 FIG. 7 is a second side view of the lace tightening device dial.

The broken lines in the drawings represent environment that form no part of the claim.

**1 Claim, 4 Drawing Sheets**



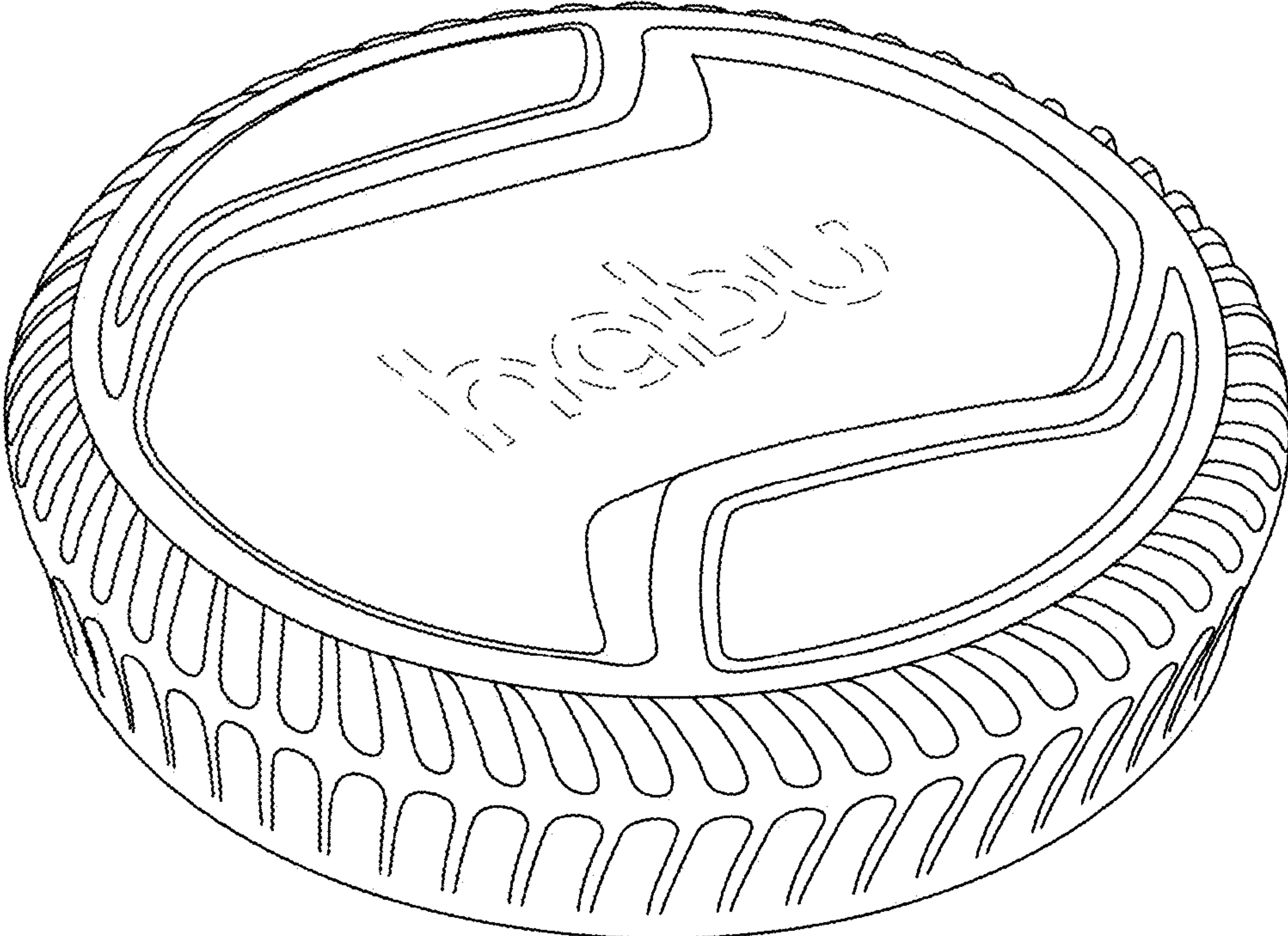


FIG. 1

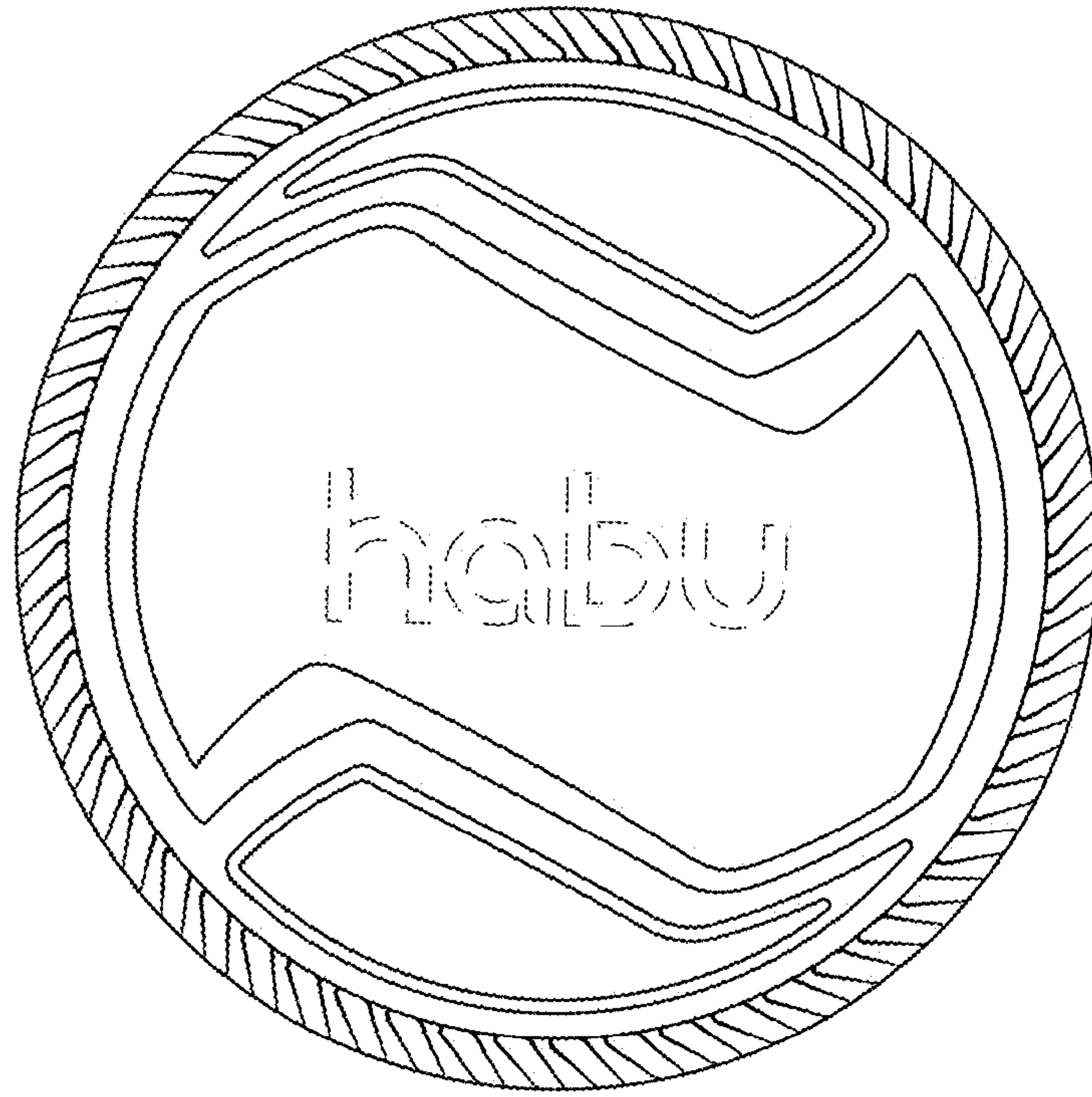


FIG. 2

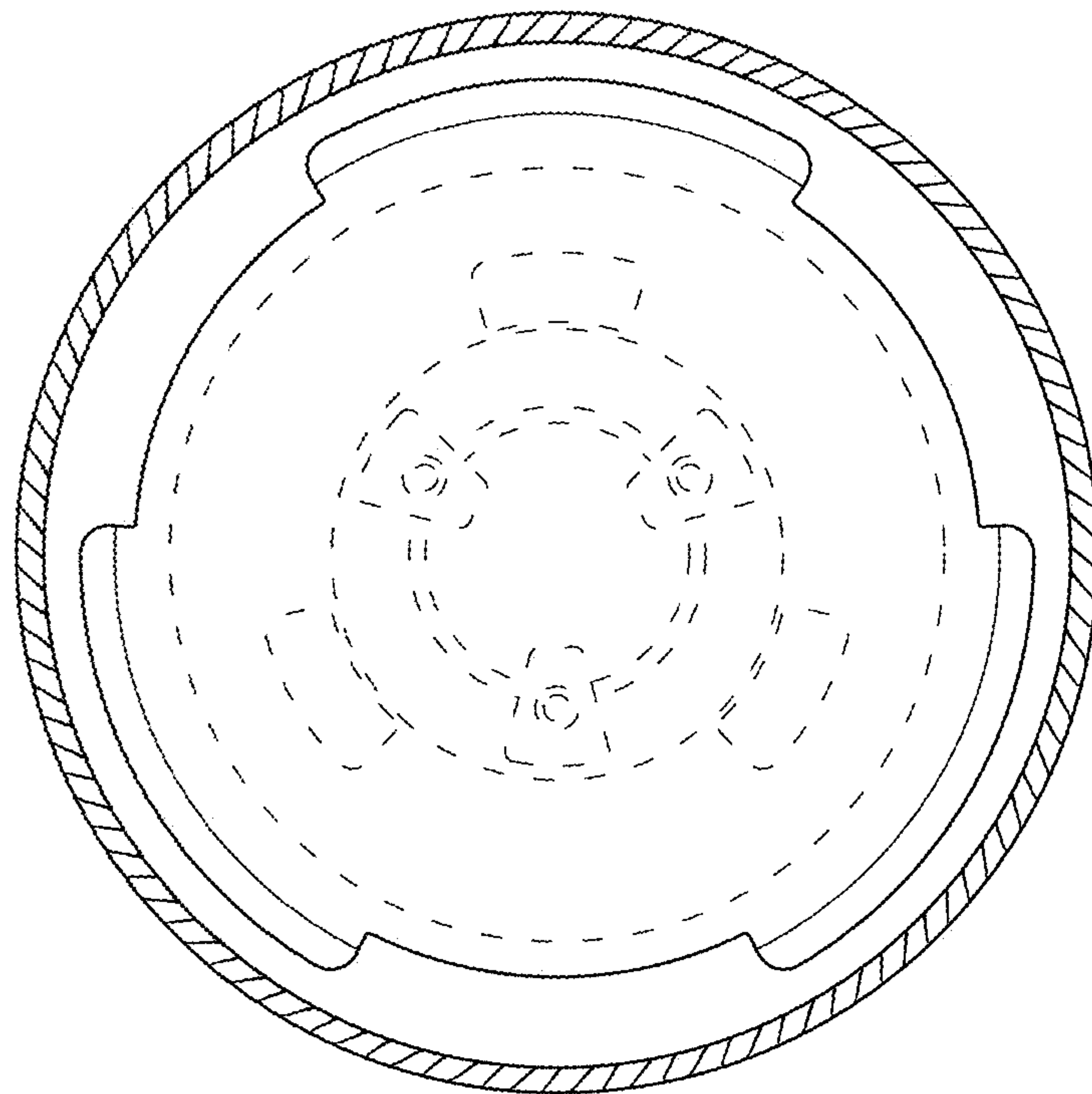


FIG. 3



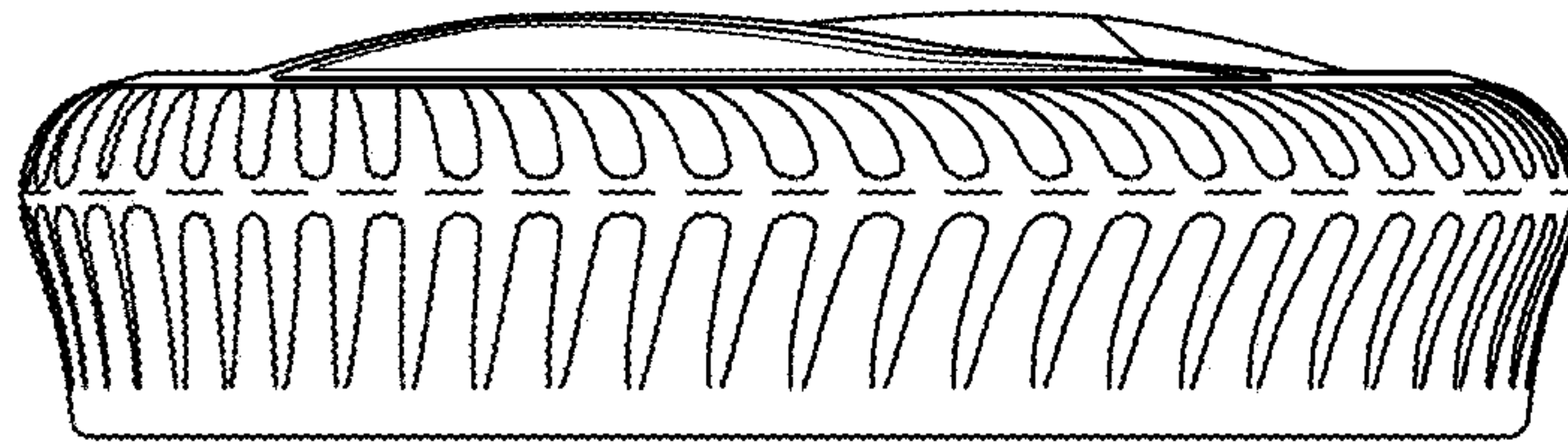


FIG. 4

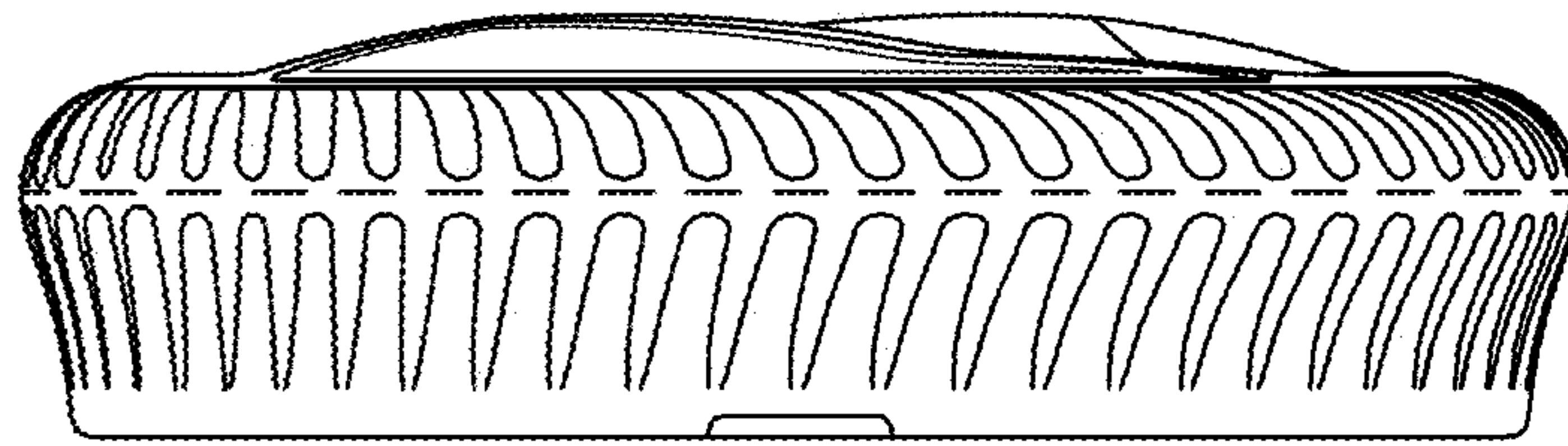


FIG. 5

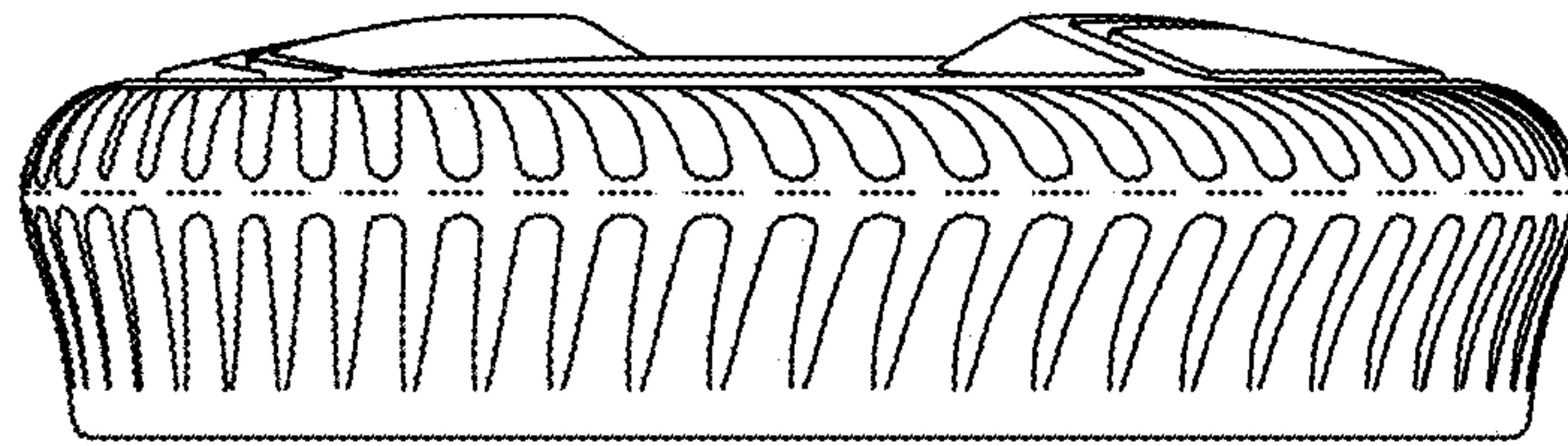


FIG. 6

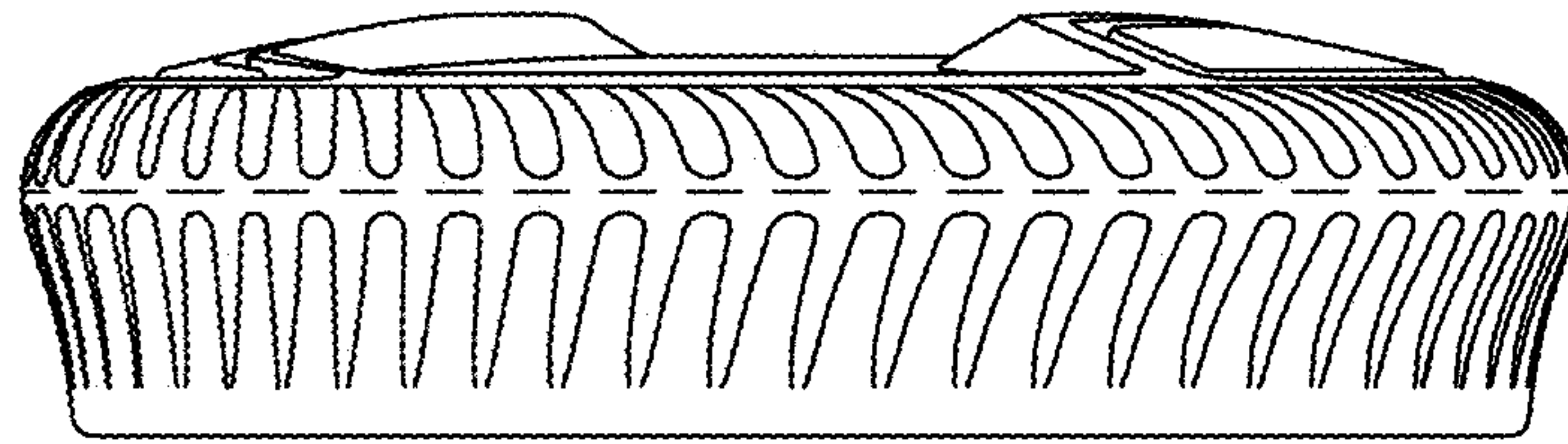


FIG. 7