



US00D926444S

(12) **United States Design Patent** (10) **Patent No.:** **US D926,444 S**
Shoemaker (45) **Date of Patent:** **** Aug. 3, 2021**

(54) **HAIR TOWEL**

(71) Applicant: **Ryan Shoemaker**, Omaha, NE (US)

(72) Inventor: **Ryan Shoemaker**, Omaha, NE (US)

(**) Term: **15 Years**

(21) Appl. No.: **29/723,607**

(22) Filed: **Feb. 7, 2020**

(51) **LOC (13) Cl.** **02-03**

(52) **U.S. Cl.**

USPC **D2/880**

(58) **Field of Classification Search**

USPC D2/865, 866, 867, 868, 870, 874, 877,
D2/878, 880, 881, 883, 889

CPC A41D 23/00; A41G 5/0093; A42B 1/00;
A42B 1/02; A42B 1/04; A42B 1/041;
A42B 1/061; A42B 1/066; A42B 1/201;
A45D 8/40; A45D 19/18; A45D 20/18

See application file for complete search history.

(56) **References Cited**

U.S. PATENT DOCUMENTS

1,809,511	A *	6/1931	Davis	A42B 1/041 132/274
D110,416	S *	7/1938	Goodman	D2/869
2,167,228	A *	7/1939	Wood	A41D 23/00 2/207
D123,134	S *	10/1940	Rosenthal et al.	D2/881
D129,748	S *	9/1941	Oppenheimer	D2/870
D133,497	S *	8/1942	Ross	D2/870
D365,432	S *	12/1995	Buccelli	D2/881
D621,139	S *	8/2010	Andreoni	D2/880
D753,373	S *	4/2016	Esmer	D2/880
D877,463	S *	3/2020	Blocker	D2/880

(Continued)

OTHER PUBLICATIONS

Ginger Braided Hair Towel, [online]; [review published to the Internet on Jan. 26, 2021]; [retrieved from the Internet on Mar. 20,

2021]; URL: <https://www.hairacter.com/collections/braided-hair-towels/products/braided-hair-towel-ginger>. (5 pgs).*

(Continued)

Primary Examiner — Jasmine Mlinarcik

(74) *Attorney, Agent, or Firm* — Suiter Swantz pc llo

(57) **CLAIM**

The ornamental design for a hair towel, as shown and described.

DESCRIPTION

FIG. 1 is a perspective view of a hair towel including a braided portion;

FIG. 2 is a side view of a hair towel including a braided portion;

FIG. 3 is a side view of a hair towel including a braided portion;

FIG. 4 is a top view of a hair towel including a braided portion;

FIG. 5 is a bottom view of a hair towel including a braided portion;

FIG. 6 is a rear view of a hair towel including a braided portion;

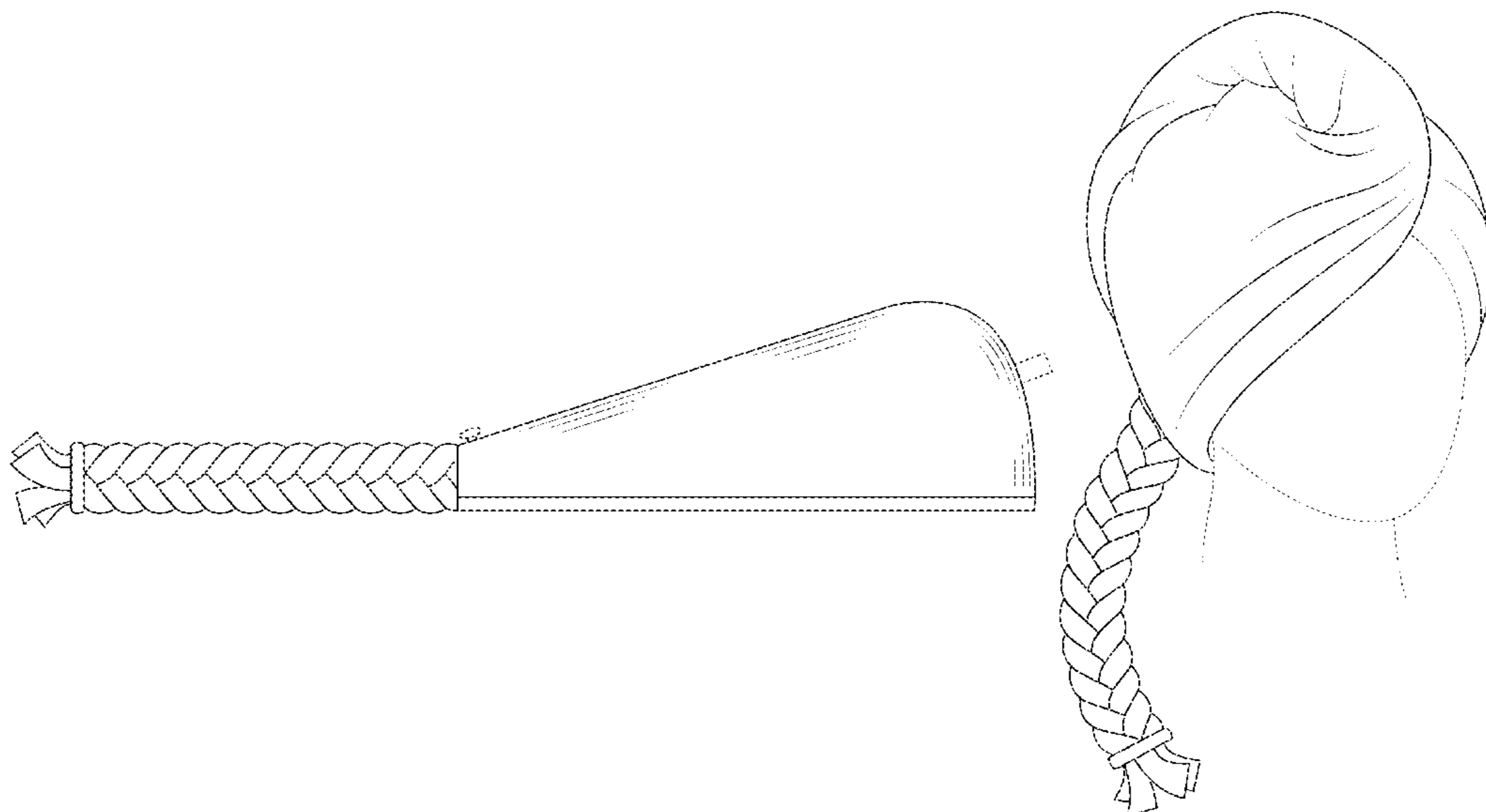
FIG. 7 is a front view of a hair towel including a braided portion;

FIG. 8 is a front perspective view of a hair towel including a braided portion in a wrapped configuration as applied to a user; and,

FIG. 9 is a rear perspective view of a hair towel including a braided portion in a wrapped configuration as applied to a user.

The broken line outlines of elements on the hair towel depict portions of the hair towel that form no part of the claimed design. The broken line outline of the partial human in FIGS. 8 and 9 assist to illustrate the hair towel in a position of use and form no part of the claimed design.

1 Claim, 9 Drawing Sheets



(56)

References Cited

U.S. PATENT DOCUMENTS

D903,244 S * 12/2020 Hodge D2/880
D903,246 S * 12/2020 Edmondson D2/880
2008/0229479 A1* 9/2008 Butterly A45D 19/18
2/174

OTHER PUBLICATIONS

Hairacter, [online photo]; [photo published to the Internet on Jul. 29, 2020]; [retrieved from the Internet on Mar. 20, 2021]; URL: <https://www.facebook.com/Hairacter/photos/a.3905070976282940/4157323601057675/?type=3&theater>. (1 pg.).*

* cited by examiner

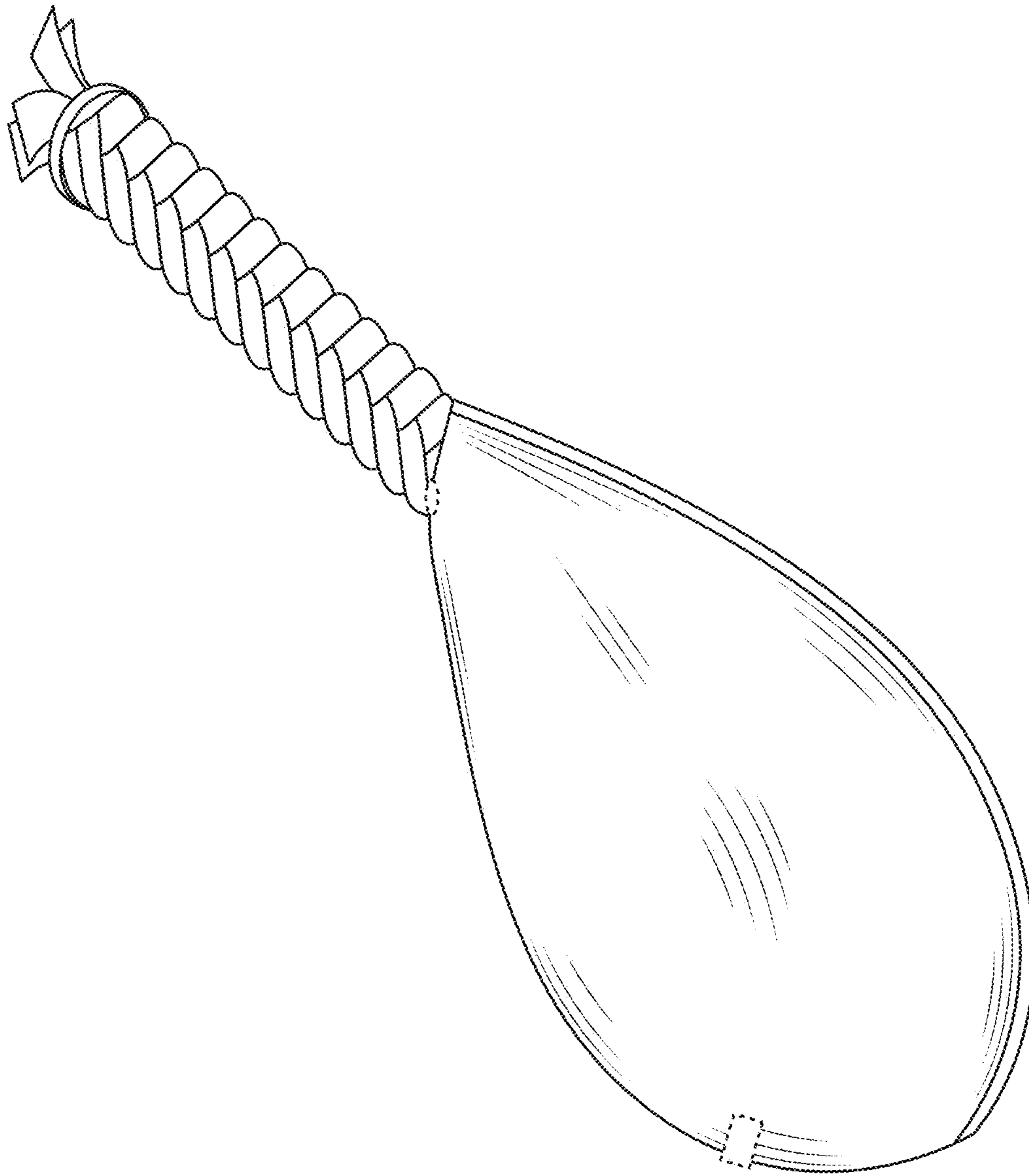


FIG. 1

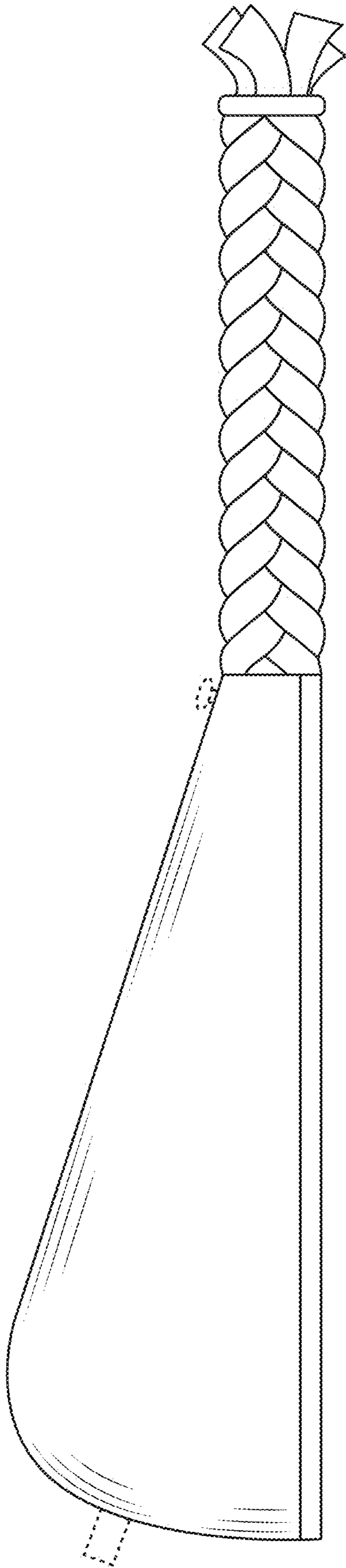


FIG.2

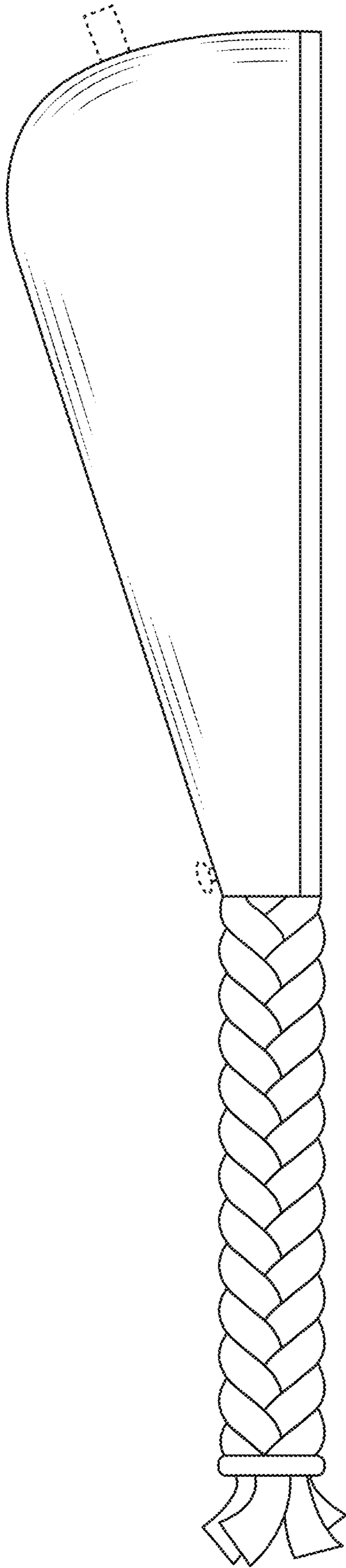


FIG. 3

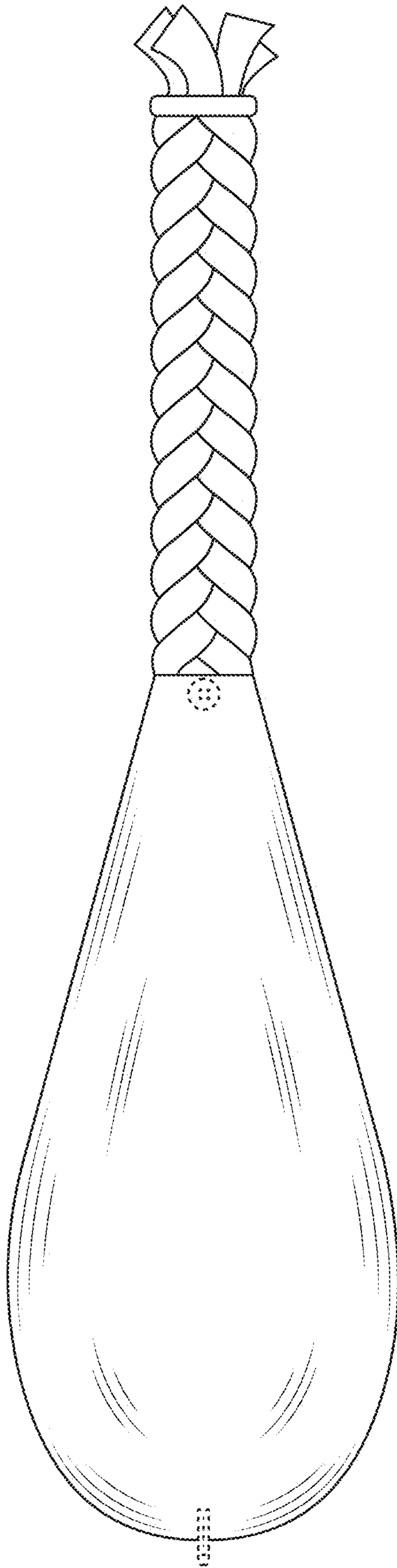


FIG.4

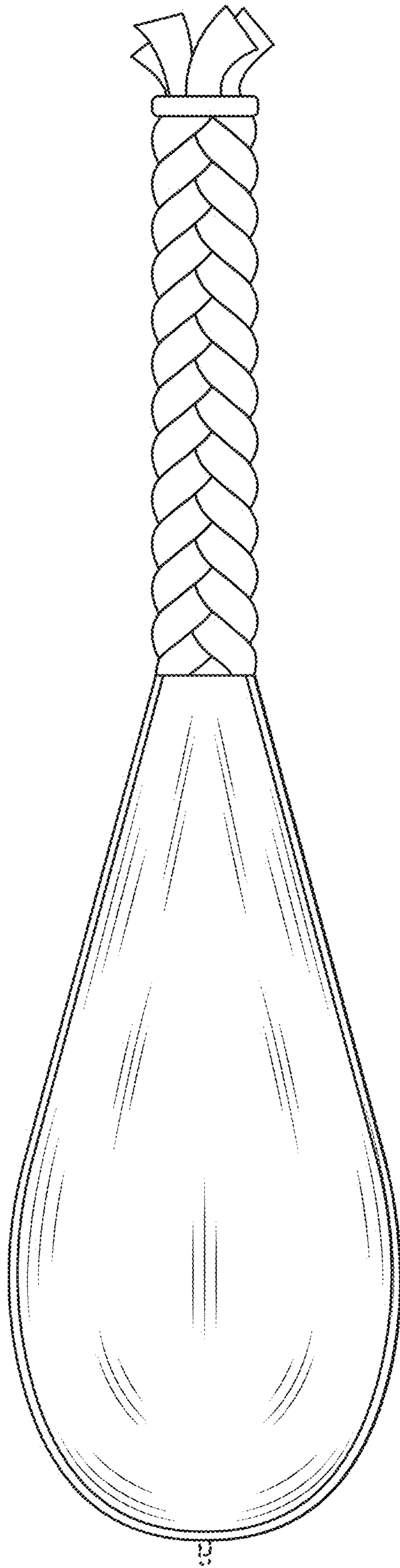


FIG. 5

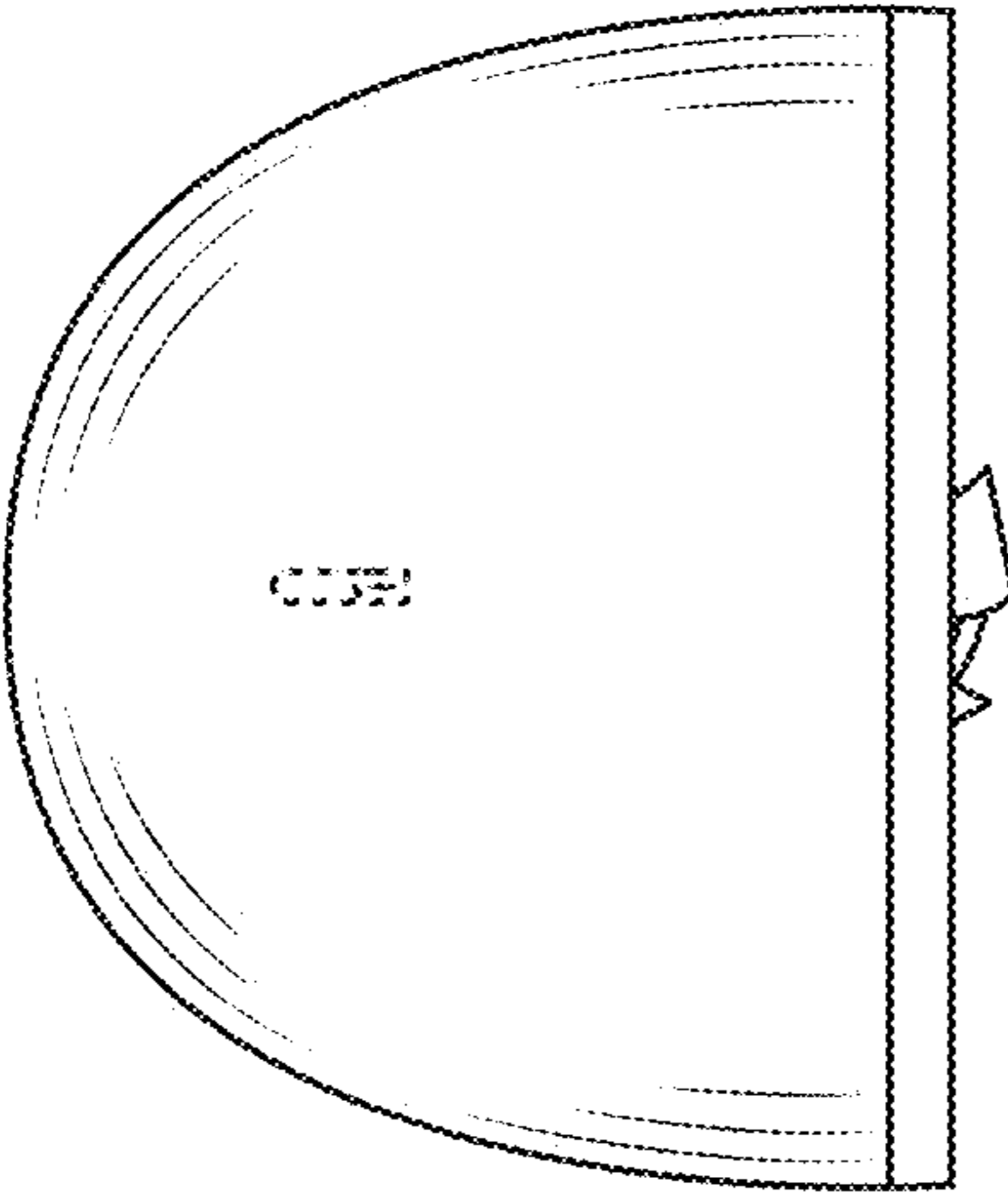


FIG. 6

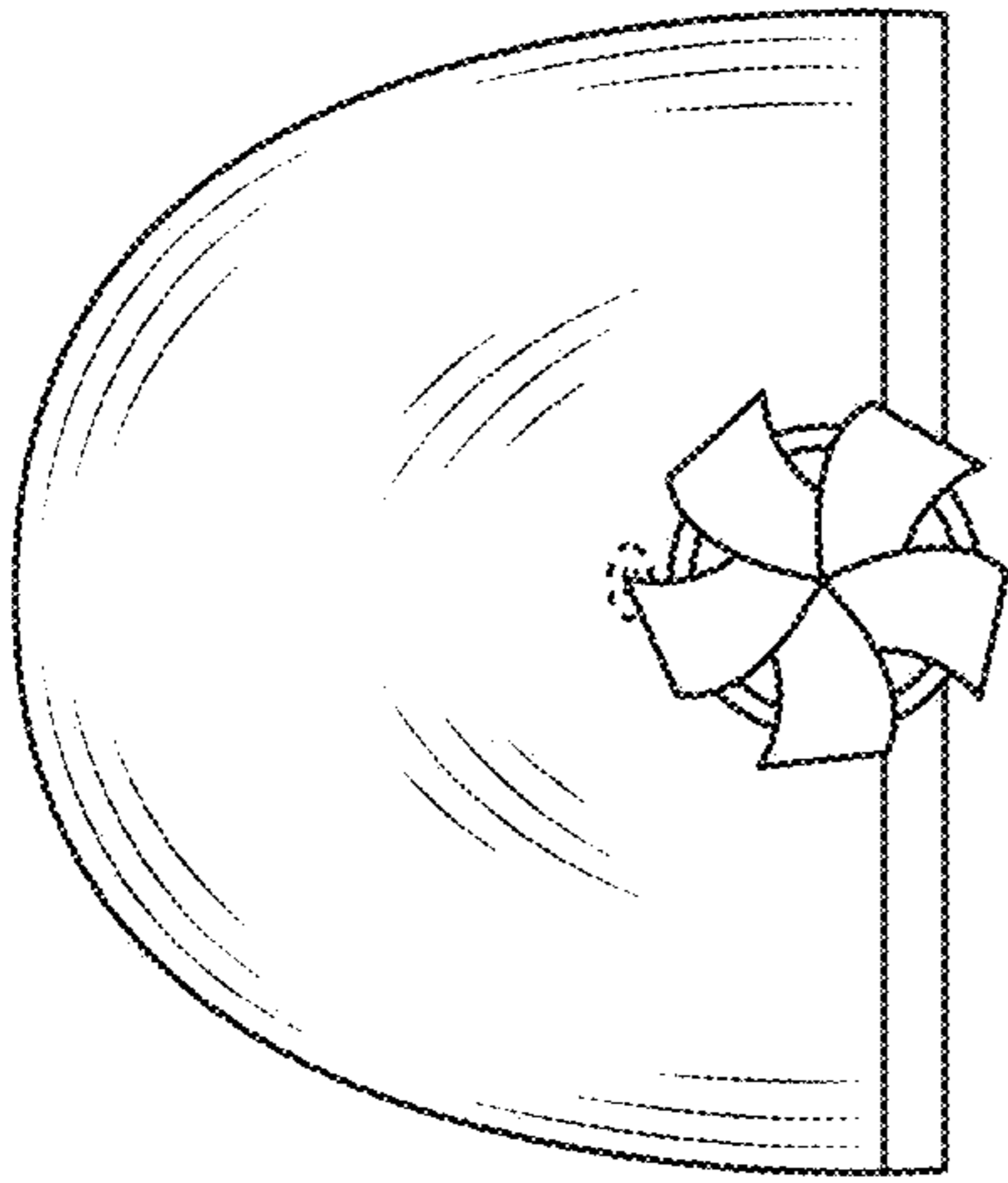


FIG. 7

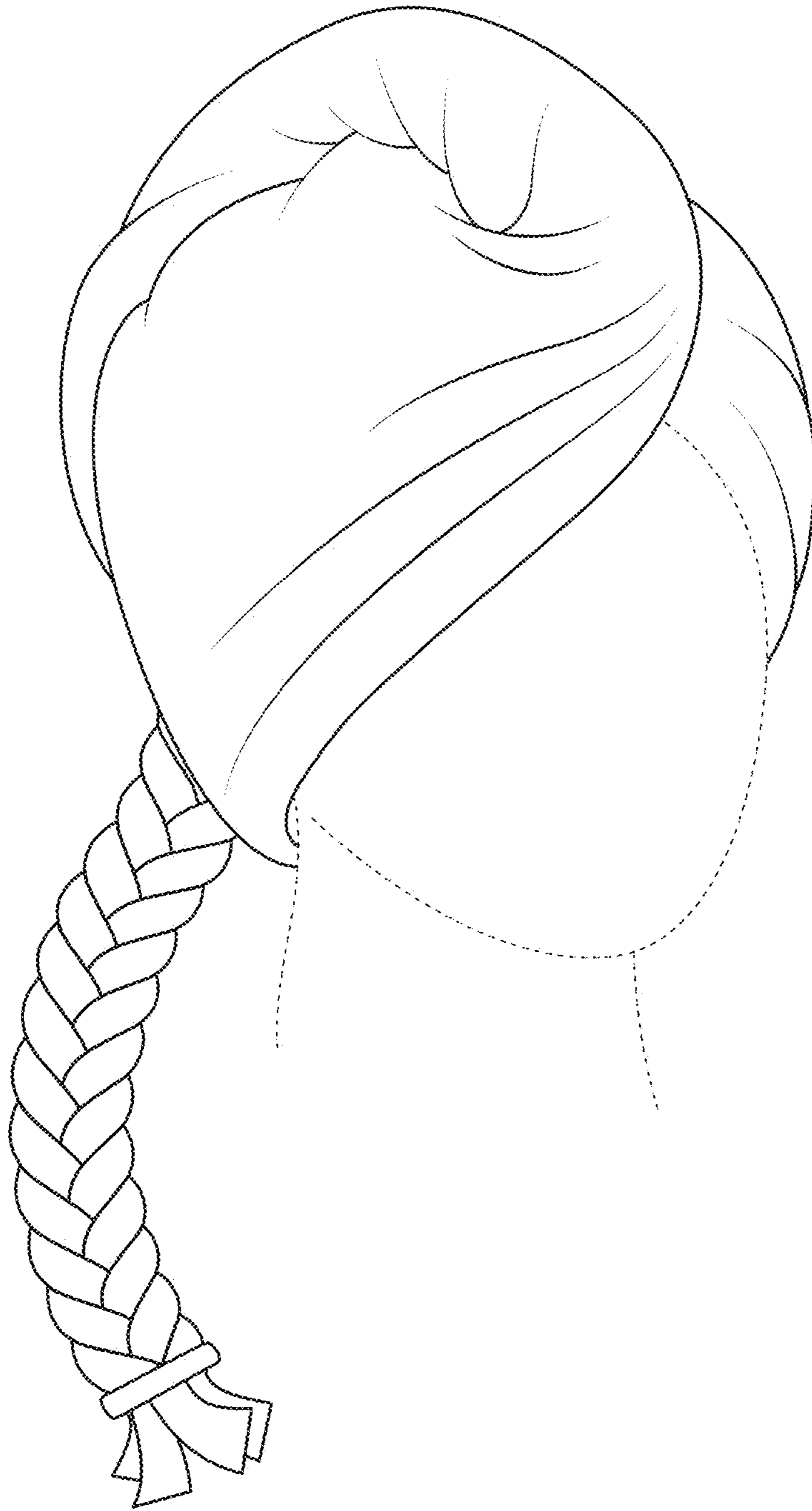


FIG. 8

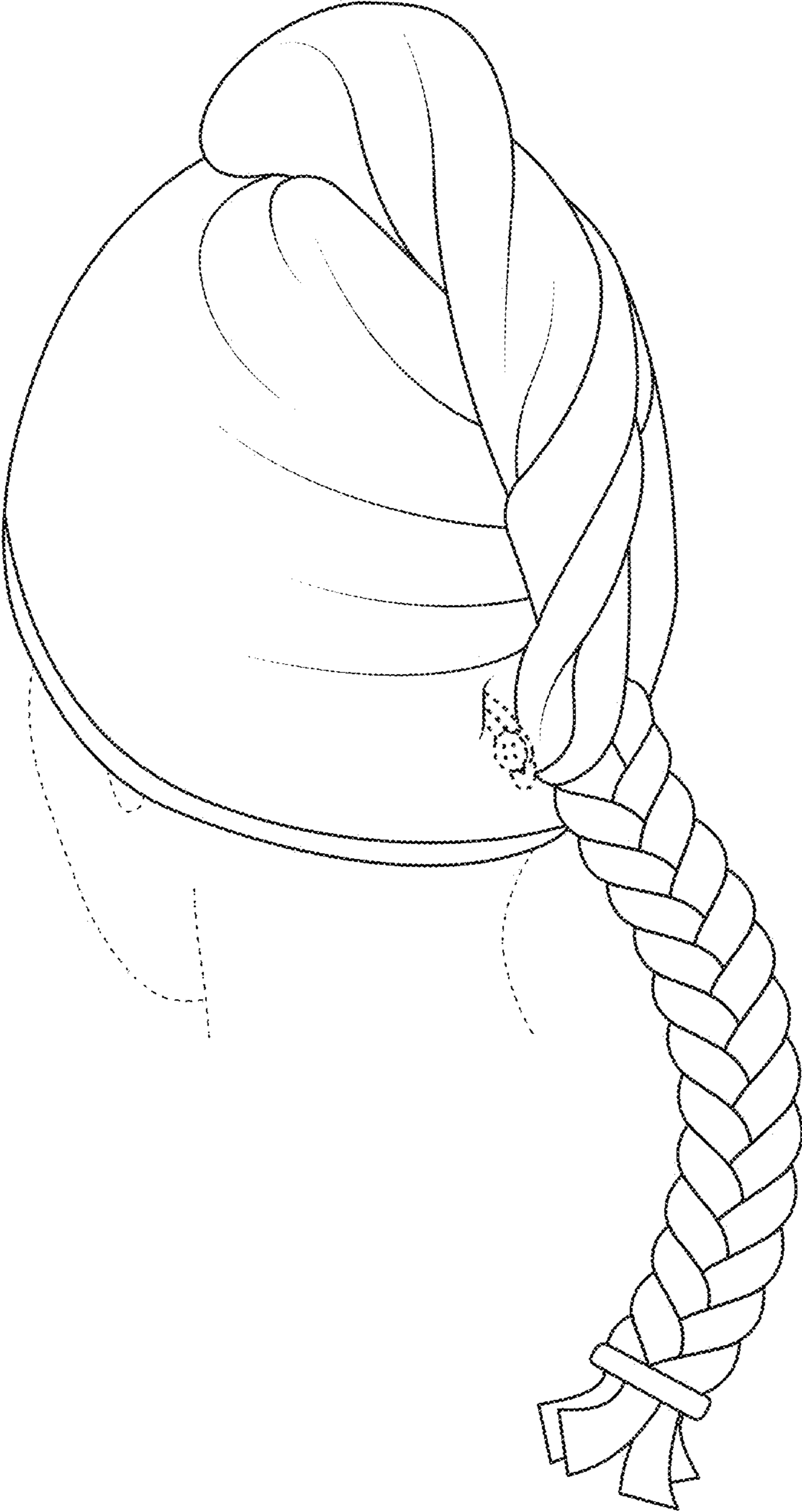


FIG. 9