



US00D926439S

(12) **United States Design Patent** (10) **Patent No.:** **US D926,439 S**  
**French** (45) **Date of Patent:** **\*\* Aug. 3, 2021**

(54) **GARMENT WITH POUCH**

(71) Applicant: **Victoria Anne French**, Rohrersville, MD (US)  
(72) Inventor: **Victoria Anne French**, Rohrersville, MD (US)

(\*\*) Term: **15 Years**

(21) Appl. No.: **29/733,276**

(22) Filed: **Apr. 30, 2020**

(51) **LOC (13) Cl.** ..... **02-02**

(52) **U.S. Cl.**  
USPC ..... **D2/857**

(58) **Field of Classification Search**  
USPC ..... D2/857, 840, 828, 849, 739, 720, 717  
CPC ..... A41D 13/12; A41D 13/00; A41D 27/20;  
A41D 27/08

See application file for complete search history.

(56) **References Cited**

**U.S. PATENT DOCUMENTS**

D96,665 S	8/1935	Haley	
4,495,662 A	1/1985	Miller	
4,533,355 A	8/1985	Fair	
4,718,124 A	1/1988	Sawicki et al.	
5,135,520 A	8/1992	Beaupied	
5,142,702 A	9/1992	Piloian	
D373,673 S	9/1996	Colling	
D378,157 S	2/1997	Jagger	
D410,317 S	6/1999	Alexander	
5,991,923 A *	11/1999	Maria	..... A41D 13/1236 2/114
D424,196 S	5/2000	Harwell et al.	
6,055,668 A	5/2000	Gros et al.	

(Continued)

**FOREIGN PATENT DOCUMENTS**

FR	2574271	*	6/1986
JP	3148787	*	2/2009
JP	2012202014	*	10/2012

**OTHER PUBLICATIONS**

Ostomy Accessories Guide: Ostomy Wraps by VeganOstomy, posted to veganostomy.ca. Available date: Jun. 13, 2018 [ site visited Mar. 8, 2021] Available: <https://www.veganostomy.ca/guide-ostomy-wraps/> (Year: 2018).\*

(Continued)

*Primary Examiner* — Kevin K Rudzinski

(74) *Attorney, Agent, or Firm* — Leveque Intellectual Property Law, P.C.

(57) **CLAIM**

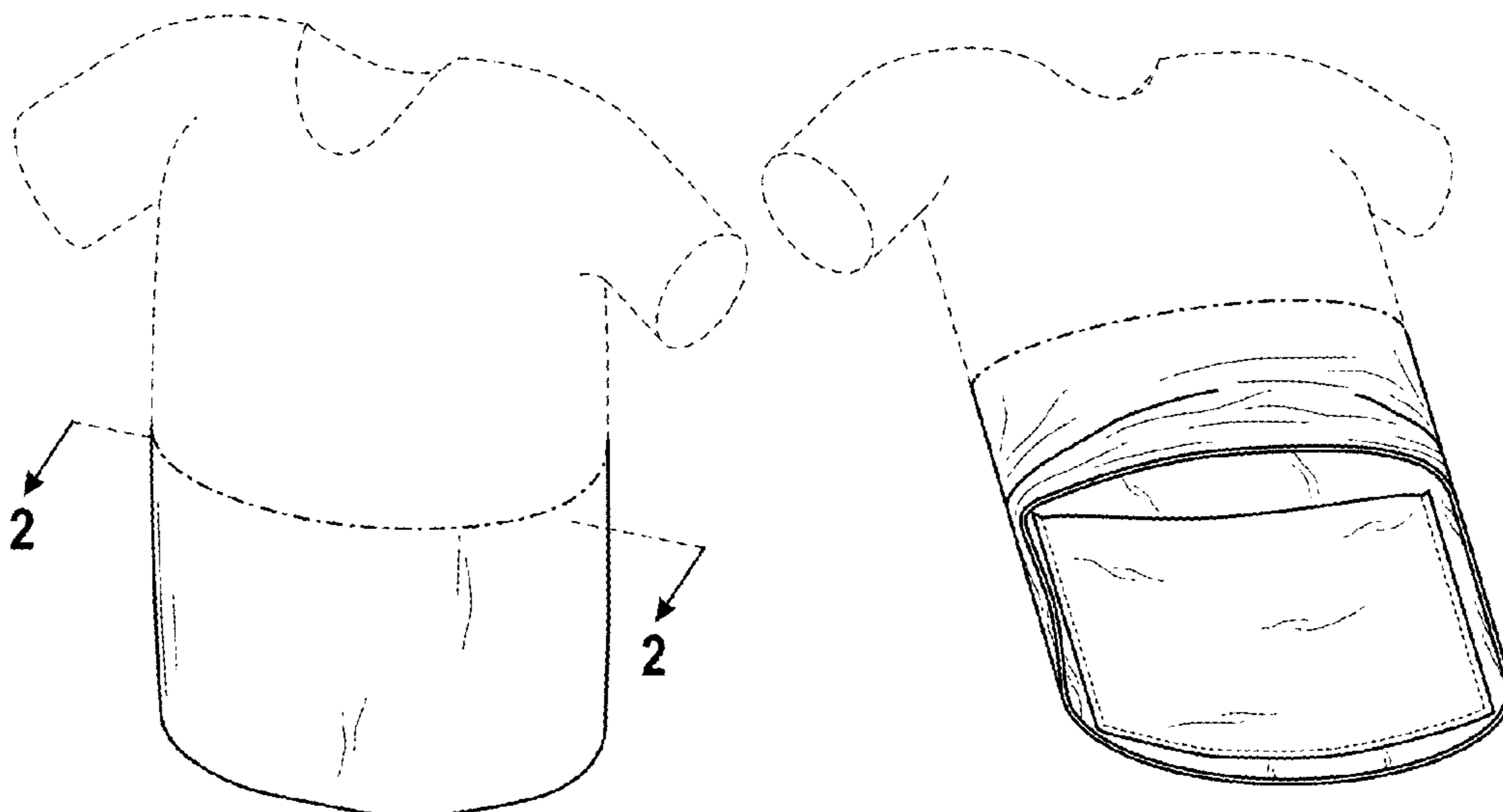
What is claimed is the ornamental design for a garment with pouch, as shown and described.

**DESCRIPTION**

FIG. 1 is a front perspective view of a design for a garment with pouch;  
FIG. 2 is a cross-sectional view thereof from the front perspective view;  
FIG. 3 is a rear perspective view thereof that illustrates the back of the garment lifted in order to show the pouch on the inside on the front of the garment;  
FIG. 4 is an additional rear perspective view thereof that illustrates the back of the garment lifted in order to show the pouch on the inside on the front of the garment;  
FIG. 5 is a front view thereof;  
FIG. 6 is a rear view thereof;  
FIG. 7 is a left-side view thereof;  
FIG. 8 is a right-side view thereof;  
FIG. 9 is a top view thereof; and,  
FIG. 10 is a bottom view thereof.

Any broken lines, including small and large dashed lines, showing portions of the design are for illustrative purposes only and form no part of the claimed design. The dot-dash broken lines show the bounds of the claim and form no part of the claimed design.

**1 Claim, 5 Drawing Sheets**



(56)

References Cited

U.S. PATENT DOCUMENTS

6,110,156 A 8/2000 Mendonca  
D431,344 S 10/2000 Briceno  
6,202,222 B1 3/2001 Robbins  
6,477,710 B1 11/2002 Ojoyeyi  
6,574,800 B1 6/2003 Léger et al.  
6,647,552 B1 11/2003 Hogan  
D509,343 S 9/2005 Bragg  
D535,456 S 1/2007 Anderson  
7,293,295 B2\* 11/2007 King ..... A41D 13/1245  
2/102  
D560,879 S 2/2008 Hines  
D561,429 S 2/2008 Cambridge  
D574,126 S 8/2008 McCray  
7,421,743 B1\* 9/2008 Wixom ..... A41D 13/1236  
2/114  
D580,628 S 11/2008 Morris  
D581,131 S 11/2008 Rhodes  
D584,882 S 1/2009 Trouillot et al.  
D590,130 S 4/2009 Rhodes  
D596,829 S 7/2009 Miller  
D603,141 S 11/2009 Rhodes  
D612,126 S 3/2010 Milgrom  
D614,834 S 5/2010 Rhodes  
D619,782 S 7/2010 Rhodes  
D622,940 S 9/2010 Shen et al.  
D624,644 S 9/2010 Rago  
D627,134 S 11/2010 Rhodes  
7,823,221 B2 11/2010 Green  
D636,075 S 4/2011 Yacoub et al.  
7,942,856 B2 5/2011 Lentini  
D655,478 S 3/2012 McCollum  
D657,529 S 4/2012 Farris et al.  
D657,939 S 4/2012 Mathews  
D662,688 S 7/2012 Kidman  
D662,689 S 7/2012 Hutchinson  
D663,103 S 7/2012 Mims  
8,302,214 B2\* 11/2012 McGrath ..... B65D 85/00  
2/114  
D672,529 S 12/2012 Lucas et al.  
D680,709 S 4/2013 Blood  
D684,687 S 6/2013 Christensen  
8,486,035 B1 7/2013 Arce et al.  
D690,086 S 9/2013 Estes  
D707,919 S 7/2014 Lockwood

D721,869 S 2/2015 Bernier  
D736,492 S 8/2015 Kidman  
D752,318 S 3/2016 Powell  
D753,370 S 4/2016 Daniels  
D753,902 S 4/2016 Niles  
D758,702 S 6/2016 Darmour  
D774,278 S 12/2016 Amato  
9,510,627 B2 12/2016 Trimble et al.  
9,591,880 B2 3/2017 Lee et al.  
D796,781 S 9/2017 Calucci  
9,894,945 B2\* 2/2018 Fredrickson ..... A41D 27/205  
D811,698 S 3/2018 Robinson  
D811,699 S 3/2018 Robinson  
D814,142 S 4/2018 Forbes et al.  
D815,801 S 4/2018 Torre  
D816,301 S 5/2018 Notarianni et al.  
D822,343 S 7/2018 Nabbout  
10,015,997 B2\* 7/2018 Appeldoorn ..... A61F 5/449  
D828,679 S 9/2018 Bair  
D833,117 S 11/2018 Harden  
D841,292 S 2/2019 Vance  
2004/0226073 A1\* 11/2004 McCullar ..... A41D 13/1245  
2/114  
2006/0047256 A1\* 3/2006 Levesque ..... A61F 5/449  
604/345  
2006/0253953 A1 11/2006 Williams  
2007/0271672 A1 11/2007 Lentini  
2008/0312615 A1 12/2008 Hunter  
2016/0256312 A1\* 9/2016 Mastracci ..... A47K 11/12  
2019/0014836 A1 1/2019 Zingaro

OTHER PUBLICATIONS

Clever Travel Companion Crew Neck T-Shirt With Secret Pocket posted to amazon.com. Available date: Apr. 16, 2012 [site visited Jan. 20, 2021] Available: <<https://www.amazon.com/Clever-Travel-Companion-T-Shirt-Secret/dp/B007UQRNLQ?th=1>>(Year: 2012).\*

Pickpocket Proof Crew Necked Men's T-Shirt With 2 Hidden Zipper Pockets posted to amazon.com. Available date: Mar. 5, 2018 [site visited Jan. 21, 2021] Available: <<https://www.amazon.com/Clever-Travel-Companion-Pickpocket-T-Shirt/dp/B07B78L3CF?th=1>> (Year: 2018).\*

AYEGEAR 5 Pocket Tshirt posted to ayegear.com. Available date: Jan. 13, 2016 [site visited Jan. 20, 2021] Available: <<https://ayegear.com/products/t5?variant=11101181889#shopify-product-reviews>> (Year: 2016).\*

\* cited by examiner

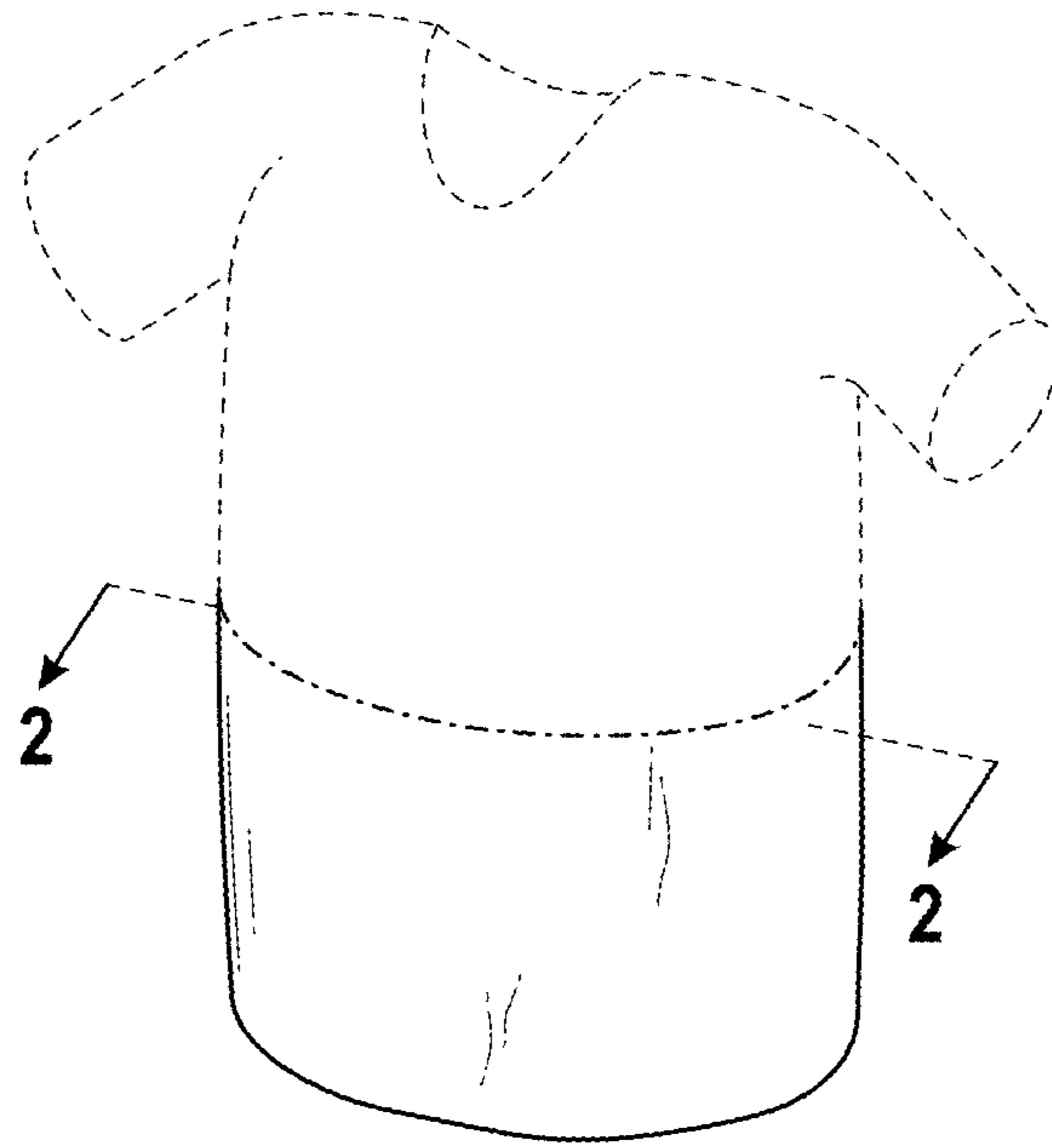


FIG. 1

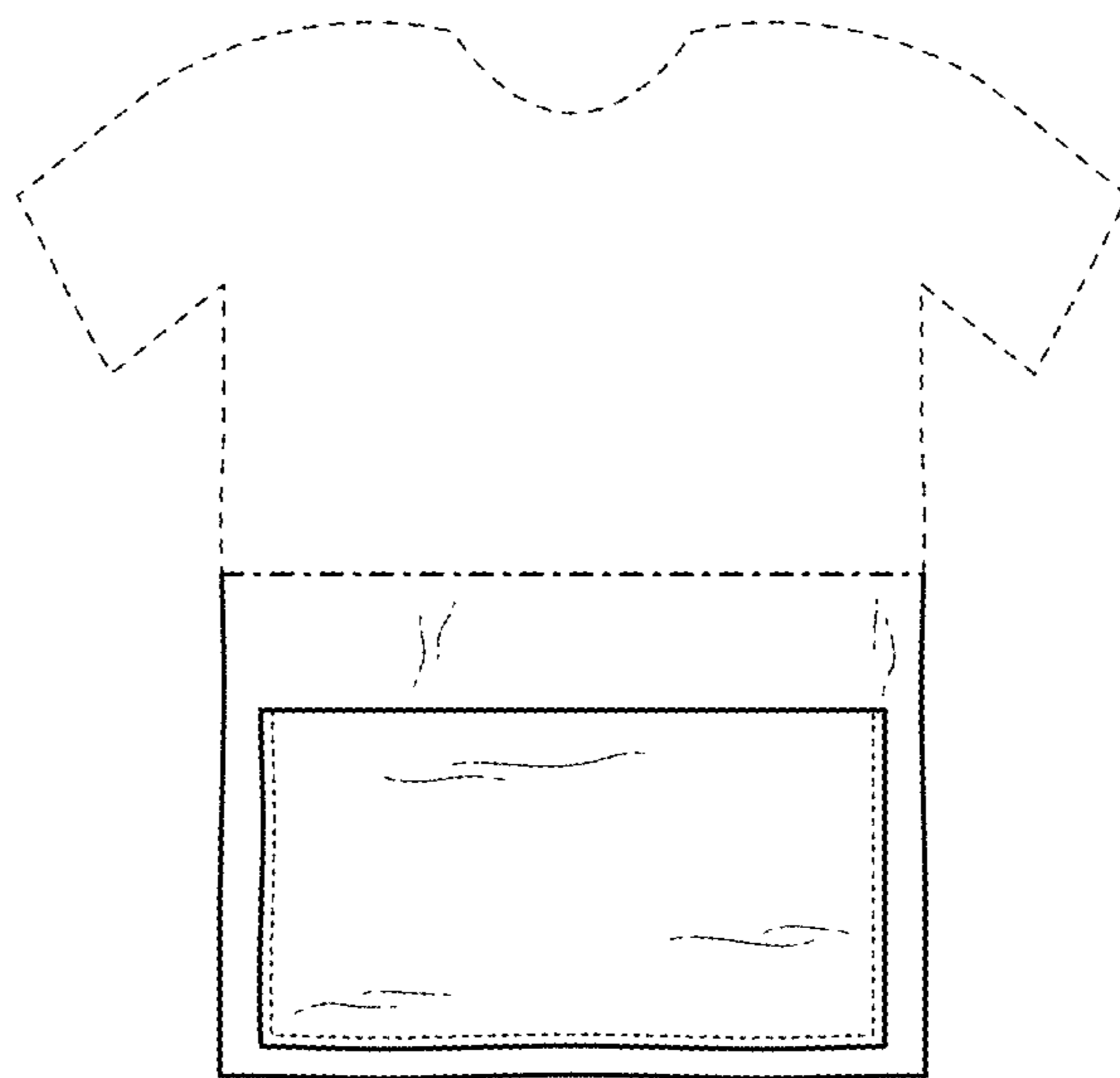


FIG. 2

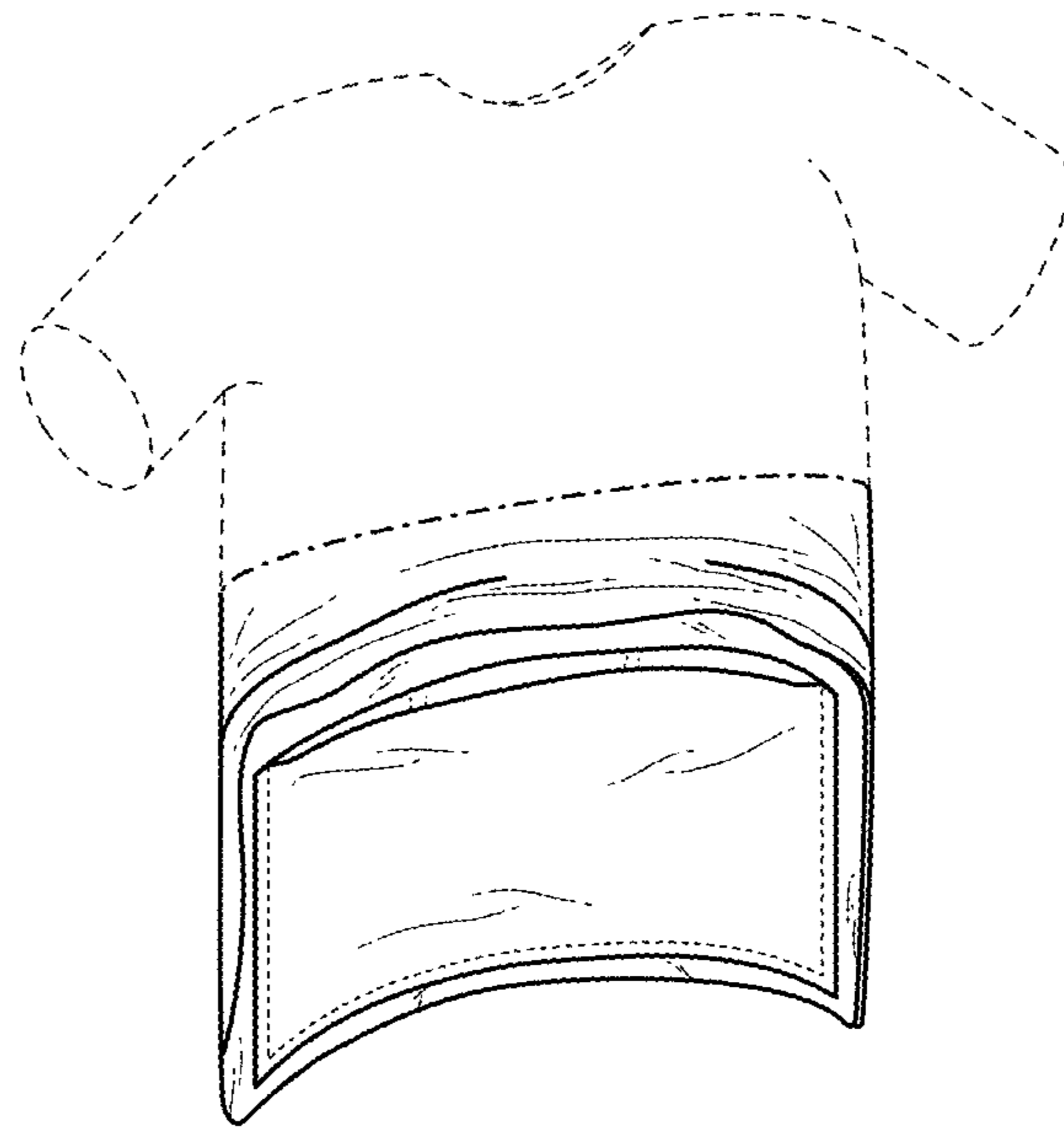


FIG. 3

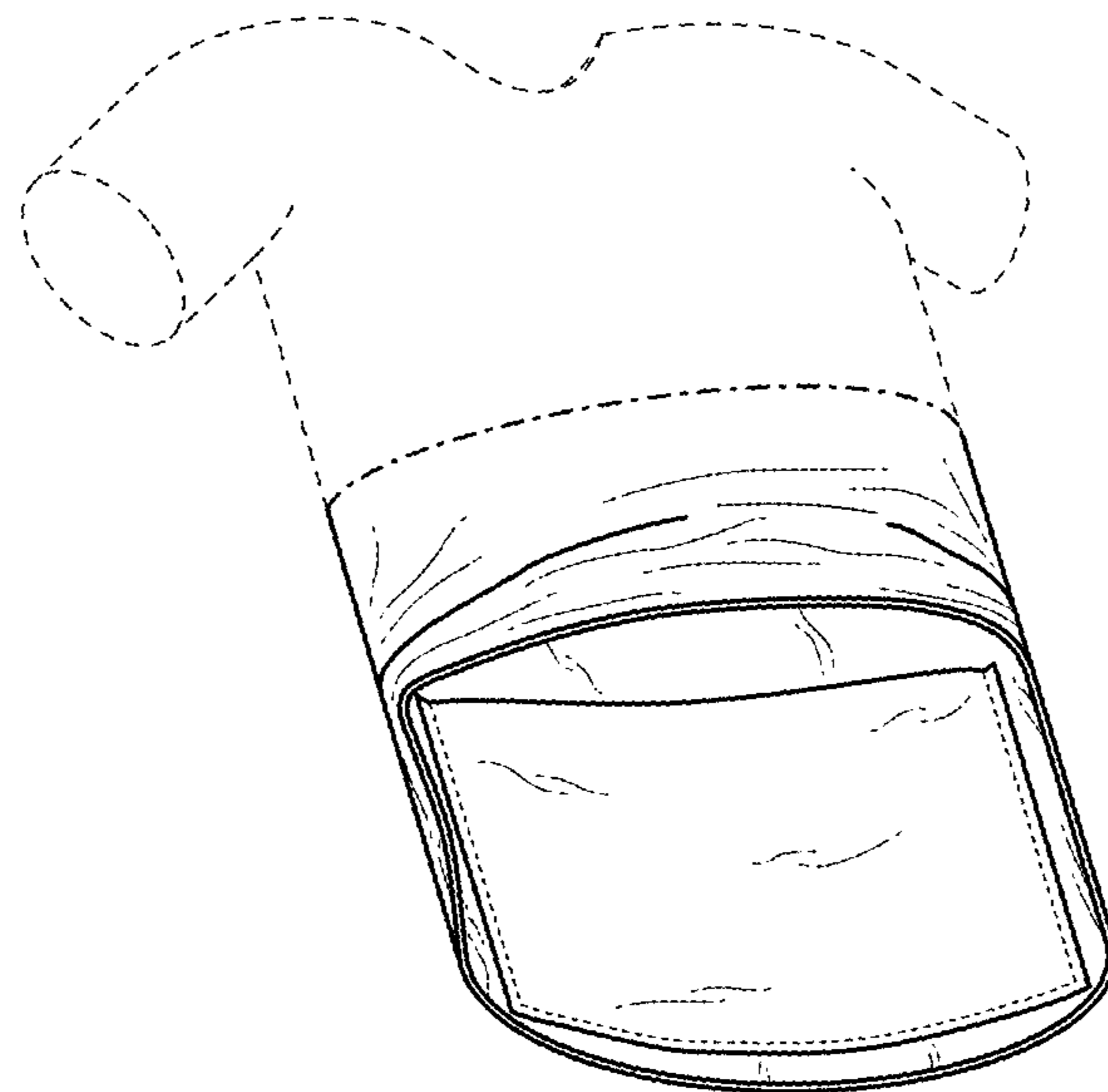


FIG. 4

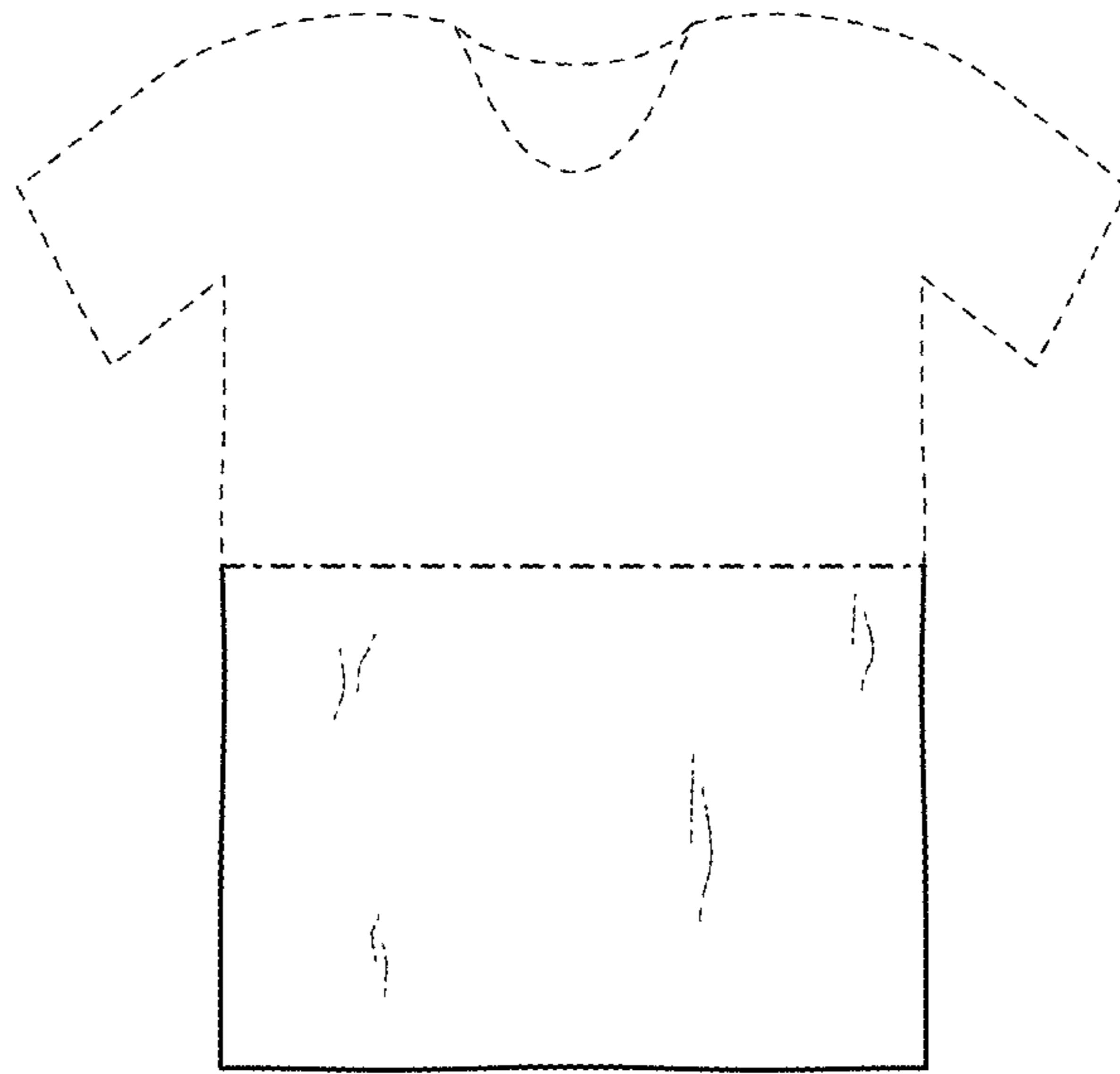


FIG. 5

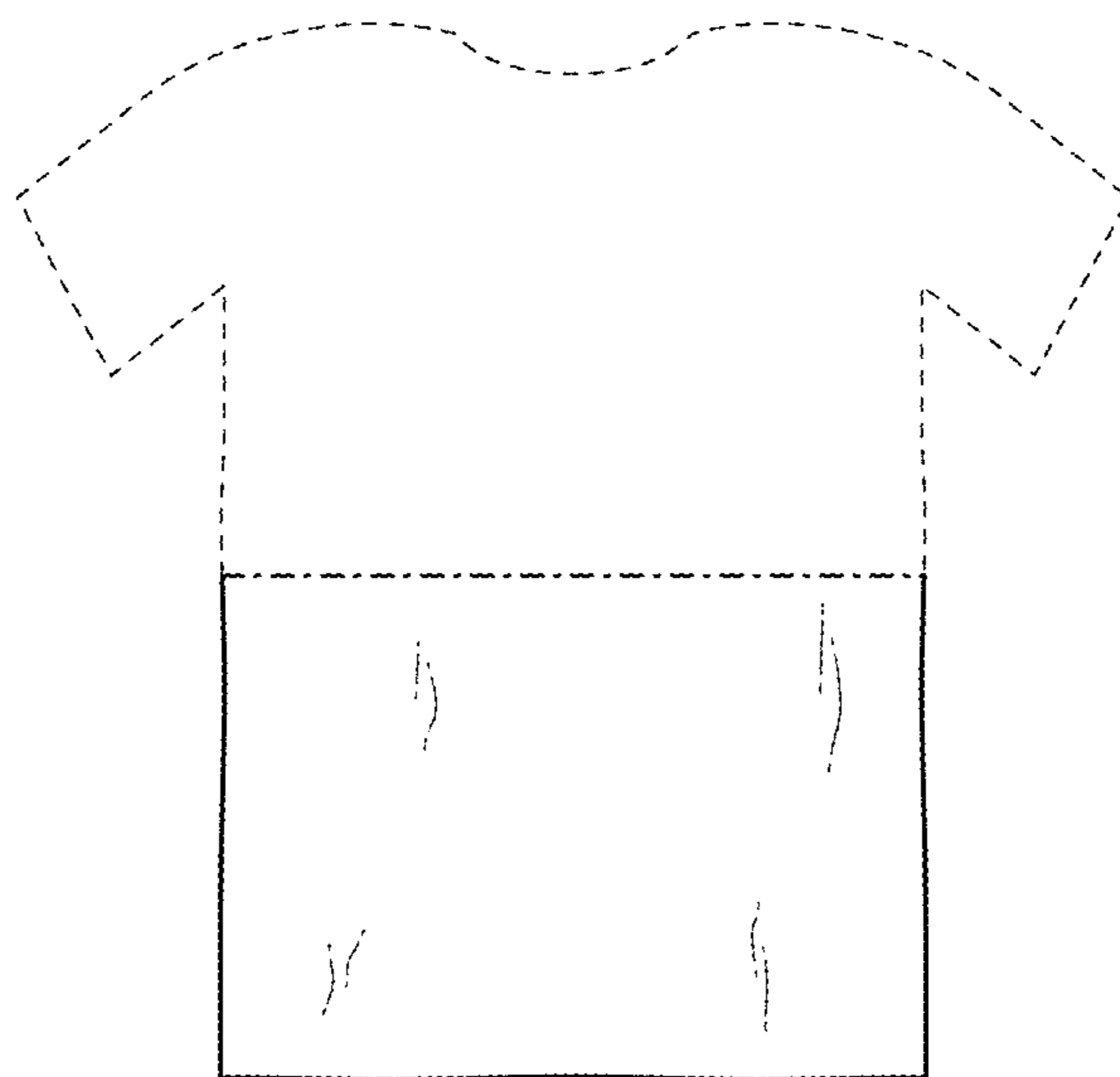


FIG. 6



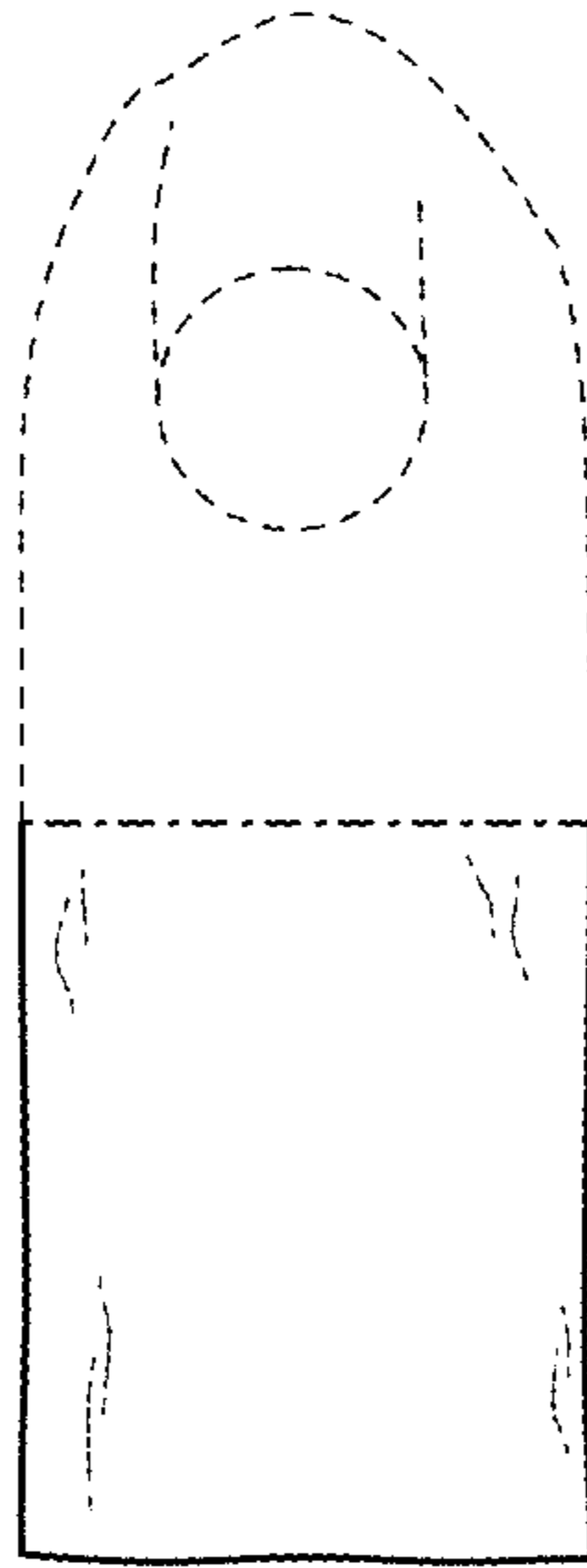


FIG. 7

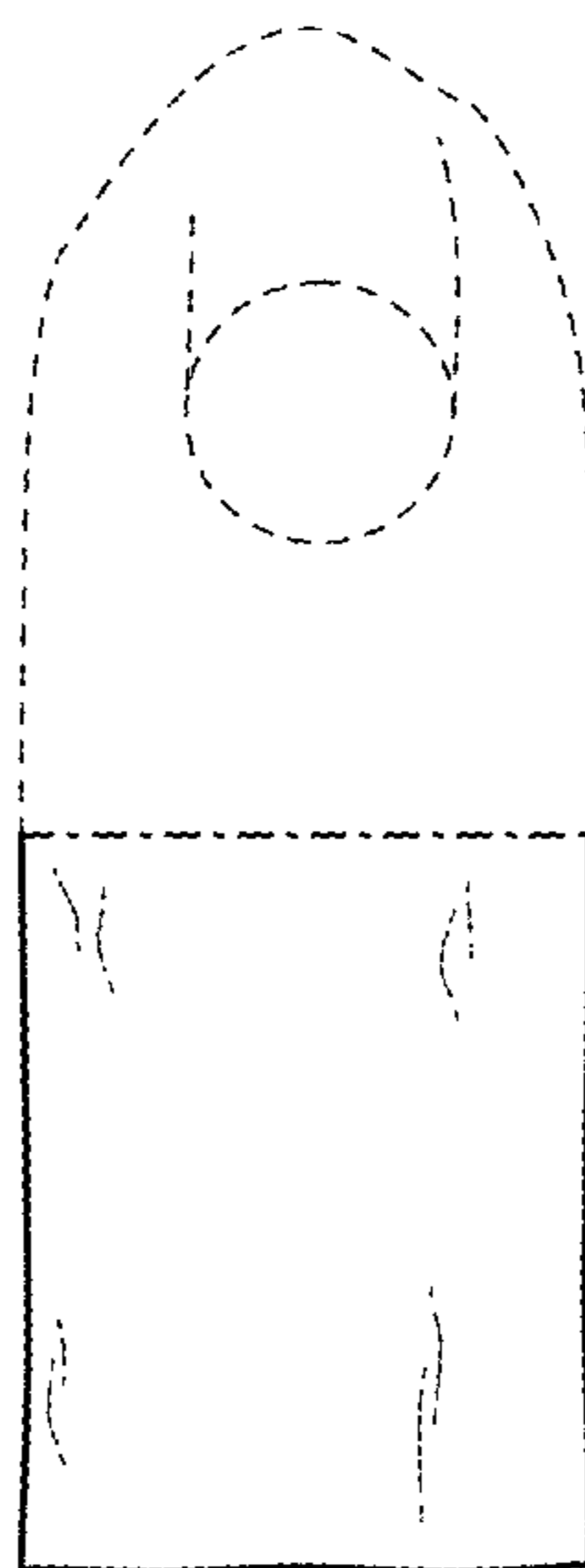
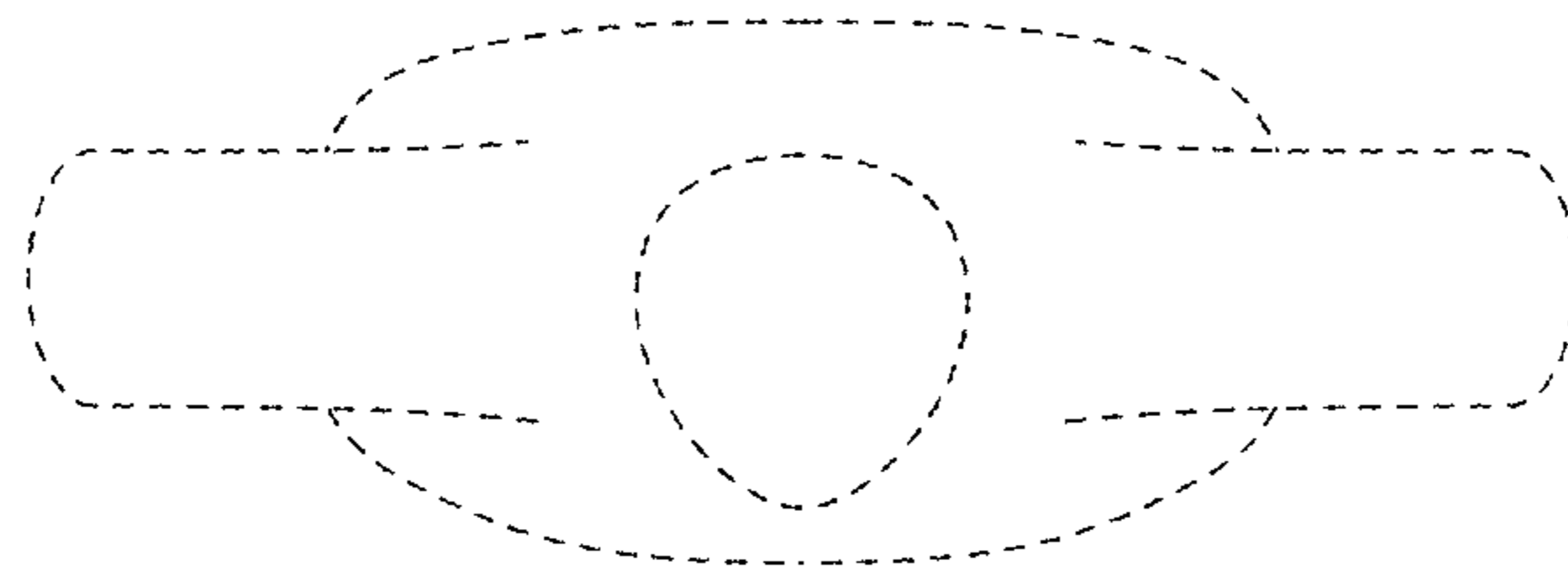
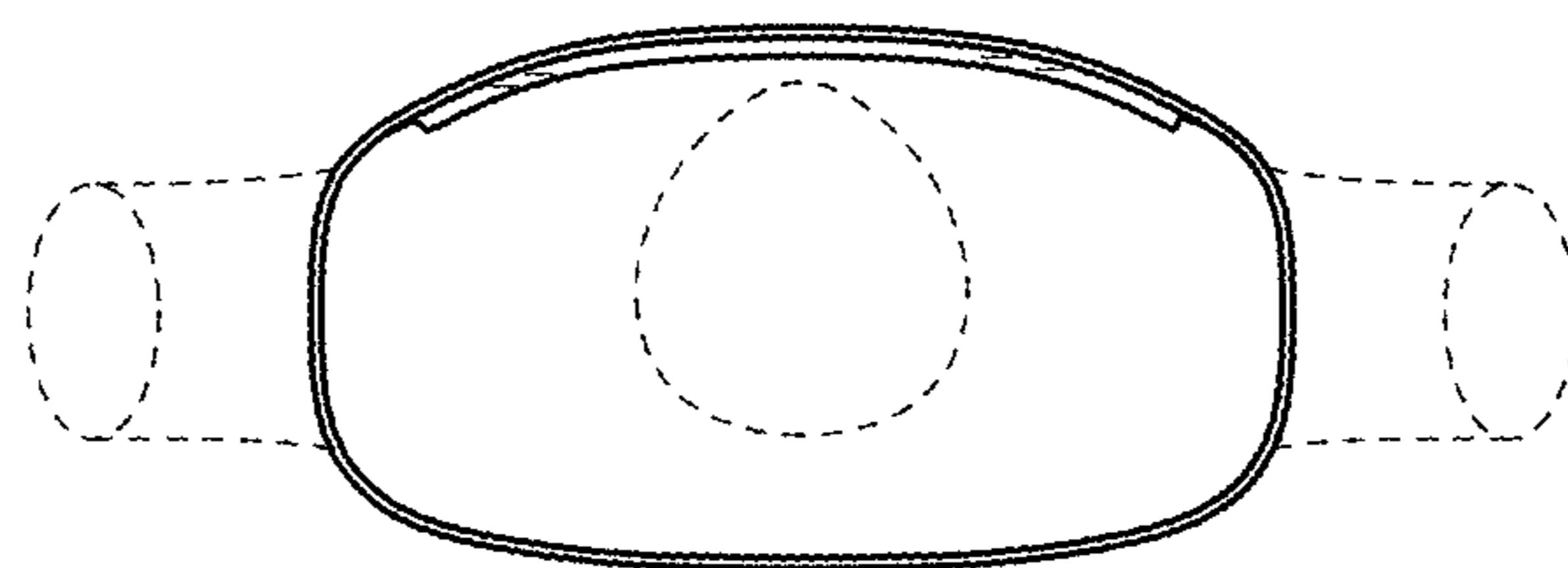


FIG. 8



**FIG. 9**



**FIG. 10**