

US00D926434S

(12) **United States Design Patent** (10) **Patent No.:** **US D926,434 S**
Martin et al. (45) **Date of Patent:** **** Aug. 3, 2021**

(54) **JUMPSUIT**

(71) Applicant: **Tuxy Inc.**, Moncton (CA)

(72) Inventors: **Derek Wayne Martin**, Moncton (CA);
Mario Albert Leblanc, Moncton (CA);
Marcel Maurice Leblanc, Moncton (CA)

(**) Term: **15 Years**

(21) Appl. No.: **29/669,929**

(22) Filed: **Nov. 13, 2018**

(30) **Foreign Application Priority Data**

May 14, 2018 (CA) CA 181302

(51) **LOC (13) Cl.** **02-02**

(52) **U.S. Cl.**
USPC **D2/743; D2/744**

(58) **Field of Classification Search**
USPC D2/742-744, 732, 860
CPC A41D 13/00; A41D 13/02
See application file for complete search history.

(56) **References Cited**

U.S. PATENT DOCUMENTS

6,944,883 B1 * 9/2005 Cuaz A41D 13/02
2/69
D744,721 S * 12/2015 Crye D2/743
D747,039 S * 1/2016 Espino D29/100
D748,372 S * 2/2016 Mazzarolo D2/732
D831,306 S * 10/2018 Salce, Jr. D2/743
D847,464 S * 5/2019 Oliver D2/732
D855,288 S * 8/2019 Goldfine D2/743

D880,112 S * 4/2020 Kong D2/744
D901,836 S * 11/2020 DeMaio D2/743
2018/0035727 A1 * 2/2018 Cumiskey A41D 13/0015
2018/0084845 A1 * 3/2018 Cumiskey A41D 27/10
2019/0150533 A1 * 5/2019 Martin A41D 13/02

OTHER PUBLICATIONS

Tuxy Base, posted NA [online], (retrieved Jan. 7, 2021). Retrieved from the internet, <https://www.tuxy.co/collections/tuxy-base> (Year: NA).*

* cited by examiner

Primary Examiner — Kevin K Rudzinski
Assistant Examiner — J. Thorn, Sr.
(74) *Attorney, Agent, or Firm* — The Roy Gross Law Firm, LLC; Roy Gross

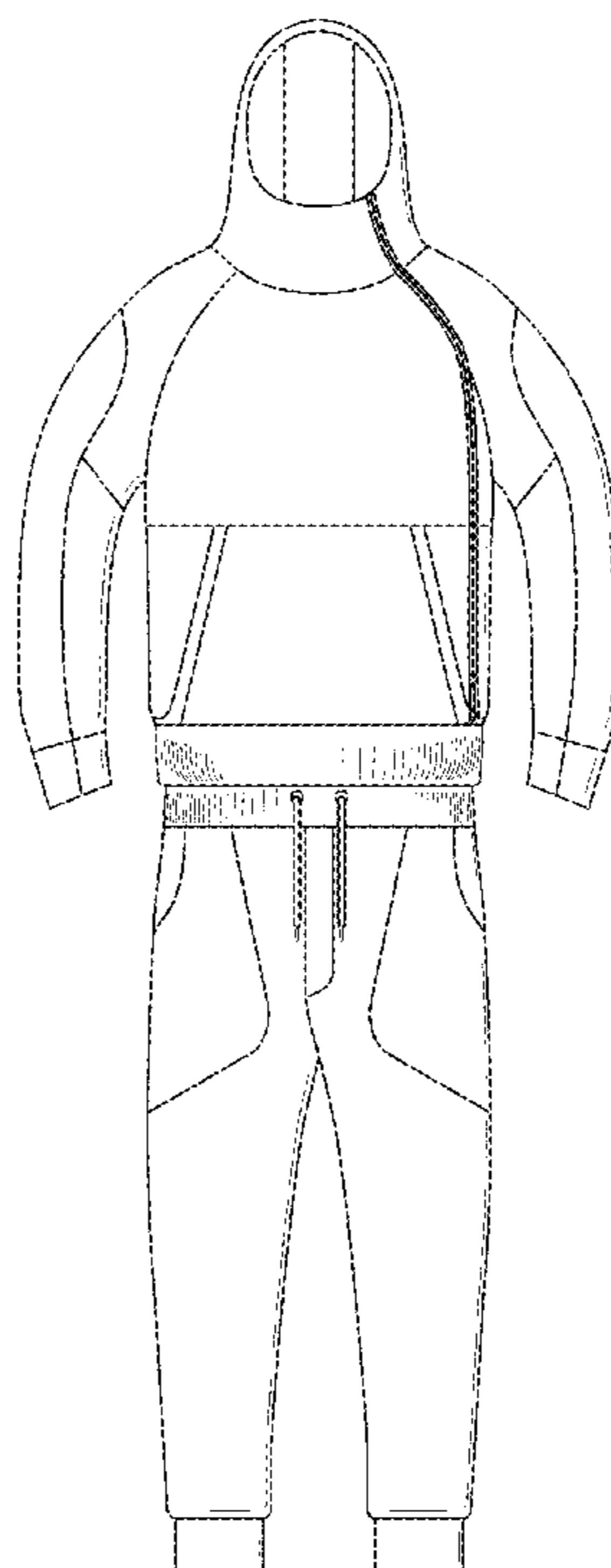
(57) **CLAIM**

The ornamental design for a jumpsuit, as shown and described.

DESCRIPTION

FIG. 1 is a front view of a jumpsuit in accordance with a first embodiment of the new design in a compressed position; FIG. 2 is an enlarged front view of the center portion of the jumpsuit of FIG. 1, the jumpsuit being in an elongated position, having a jacket waistband flipped up; FIG. 3 is a front view of FIG. 1 thereof in an elongated position, having a jacket waistband flipped down; and, FIG. 4 is a front view of a jumpsuit in accordance with a second embodiment of the new design in a compressed position.

1 Claim, 4 Drawing Sheets



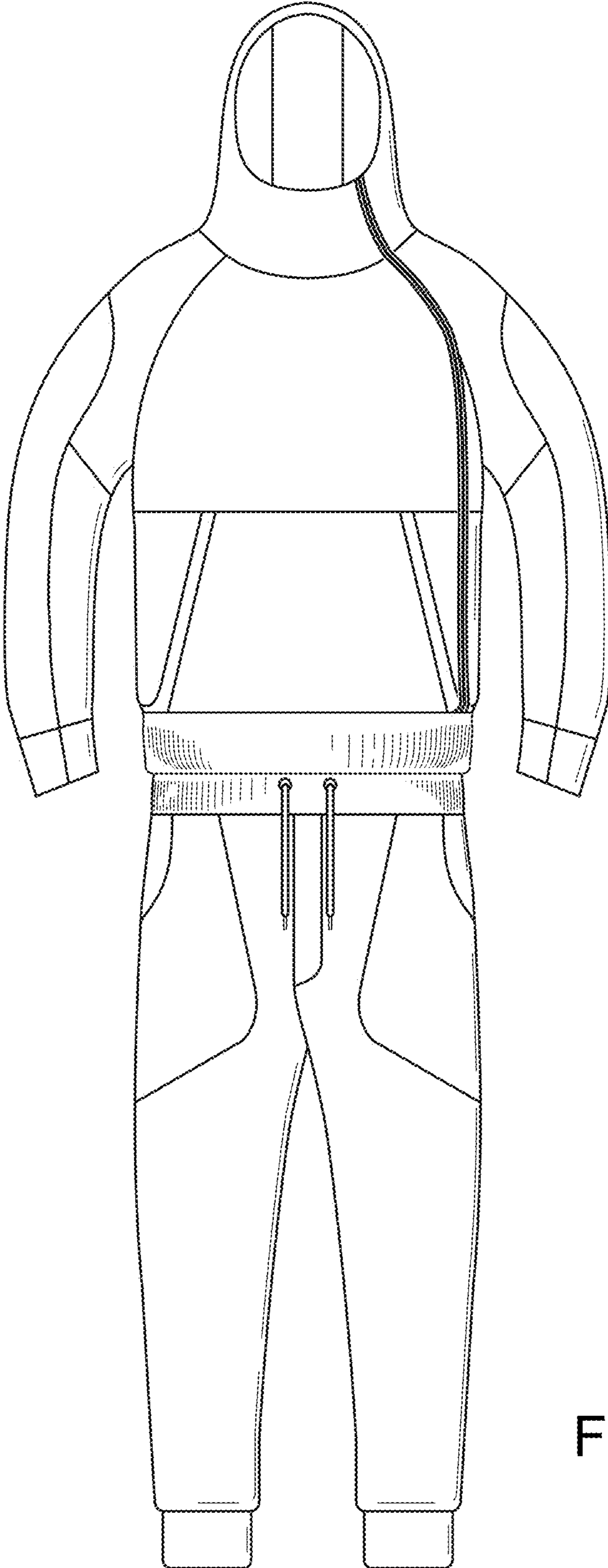


Figure 1

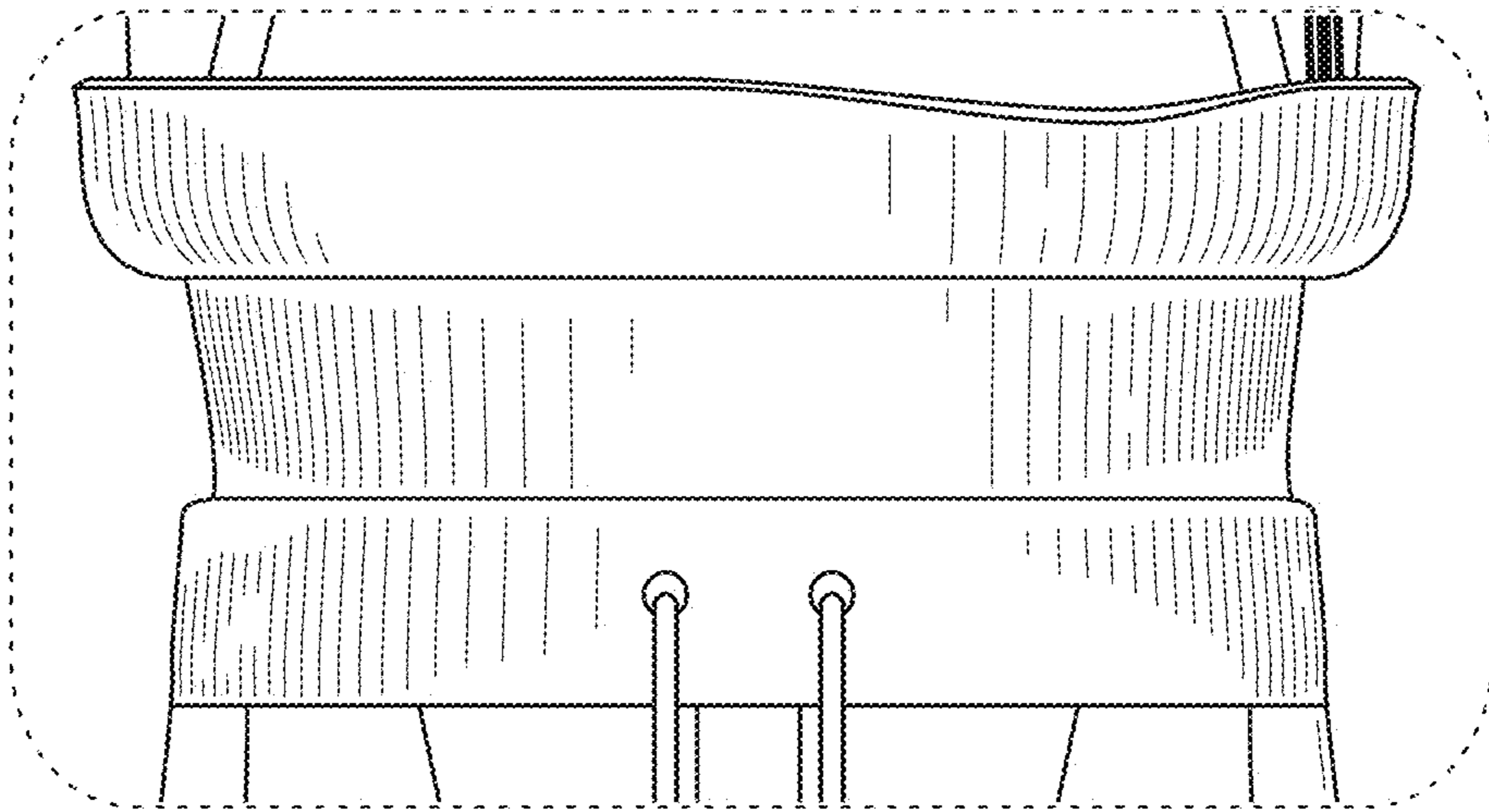


Figure 2

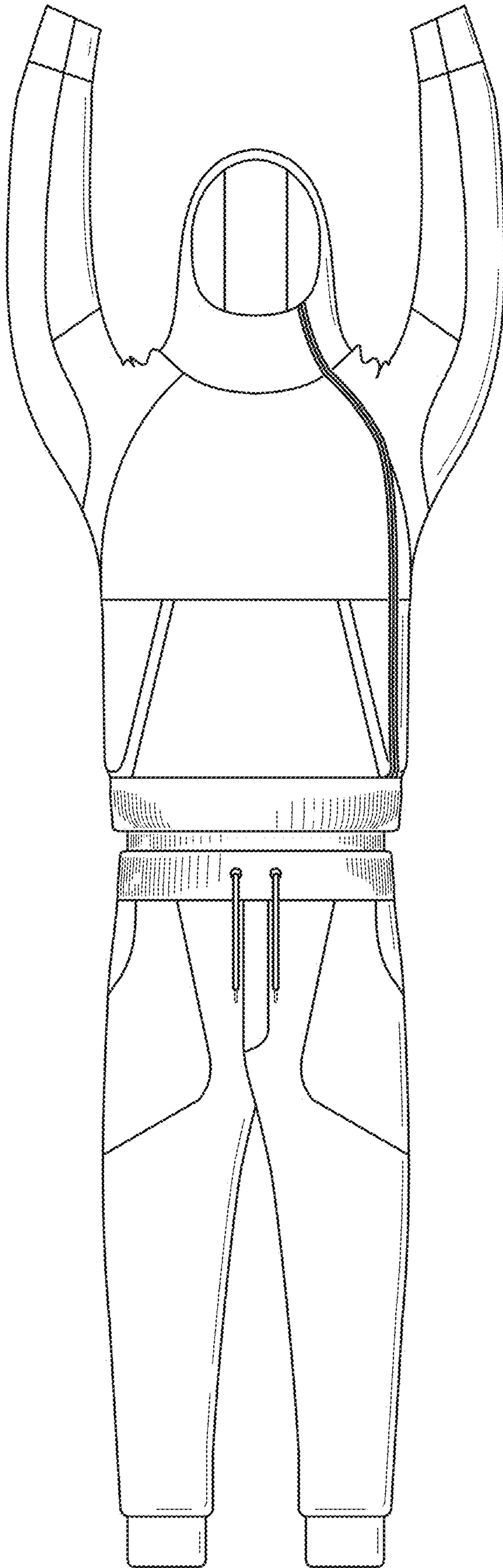


Figure 3

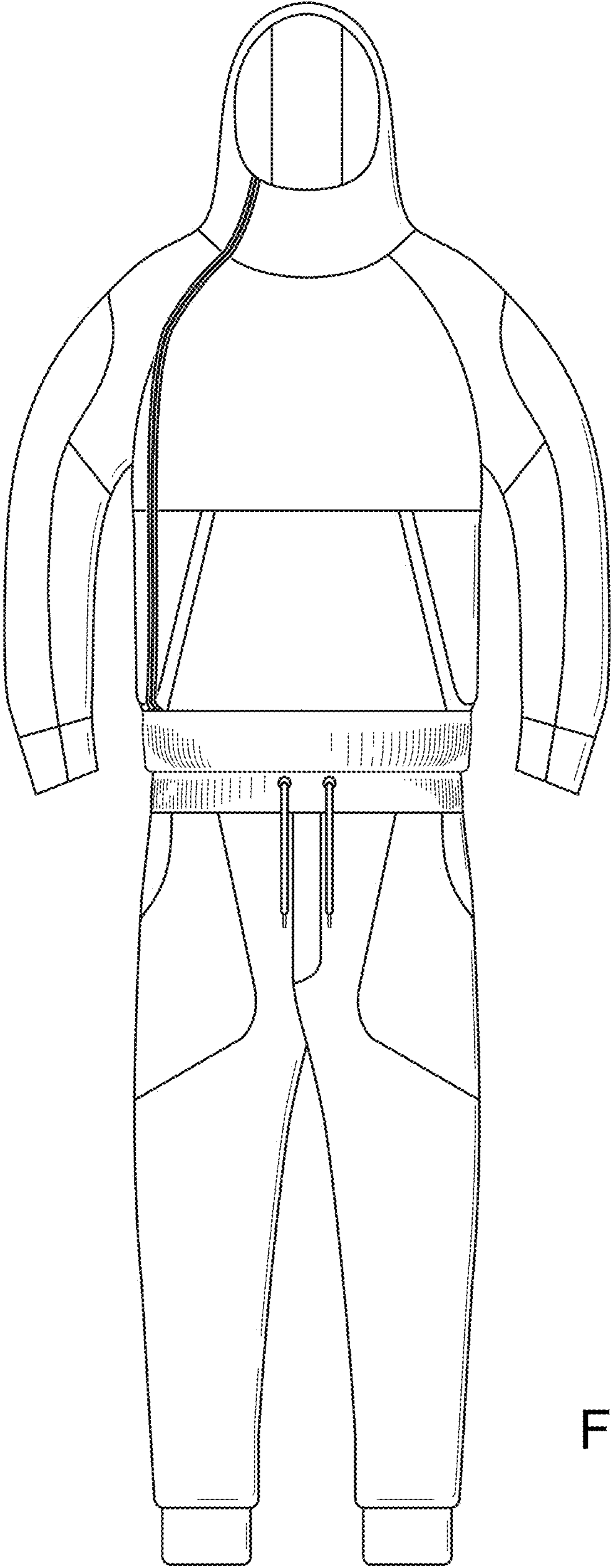


Figure 4