



US00D926418S

(12) **United States Design Patent** (10) **Patent No.:** **US D926,418 S**
Johansson (45) **Date of Patent:** **** Jul. 27, 2021**

(54) **CONTROL UNIT OF A LIFTING DEVICE**

(56) **References Cited**

(71) Applicant: **Binar Quick-Lift Systems AB**,
Trollhättan (SE)

(72) Inventor: **Niclas Johansson**, Trollhättan (SE)

(73) Assignee: **BINAR QUICK-LIFT SYSTEMS AB**,
Trollhättan (SE)

(**) Term: **15 Years**

(21) Appl. No.: **35/508,870**

(22) Filed: **Sep. 24, 2019**

U.S. PATENT DOCUMENTS

D639,011	S	*	5/2011	Ahrenholtz	D34/31
D639,012	S	*	5/2011	Ahrenholtz	D34/31
D639,013	S	*	5/2011	Ahrenholtz	D34/31
D709,102	S	*	7/2014	Tokuda	D15/28
D783,924	S	*	4/2017	Sauvaget	D34/35
D785,273	S	*	4/2017	Sauvaget	D34/35
9,758,356	B2	*	9/2017	Sarndahl	F16L 27/0828
D867,309	S	*	11/2019	Detering	D13/168
D874,082	S	*	1/2020	Spronken	D34/33
D875,690	S	*	2/2020	Krebs	D13/168
D882,905	S	*	4/2020	Recker	D34/35
2016/0075538	A1	*	3/2016	Johansson	B66C 13/18 74/491

(80) **Hague Agreement Data**

Int. Filing Date: **Sep. 24, 2019**
 Int. Reg. No.: **DM/206167**
 Int. Reg. Date: **Sep. 24, 2019**
 Int. Reg. Pub. Date: **Mar. 27, 2020**

* cited by examiner

Primary Examiner — Khawaja Anwar
 (74) *Attorney, Agent, or Firm* — Jeffrey S. Melcher;
 Melcher Patent Law PLLC

(51) **LOC (13) Cl.** **34-03**

(57) **CLAIM**

(52) **U.S. Cl.**
USPC **D34/35**

The ornamental design for a control unit of a lifting device, as shown and described.

(58) **Field of Classification Search**

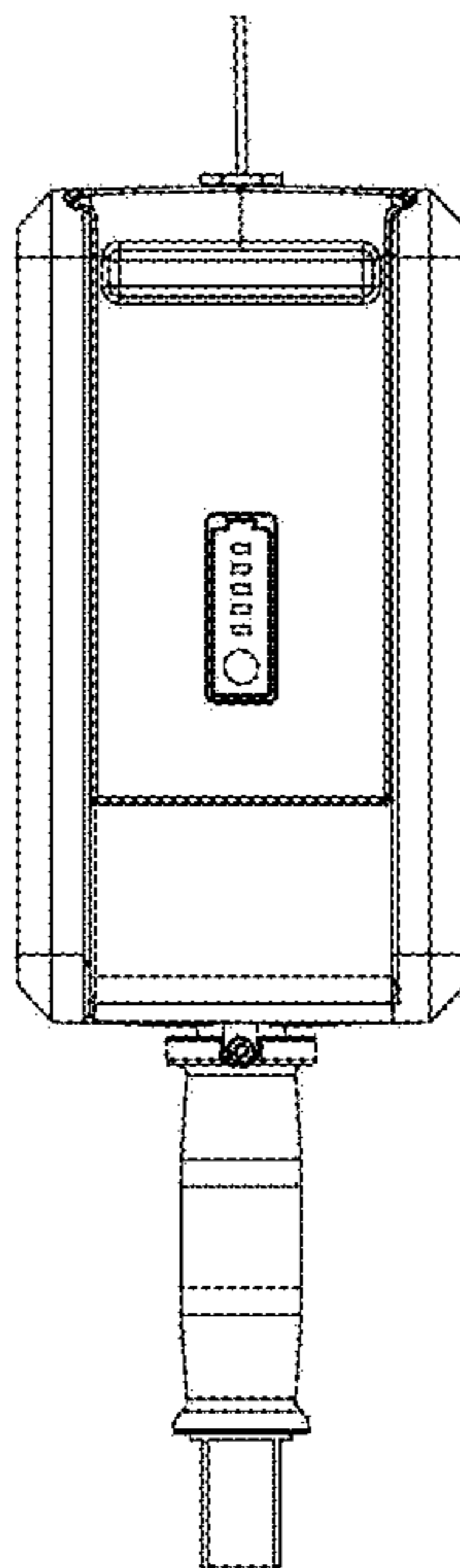
DESCRIPTION

USPC D34/28, 31, 35; D25/199; D12/223, 240
 CPC E21B 19/06; E21B 19/16; E21B 15/00;
 E21B 19/08; E21B 19/14; E21B 19/20;
 E21B 21/066; E21B 3/02; E21B 19/008;
 E21B 19/07; E21B 19/083; E21B 19/10;
 E21B 19/155; E21B 21/001; E21B 21/01;
 E21B 25/18; E21B 33/068; E21B 34/06;
 E21B 41/0085; E21B 43/121; E21B
 43/128; E21B 43/166; E21B 43/18; E21B
 43/2408; E21B 43/305; E21B 43/38;
 E21B 44/00; E21B 49/005; E21B 49/02;
 E21B 7/022; E21B 7/124

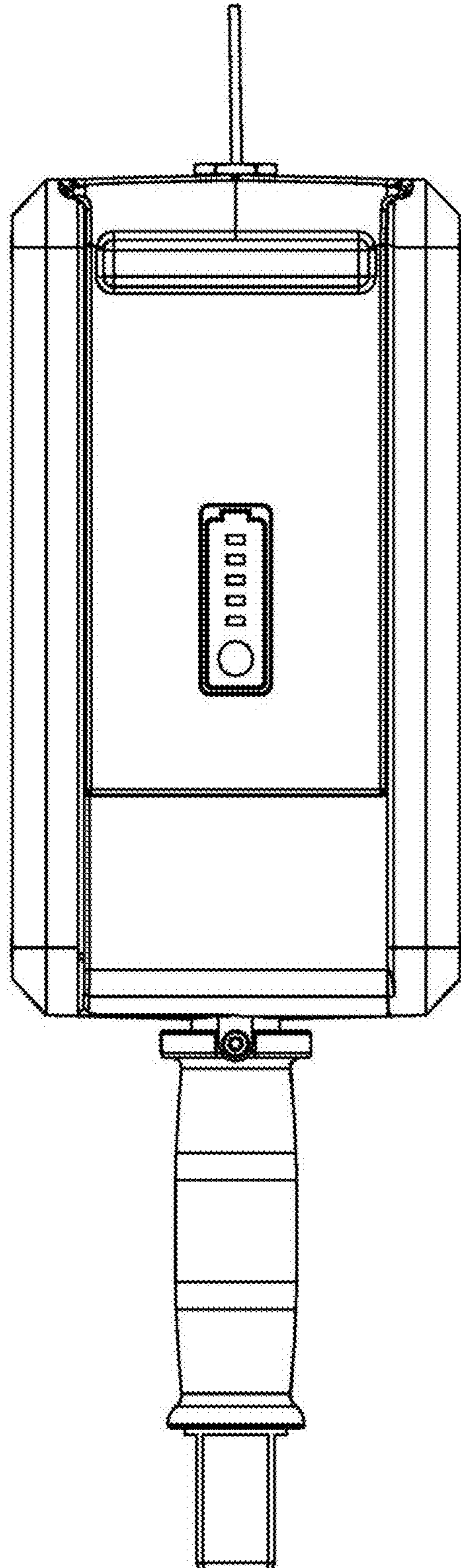
1. Control unit of a lifting device
1.1 : Front
1.2 : Right
1.3 : Back
1.4 : Perspective
1.5 : Left
1.6 : Top
1.7 : Bottom

See application file for complete search history.

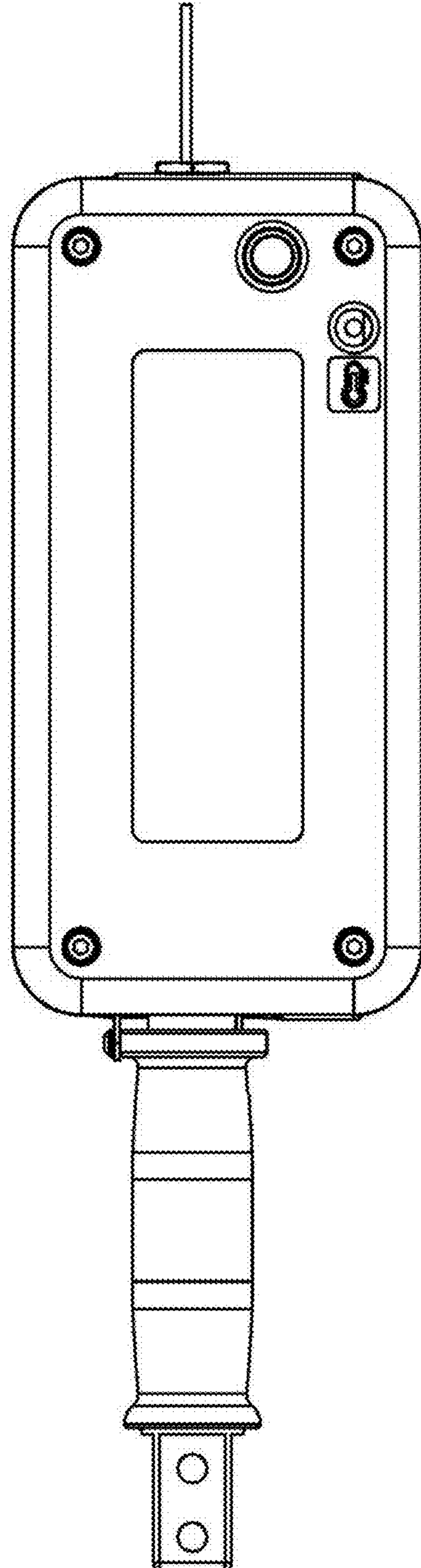
1 Claim, 7 Drawing Sheets



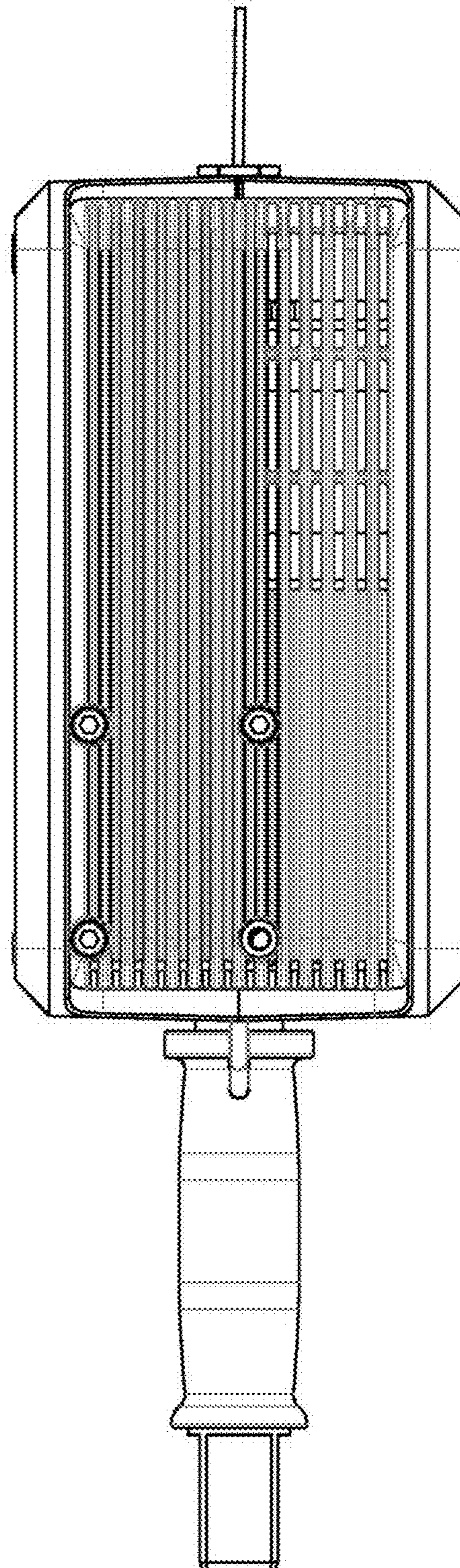
1.1



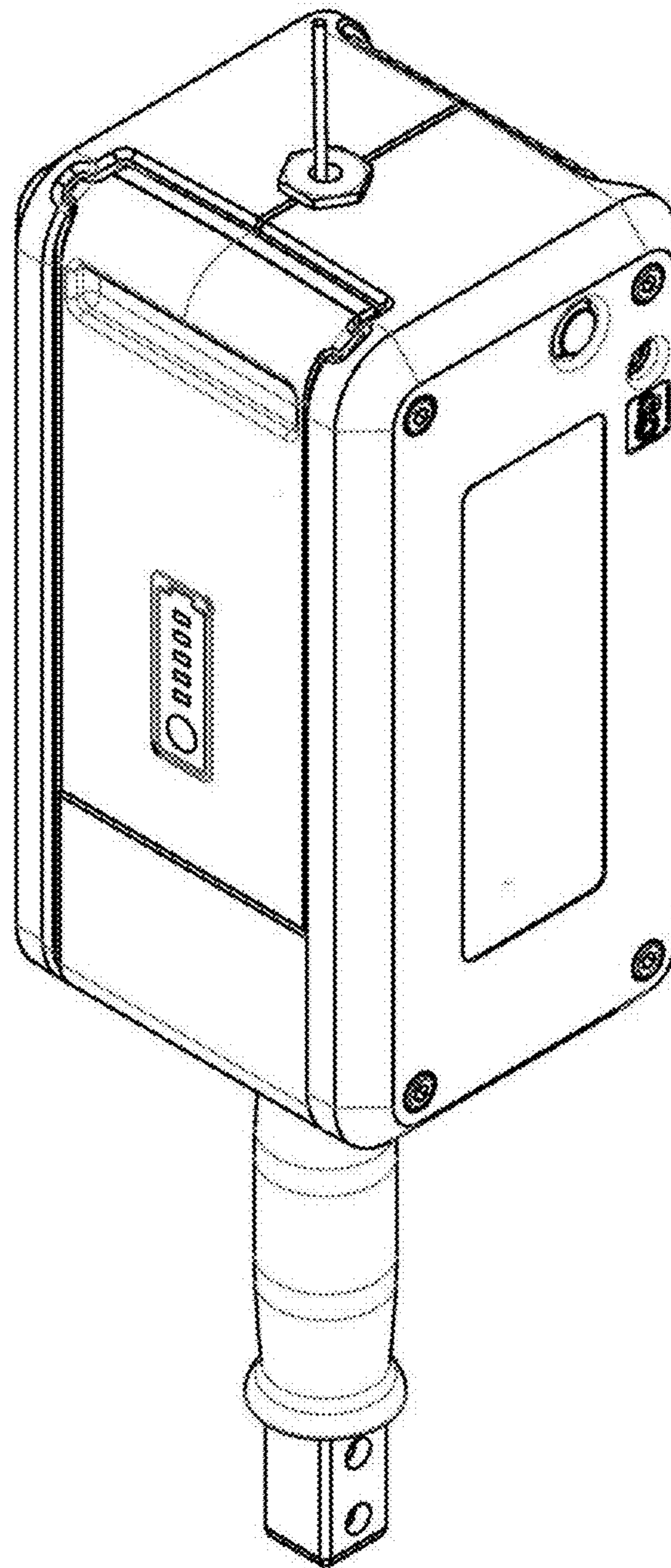
1.2



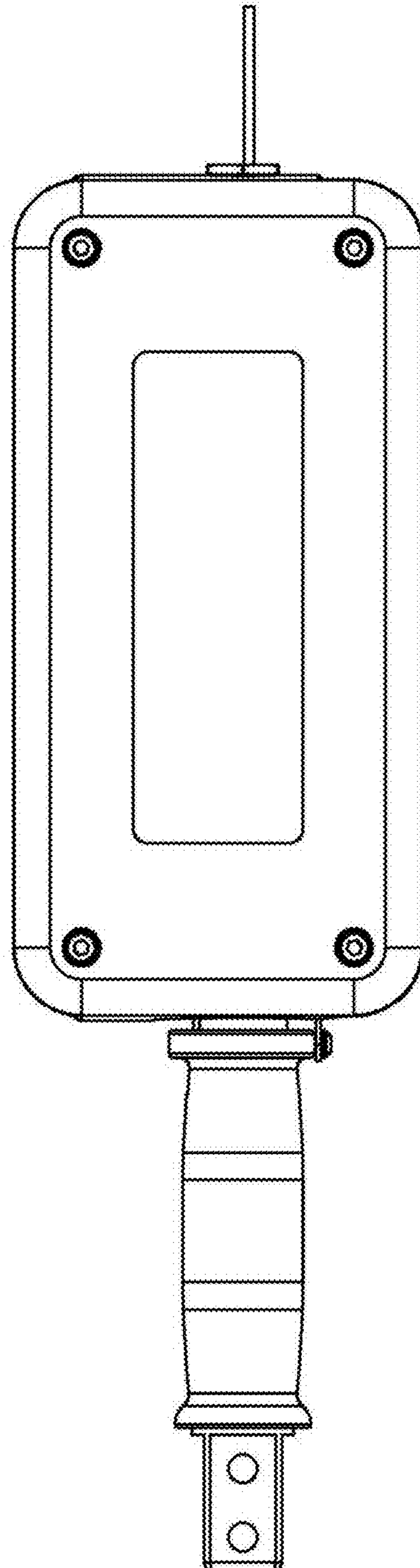
1.3



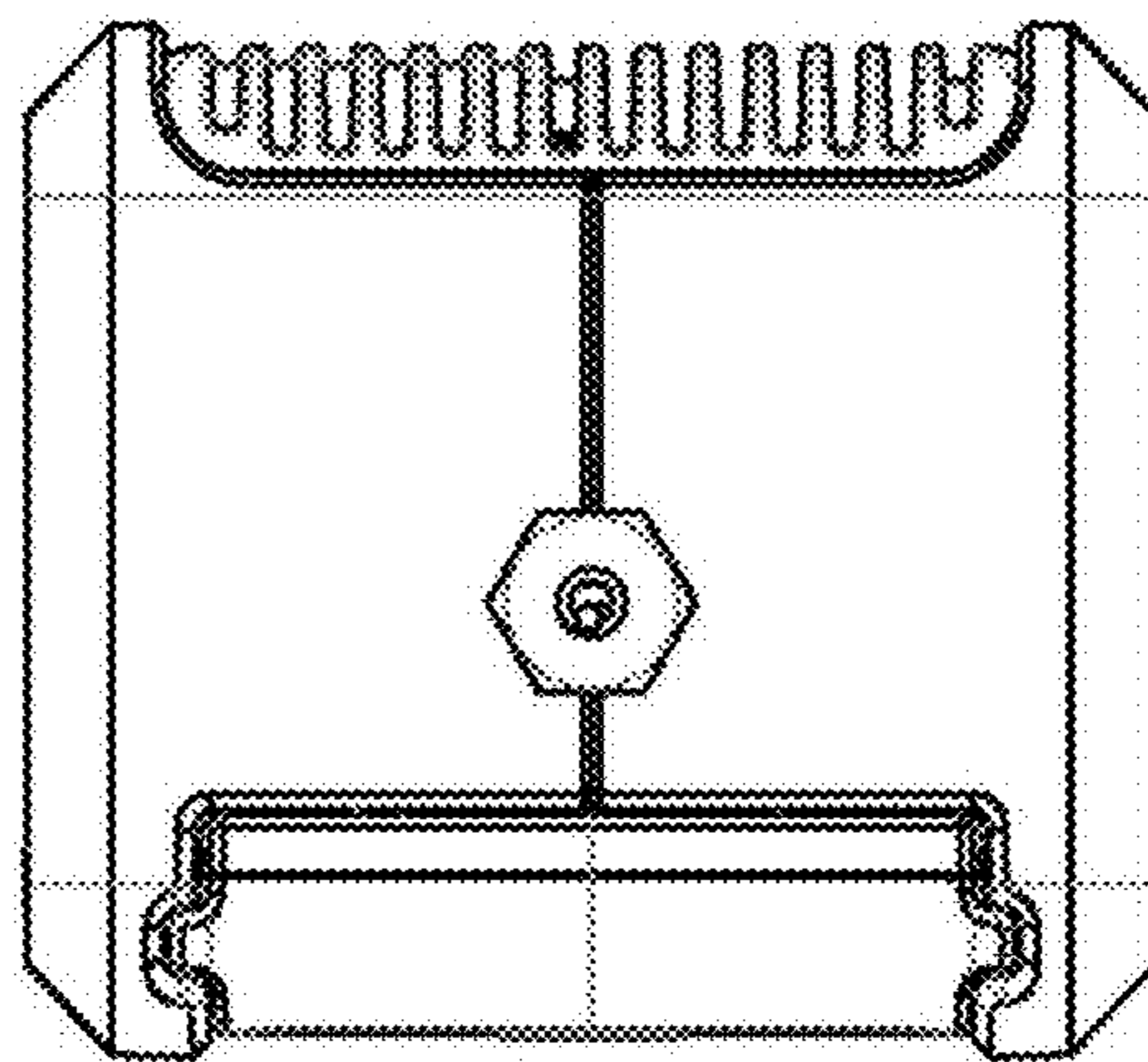
1.4



1.5



1.6



1.7

