



US00D926417S

(12) **United States Design Patent**
Nomura et al.

(10) **Patent No.:** **US D926,417 S**
(45) **Date of Patent:** **** Jul. 27, 2021**

(54) **TRANSFER ASSISTANCE MACHINE**

(71) Applicant: **FUJI CORPORATION**, Aichi-ken (JP)

(72) Inventors: **Hideaki Nomura**, Toyota (JP); **Takeshi Sato**, Nagoya (JP); **Nobuyuki Nakane**, Toyota (JP); **Kuniyasu Nakane**, Okazaki (JP); **Ryu Takahashi**, Toyota (JP); **Satoshi Shimizu**, Chiryu (JP)

(73) Assignee: **FUJI CORPORATION**, Aichi-ken (JP)

(**) Term: **15 Years**

(21) Appl. No.: **29/718,240**

(22) Filed: **Dec. 23, 2019**

(30) **Foreign Application Priority Data**

Sep. 11, 2019 (JP) 2019-020284

(51) **LOC (13) Cl.** **12-05**

(52) **U.S. Cl.**
USPC **D34/35**

(58) **Field of Classification Search**
USPC D34/12-39; D24/183; D8/382, 356,
D8/349, 353, 354, 380
CPC .. A61G 7/1069; A61G 7/1046; A61G 7/1078;
A61G 7/1017; A61G 7/1096
See application file for complete search history.

(56) **References Cited**

U.S. PATENT DOCUMENTS

- 10,045,895 B2 * 8/2018 Eklof A61G 7/1046
- 10,874,565 B2 * 12/2020 Eriksson A61G 7/1017
- 2002/0153176 A1 * 10/2002 Downing G01G 19/44
177/144
- 2009/0165204 A1 * 7/2009 Biersteker A61G 7/1051
5/87.1
- 2010/0031439 A1 * 2/2010 Spidare A61G 7/1069
5/87.1

OTHER PUBLICATIONS

Hug-T1, announced 2019 [online], [site visited Jan. 11, 2021]. Available from internet, URL: https://www.youtube.com/watch?v=lkOqKd3llp4&feature=emb_title (Year: 2019).*

* cited by examiner

Primary Examiner — Kevin K Rudzinski

Assistant Examiner — Tamara L Hahn

(74) *Attorney, Agent, or Firm* — JCIPRNET

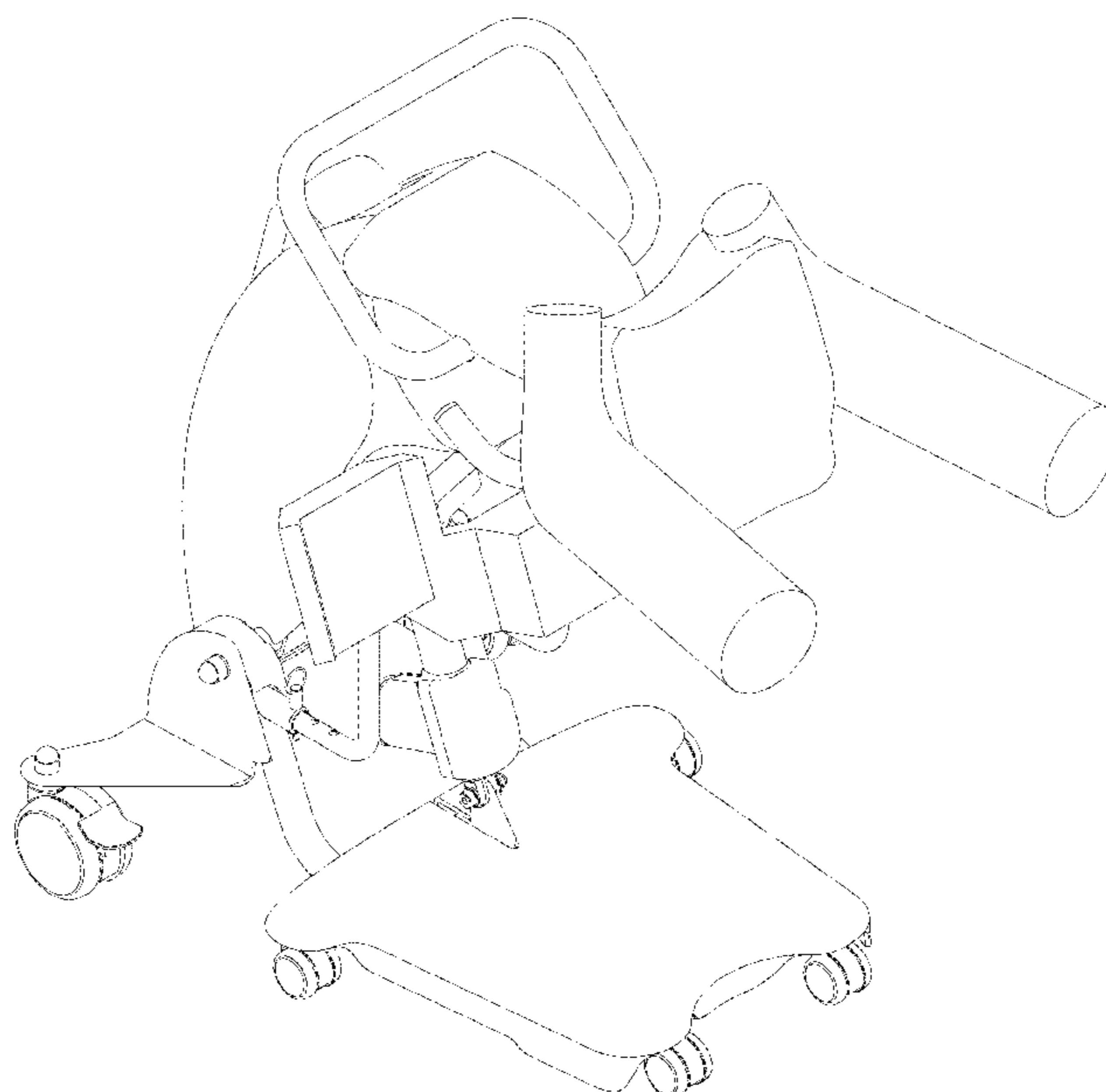
(57) **CLAIM**

The ornamental design for a transfer assistance machine, as shown and described.

DESCRIPTION

FIG. 1 is a front, left side perspective view of a transfer assistance machine showing our new design;
 FIG. 2 is a front view thereof;
 FIG. 3 is a rear view thereof;
 FIG. 4 is a left side view thereof;
 FIG. 5 is a right side view thereof;
 FIG. 6 is a top view thereof;
 FIG. 7 is a bottom view thereof;
 FIG. 8 is a rear, right side perspective view thereof;
 FIG. 9 is a left side view thereof with the holding part holding the body of the care receiver in a seating position; and,
 FIG. 10 is a left side view thereof with the holding part holding the body of the care receiver in a stand-up position. The dot-dashed broken lines in FIGS. 9 and 10 illustrate the care receiver and form no part of the claimed design. The dashed broken lines represent portions of the transfer assistance machine that form no part of the claimed design.

1 Claim, 10 Drawing Sheets



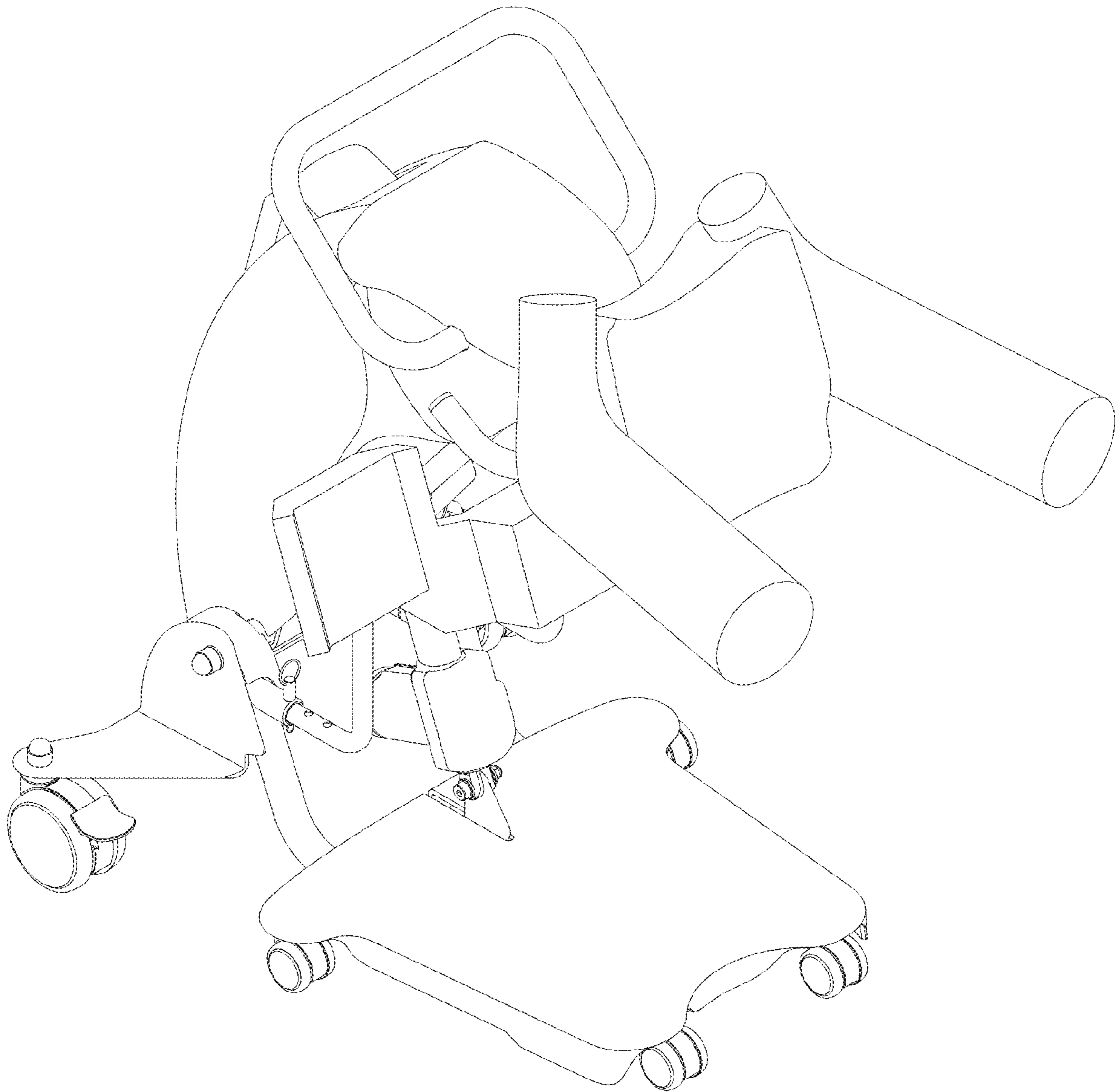


FIG. 1

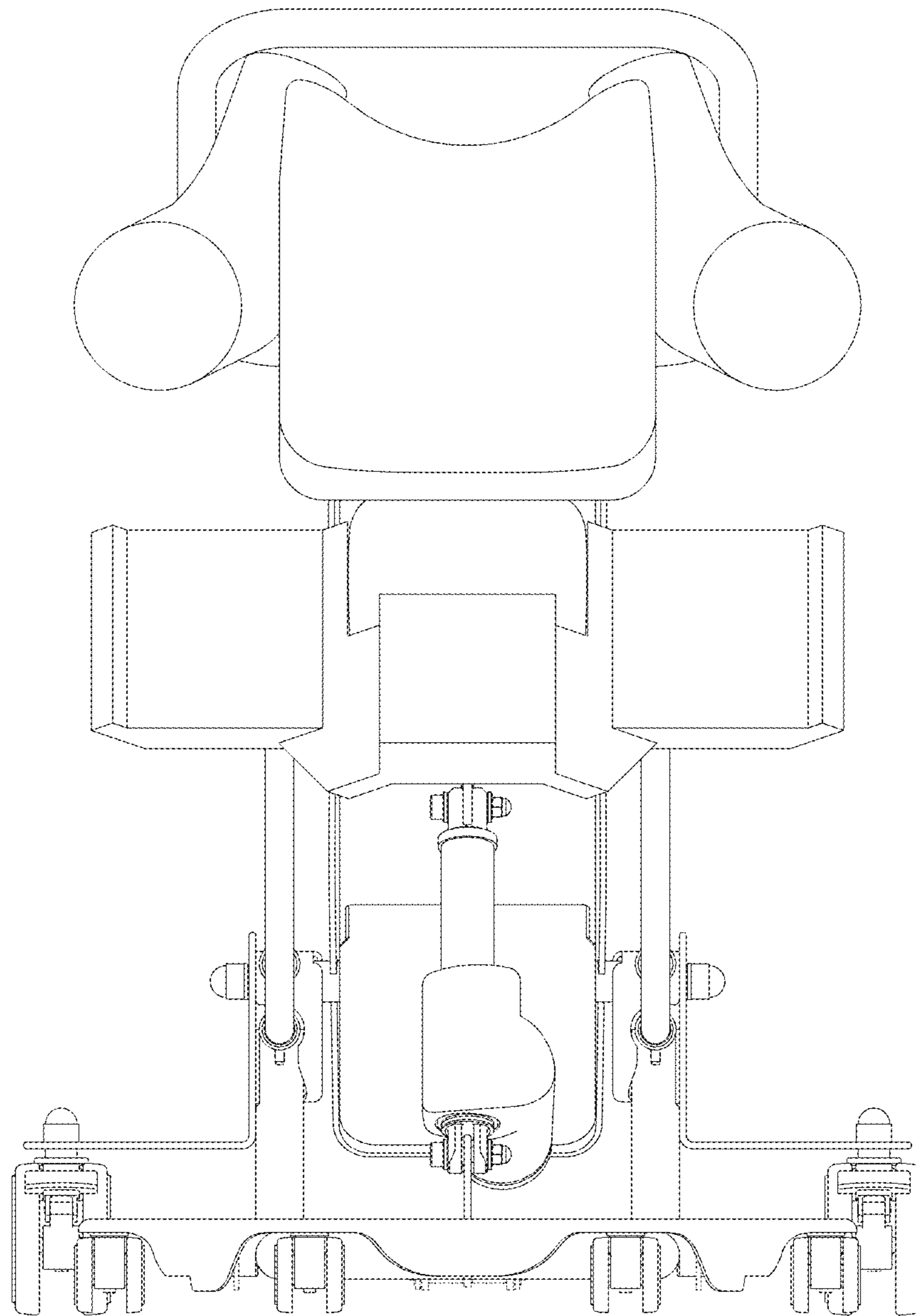


FIG. 2

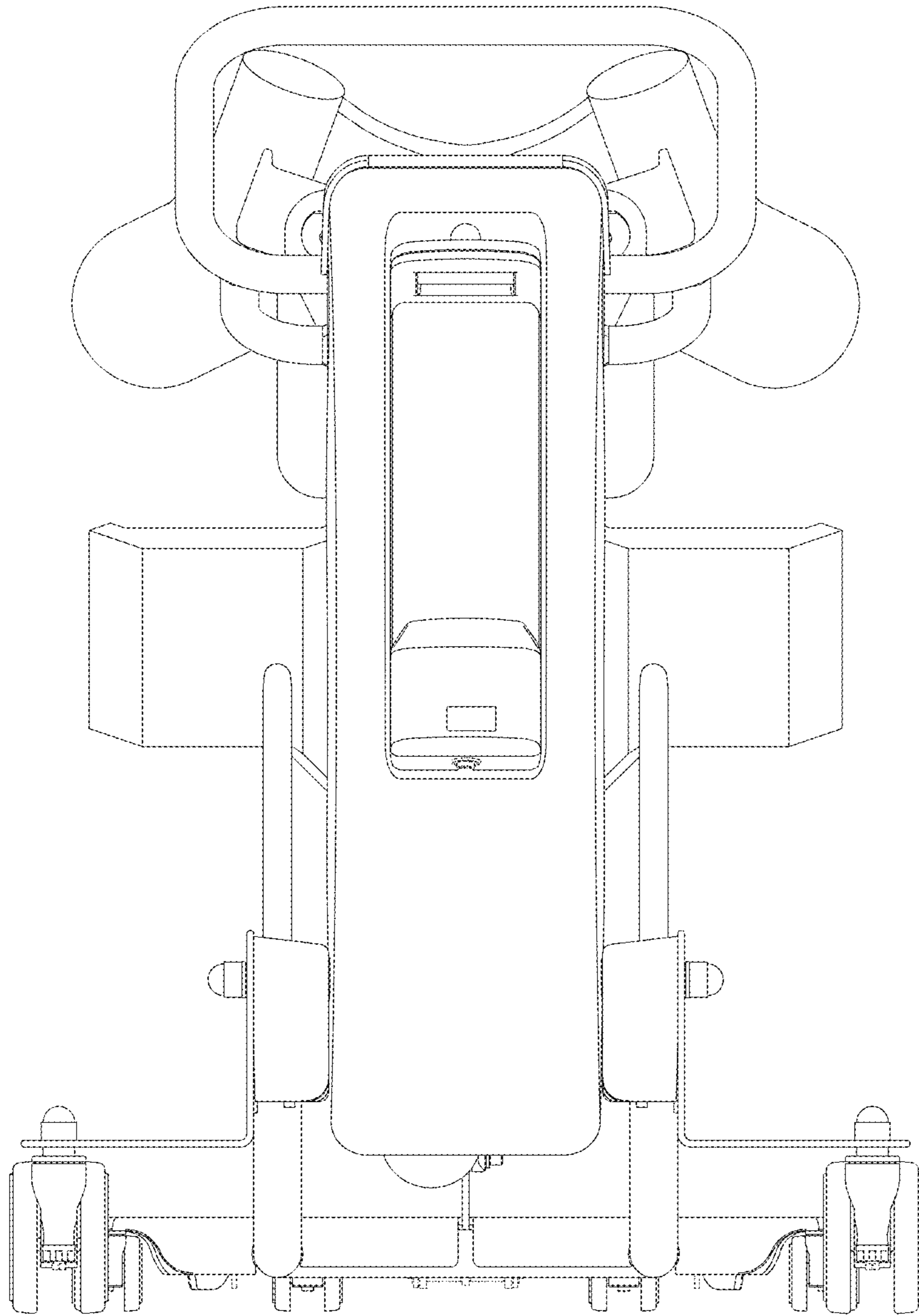


FIG. 3

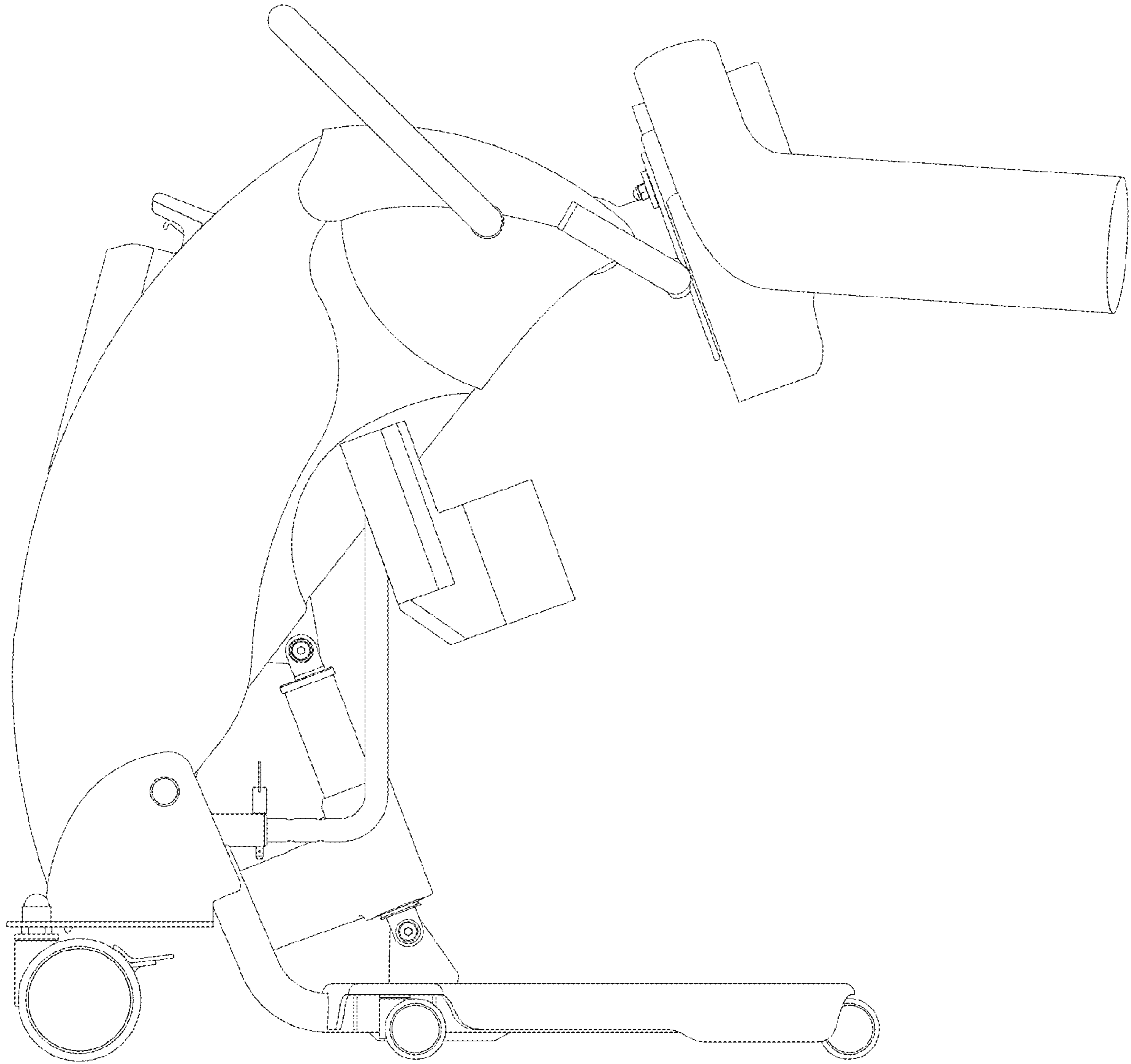


FIG. 4

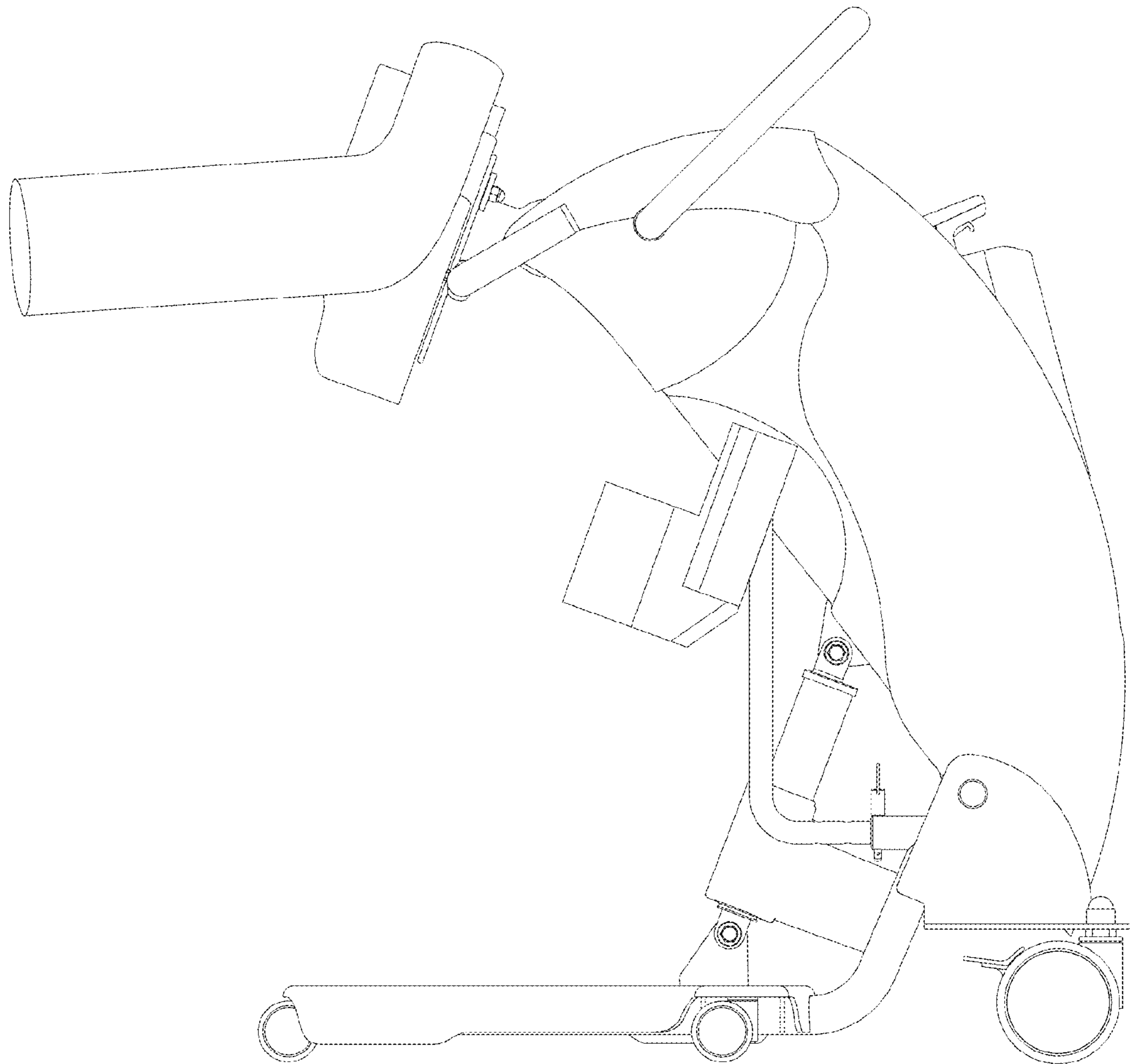


FIG. 5

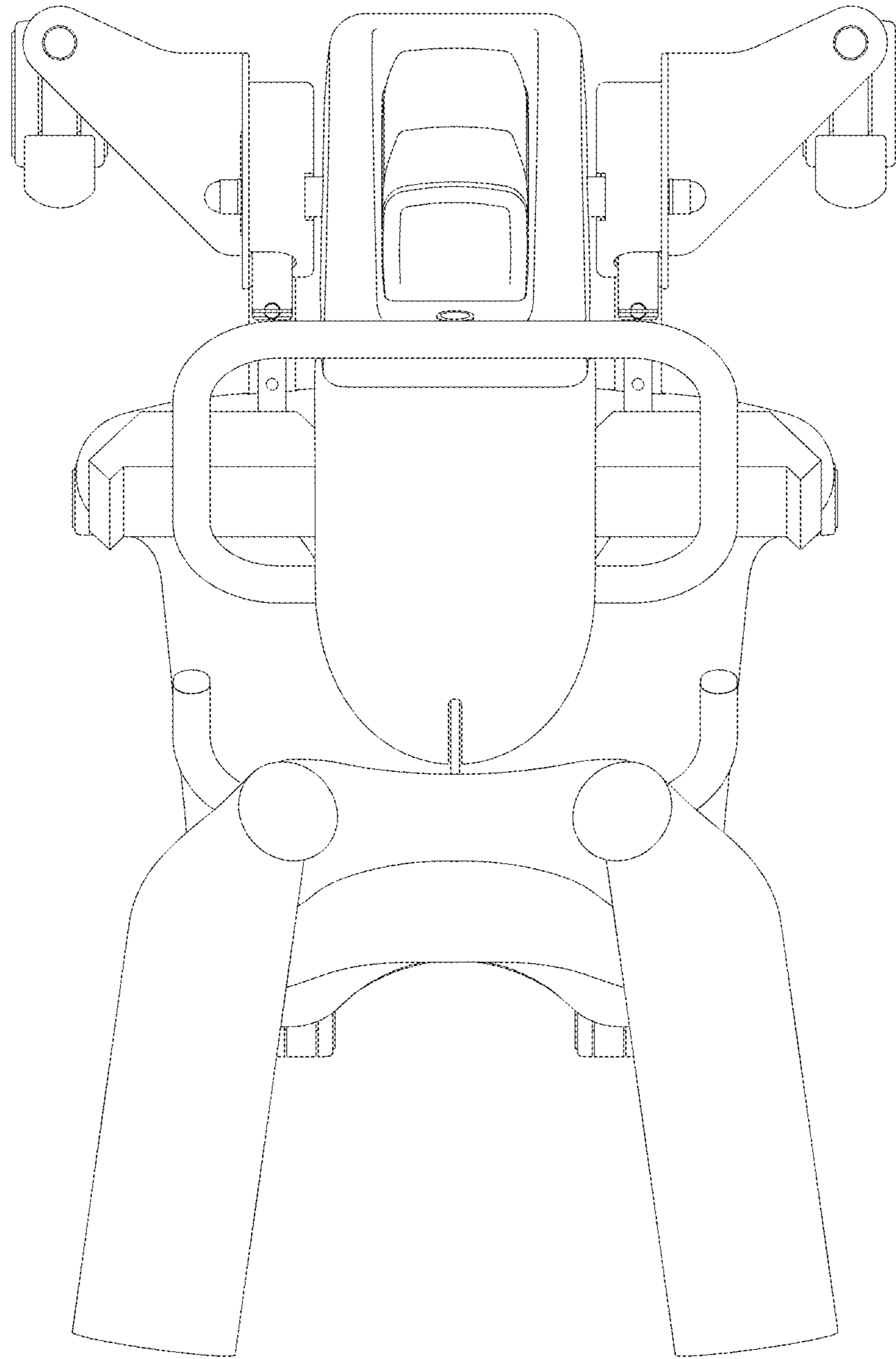


FIG. 6

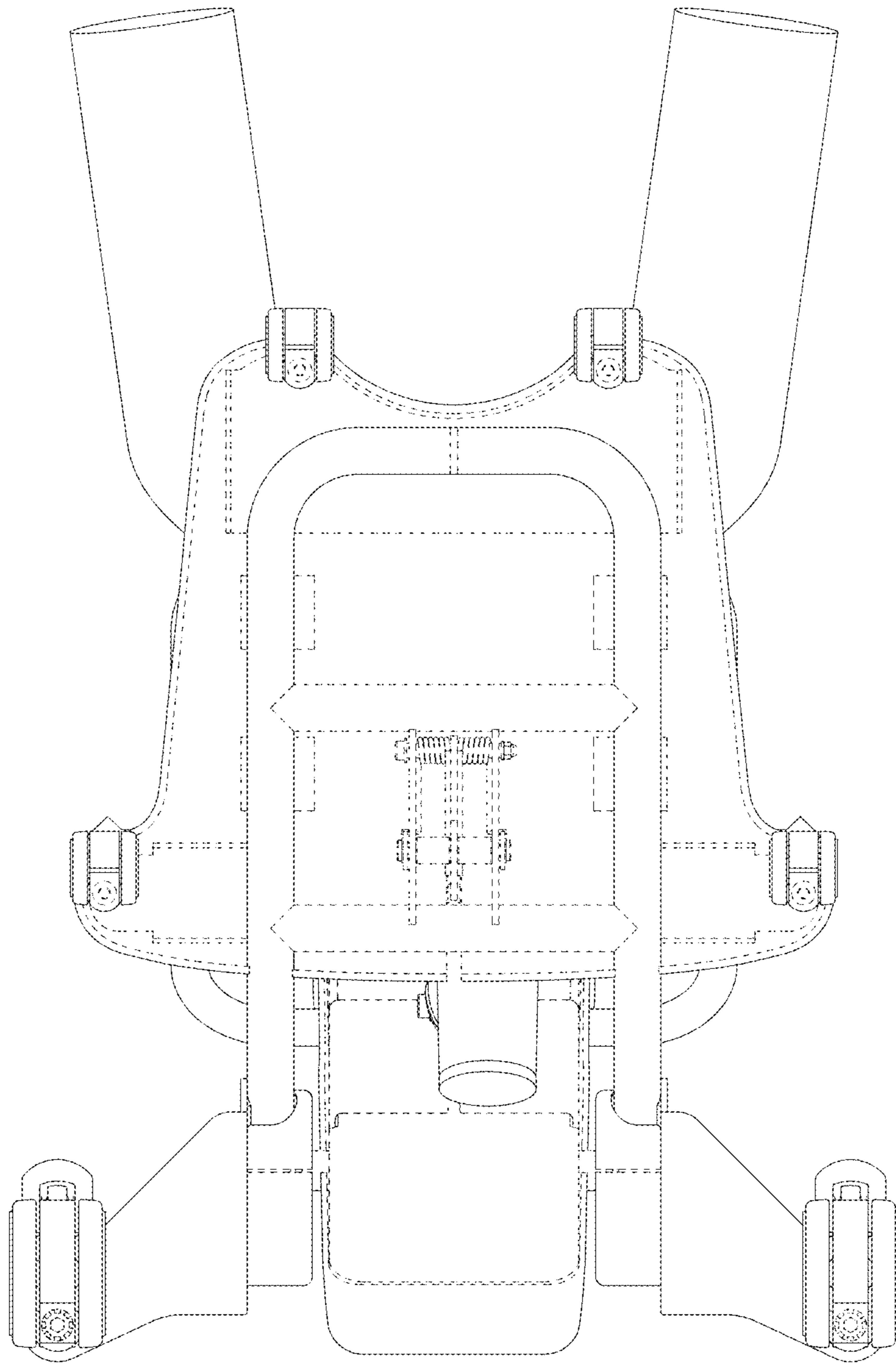


FIG. 7

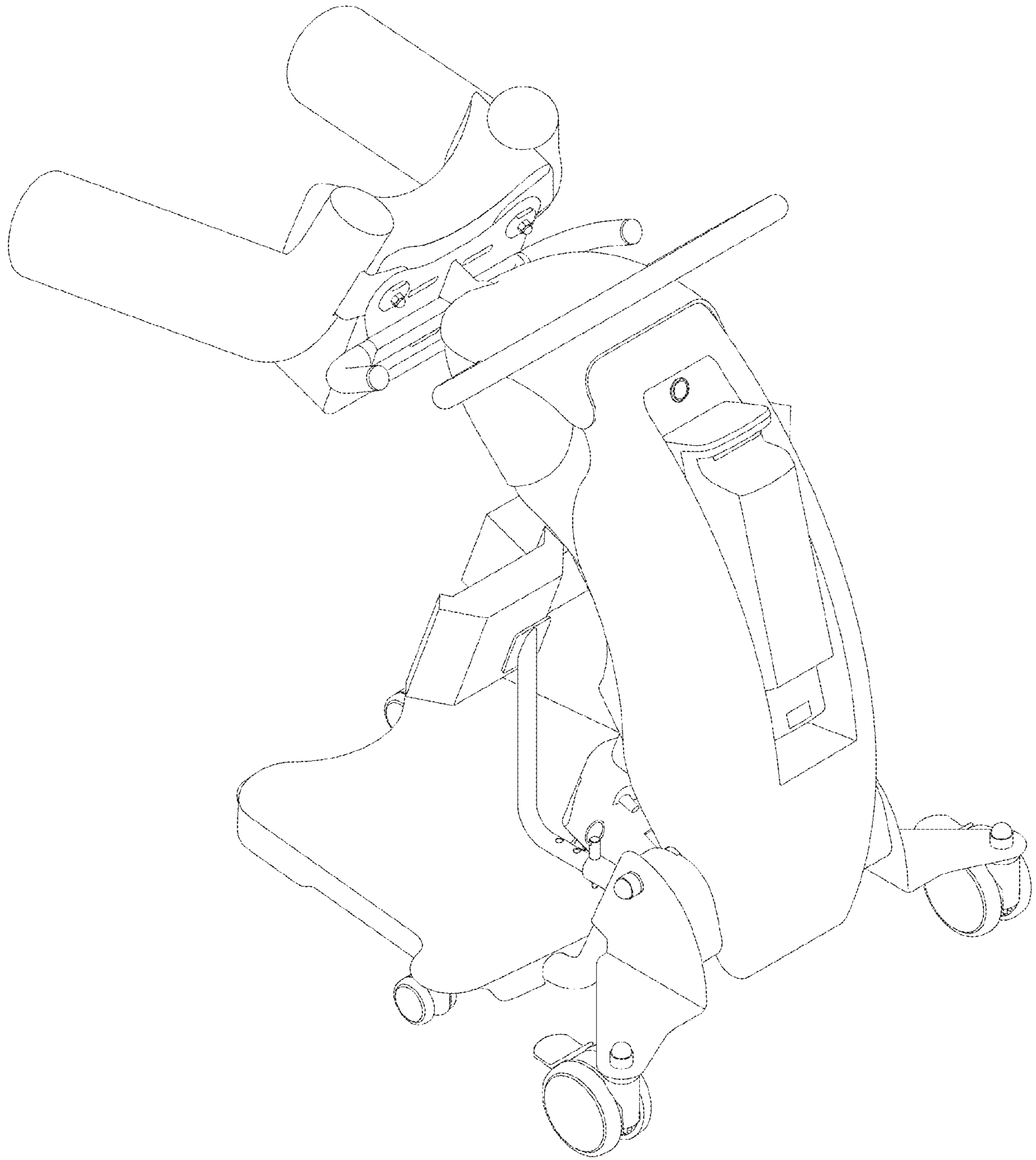


FIG. 8

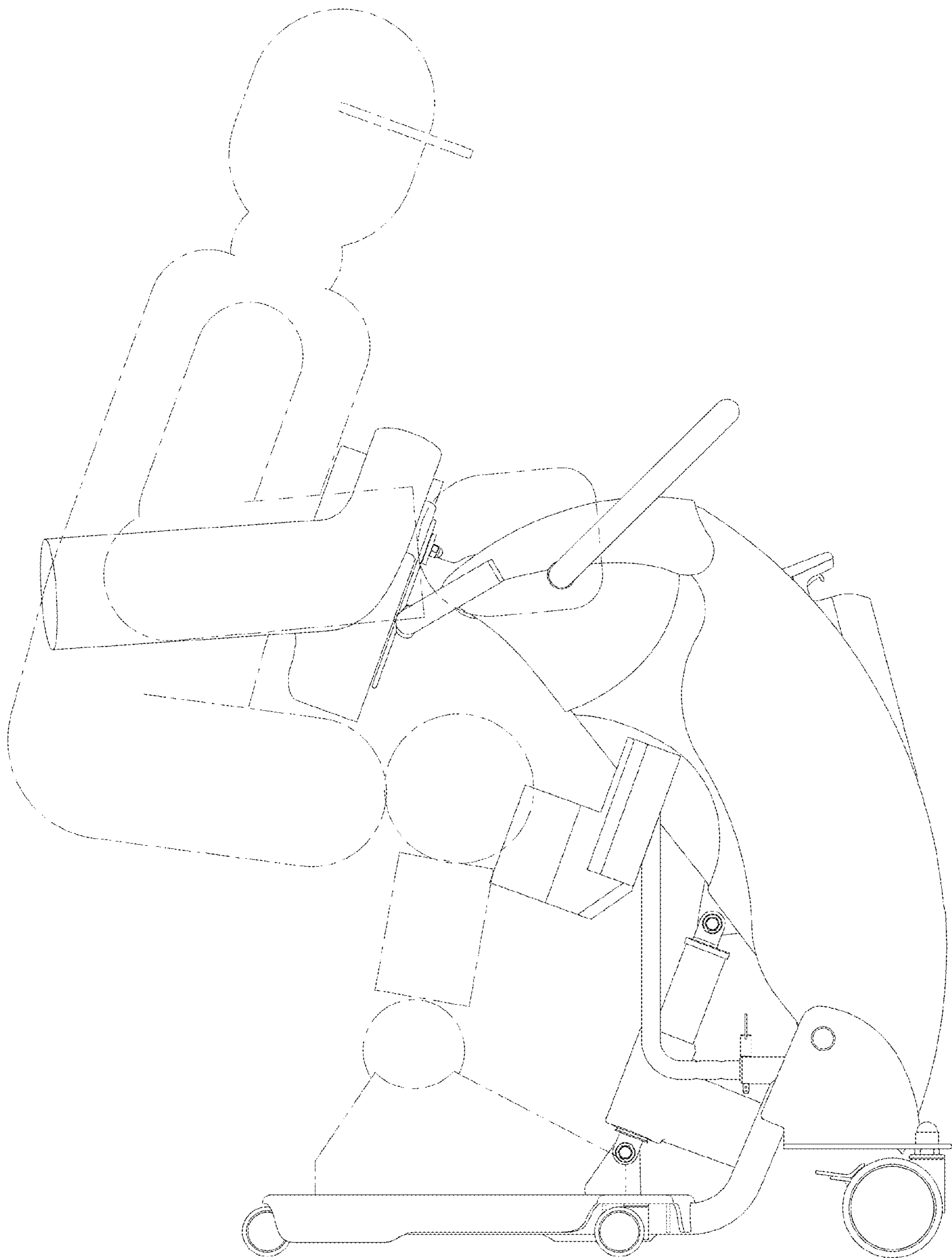


FIG. 9

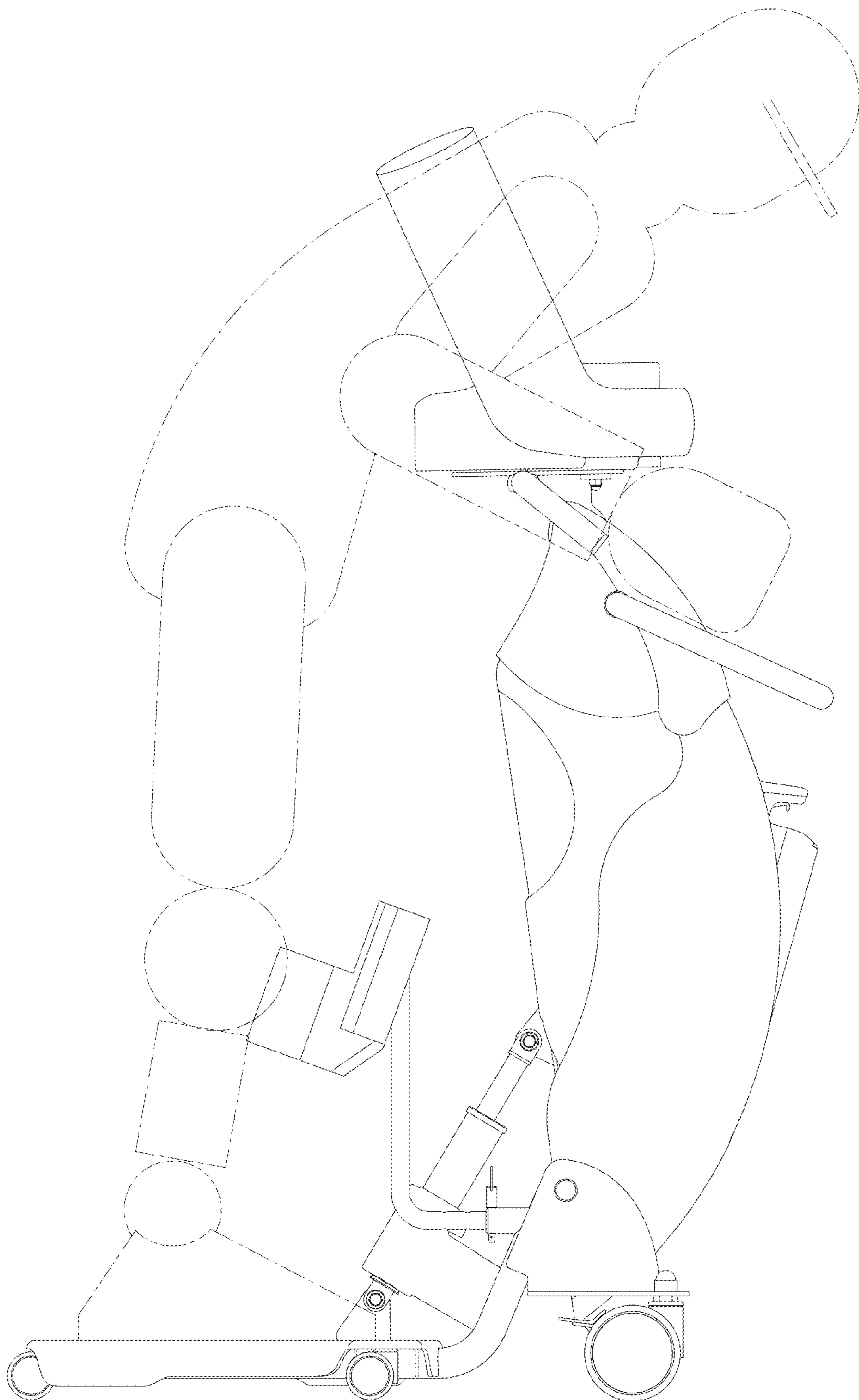


FIG. 10