



US00D926415S

(12) **United States Design Patent** (10) **Patent No.:** **US D926,415 S**
Su (45) **Date of Patent:** **** Jul. 27, 2021**

(54) **ROLLING UTILITY CART**

- (71) Applicant: **Henan Erlitou Network Technology Co., Ltd.**, Zhengzhou (CN)
- (72) Inventor: **Junchao Su**, Fugou (CN)
- (**) Term: **15 Years**
- (21) Appl. No.: **29/757,188**
- (22) Filed: **Nov. 4, 2020**
- (51) **LOC (13) Cl.** **12-02**
- (52) **U.S. Cl.**
USPC **D34/21**
- (58) **Field of Classification Search**
USPC D34/12, 17, 21; D6/675, 675.2, 675.5
CPC .. B62B 1/00; B62B 1/008; B62B 1/12; B62B 3/002; B62B 3/006; B62B 3/02; B62B 3/10
See application file for complete search history.

(56) **References Cited**

U.S. PATENT DOCUMENTS

D207,308 S *	4/1967	Bell	D34/21
D546,018 S *	7/2007	Goodell	D34/21
D588,322 S	3/2009	Tilk et al.		
D598,623 S	8/2009	Zang et al.		
D683,513 S	5/2013	Wei et al.		
D703,412 S *	4/2014	Snider	D34/21
D796,145 S	8/2017	Ruttan		
D798,520 S	9/2017	Walter et al.		
D817,584 S	5/2018	Phillips et al.		
D840,127 S	2/2019	Walter et al.		
D852,448 S *	6/2019	Hu	D34/21
D852,449 S *	6/2019	Hu	D34/21
D858,928 S *	9/2019	Cao	D34/21
D901,817 S *	11/2020	Li	D34/21
D902,521 S *	11/2020	Tsai	D34/21
2020/0231197 A1 *	7/2020	Liu	A47B 47/0083

OTHER PUBLICATIONS

- Amazon.com, Mar. 25, 2021, /www.amazon.com/KINGRACK-Storage-Rolling-Pegboard-Organizer/dp/B07X2CGCN1 (Year: 2021).*
- Amazon.com, Mar. 25, 2021, DTK 3 Tier utility rolling cart with cover board, <https://www.amazon.com/Utility-Rolling-Storage-Locking-Bathroom/dp/B08DF947YF> (Year: 2021).*
- Alibaba.com, Wholesale 4-Tier Utility Rolling Cart Trolley cart Kitchen Organizer Trolley Storage Rack Storage Holders, <https://wireking.en.alibaba.com/product/1600100207696-810139420> (Year: 2021).*
- The container store, Mar. 25, 2021, Dark Grey 1-tier rolling cart, <https://www.containerstore.com/s/craft-hobby/dark-grey-3-tier-rolling-cart/> (Year: 2020).*

* cited by examiner

Primary Examiner — Cynthia Ramirez
(74) *Attorney, Agent, or Firm* — Rumit Ranjit Kanakia

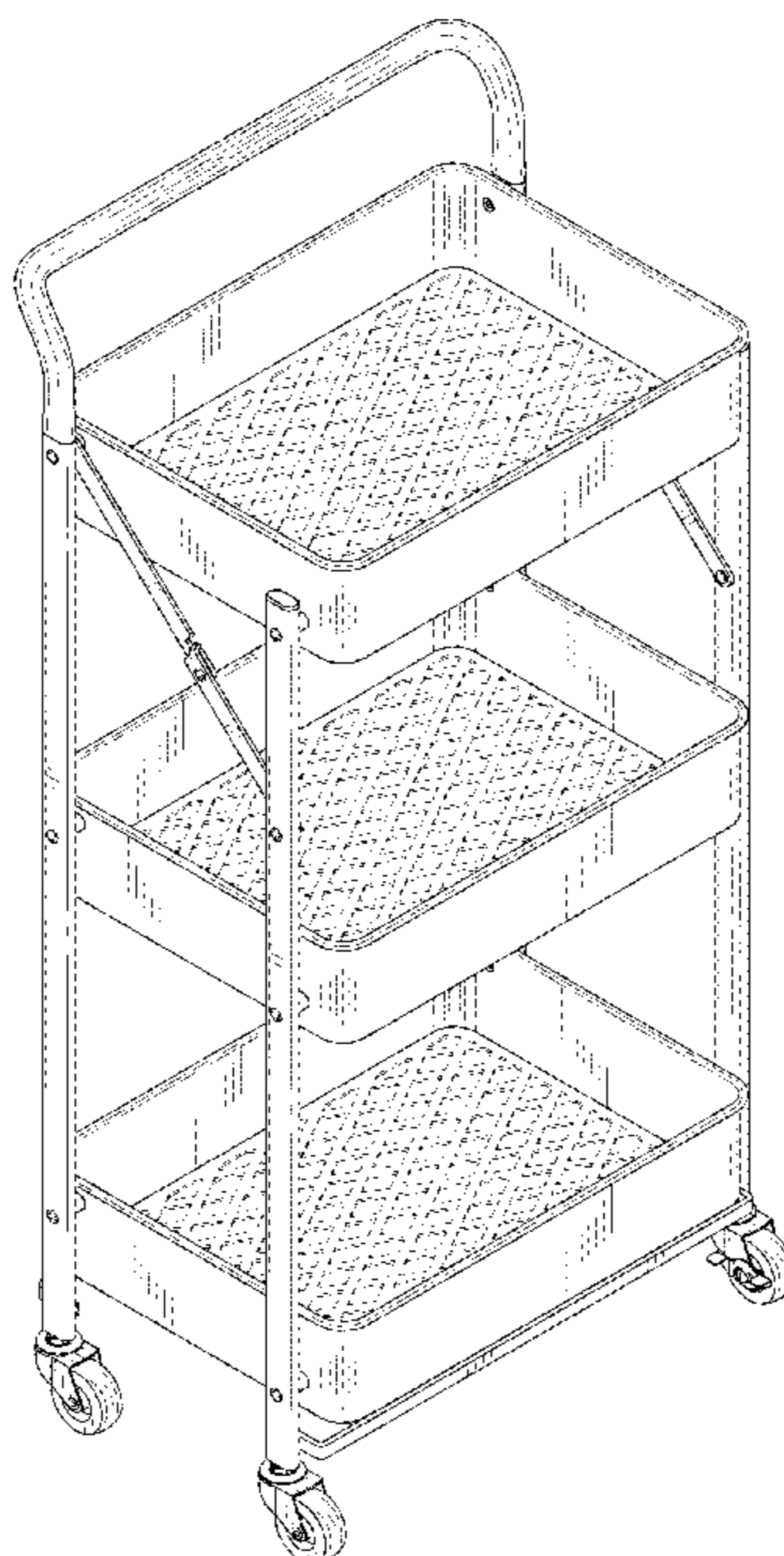
(57) **CLAIM**

The ornamental design for a rolling utility cart, as shown and described.

DESCRIPTION

FIG. 1 is a front elevational view thereof of a rolling utility cart showing my new design;
FIG. 2 is a rear elevational view thereof;
FIG. 3 is a left side view thereof;
FIG. 4 is a right side view thereof;
FIG. 5 is a top plan view thereof;
FIG. 6 is a bottom plan view thereof; and,
FIG. 7 is a perspective view thereof.
The broken lines in the figures show portions of the rolling utility cart, which form no part of the claimed design.

1 Claim, 7 Drawing Sheets



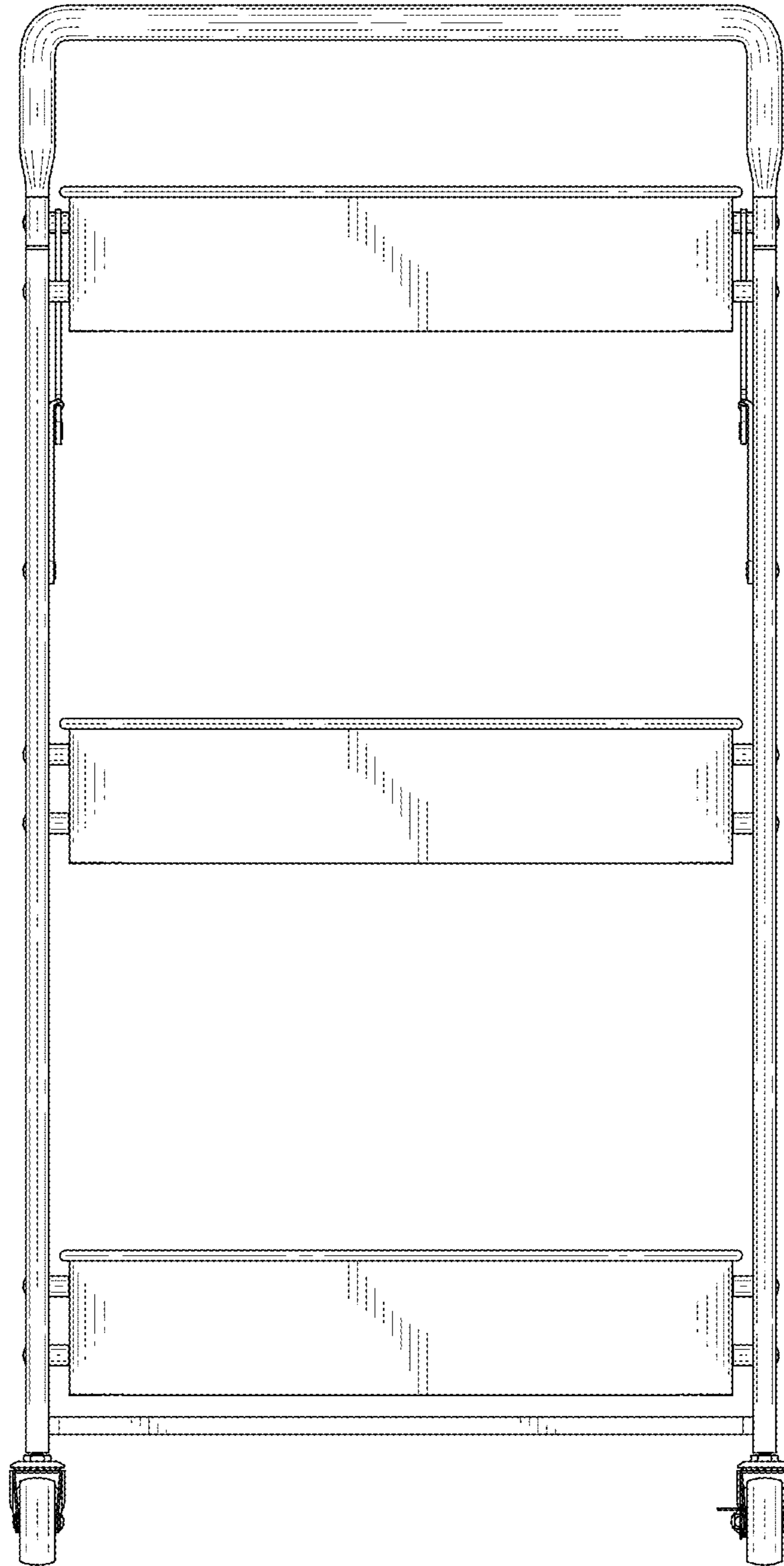


Fig. 1

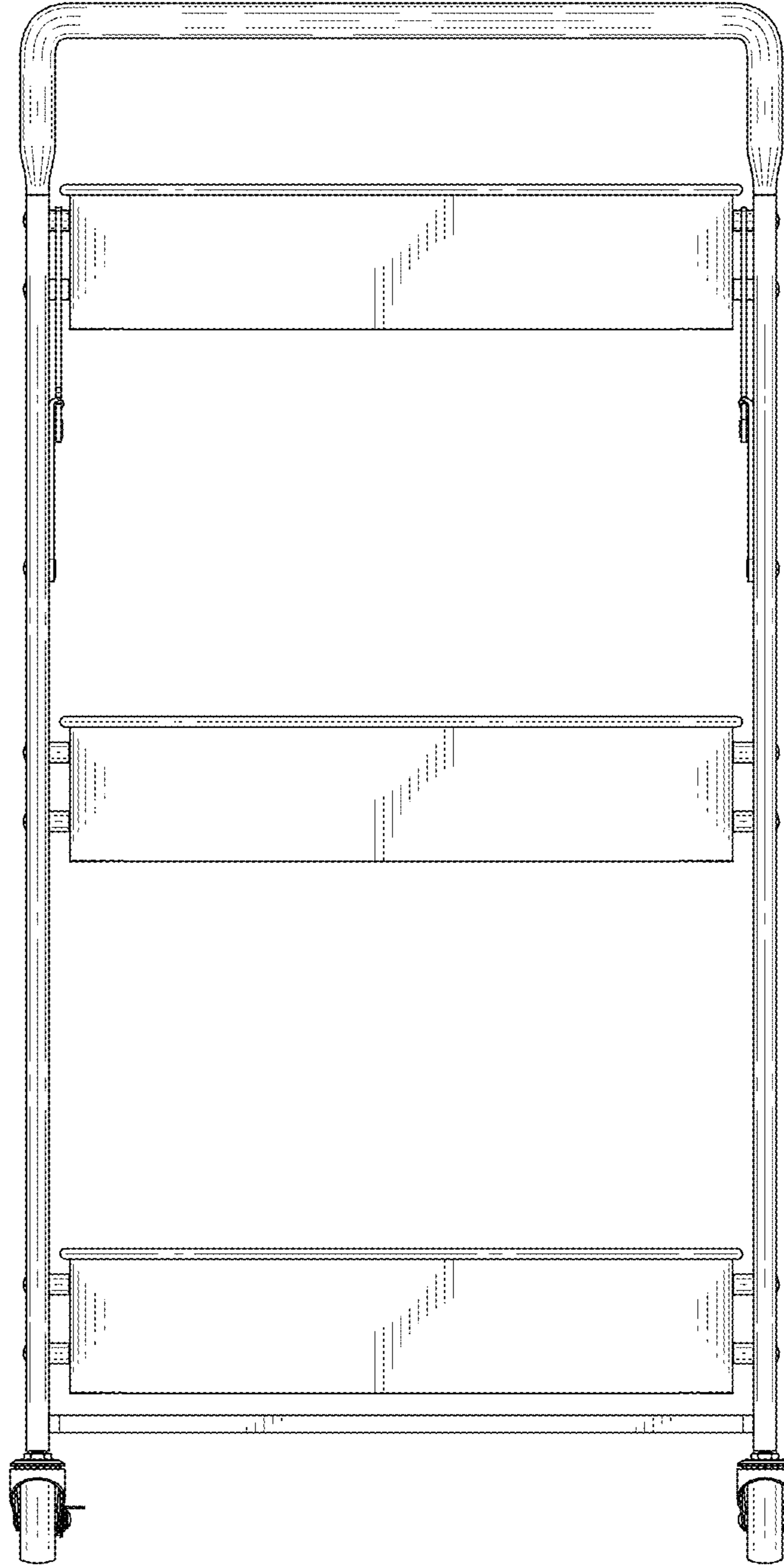


Fig.2

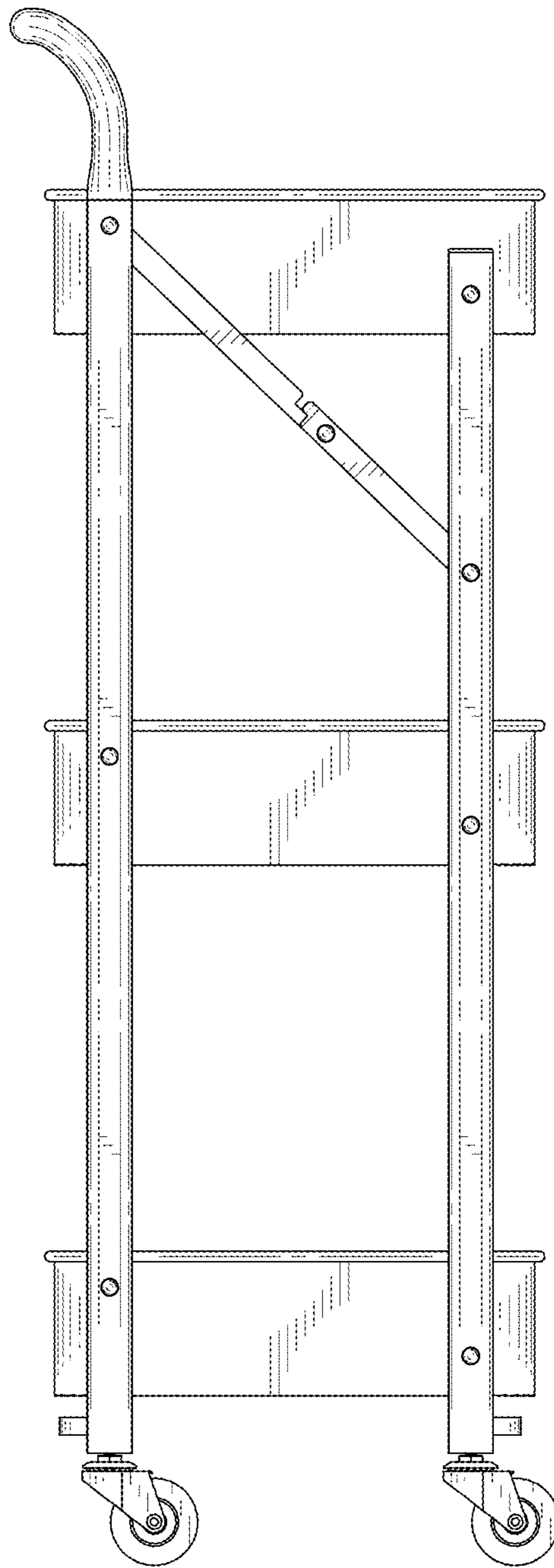


Fig. 3

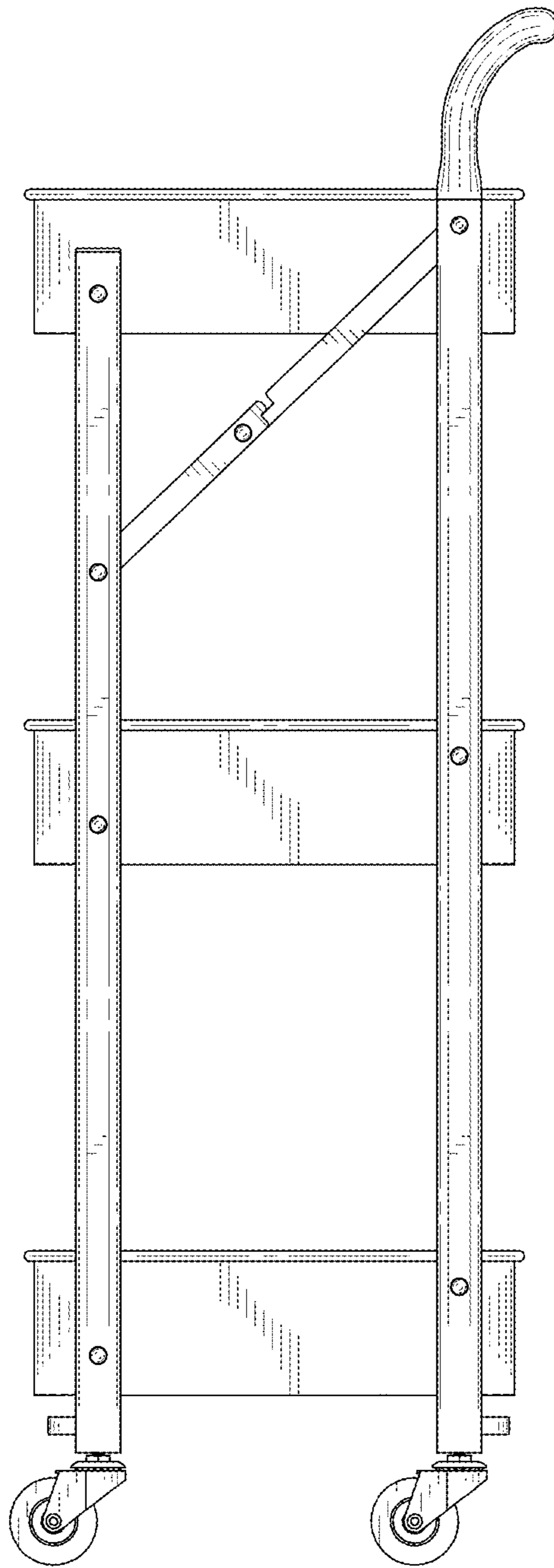


Fig. 4

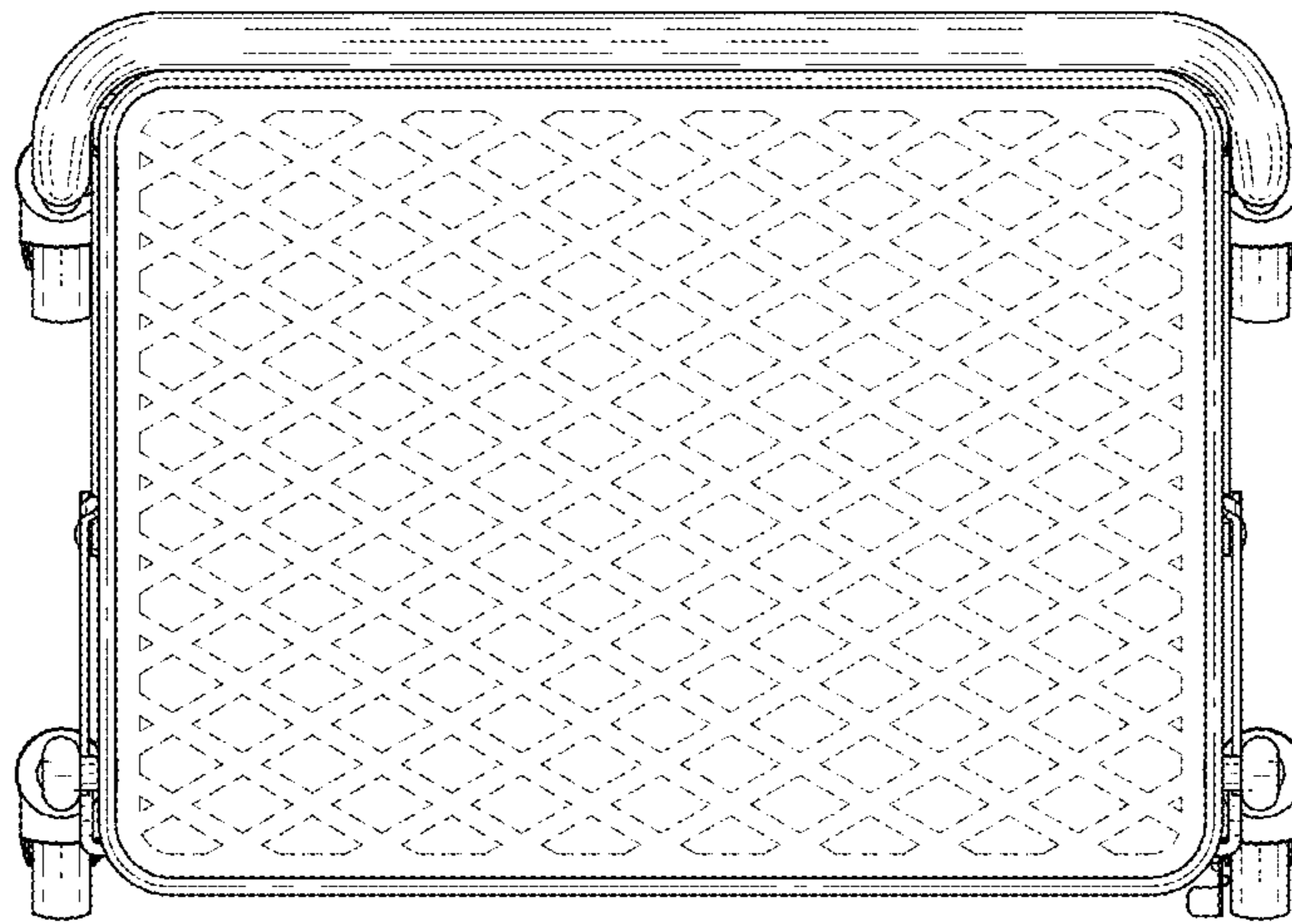


Fig.5

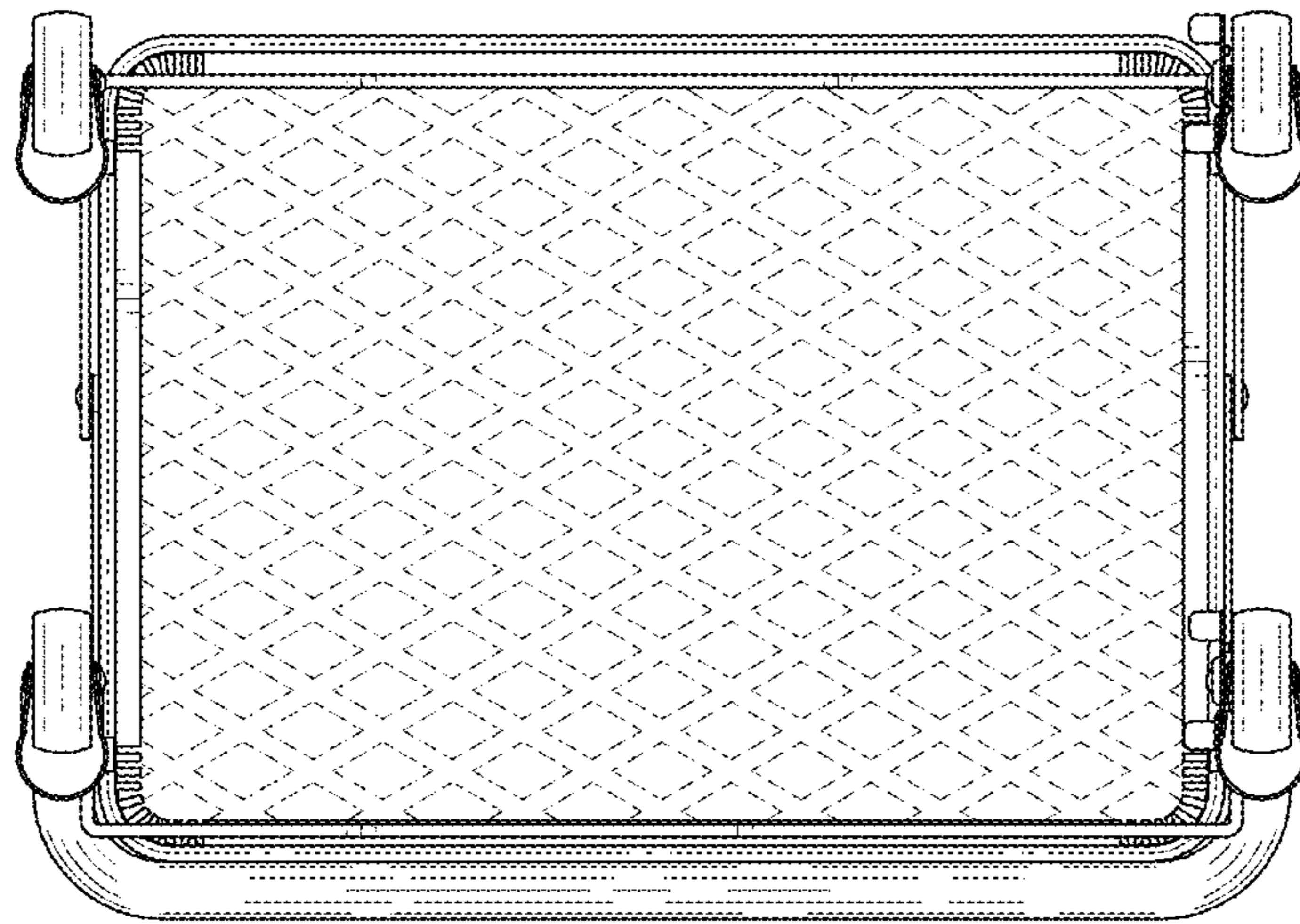


Fig. 6

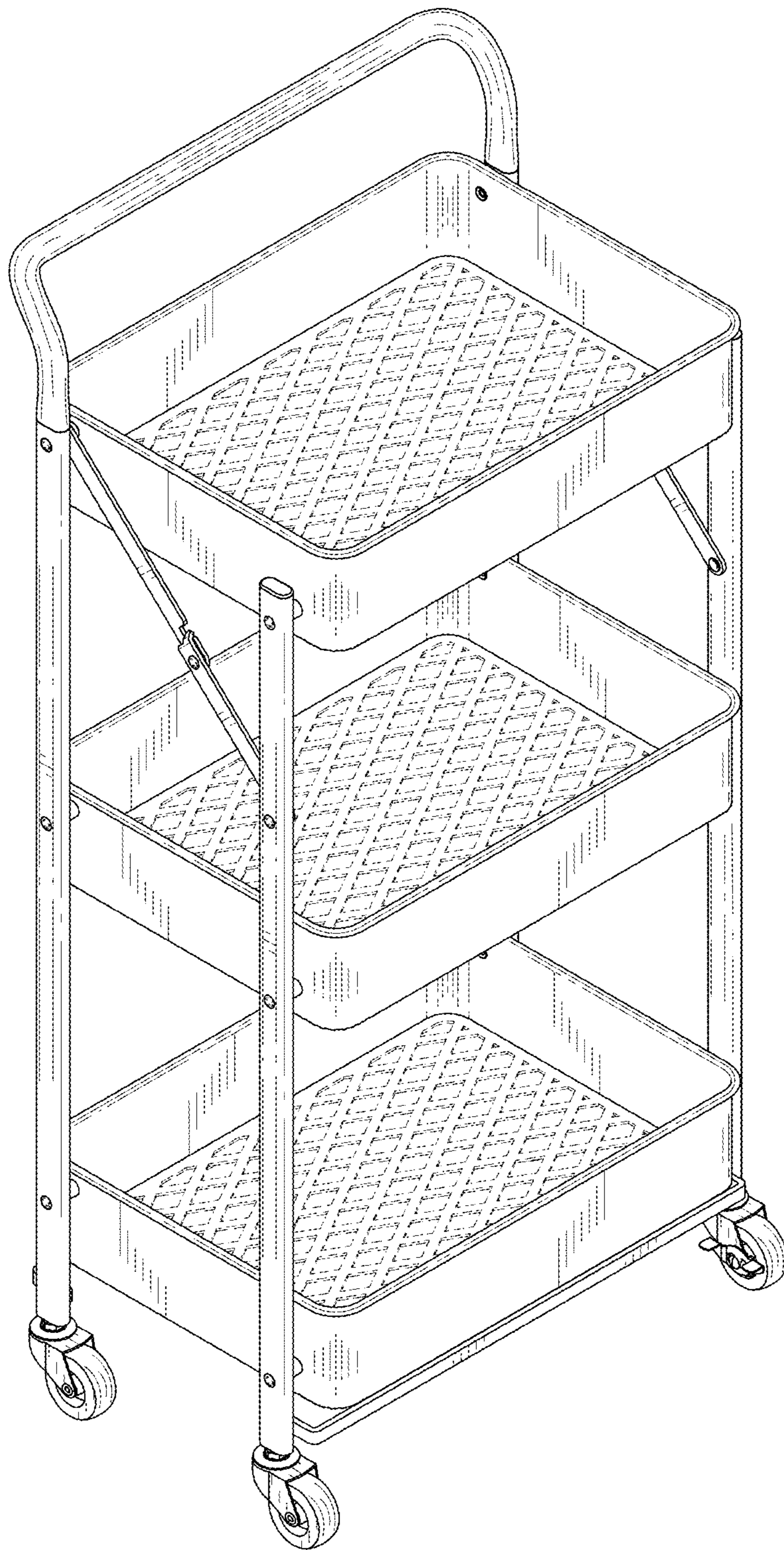


Fig. 7