



US00D926413S

(12) **United States Design Patent**  
**Pang**

(10) **Patent No.:** **US D926,413 S**

(45) **Date of Patent:** **\*\* Jul. 27, 2021**

- (54) **HAND-PULLED FOLDING CAR**
- (71) Applicant: **Qingdao TMZ Tools Co., Ltd,**  
Qingdao (CN)
- (72) Inventor: **Wei Pang,** Qingdao (CN)
- (73) Assignee: **QINGDAO TMZ TOOLS CO., LTD,**  
Qingdao (CN)
- (\*\*) Term: **15 Years**
- (21) Appl. No.: **29/712,375**
- (22) Filed: **Nov. 7, 2019**
- (51) **LOC (13) Cl.** ..... **12-02**
- (52) **U.S. Cl.**  
USPC ..... **D34/12; D21/425**
- (58) **Field of Classification Search**  
USPC ..... **D34/12, 17; D12/425**  
CPC ..... **B62B 2206/02; B62B 5/06; B62B 5/067;**  
**B62B 1/112; B62B 1/20**  
See application file for complete search history.

(56) **References Cited**

**U.S. PATENT DOCUMENTS**

D738,436	S	*	9/2015	Cummings	.....	D21/425
D748,739	S	*	2/2016	Horowitz	.....	D21/425
D827,722	S	*	9/2018	Sun	.....	D21/425
10,099,712	B1	*	10/2018	Sun	.....	B62B 3/025
10,370,018	B1	*	8/2019	Maher	.....	B62B 13/18
10,399,586	B1	*	9/2019	Huang	.....	B62B 3/003
D877,442	S	*	3/2020	Ohirko	.....	D34/17
D880,799	S	*	4/2020	Pang	.....	D34/12
10,633,010	B1	*	4/2020	Zhang	.....	B62B 3/025
D893,822	S	*	8/2020	Ohirko	.....	D34/17
D894,290	S	*	8/2020	Liu	.....	D21/425
D898,315	S	*	10/2020	Wernberg	.....	D34/12

D905,795	S	*	12/2020	McCollum	.....	D21/425
D908,302	S	*	1/2021	Shi	.....	D34/12
2010/0090444	A1	*	4/2010	Chen	.....	B62B 3/007
						280/651
2015/0035258	A1	*	2/2015	Chen	.....	B62B 3/007
						280/651
2018/0327011	A1	*	11/2018	Horowitz	.....	B62B 5/065
2020/0189638	A1	*	6/2020	Zhu	.....	B62B 5/067
2020/0255046	A1	*	8/2020	Bowman	.....	B62B 3/022
2021/0107548	A1	*	4/2021	Wang	.....	B62B 5/06

\* cited by examiner

*Primary Examiner* — Cynthia Ramirez

(74) *Attorney, Agent, or Firm* — Buchanan Ingersoll & Rooney PC

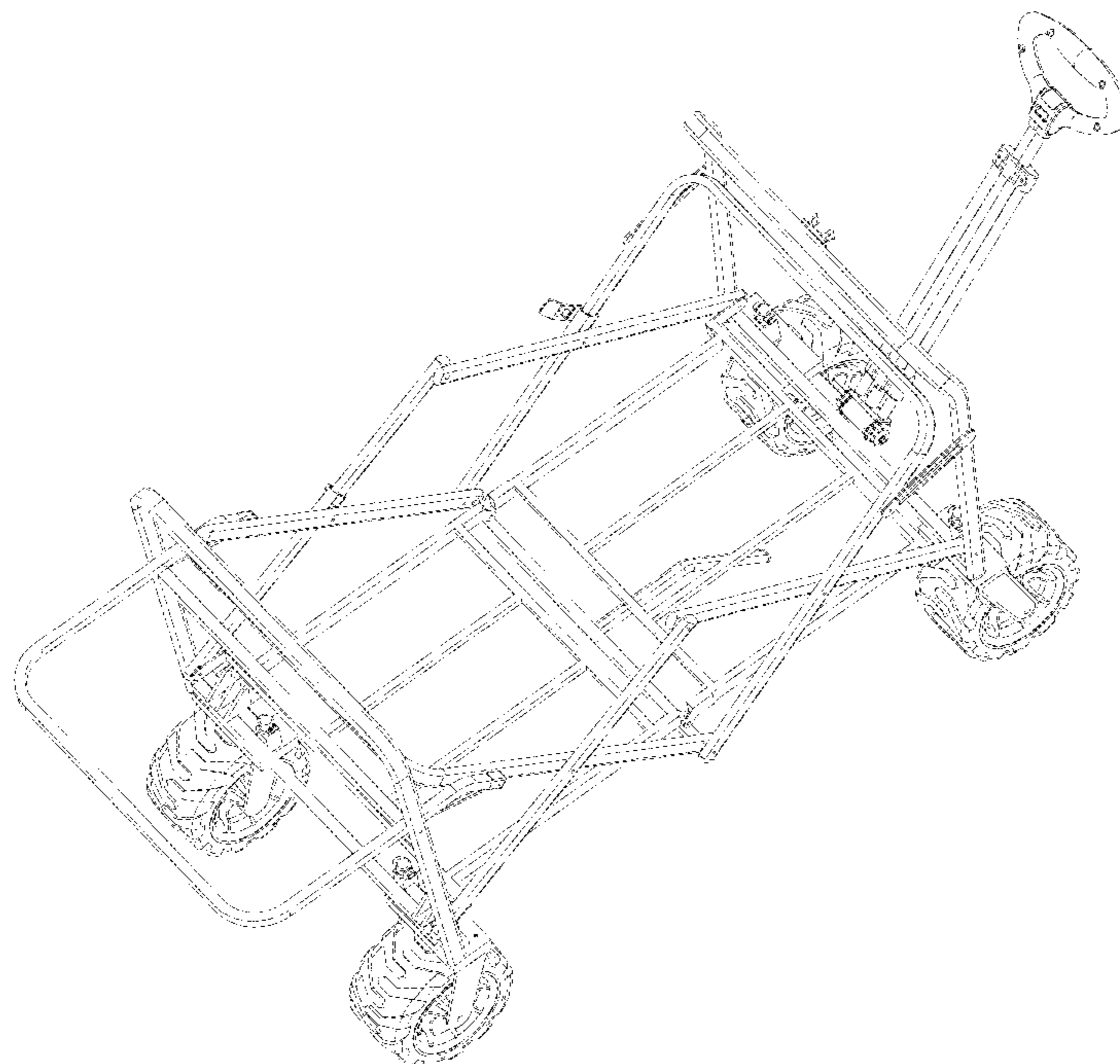
(57) **CLAIM**

The ornamental design for a hand-pulled folding car, as shown and described.

**DESCRIPTION**

FIG. 1 is a front view of a hand-pulled folding car in an unfolded configuration;  
 FIG. 2 is a rear view of FIG. 1;  
 FIG. 3 is a top view of FIG. 1;  
 FIG. 4 is a bottom view of FIG. 1;  
 FIG. 5 is a right-side view of FIG. 1, wherein a left-side view is a mirror image of the right-side view;  
 FIG. 6 is a perspective view of FIG. 1;  
 FIG. 7 is a front view of the hand-pulled folding car in a folded configuration;  
 FIG. 8 is a right-side view of FIG. 7, wherein a left-side view is a mirror image of the right-side view;  
 FIG. 9 is a bottom view of FIG. 7; and,  
 FIG. 10 is a perspective view of FIG. 7.

**1 Claim, 10 Drawing Sheets**



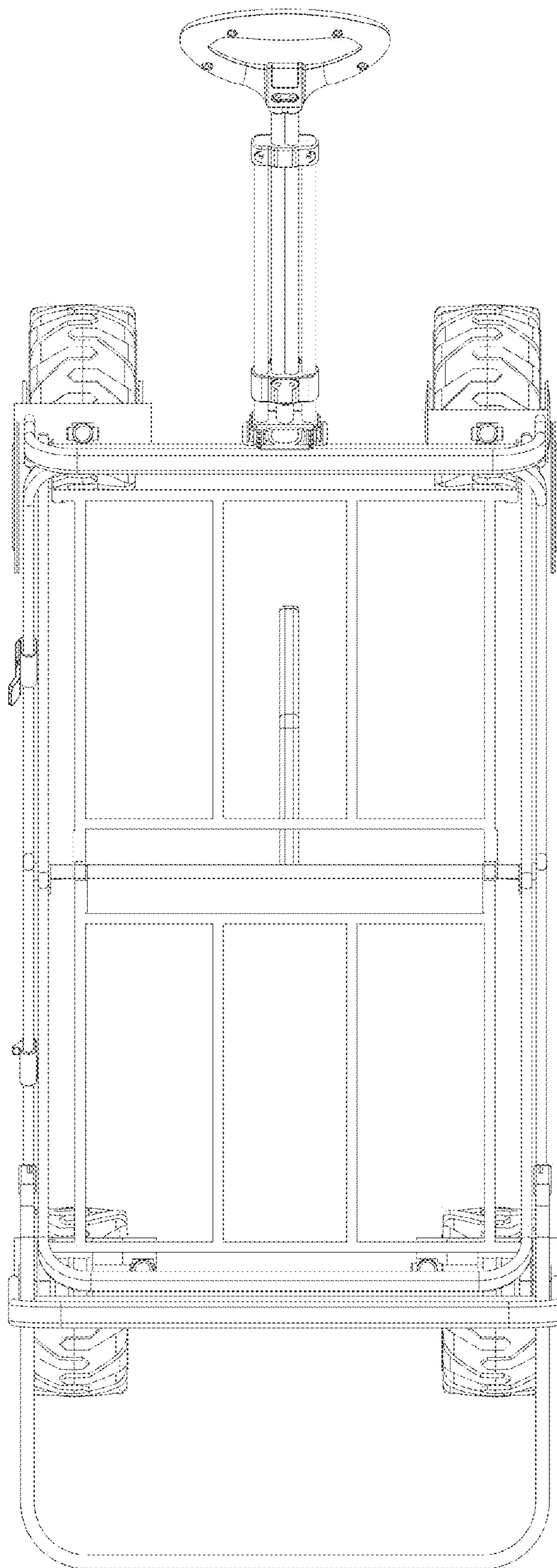


FIG. 1

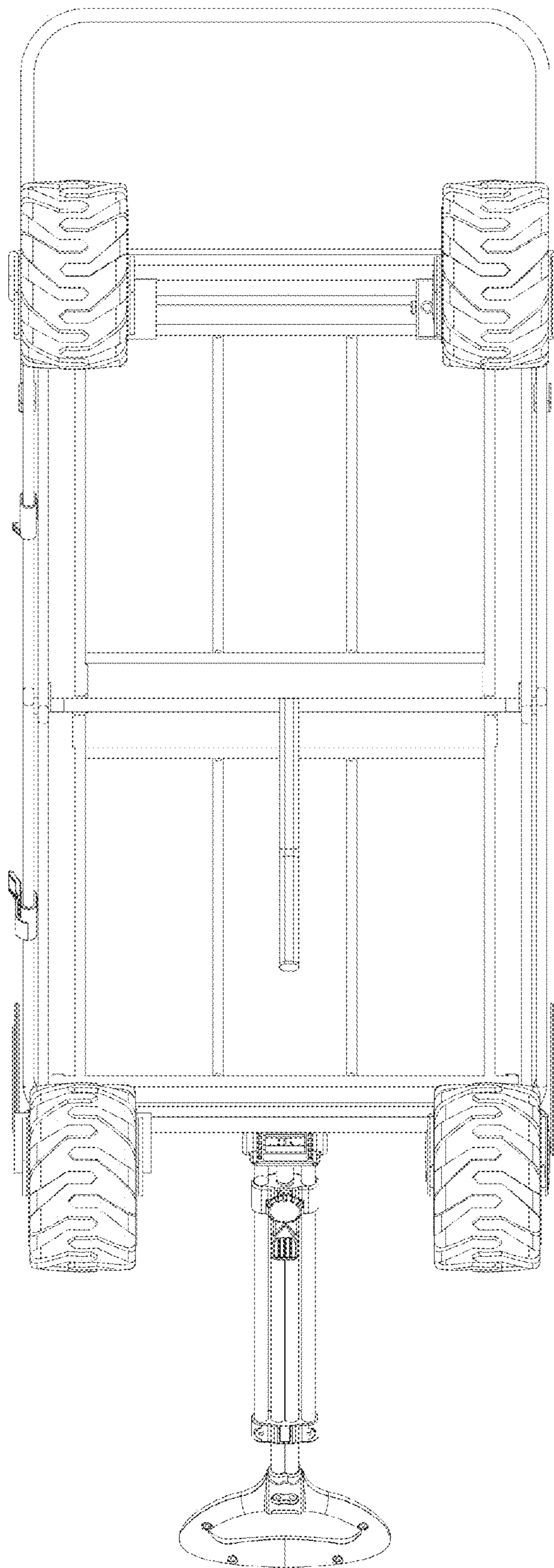


FIG. 2



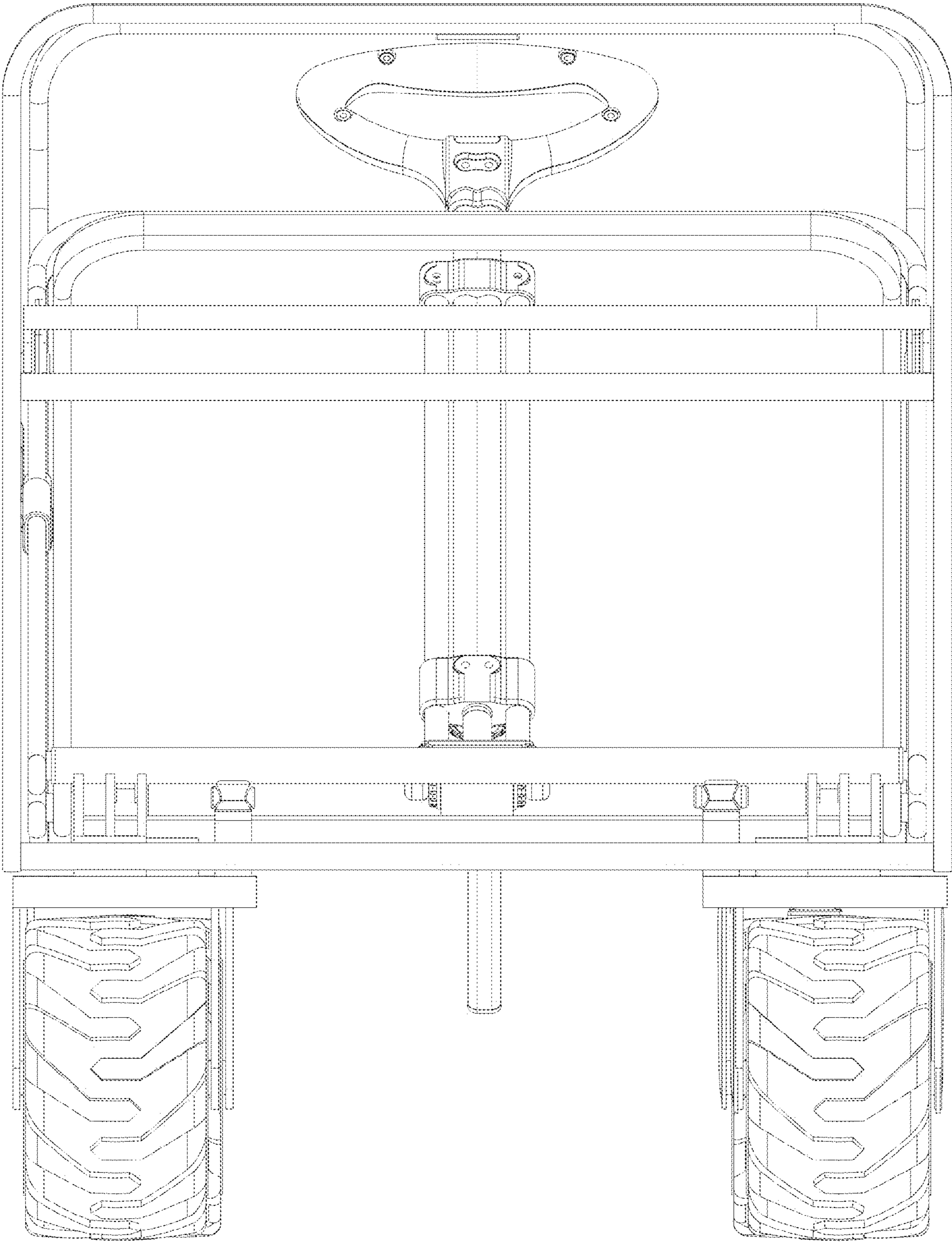


FIG. 3

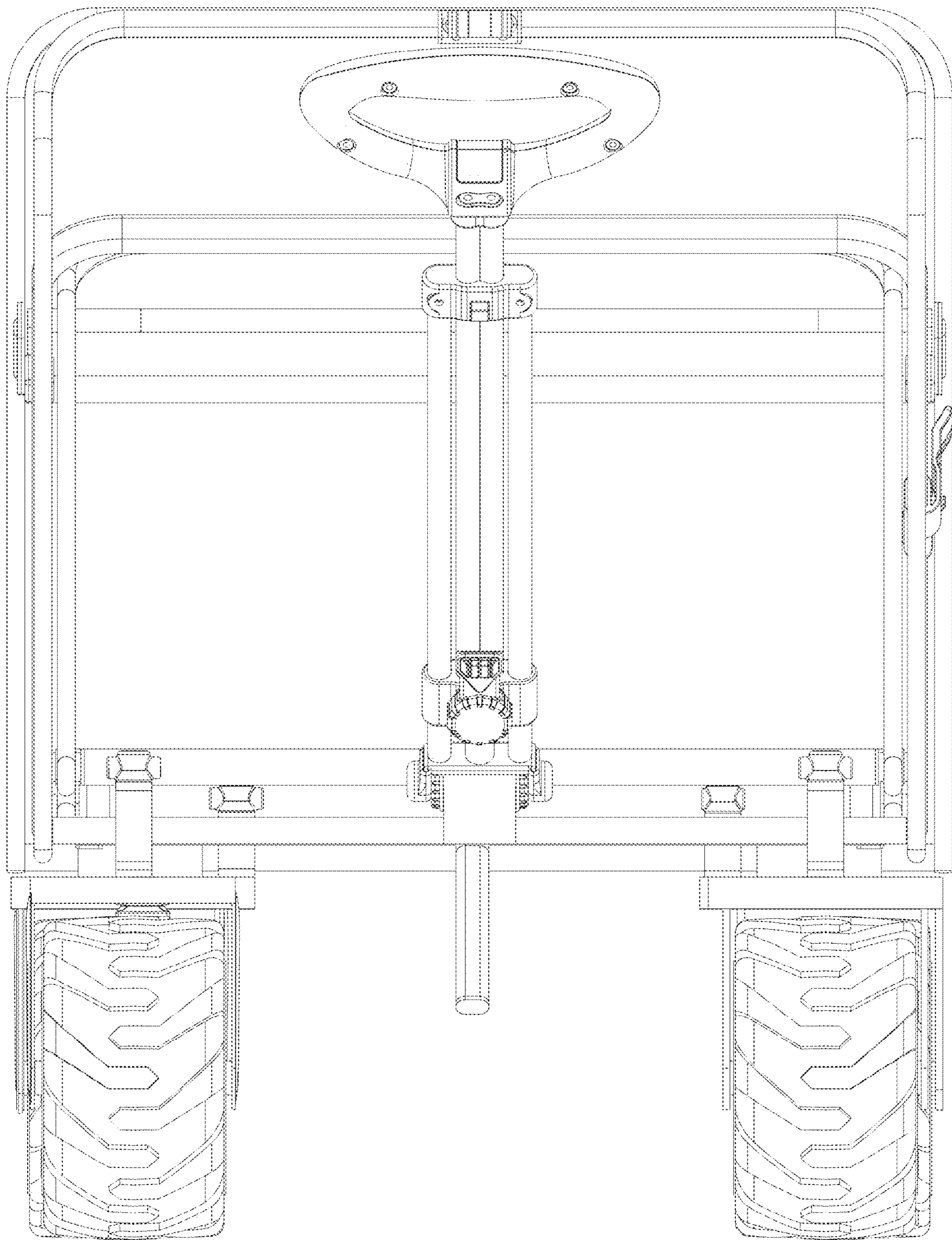


FIG. 4

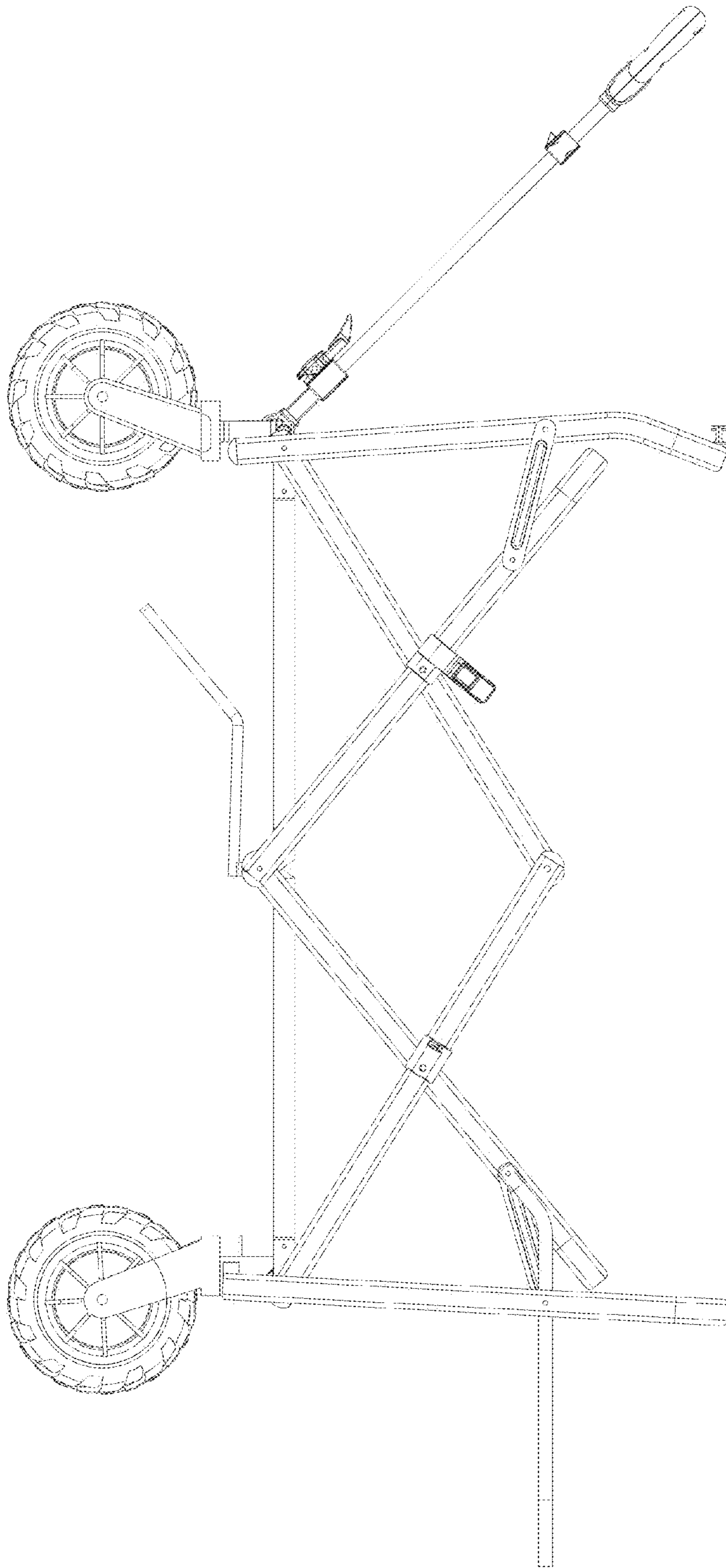


FIG. 5



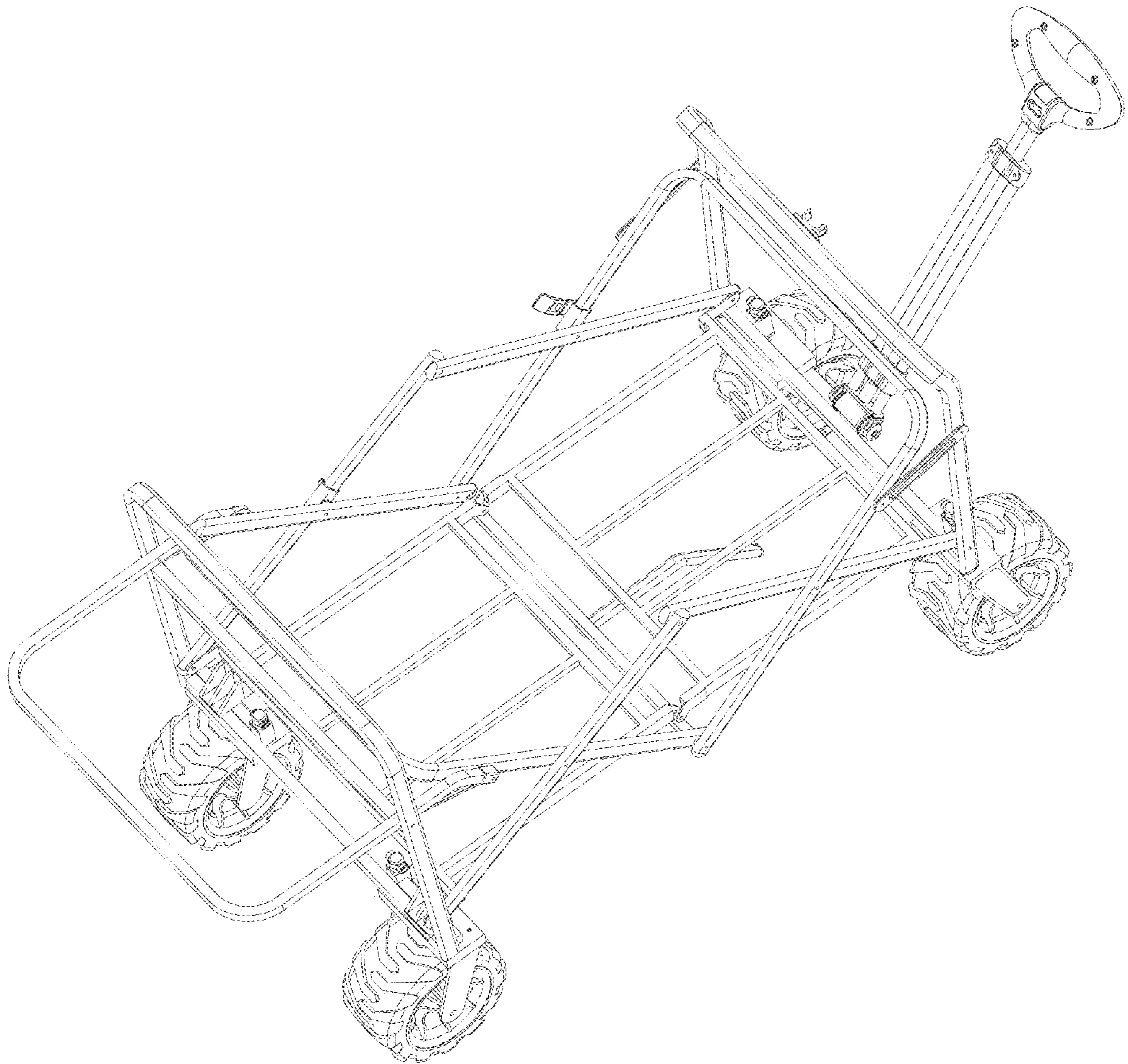


FIG. 6

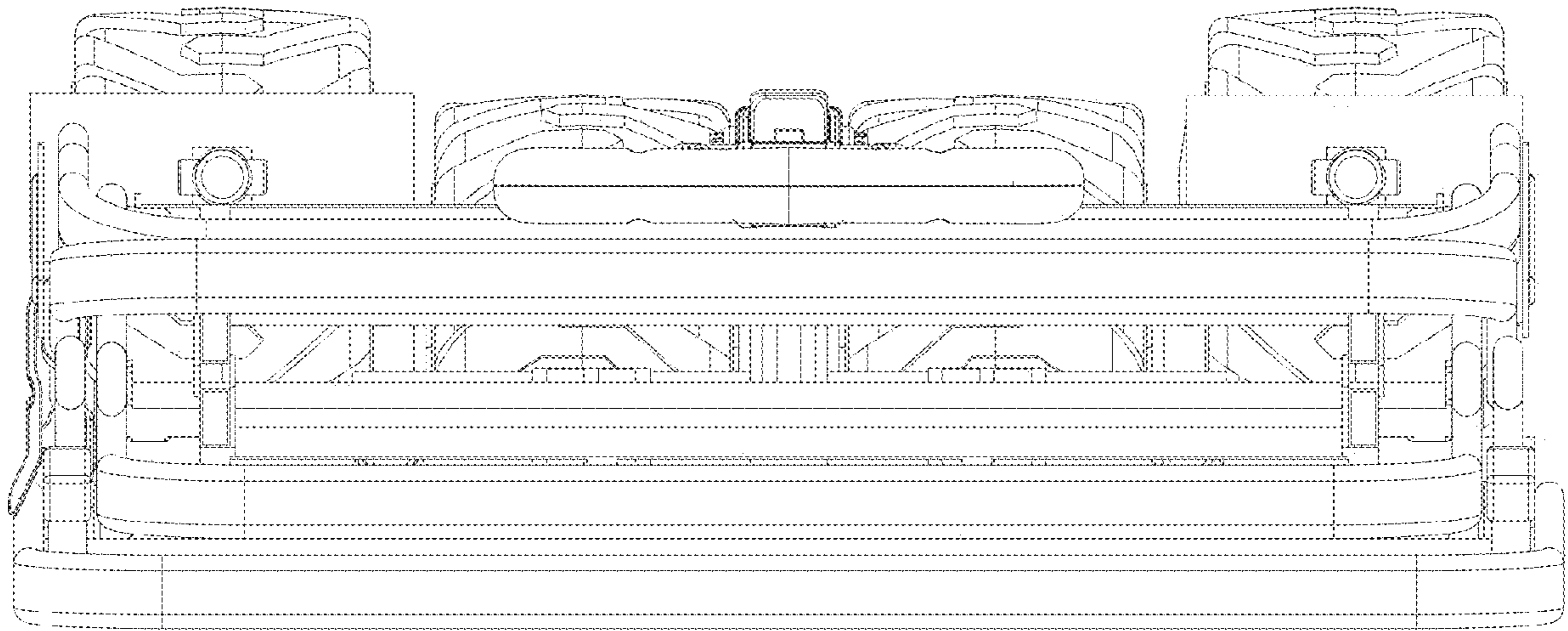


FIG. 7



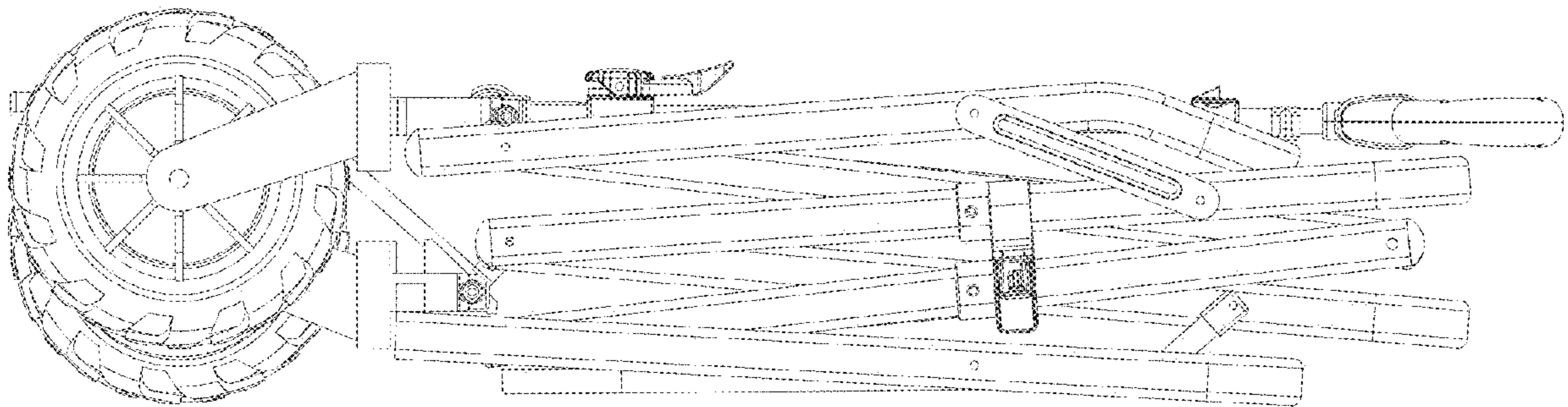


FIG. 8

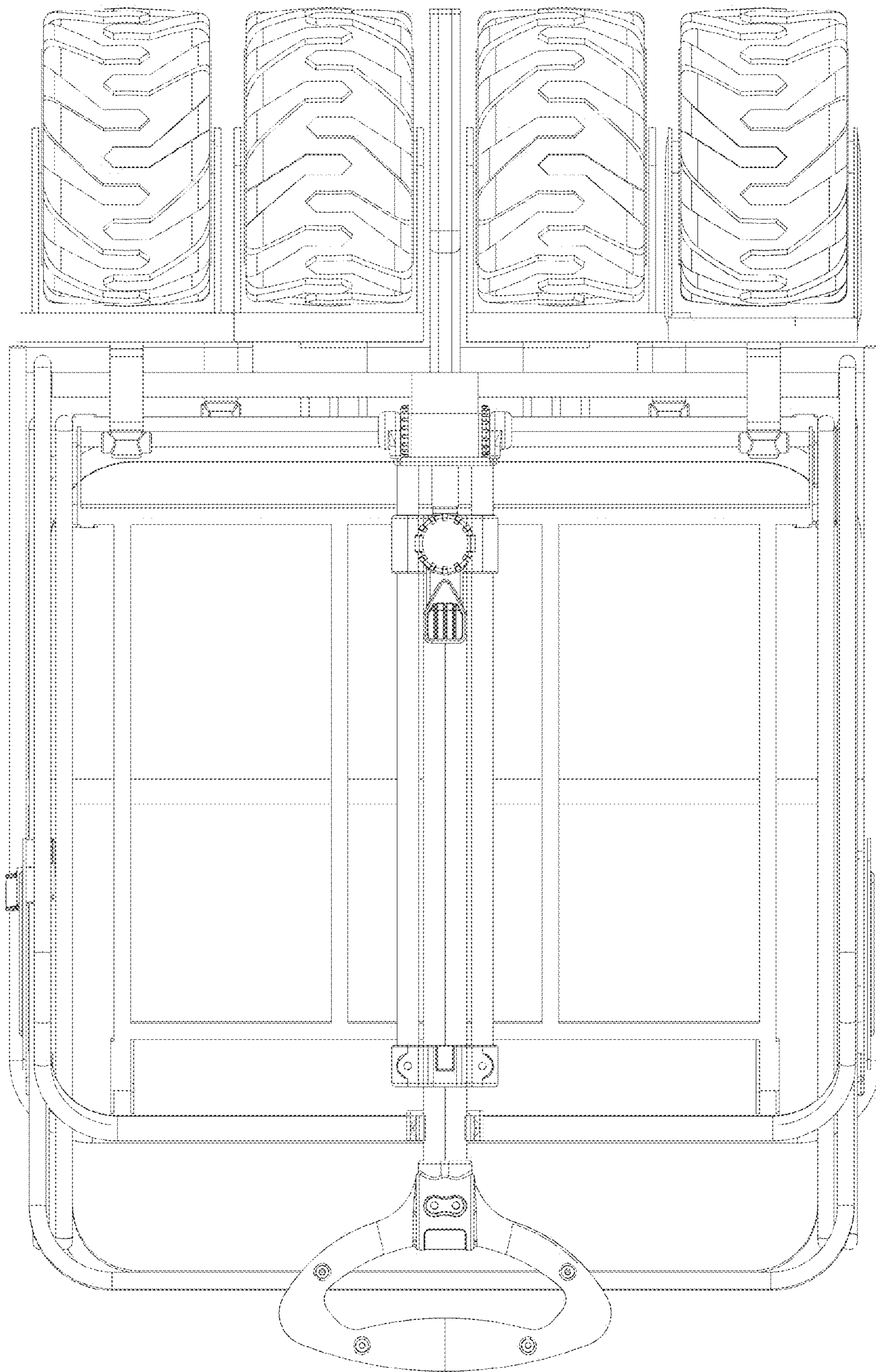


FIG. 9



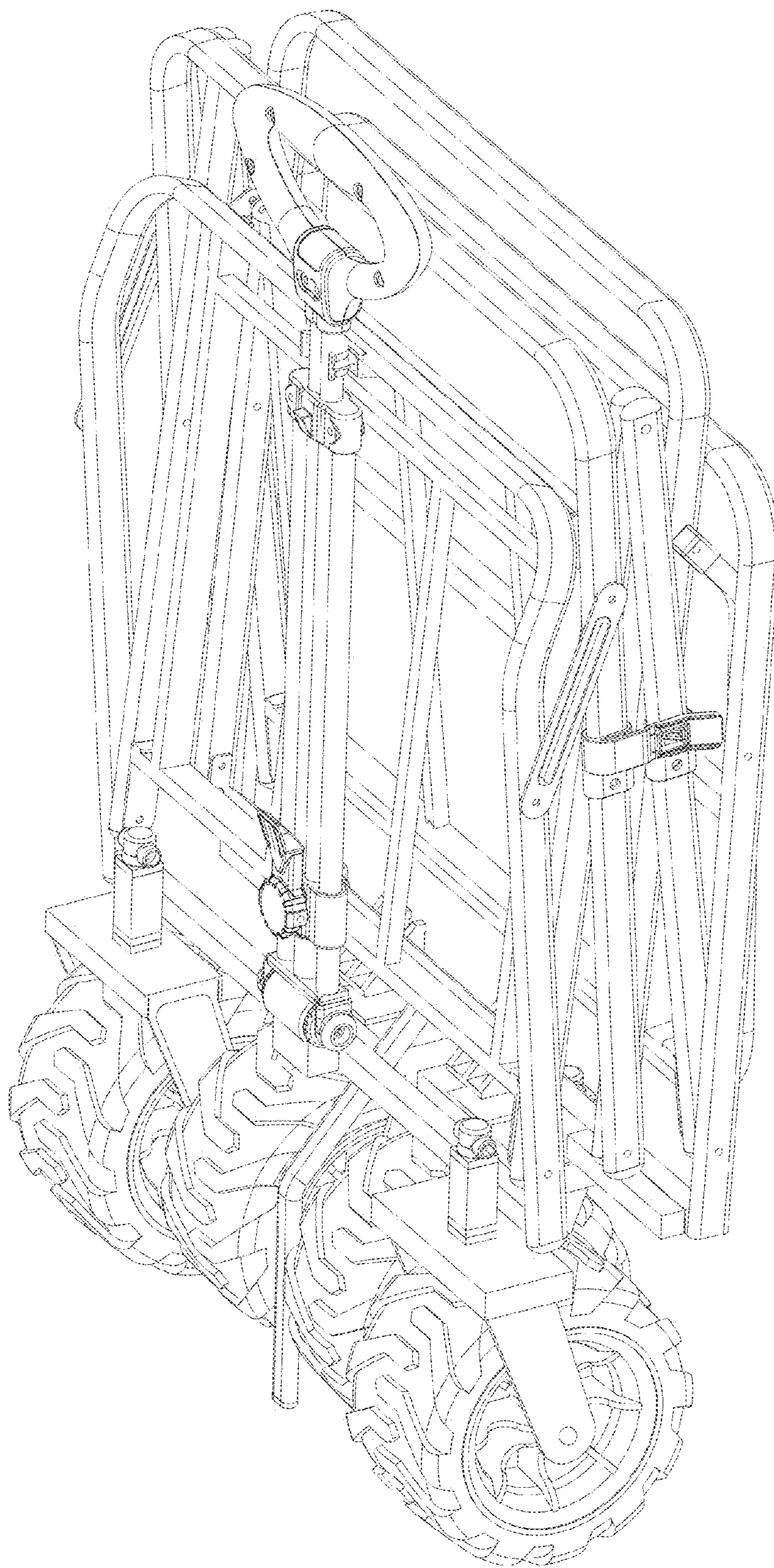


FIG. 10