



US00D926412S

(12) **United States Design Patent**
Park et al.

(10) **Patent No.:** **US D926,412 S**
(45) **Date of Patent:** **** Jul. 27, 2021**

(54) **HANGER FOR IRONING BOARD**
(71) Applicant: **LG ELECTRONICS INC.**, Seoul (KR)
(72) Inventors: **Kyutae Park**, Seoul (KR); **Jaecil Bae**, Seoul (KR); **Kyungah Lee**, Seoul (KR); **Hoil Jeon**, Seoul (KR); **Youngsoo Ha**, Seoul (KR)

(73) Assignee: **LG Electronics Inc.**, Seoul (KR)

(**) Term: **15 Years**

(21) Appl. No.: **29/724,742**

(22) Filed: **Feb. 19, 2020**

(30) **Foreign Application Priority Data**

Aug. 20, 2019 (KR) 30-2019-0039773

(51) **LOC (13) Cl.** **07-05**

(52) **U.S. Cl.**
USPC **D32/71**

(58) **Field of Classification Search**
USPC D32/73, 72, 71, 70, 69, 68, 35; 392/404; 38/97, 96, 93, 88, 77.9, 77.83, 77.82, 38/77.81, 77.8, 77.7, 77.6, 77.5, 77.3, 38/77.1; 219/251, 245
CPC D06F 75/34; D06F 75/08; D06F 75/38; D06F 75/00; F22B 27/14; B08B 3/006
See application file for complete search history.

(56) **References Cited**

U.S. PATENT DOCUMENTS

1,325,308 A * 12/1919 Riddle A47G 25/72 38/71
2,241,997 A * 5/1941 Ivey, Sr. D06F 71/36 38/15
D209,697 S * 12/1967 Durik D32/68
3,961,710 A * 6/1976 Creamer A47G 25/1464 211/49.1

4,730,731 A * 3/1988 Allison B65D 50/045 206/1.5
5,014,453 A * 5/1991 Gratsch D06F 71/00 38/14
5,743,417 A * 4/1998 Mathis D06F 81/00 211/119
7,197,857 B1 * 4/2007 Alvarado E04B 1/34342 52/169.12
8,578,639 B2 * 11/2013 Hurd D06F 71/22 38/13
D702,549 S * 4/2014 Meyer D9/434
9,758,922 B2 * 9/2017 Uchikoshi D06F 71/36
D815,440 S * 4/2018 van der Maas D6/315

* cited by examiner

Primary Examiner — Austin Murphy

(74) *Attorney, Agent, or Firm* — Birch, Stewart, Kolasch & Birch, LLP

(57) **CLAIM**

We claim the ornamental design for a hanger for ironing board, as shown and described.

DESCRIPTION

FIG. 1 is a perspective view of a hanger for ironing board showing the new design;
FIG. 2 is a front elevation view thereof;
FIG. 3 is a rear elevation view thereof;
FIG. 4 is a left-side elevation view thereof;
FIG. 5 is a right-side elevation view thereof;
FIG. 6 is a top plan view thereof;
FIG. 7 is a bottom plan view thereof;
FIG. 8 is a partial enlarged view showing a state of use thereof;
FIG. 9 is a partial enlarged view showing another state of use thereof; and,
FIG. 10 is a partial enlarged view showing the other state of use thereof.
Broken lines illustrate environmental condition only and form no part of the claimed design.

1 Claim, 10 Drawing Sheets

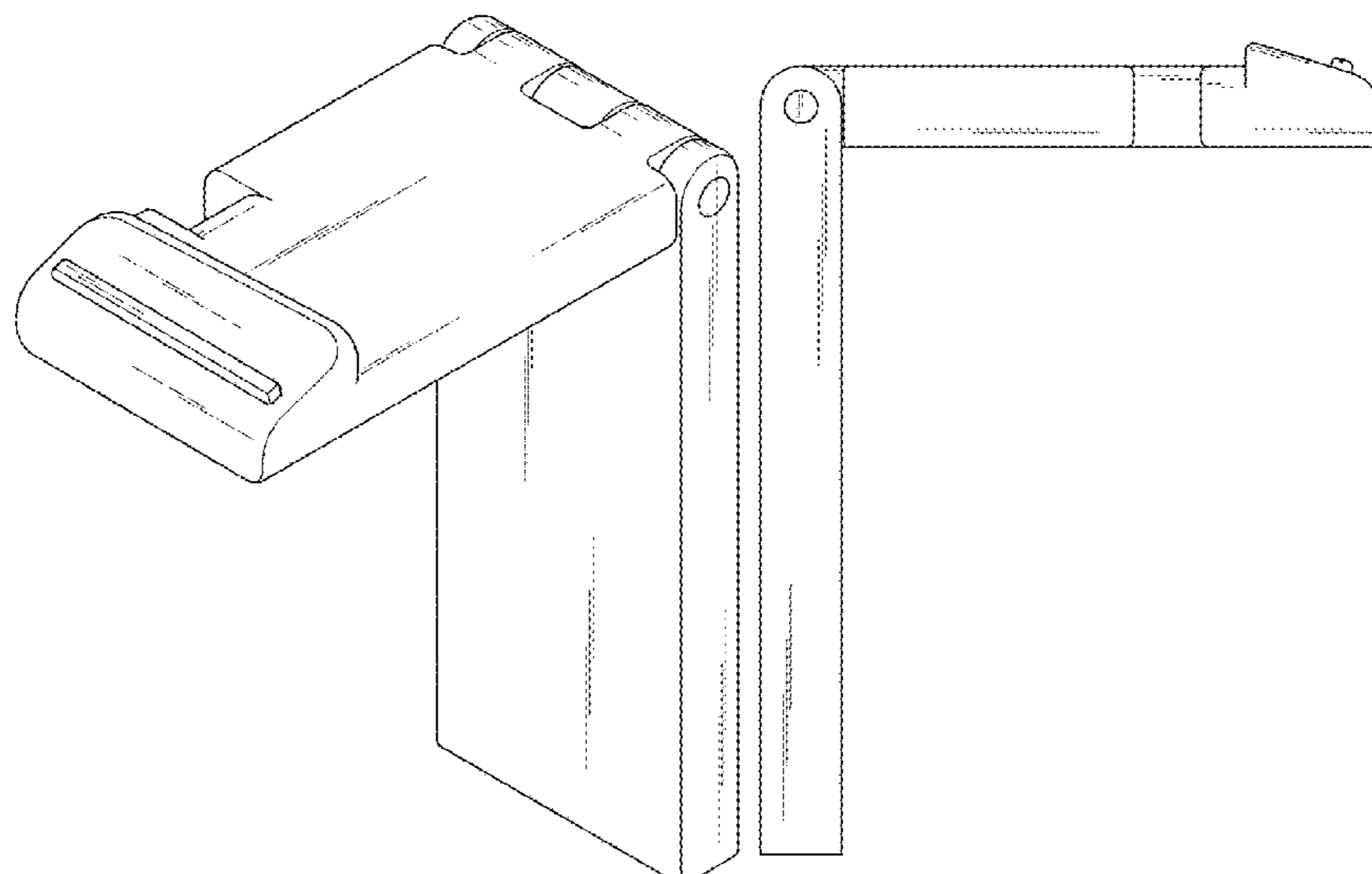


FIG. 1

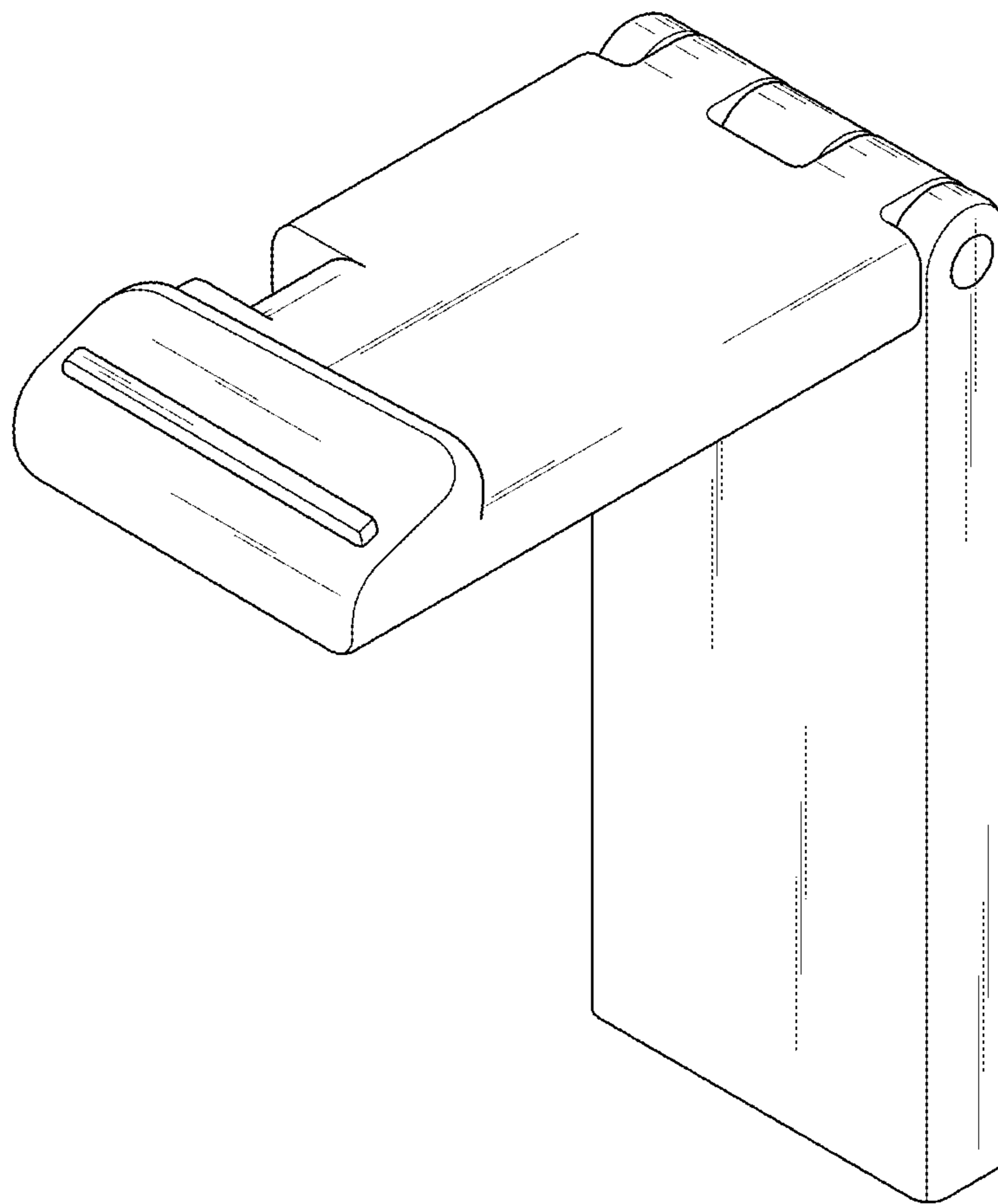


FIG. 2

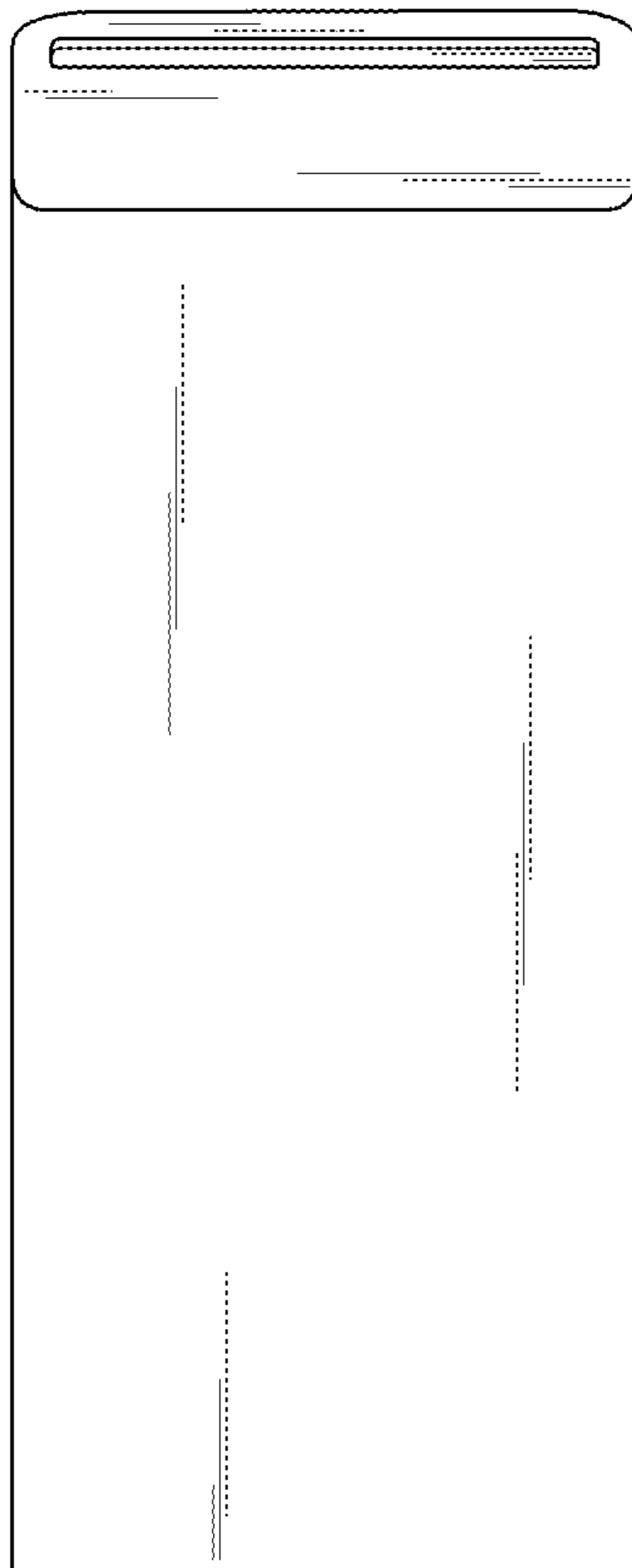


FIG. 3

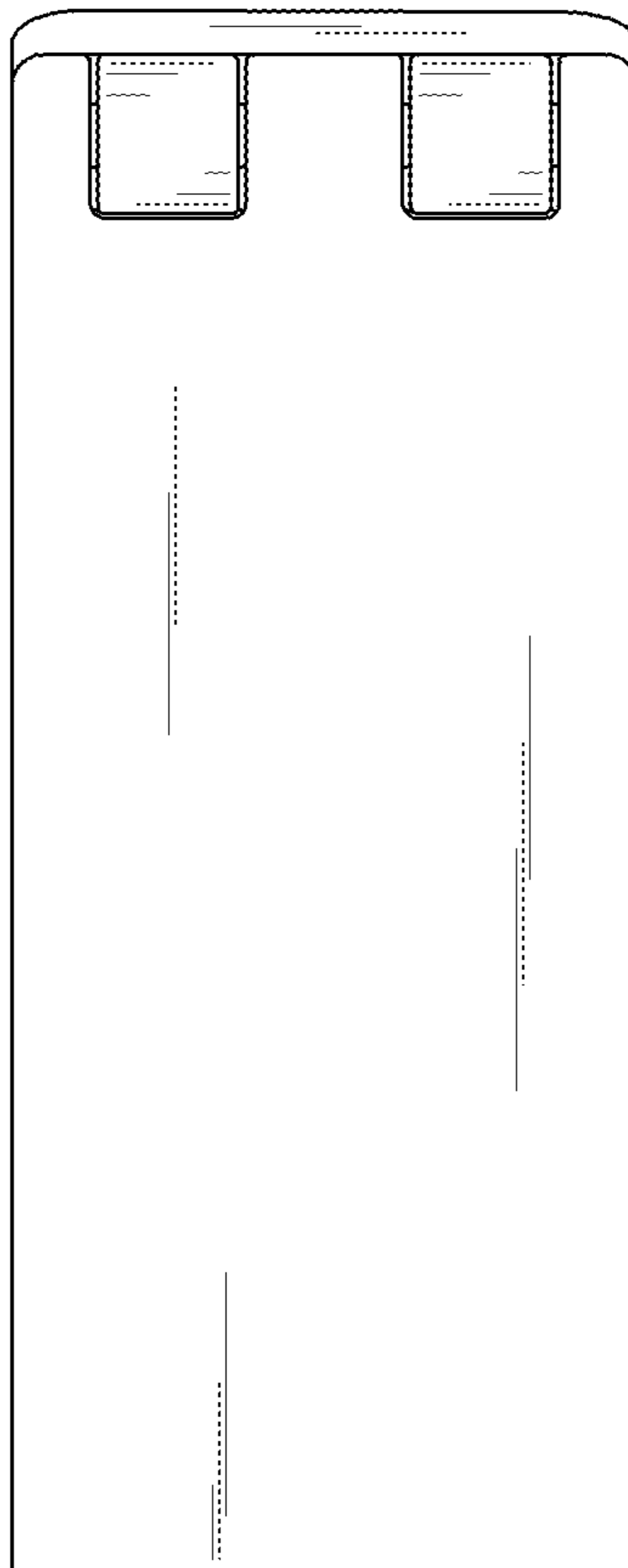


FIG. 4

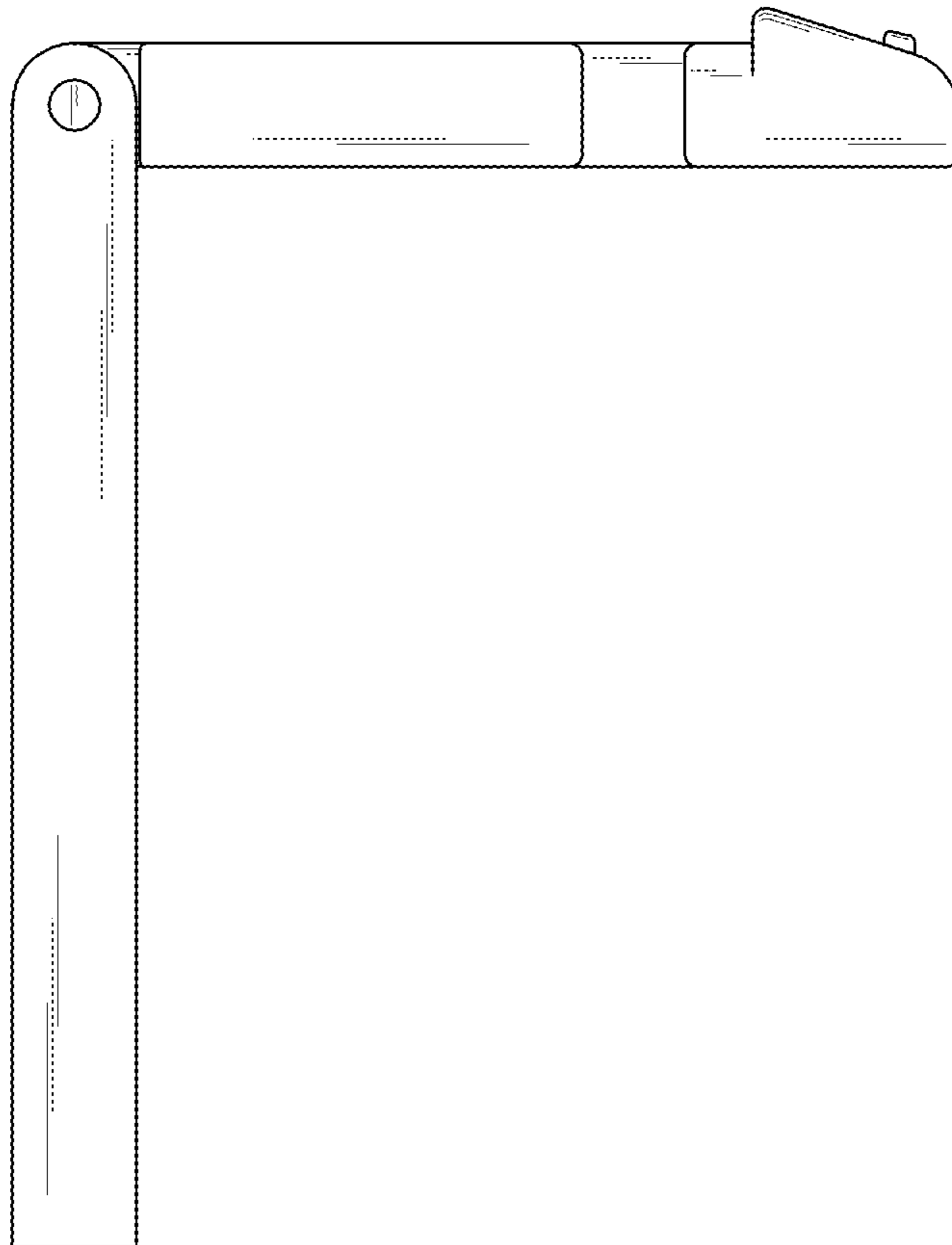


FIG. 5

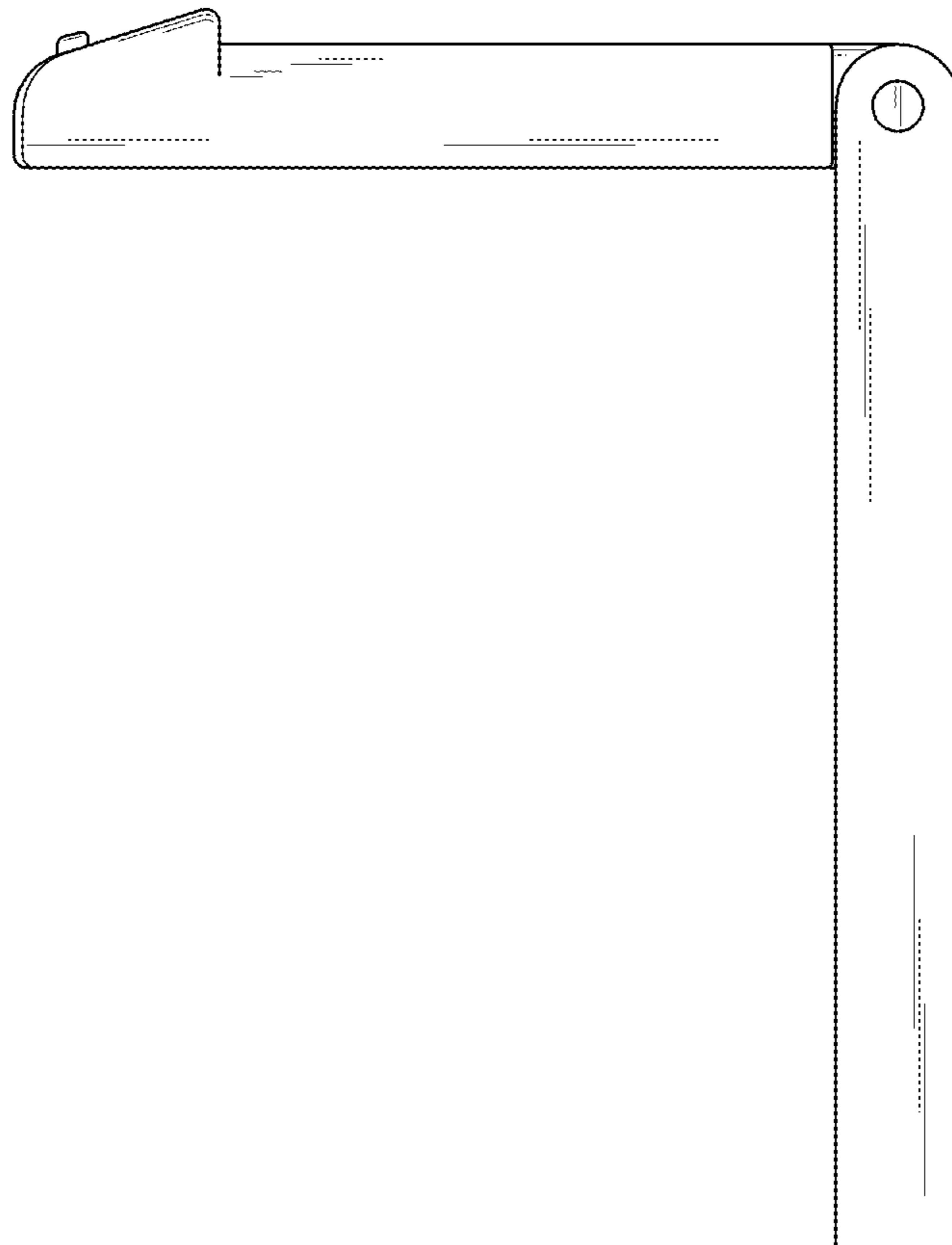


FIG. 6

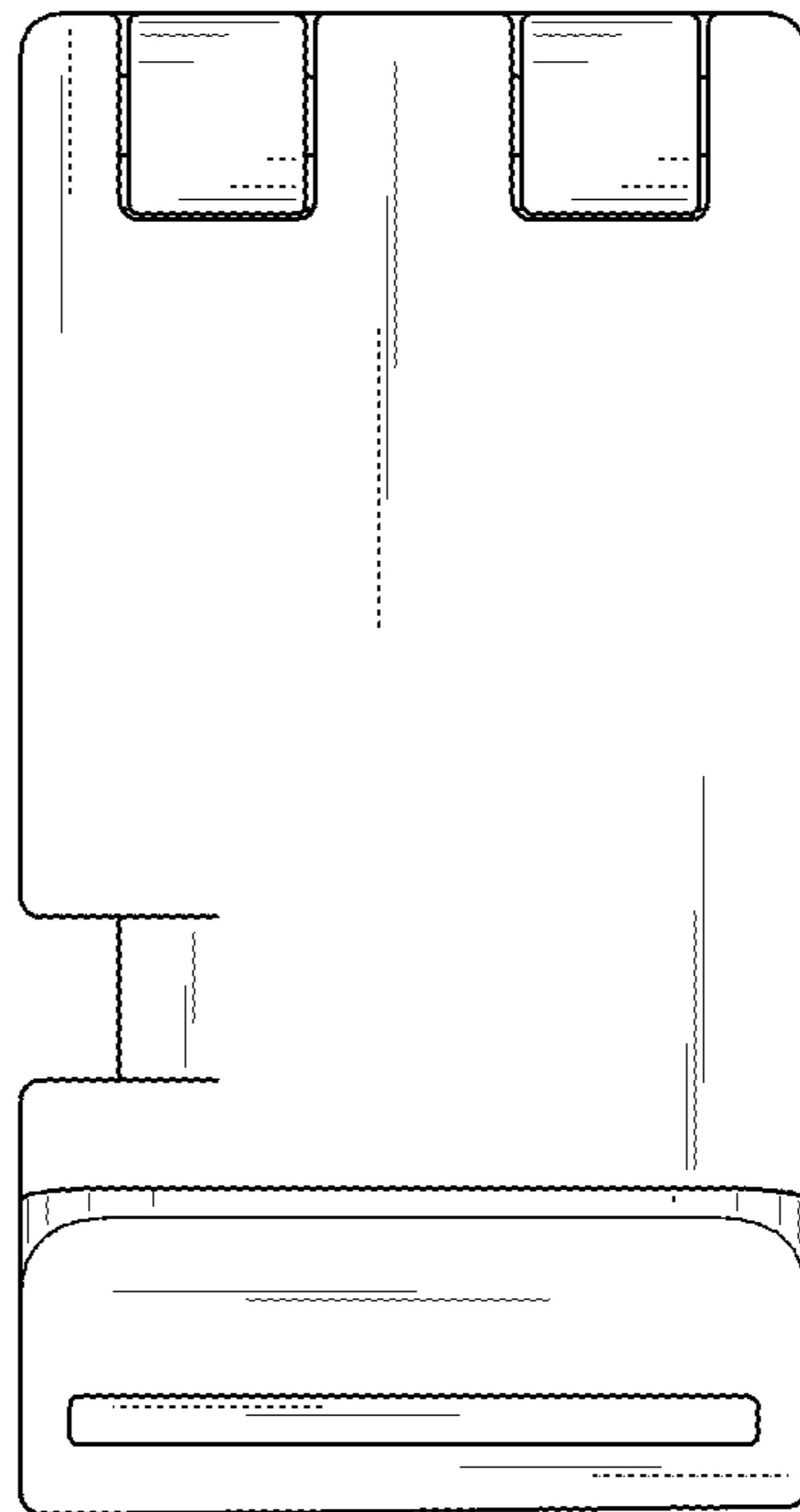


FIG. 7

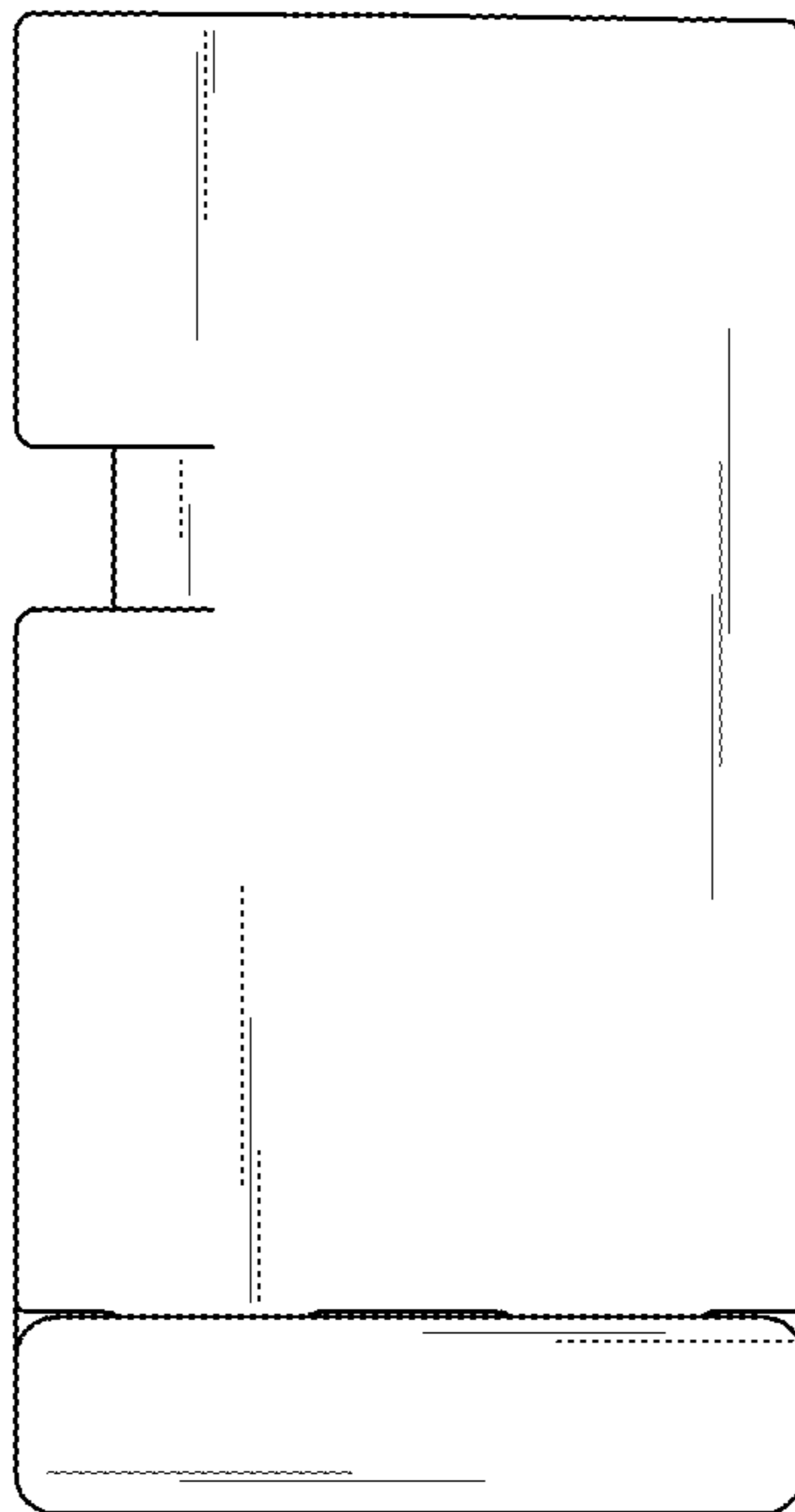


FIG. 8

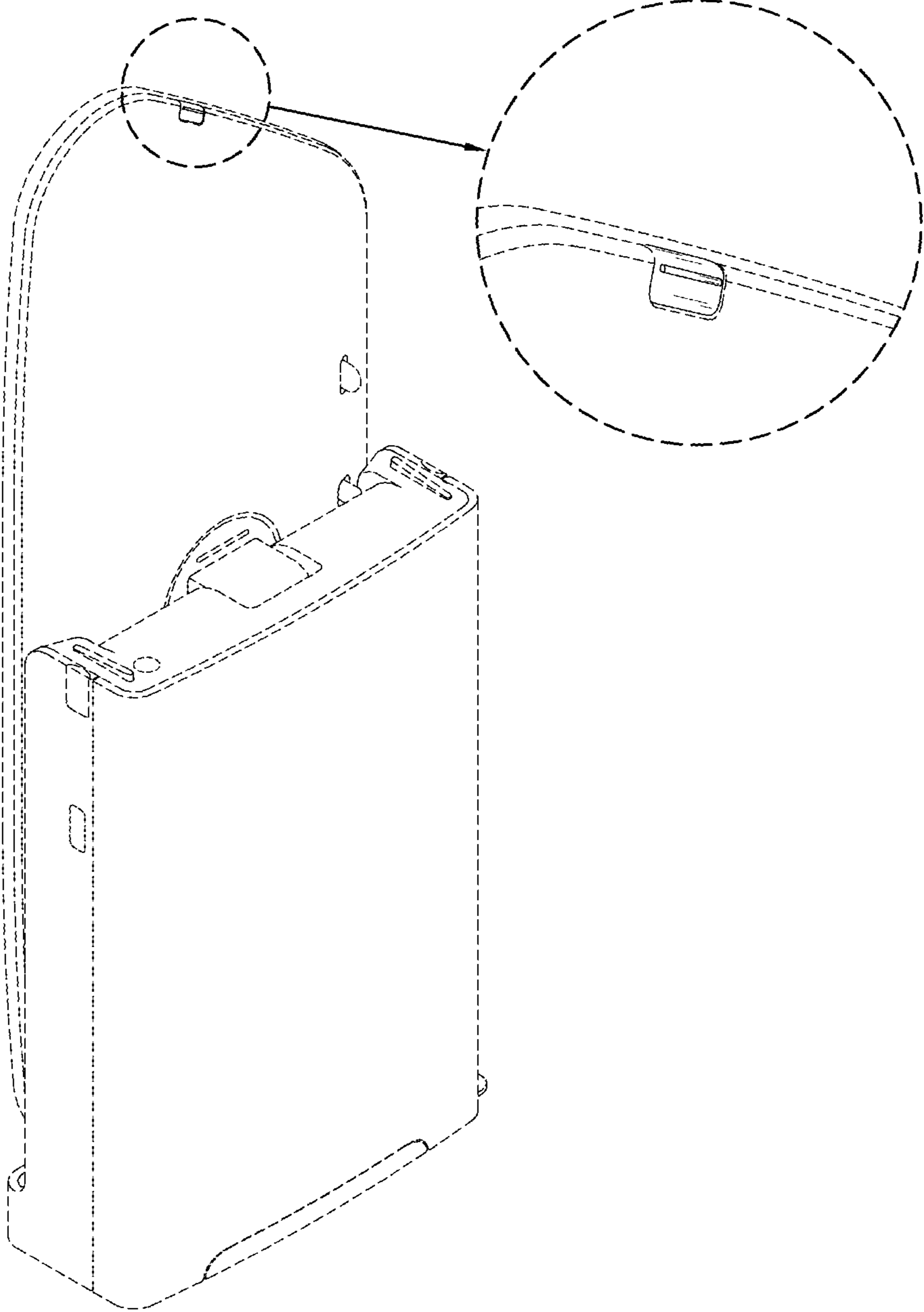


FIG. 9

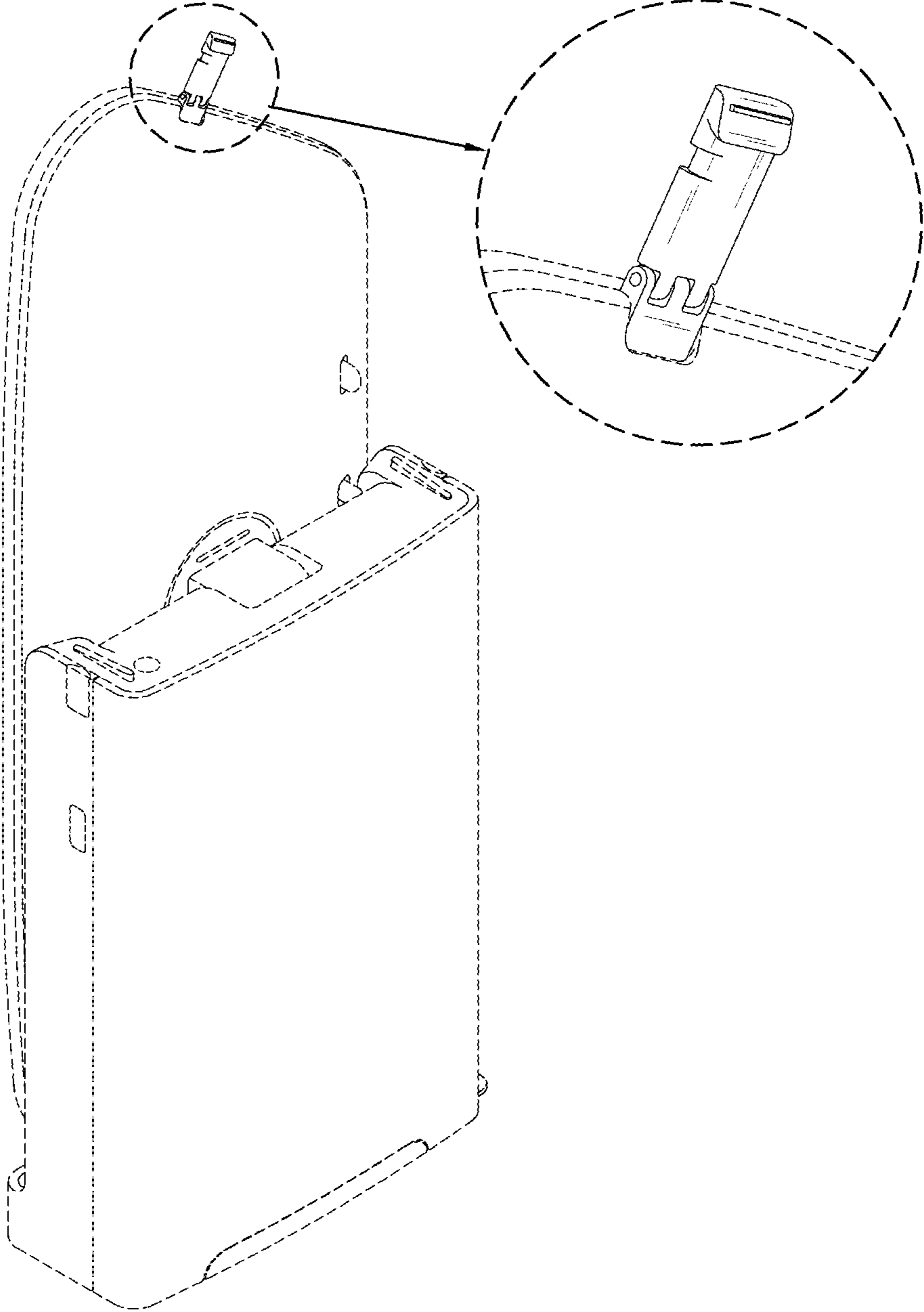


FIG. 10

