



US00D926411S

(12) **United States Design Patent**  
**Bae et al.**

(10) **Patent No.:** **US D926,411 S**  
(45) **Date of Patent:** **\*\* Jul. 27, 2021**

(54) **STEAM PRESS**  
(71) Applicant: **LG ELECTRONICS INC.**, Seoul (KR)  
(72) Inventors: **Jaeil Bae**, Seoul (KR); **Kyutae Park**, Seoul (KR); **Kyungah Lee**, Seoul (KR); **Hoil Jeon**, Seoul (KR); **Youngsoo Ha**, Seoul (KR)  
(73) Assignee: **LG Electronics Inc.**, Seoul (KR)  
(\*\*) Term: **15 Years**  
(21) Appl. No.: **29/724,634**  
(22) Filed: **Feb. 18, 2020**

(30) **Foreign Application Priority Data**  
Aug. 19, 2019 (KR) ..... 30-2019-0039556  
(51) **LOC (13) Cl.** ..... **07-05**  
(52) **U.S. Cl.**  
USPC ..... **D32/70**  
(58) **Field of Classification Search**  
USPC ..... D32/73, 72, 71, 70, 69, 68, 35; 392/404;  
38/97, 96, 93, 88, 77.9, 77.83, 77.82,  
38/77.81, 77.8, 77.7, 77.6, 77.5, 77.3,  
38/77.1; 219/251, 245  
CPC ..... D06F 75/34; D06F 75/08; D06F 75/38;  
D06F 75/00; B08B 3/006  
See application file for complete search history.

(56) **References Cited**  
**U.S. PATENT DOCUMENTS**  
1,175,700 A \* 3/1916 Brunstad ..... A47G 25/72  
38/70  
1,325,308 A \* 12/1919 Riddle ..... A47G 25/72  
38/71

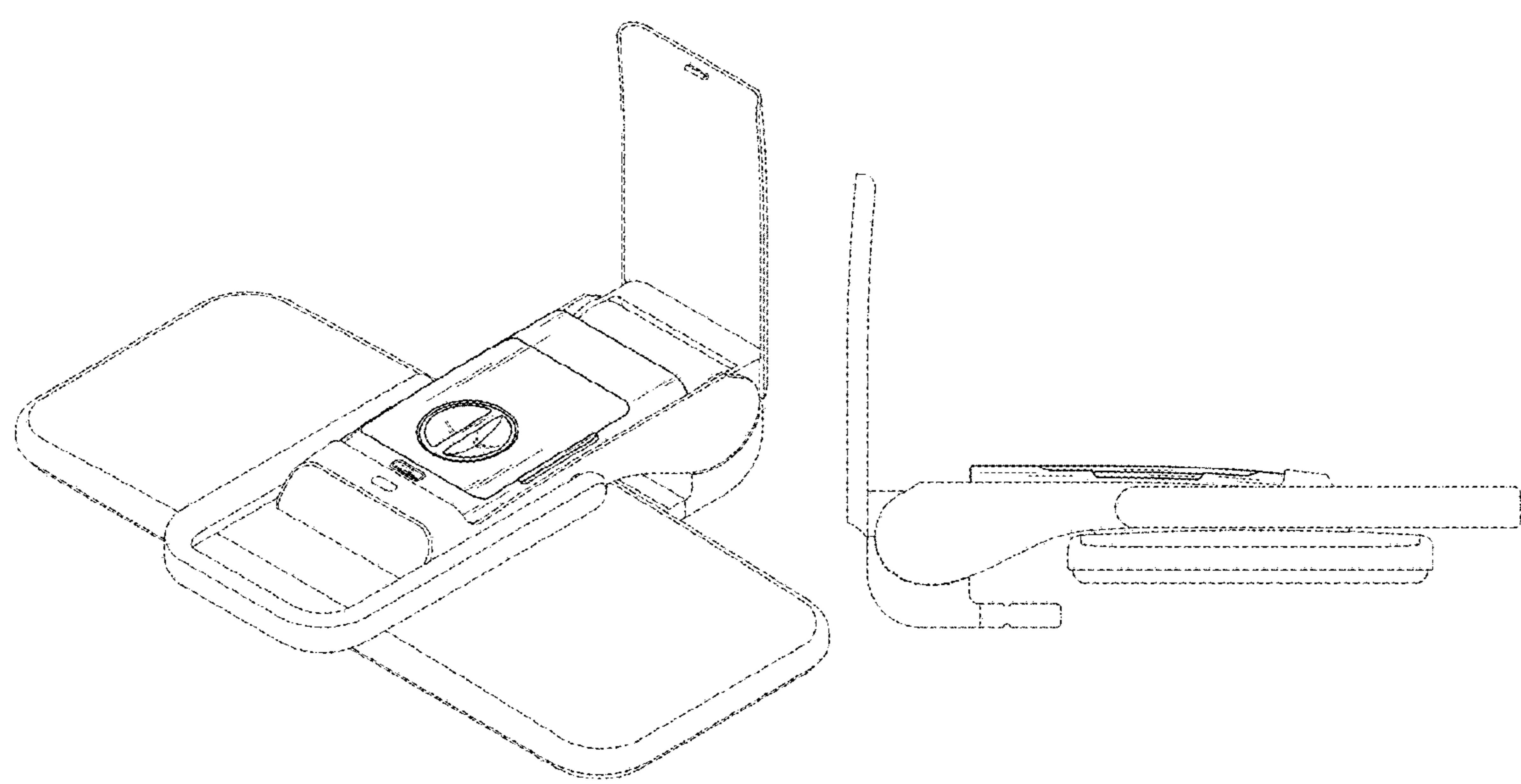
1,657,647 A \* 1/1928 Strub ..... A47G 25/78  
38/71  
1,678,464 A \* 7/1928 Diebold ..... D06F 71/026  
38/36  
1,683,255 A \* 9/1928 Mortenson ..... A47G 25/78  
38/71  
1,700,763 A \* 2/1929 Hodges ..... A47G 25/78  
223/57  
1,950,498 A \* 3/1934 Lehnen ..... D06F 71/18  
38/71  
2,241,997 A \* 5/1941 Ivey, Sr. .... D06F 71/36  
38/15  
2,612,258 A \* 9/1952 Baur ..... A47G 25/78  
206/292  
2,629,948 A \* 2/1953 Bently ..... A47G 25/78  
38/71  
D209,697 S \* 12/1967 Durik ..... D32/68  
D293,952 S \* 1/1988 Hsu ..... D32/69  
(Continued)

*Primary Examiner* — Austin Murphy  
(74) *Attorney, Agent, or Firm* — Birch, Stewart, Kolasch & Birch, LLP

(57) **CLAIM**  
We claim the ornamental design for a steam press, as shown and described.

**DESCRIPTION**  
FIG. 1 is a perspective view of a steam press showing the new design;  
FIG. 2 is a front elevation view thereof;  
FIG. 3 is a rear elevation view thereof;  
FIG. 4 is a left-side elevation view thereof;  
FIG. 5 is a right-side elevation view thereof;  
FIG. 6 is a top plan view thereof;  
FIG. 7 is a bottom plan view thereof;  
FIG. 8 is a perspective showing a state of use thereof; and,  
FIG. 9 is a perspective showing another state of use thereof.  
Broken lines illustrate environmental condition only and form no part of the claimed design.

**1 Claim, 9 Drawing Sheets**



(56)

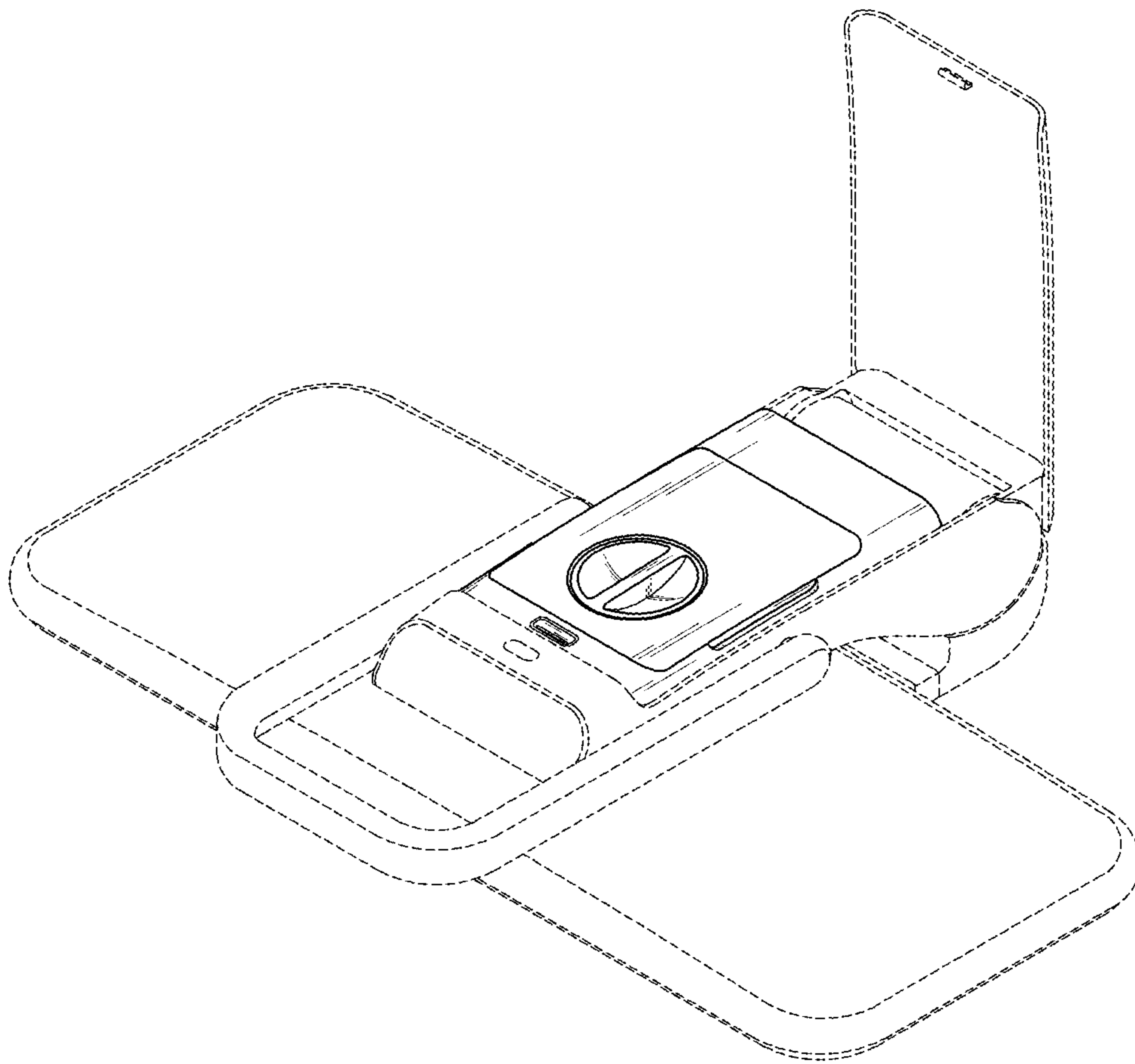
**References Cited**

U.S. PATENT DOCUMENTS

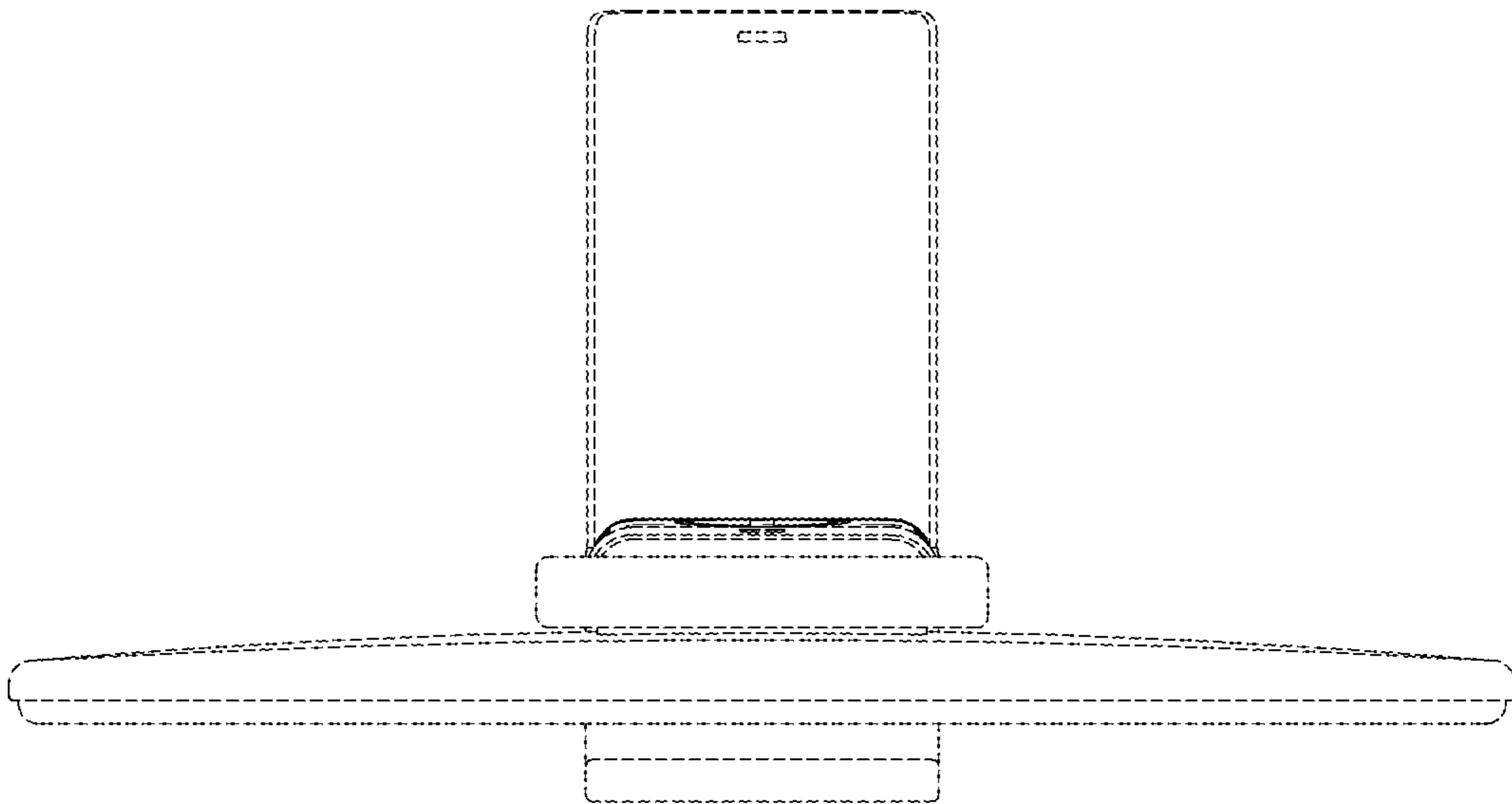
4,730,731 A \* 3/1988 Allison ..... B65D 50/045  
206/1.5  
5,014,453 A \* 5/1991 Gratsch ..... D06F 71/00  
38/14  
5,299,372 A \* 4/1994 Kelly ..... D06F 71/18  
38/36  
D728,885 S \* 5/2015 Dierker ..... D32/70  
D732,774 S \* 6/2015 Chung ..... D32/25  
9,758,922 B2 \* 9/2017 Uchikoshi ..... D06F 71/36

\* cited by examiner

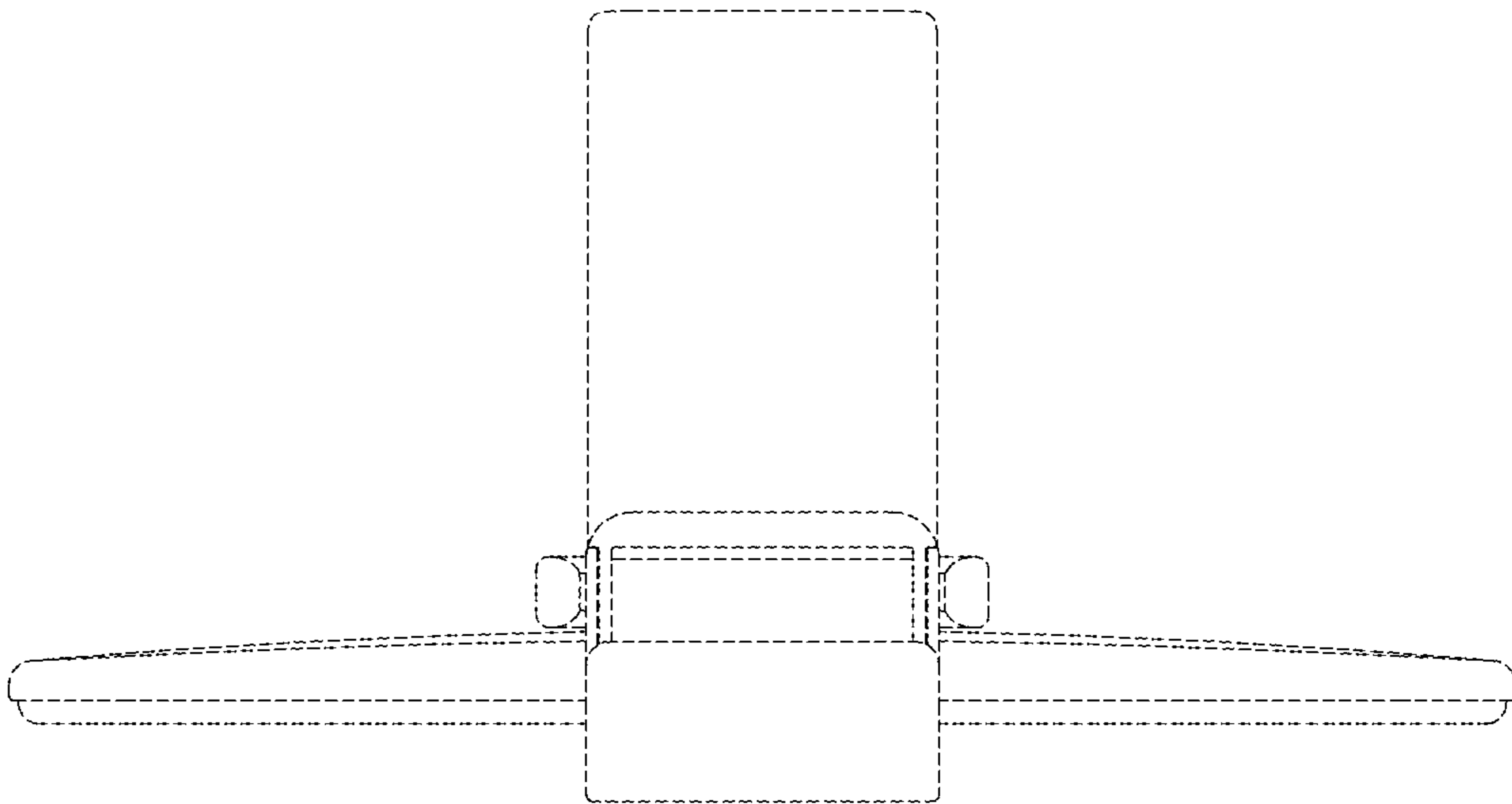
*FIG. 1*



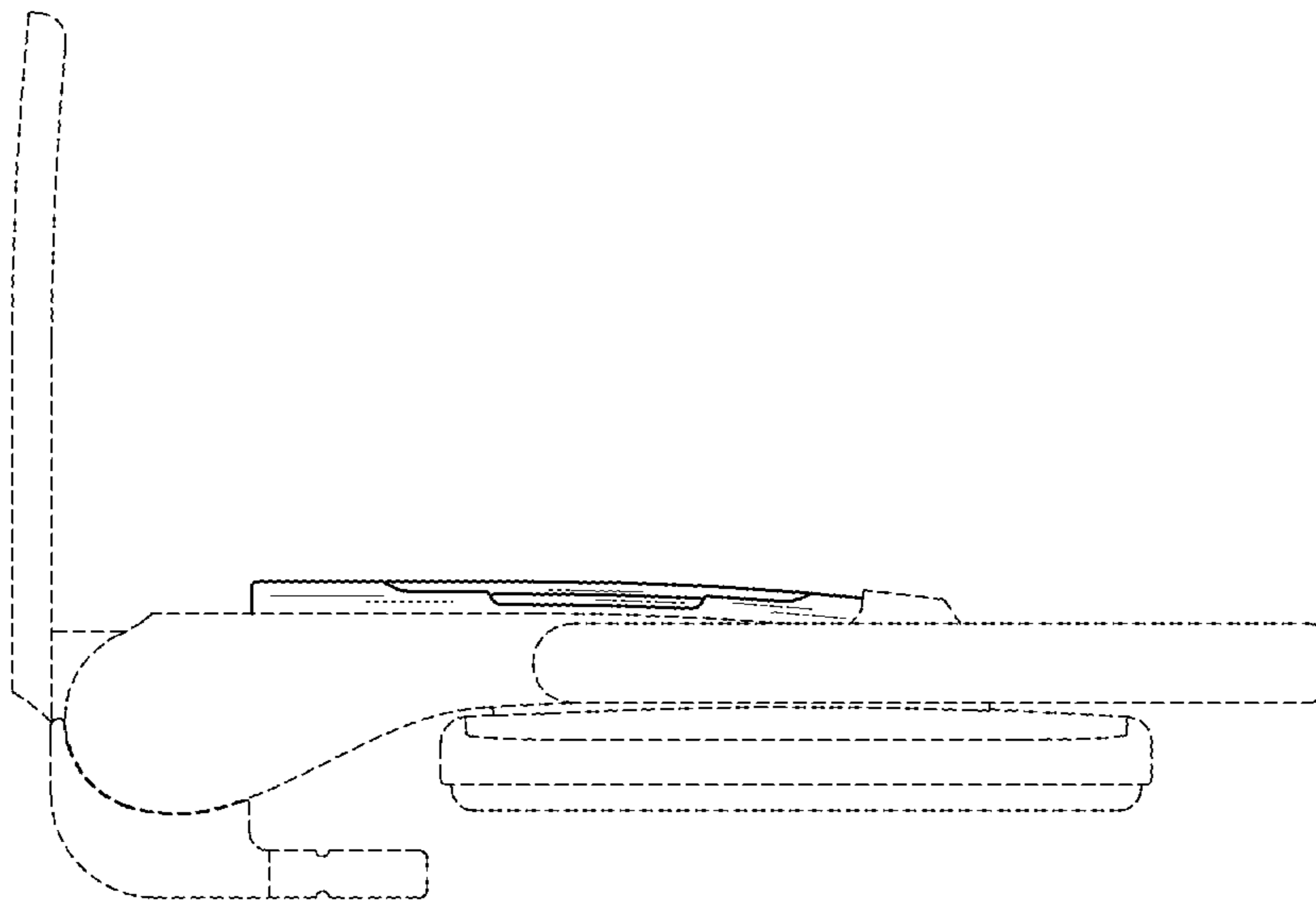
*FIG. 2*



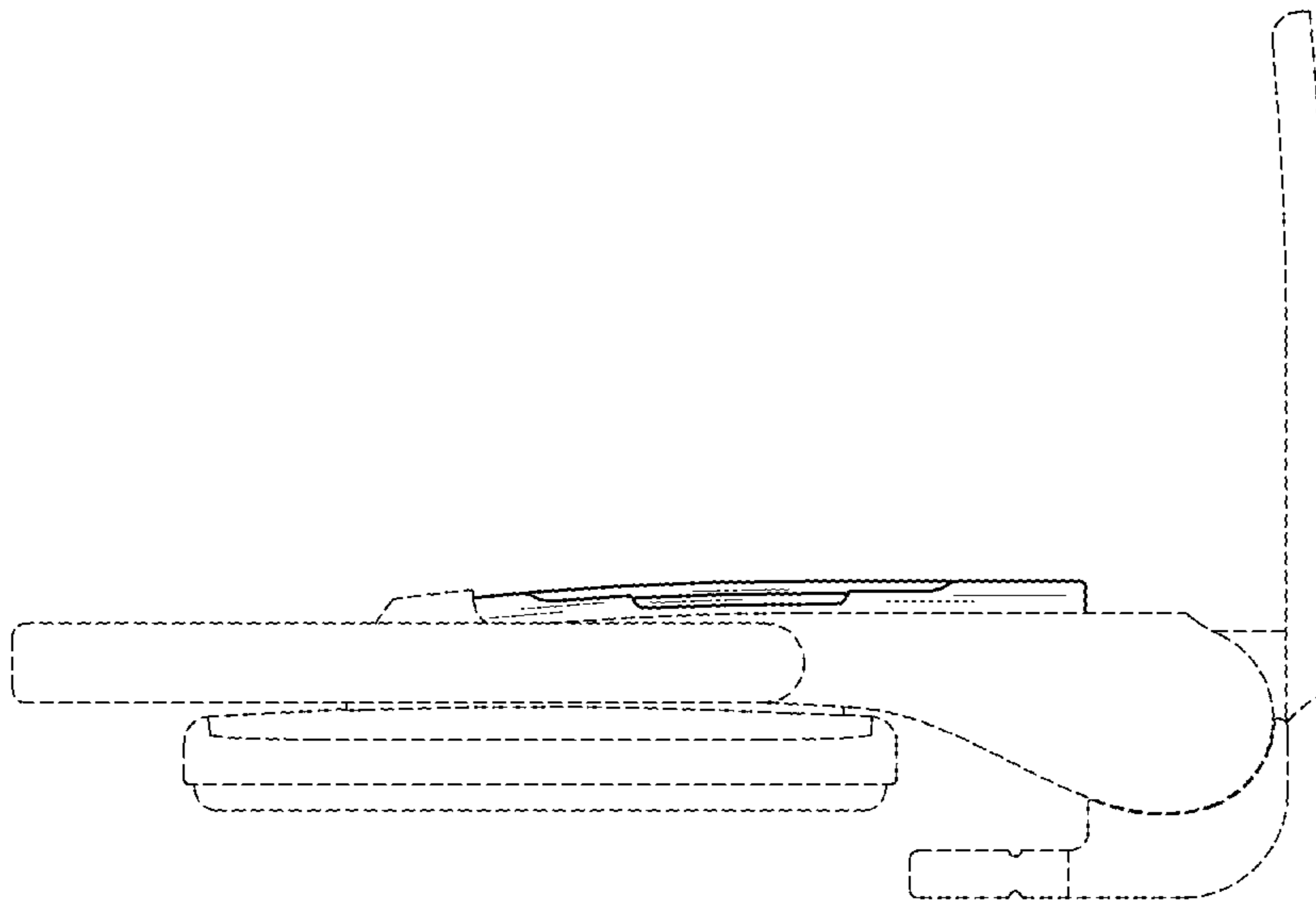
*FIG. 3*



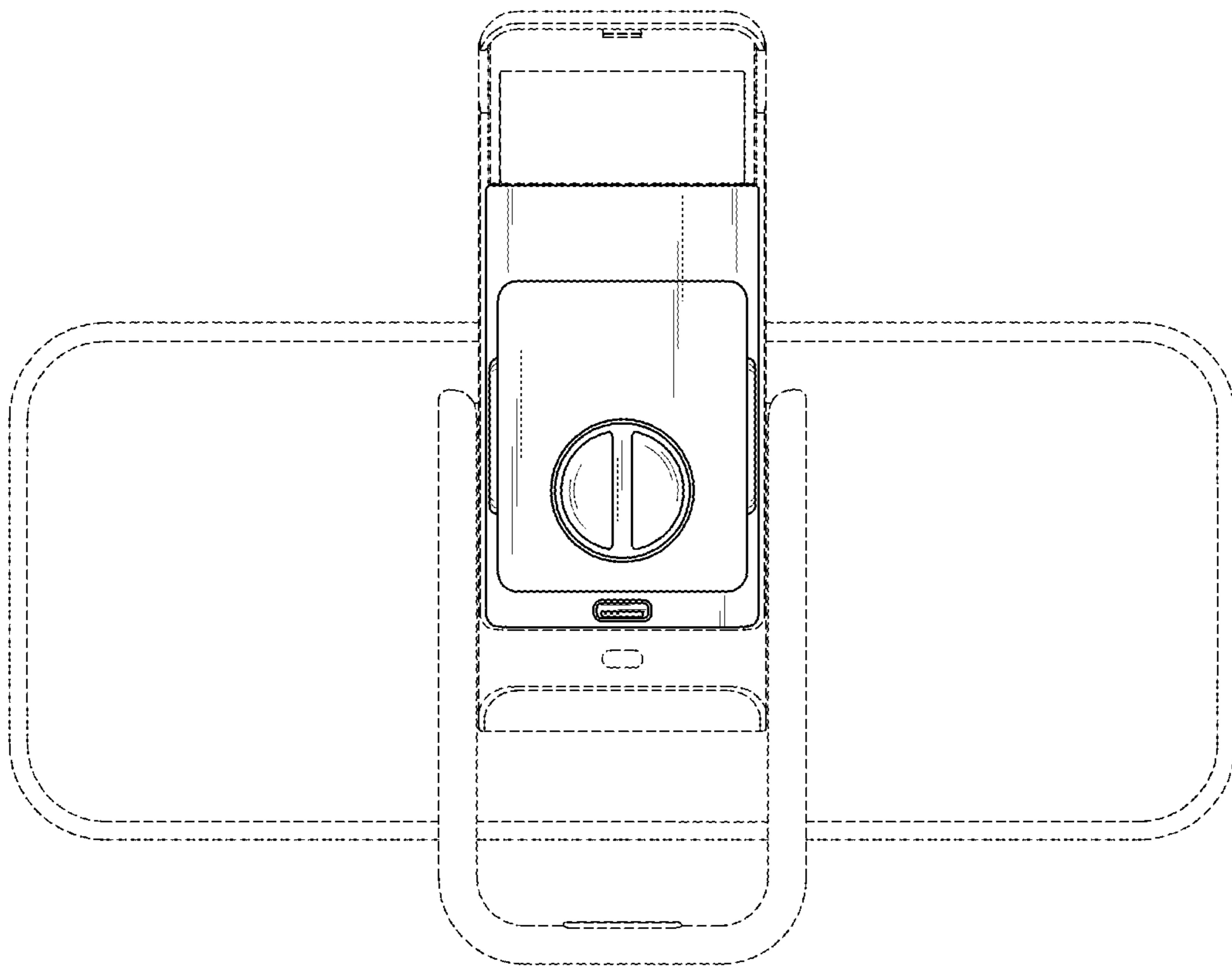
*FIG. 4*



*FIG. 5*

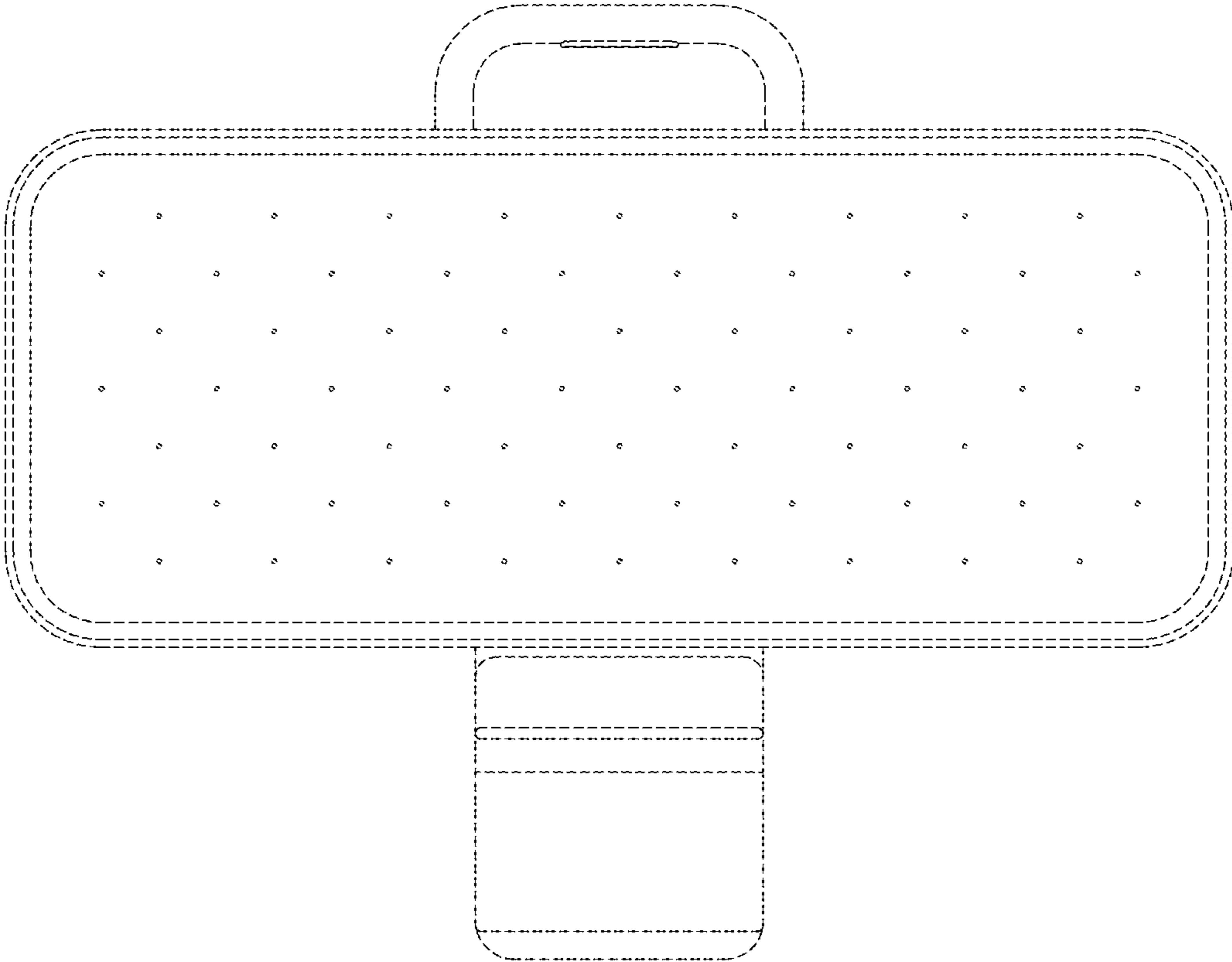


*FIG. 6*

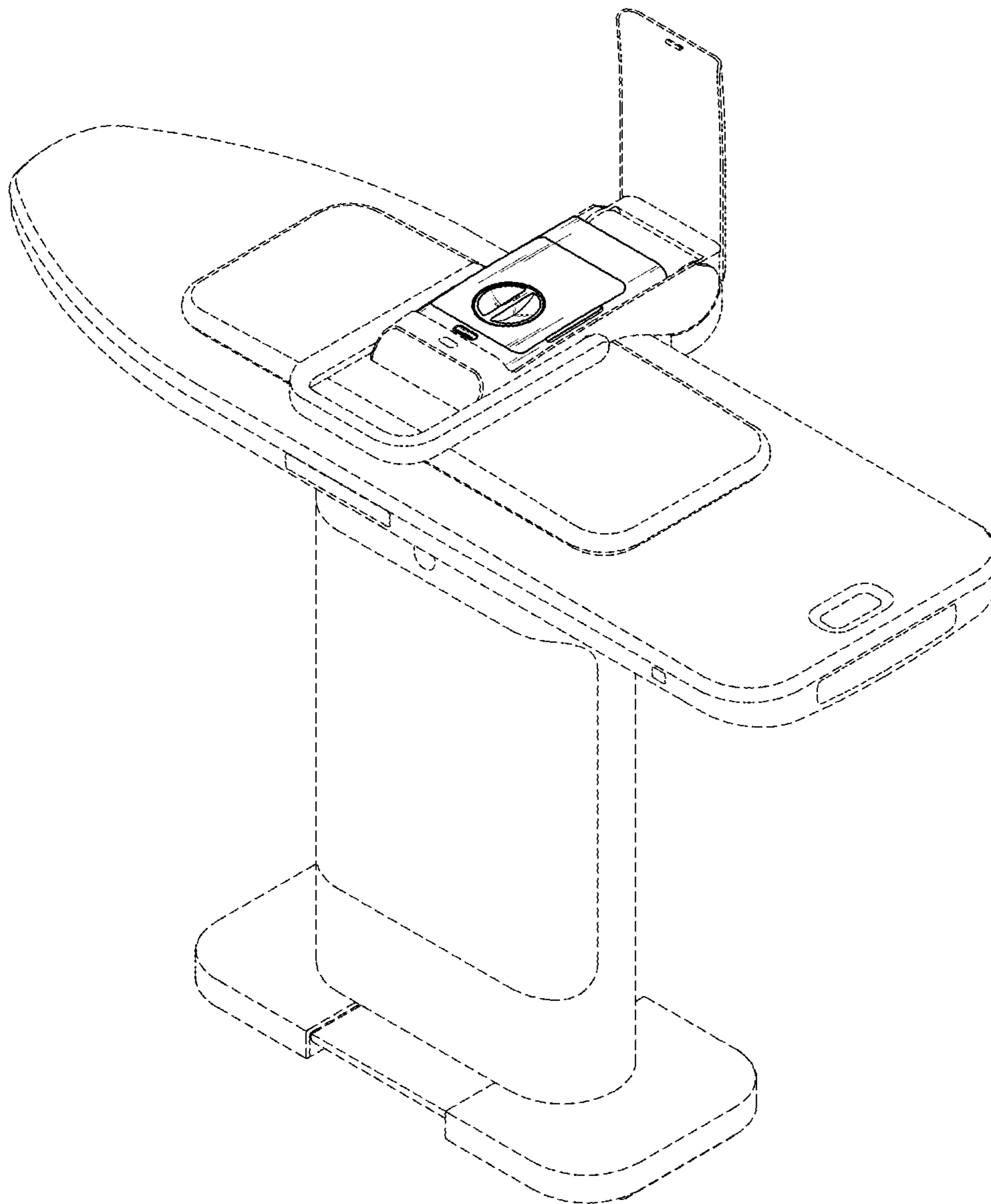




*FIG. 7*



*FIG. 8*



*FIG. 9*

