



US00D926409S

(12) **United States Design Patent** (10) **Patent No.:** **US D926,409 S**  
**Tullney** (45) **Date of Patent:** **\*\* \*Jul. 27, 2021**

(54) **MOP OR BROOM HANDLE**  
(71) Applicant: **Carl Freudenberg KG**, Weinheim (DE)  
(72) Inventor: **Heiko Tullney**, Aumuehle (DE)  
(73) Assignee: **CARL FREUDENBERG KG**, Weinheim (DE)

D789,637 S \* 6/2017 Dobson, III ..... D32/51  
D819,906 S \* 6/2018 Beyda ..... D32/40  
D822,299 S \* 7/2018 Fair ..... D32/50  
D875,339 S \* 2/2020 Tullney ..... D32/51  
D882,896 S \* 4/2020 Thompson ..... D32/50  
(Continued)

(\* ) Notice: This patent is subject to a terminal disclaimer.  
(\*\* ) Term: **15 Years**

**FOREIGN PATENT DOCUMENTS**

CN 305527343 \* 1/2020  
EM 002724443-0004 \* 6/2015

(21) Appl. No.: **29/704,434**  
(22) Filed: **Sep. 5, 2019**

**OTHER PUBLICATIONS**

U.S. Appl. No. 29/704,431, filed Sep. 2019.

(30) **Foreign Application Priority Data**

Mar. 13, 2019 (EM) ..... 006306163

*Primary Examiner* — John R Yeh  
(74) *Attorney, Agent, or Firm* — Leydig, Voit & Mayer, Ltd.

(51) **LOC (13) Cl.** ..... **07-05**  
(52) **U.S. Cl.**

(57) **CLAIM**

The ornamental design for a mop or broom handle, as shown and described.

USPC ..... **D32/50**  
(58) **Field of Classification Search**  
USPC ..... D32/40–44, 46, 49–52; D4/104, 134, D4/138; D30/158–159  
CPC ..... A47L 17/00; A47L 13/20; A47L 13/252; A47L 13/24; A46D 3/00; A46B 9/00; B08B 9/08; A61B 18/14  
See application file for complete search history.

**DESCRIPTION**

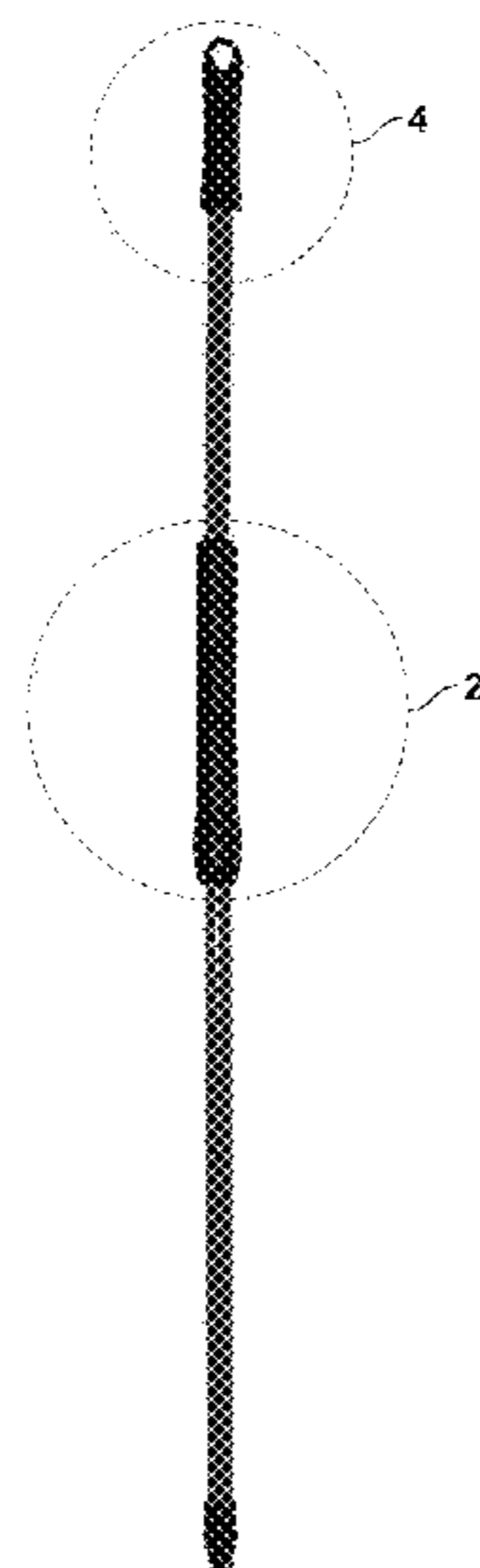
The file of this patent contains at least one drawing/photograph executed in color. Copies of this patent with color drawing(s)/photograph(s) will be provided by the Office upon request and payment of the necessary fee.  
FIG. 1 is a front view of a mop or broom handle showing my new design;  
FIG. 2 is an enlarged partial view of the indicated portion from FIG. 1 taken from a side thereof;  
FIG. 3 is an enlarged partial view of the indicated portion from FIG. 6;  
FIG. 4 is an enlarged partial front view of the indicated portion from FIG. 1;  
FIG. 5 is an enlarged side partial view of the indicated portion from FIG. 6; and,  
FIG. 6 is a side view thereof.

(56) **References Cited**

**U.S. PATENT DOCUMENTS**

D317,068 S \* 5/1991 Bosworth ..... D32/51  
D387,527 S \* 12/1997 Specht ..... D32/51  
D477,694 S \* 7/2003 Windham ..... D30/160  
D497,723 S \* 11/2004 Sickler ..... D4/121  
D530,050 S \* 10/2006 Bizzotto ..... D32/50  
D586,513 S \* 2/2009 PZW Pho ..... D32/50  
D698,112 S \* 1/2014 Molinet ..... D32/51

**1 Claim, 6 Drawing Sheets**  
**(6 of 6 Drawing Sheet(s) Filed in Color)**



(56)

**References Cited**

U.S. PATENT DOCUMENTS

2002/0042962 A1\* 4/2002 Willman ..... D06M 15/263  
15/208

\* cited by examiner

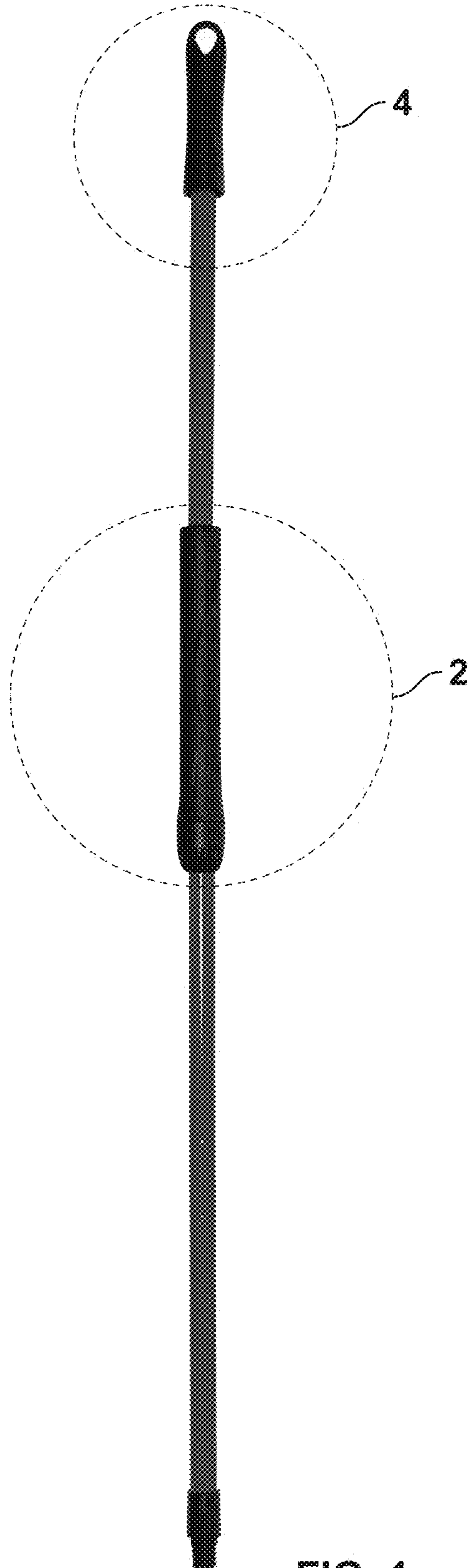


FIG. 1

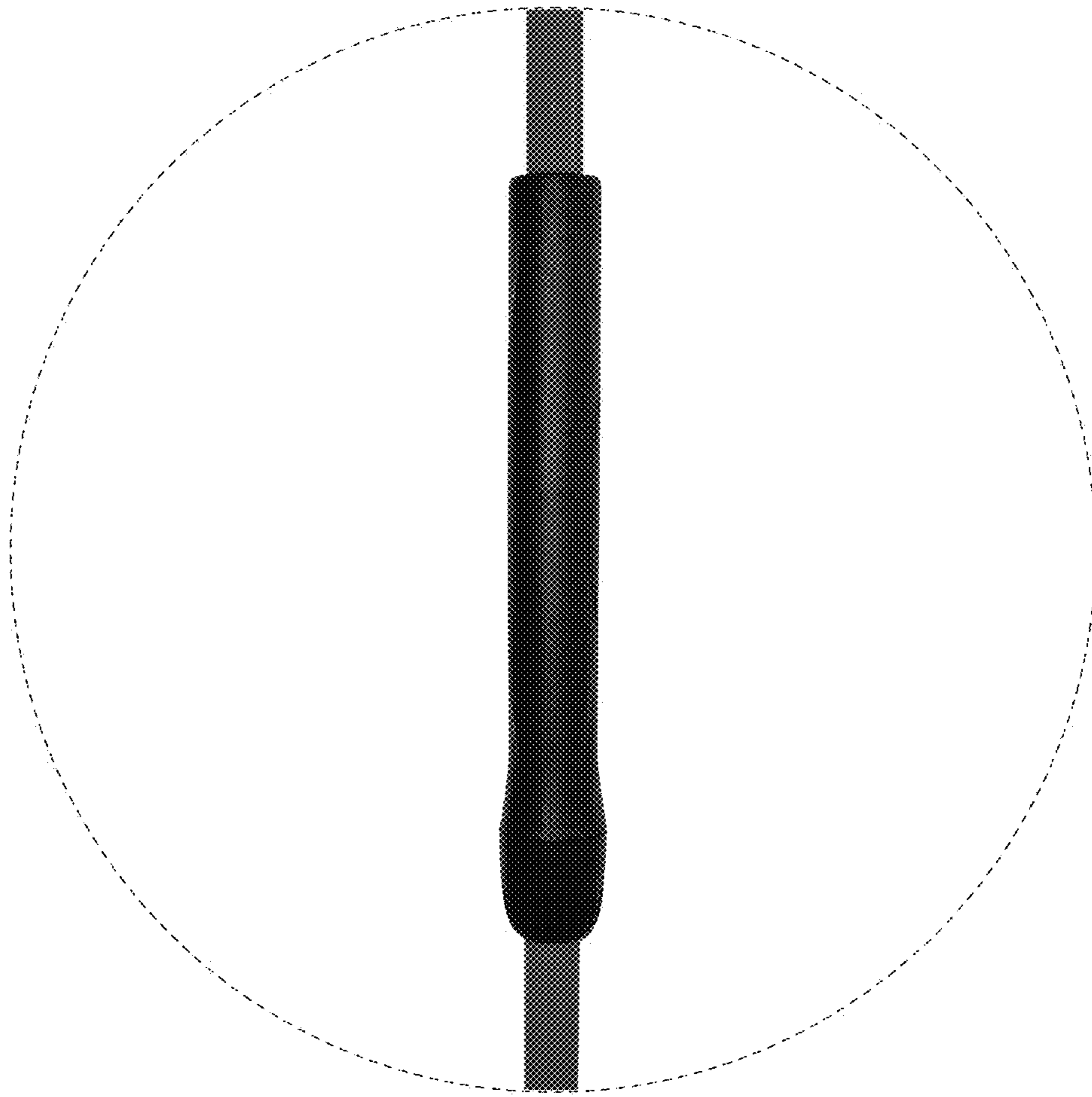


FIG. 2

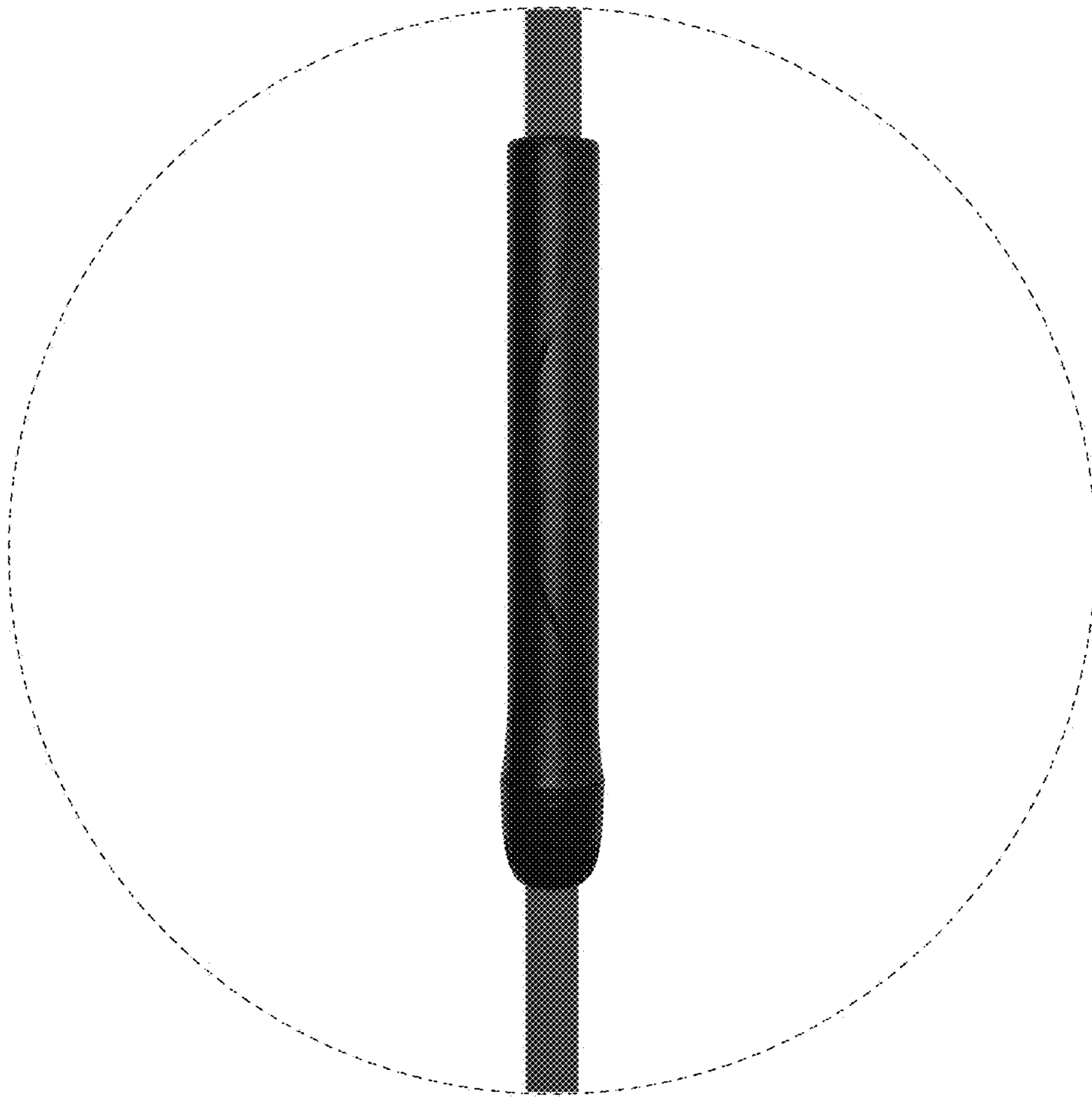


FIG. 3



FIG. 4



FIG. 5

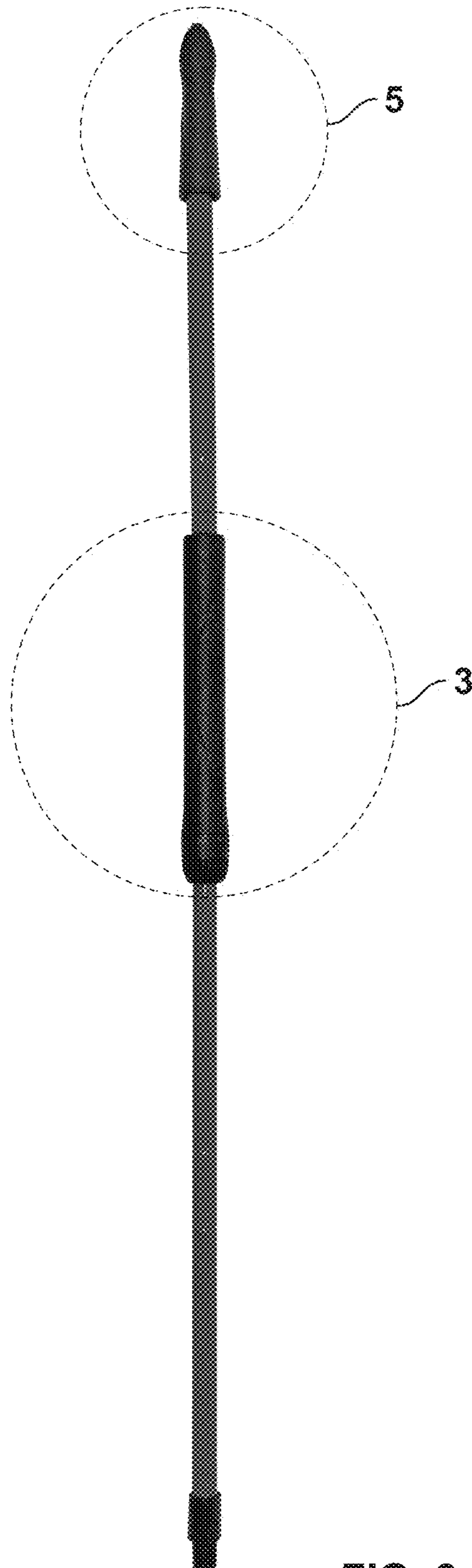


FIG. 6