



US00D926408S

(12) **United States Design Patent** (10) **Patent No.:** **US D926,408 S**
Sharma et al. (45) **Date of Patent:** **** Jul. 27, 2021**

(54) **GRILL SCRAPER**
(71) Applicant: **Weber-Stephen Products LLC**,
Palatine, IL (US)
(72) Inventors: **Aman Sharma**, Round Lake, IL (US);
Brian C. Donnelly, Naperville, IL
(US); **Derek W. Bennion**, Chicago, IL
(US)

D349,592 S 8/1994 Stoll
D352,426 S 11/1994 Tucker
D355,281 S 2/1995 Hansen et al.
D358,011 S * 5/1995 Decarli D32/46
D360,505 S 7/1995 Goodman et al.
D362,936 S * 10/1995 Shabel D32/46
D363,863 S * 11/1995 Tipp D8/18
D379,256 S 5/1997 Tipp

(Continued)

FOREIGN PATENT DOCUMENTS

(73) Assignee: **WEBER-STEPHEN PRODUCTS LLC**, Palatine, IL (US)

KR 300792365.0000 * 4/2015

(**) Term: **15 Years**

OTHER PUBLICATIONS

(21) Appl. No.: **29/754,222**

Weber Grill Scraper in the Grill Brushes, Lowes reviews 2020, https://www.lowes.com/pd/Weber-Grill-Scraper/5001608969?cm_mmc=shp_-c_-prd_-sol_-google_-pla_-1... site visited Mar. 11, 2021.*

(22) Filed: **Oct. 8, 2020**

(Continued)

Related U.S. Application Data

(62) Division of application No. 29/676,037, filed on Jan. 8, 2019, now Pat. No. Des. 902,515.

(51) **LOC (13) Cl.** **07-05**

(52) **U.S. Cl.**
USPC **D32/46**

(58) **Field of Classification Search**
USPC D32/46-49; D8/94, 98, 105; D4/104,
D4/138

CPC A47L 13/10; A47L 13/12; A47J 37/0786;
A47J 37/00; A47J 37/07; A45F 5/00

See application file for complete search history.

Primary Examiner — John R Yeh

(74) *Attorney, Agent, or Firm* — Hanley, Flight & Zimmerman, LLC

(57) **CLAIM**

The ornamental design for a grill scraper, as shown and described.

DESCRIPTION

FIG. 1 is a left front perspective view of our design for a grill scraper;

FIG. 2 is a front view thereof, the rear view being a mirror image thereof;

FIG. 3 is a left side view thereof, the right side view being a mirror image thereof;

FIG. 4 is a top view thereof; and,

FIG. 5 is a bottom view thereof.

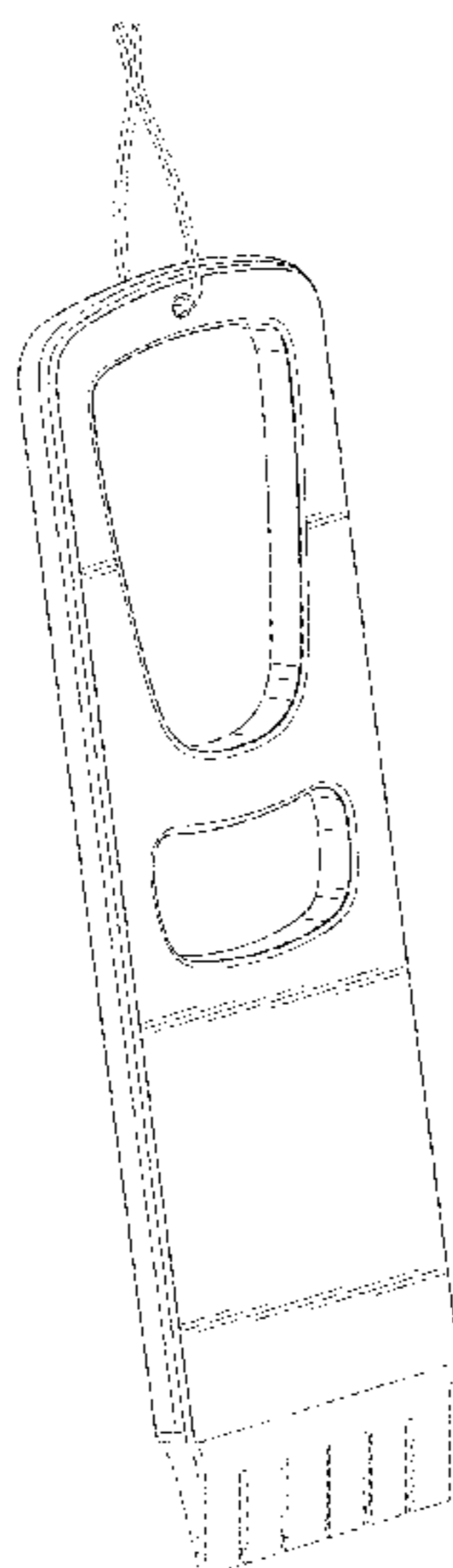
The broken lines in the figures depict portions of the grill scraper that form no part of the claimed design.

(56) **References Cited**

U.S. PATENT DOCUMENTS

D232,803 S 9/1974 Kleiman
D276,564 S 11/1984 Leininger
D287,093 S 12/1986 Ryan
D297,276 S 8/1988 Siler, Jr. et al.
D307,206 S 4/1990 Boyd
D320,483 S 10/1991 Desautel
D343,559 S * 1/1994 Liberty D8/45
D345,887 S 4/1994 Heiberg

1 Claim, 3 Drawing Sheets



(56)

References Cited

U.S. PATENT DOCUMENTS

D394,923 S 6/1998 Hellinger et al.
 D415,325 S 10/1999 Hellinger et al.
 D426,758 S * 6/2000 Mitchell D32/46
 D434,888 S * 12/2000 Hendricks D32/46
 D481,501 S 10/2003 Richter
 D499,851 S * 12/2004 Kortleven D32/46
 6,851,215 B2 * 2/2005 Conrad A01K 97/00
 43/17.2
 D514,763 S 2/2006 Lyall, III et al.
 D516,263 S 2/2006 Gringer et al.
 D537,591 S 2/2007 Gringer et al.
 D544,162 S 6/2007 Uffner et al.
 D587,871 S 3/2009 van Deursen et al.
 D617,967 S 6/2010 Lambert
 D695,477 S 12/2013 Patterson
 8,646,821 B2 * 2/2014 Holcomb A47J 43/288
 294/180
 D703,408 S 4/2014 Holma et al.
 D756,178 S * 5/2016 Kelleghan D8/19
 D759,328 S 6/2016 Cleere
 D797,391 S 9/2017 Latham
 D828,666 S 9/2018 Borovicka
 D840,124 S * 2/2019 Greenberger D32/46
 D841,271 S 2/2019 Motsenbocker
 D841,911 S * 2/2019 Hamilton D32/40

D843,075 S * 3/2019 Hamilton D32/40
 D846,216 S * 4/2019 Hamilton D32/40
 D846,218 S * 4/2019 Thompson D32/46
 D850,042 S * 5/2019 Blake D32/46
 D850,044 S 5/2019 Borovicka et al.
 D850,745 S * 6/2019 Stecik D32/46
 D860,564 S * 9/2019 Cavero D32/41
 D902,515 S * 11/2020 Sharma D32/46
 2014/0298606 A1 * 10/2014 Thompson A47J 37/0786
 15/236.01

OTHER PUBLICATIONS

Amazon.com, "Mr. Art Wood BBQ and Grill Wooden Scraper Tool, reviews 2019," available at [<https://www.amazon.com/...5&hvnetw=g&hvrand=9696476449289954816&hvqmt=&hv-dev=c&hvdvcmdl=&hvlocint=&hvlocphy=1023191&hvtargid=pla-849908842994#custo-merReviews,>] retrieved on Jan. 27, 2020, 11 pages.
 United States Patent and Trademark Office, "Ex Parte Quayle Action," issued in connection with U.S. Appl. No. 29/676,037, dated Mar. 4, 2020, 4 pages.
 United States Patent and Trademark Office, "Notice of Allowance and Fee(s) Due," issued in connection with U.S. Appl. No. 29/676,037, dated Jul. 20, 2020, 5 pages.

* cited by examiner

Fig. 1

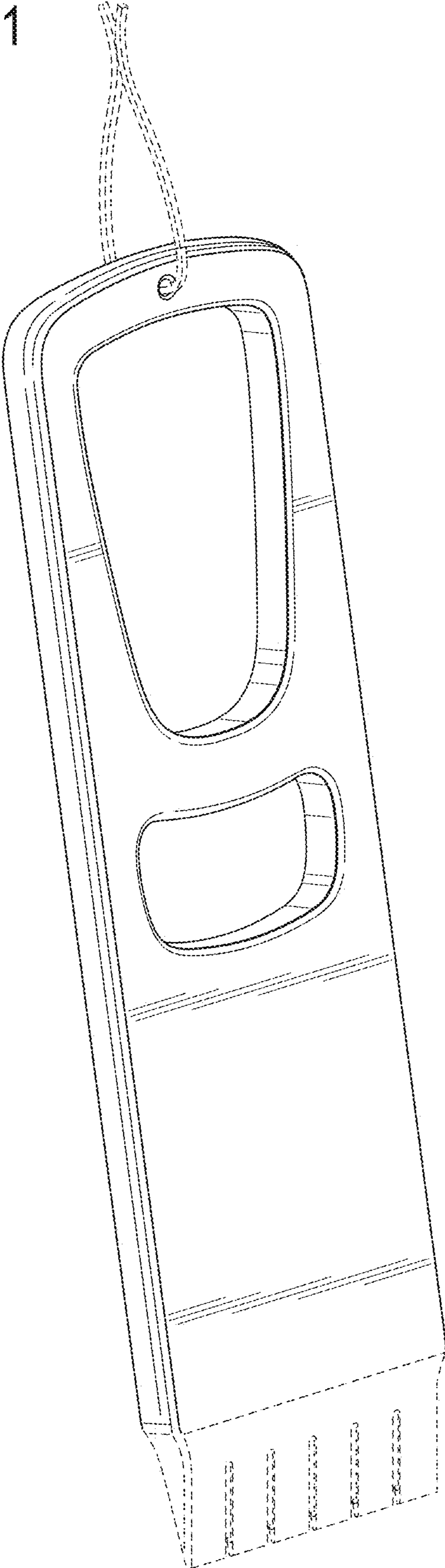


Fig. 2

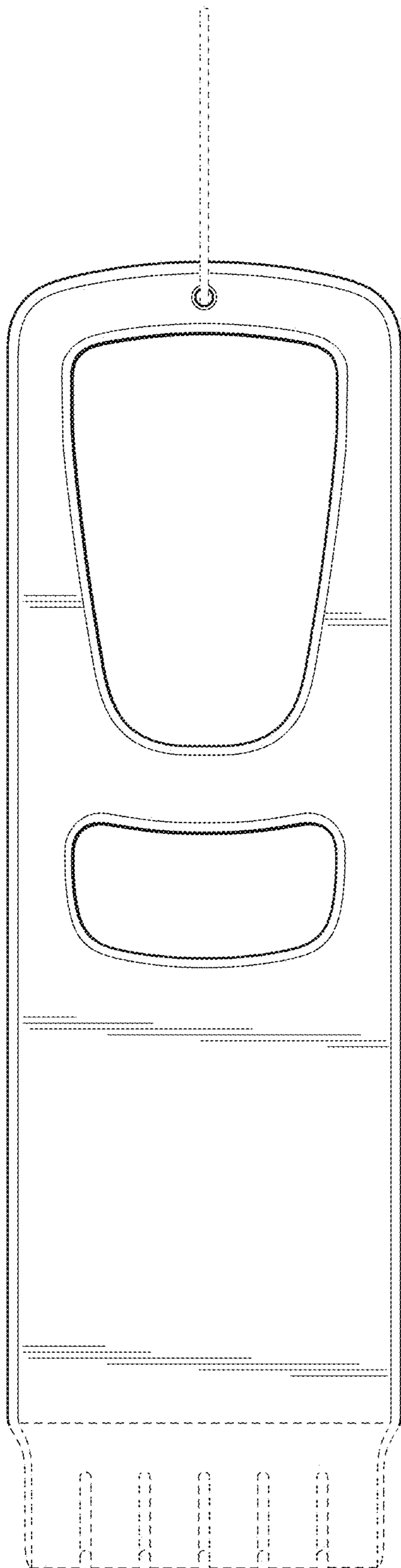


Fig. 3

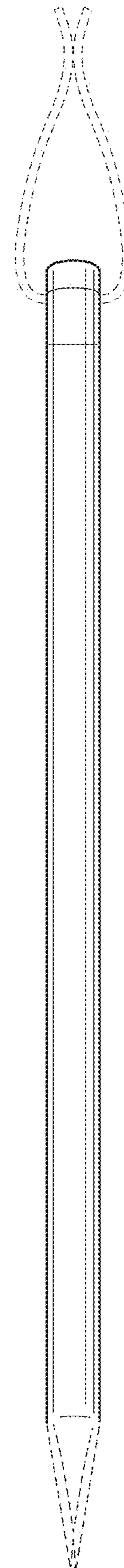


Fig. 4

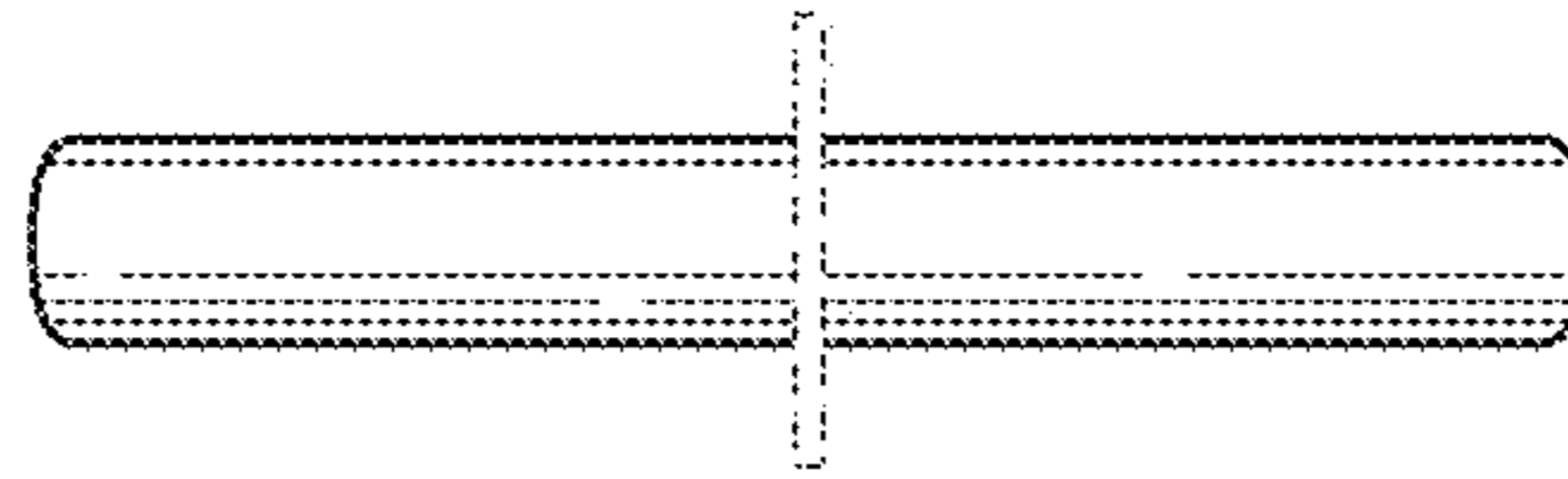


Fig. 5

