



US00D926403S

(12) **United States Design Patent**  
**Luo**

(10) **Patent No.:** **US D926,403 S**  
(45) **Date of Patent:** **\*\* Jul. 27, 2021**

(54) **VACUUM MACHINE**

(71) Applicant: **Tianxu Luo**, Guangde (CN)

(72) Inventor: **Tianxu Luo**, Guangde (CN)

(\*\*) Term: **15 Years**

(21) Appl. No.: **29/716,606**

(22) Filed: **Dec. 11, 2019**

(51) **LOC (13) Cl.** ..... **15-05**

(52) **U.S. Cl.**

USPC ..... **D32/23**

(58) **Field of Classification Search**

USPC ..... D32/17, 18, 19, 21, 22, 23, 31; D7/509,  
D7/511, 590, 608; D8/70; D9/516, 537,  
D9/564; D14/213, 214, 215, 216;  
D23/202, 205

CPC ... A47L 5/24; A47L 5/365; A47L 5/38; A47L  
7/0023; A47L 7/0047; A47L 7/0052;  
A47L 7/009; A47L 9/0036; A47L 9/0673;  
A47L 9/127; A47L 9/1409; A47L 9/1683;  
A47L 9/1666; A47L 11/22; A47L 11/30;  
B01D 2279/55; B04C 5/08; B04C 5/18;  
B04C 2009/004; B23Q 11/0046; B23Q  
11/0071; Y10S 55/03; E04H 4/1636

See application file for complete search history.

(56) **References Cited**

**U.S. PATENT DOCUMENTS**

- 2,007,631 A \* 7/1935 Bieth ..... A47L 5/362  
415/182.1
- D117,775 S \* 11/1939 Martinet ..... D32/24
- D118,007 S \* 12/1939 Anderson ..... D32/24
- D127,612 S \* 6/1941 Guild ..... D32/24
- D132,697 S \* 6/1942 Frantz ..... D32/24
- 2,307,538 A \* 1/1943 Paulus ..... A47L 9/22  
248/634
- 2,337,364 A \* 12/1943 Ashbaugh ..... A47L 5/362  
15/323
- D149,477 S \* 5/1948 Dreyfuss ..... D32/24
- D149,479 S \* 5/1948 Dreyfuss ..... D32/24

- D150,220 S \* 7/1948 Geistert ..... D32/24
- 2,450,172 A \* 9/1948 Stoner ..... A47L 9/0027  
15/323
- 2,464,401 A \* 3/1949 Kelly ..... A47L 9/22  
415/201

(Continued)

**FOREIGN PATENT DOCUMENTS**

- CN 305878446 \* 6/2020
- CN 305965806 \* 8/2020

**OTHER PUBLICATIONS**

Baseus Handheld Car Vacuum, available in Amazon.co.uk, date first available Nov. 20, 2019 [online], [site visited May 28, 2021], Available from the internet URL: [https://www.amazon.co.uk/dp/B07R77VTCF/ref=cm\\_sw\\_em\\_r\\_mt\\_imm\\_awdb\\_27TDTB3P6N58E3SCR5BX?\\_encoding=UTF8&psc=1](https://www.amazon.co.uk/dp/B07R77VTCF/ref=cm_sw_em_r_mt_imm_awdb_27TDTB3P6N58E3SCR5BX?_encoding=UTF8&psc=1) (Year: 2019).\*

(Continued)

*Primary Examiner* — Dana K Weiland  
*Assistant Examiner* — Jennylou M Binas

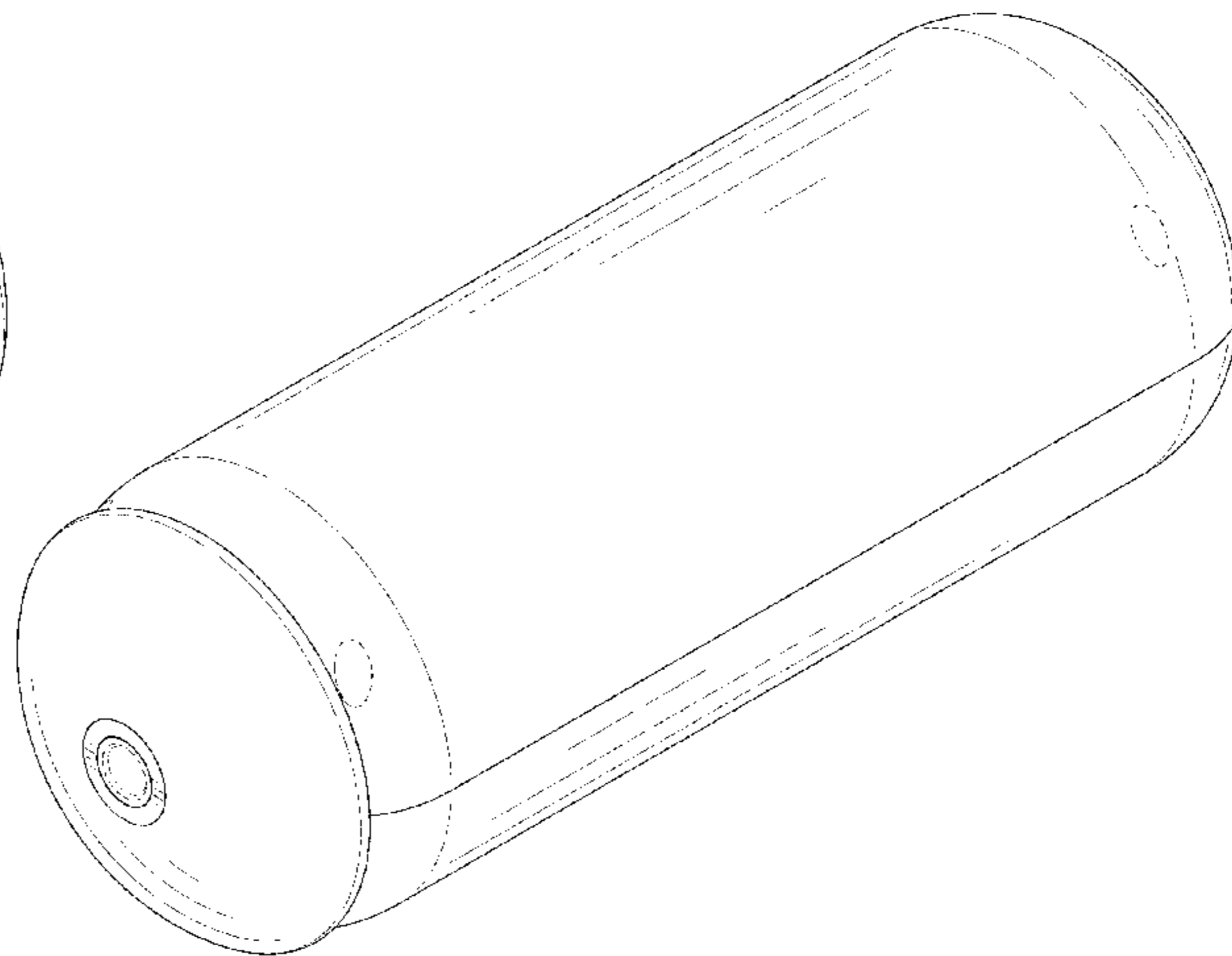
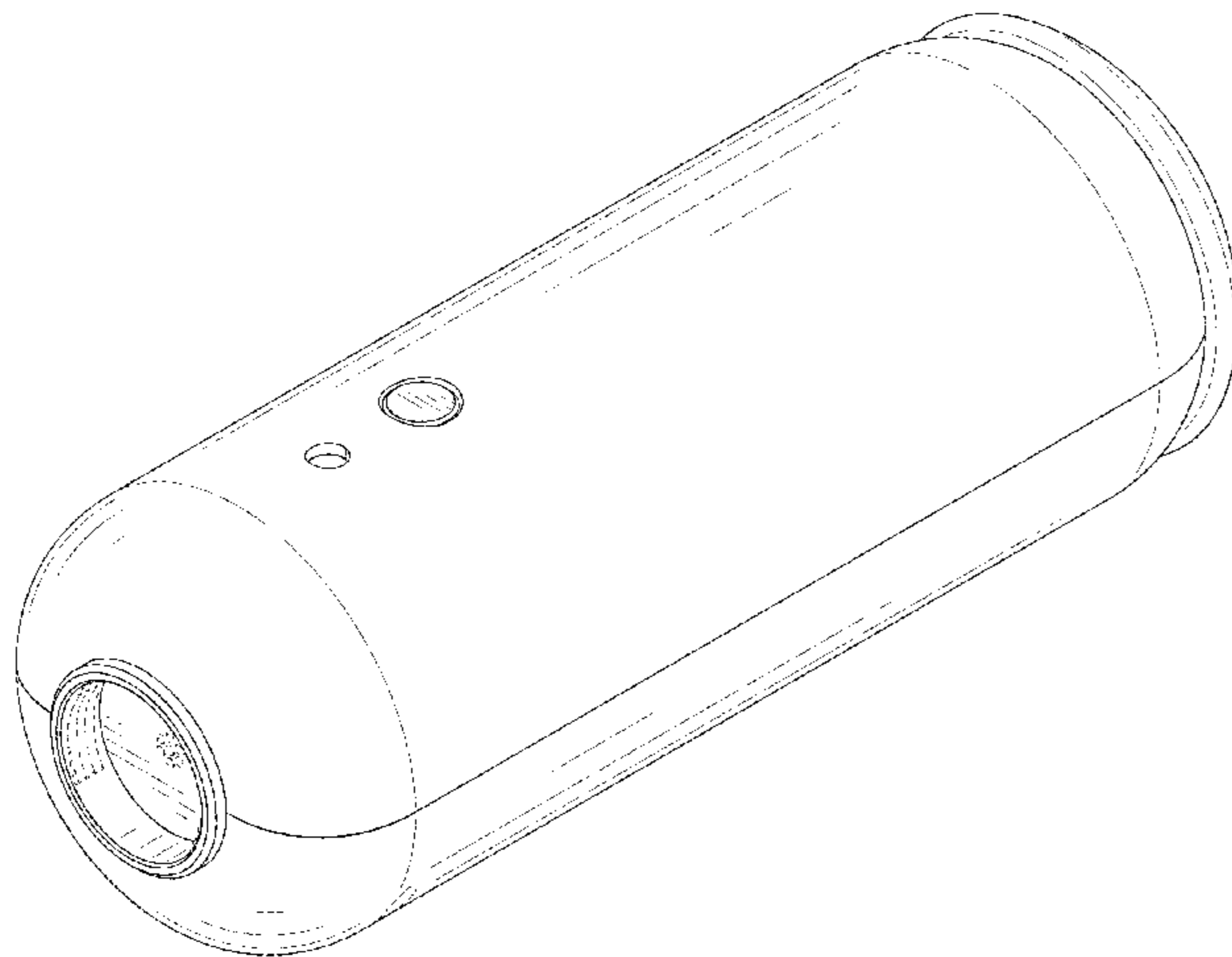
(57) **CLAIM**

The ornamental design for a vacuum machine, as shown and described.

**DESCRIPTION**

FIG. 1 is a perspective view of a vacuum machine showing my new design;  
FIG. 2 is another perspective view thereof;  
FIG. 3 is a front elevational view thereof;  
FIG. 4 is a rear elevational view thereof;  
FIG. 5 is a left side elevational view thereof;  
FIG. 6 is a right side elevational view thereof;  
FIG. 7 is a top plan view thereof; and,  
FIG. 8 is a bottom plan view thereof.  
The broken lines in the drawings depict portions of the vacuum machine that form no part of the claimed design.

**1 Claim, 8 Drawing Sheets**





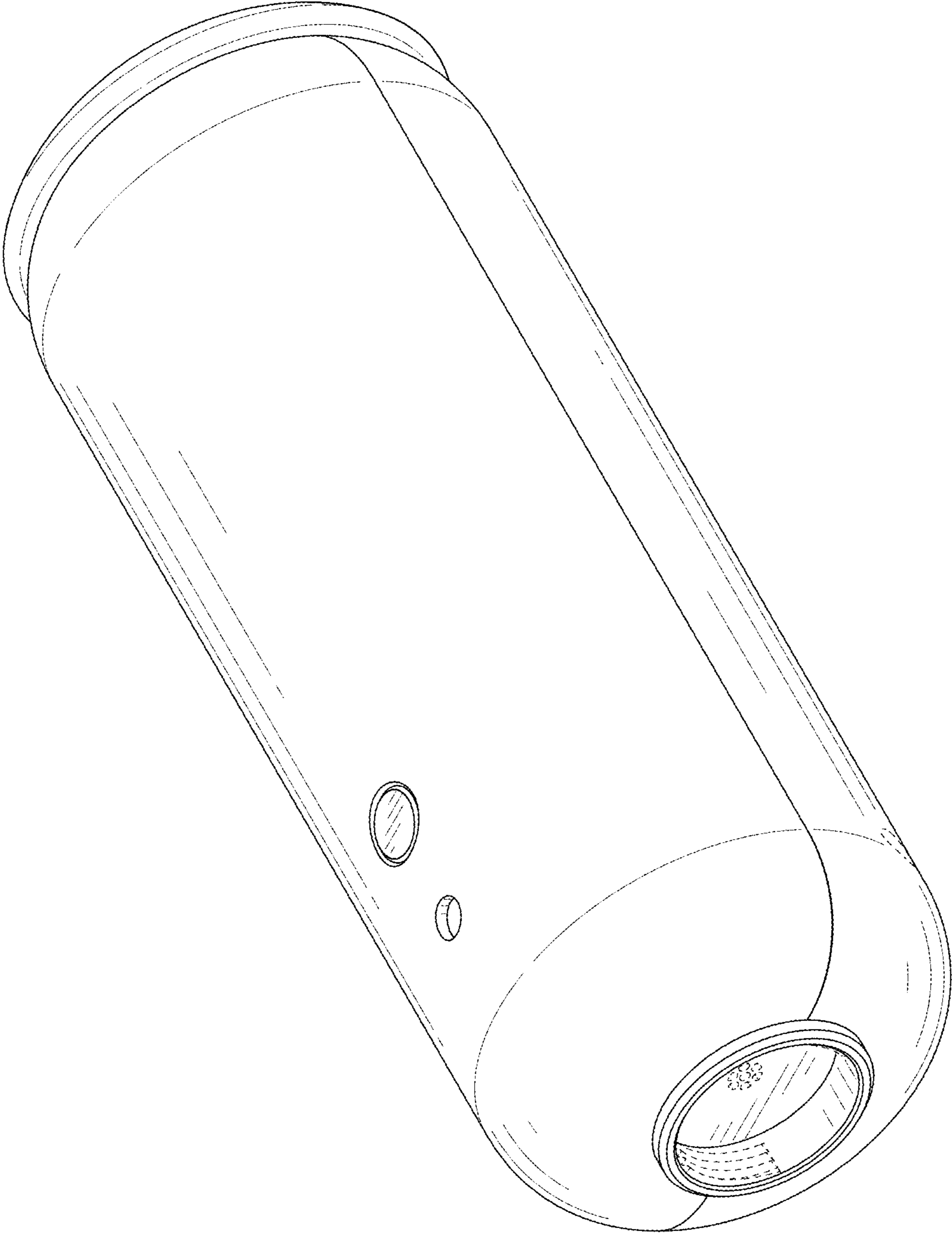


FIG. 1

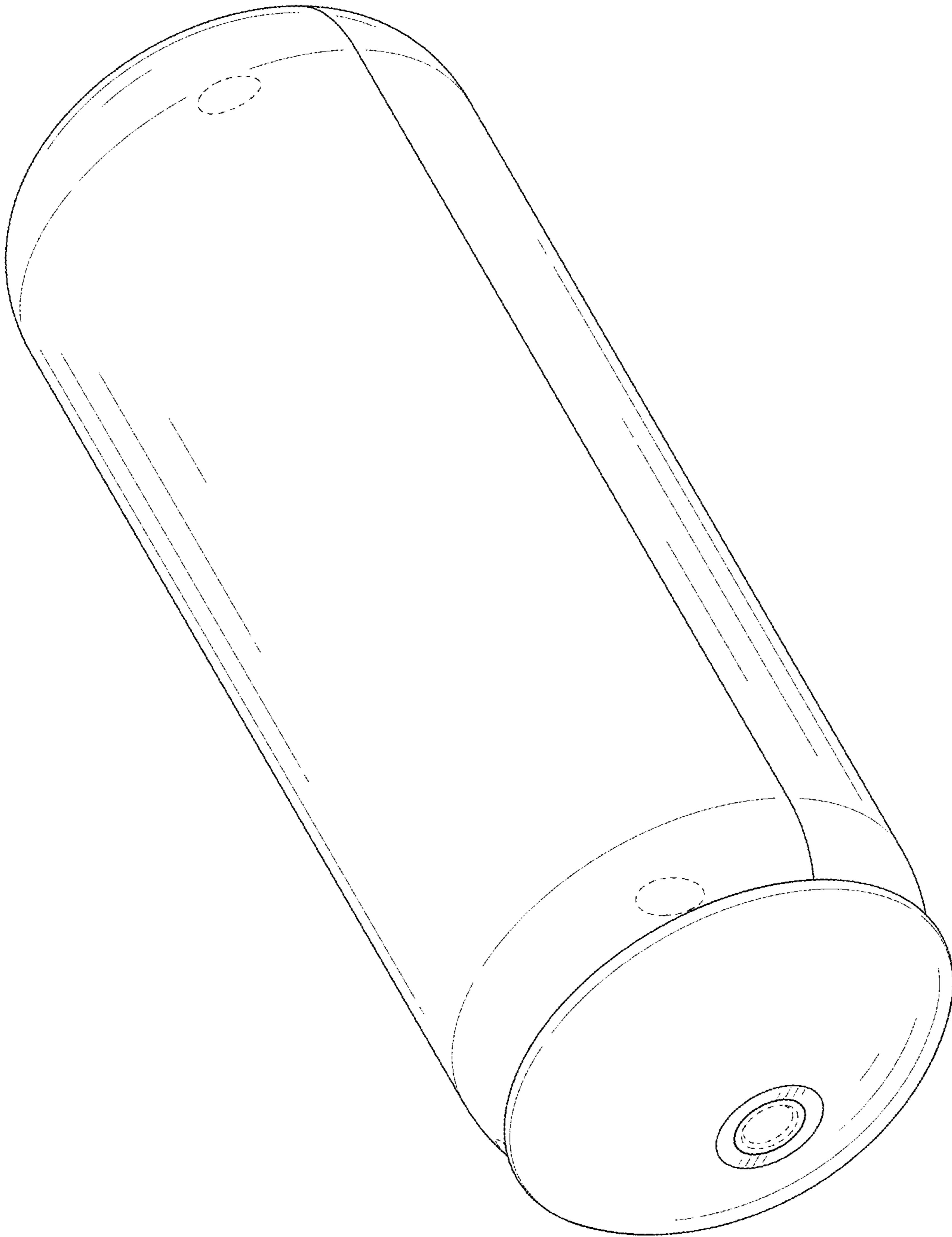


FIG. 2



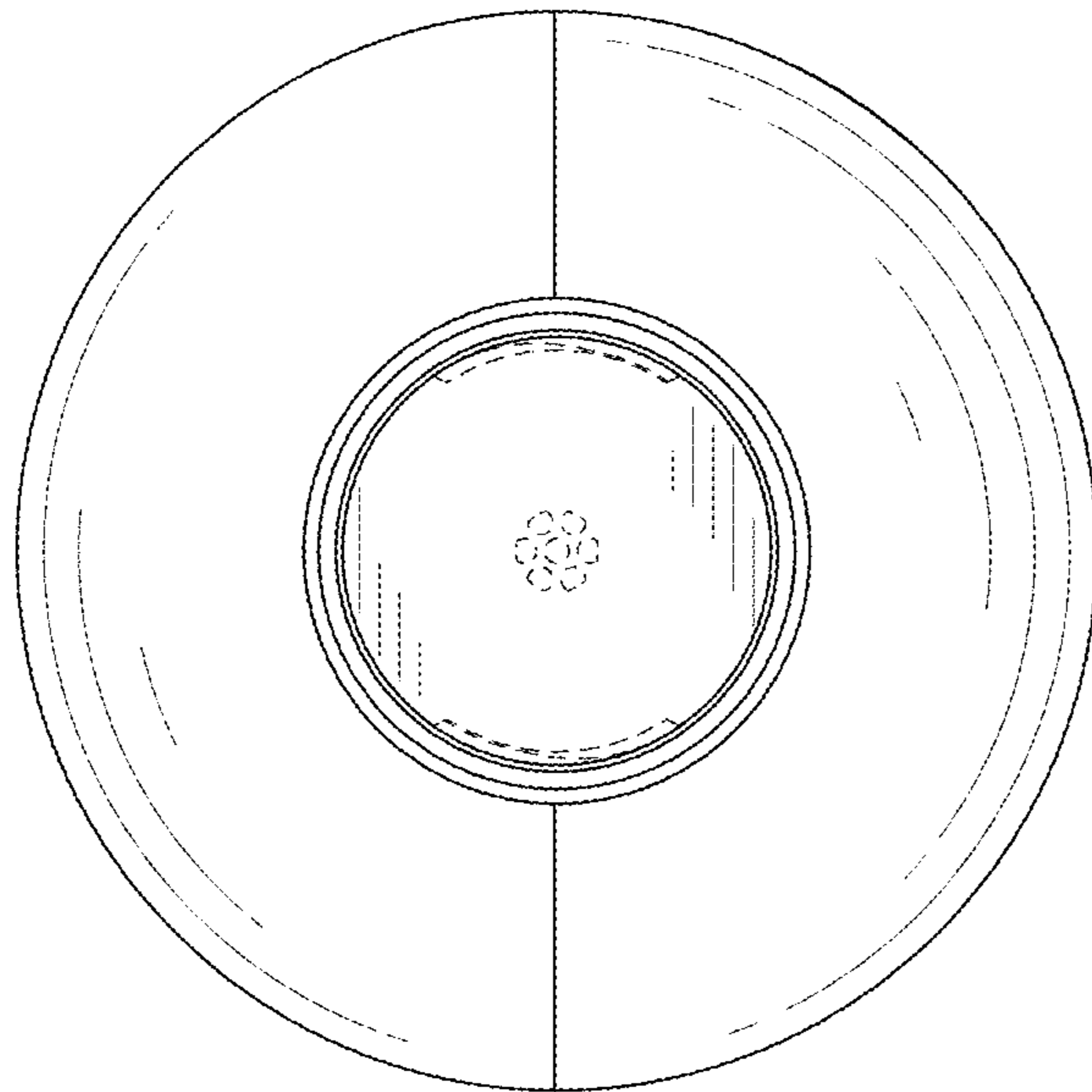


FIG. 3

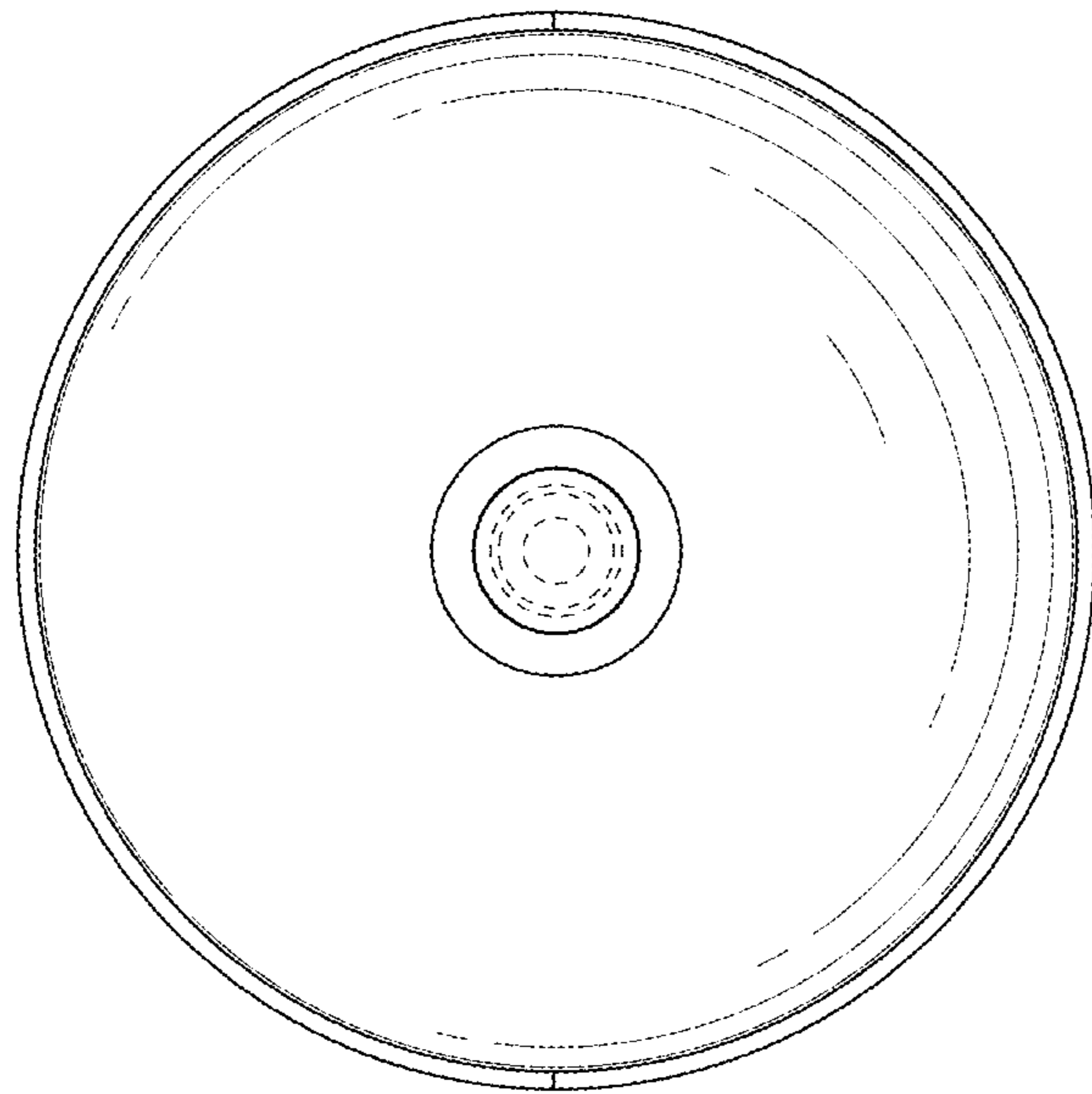


FIG. 4

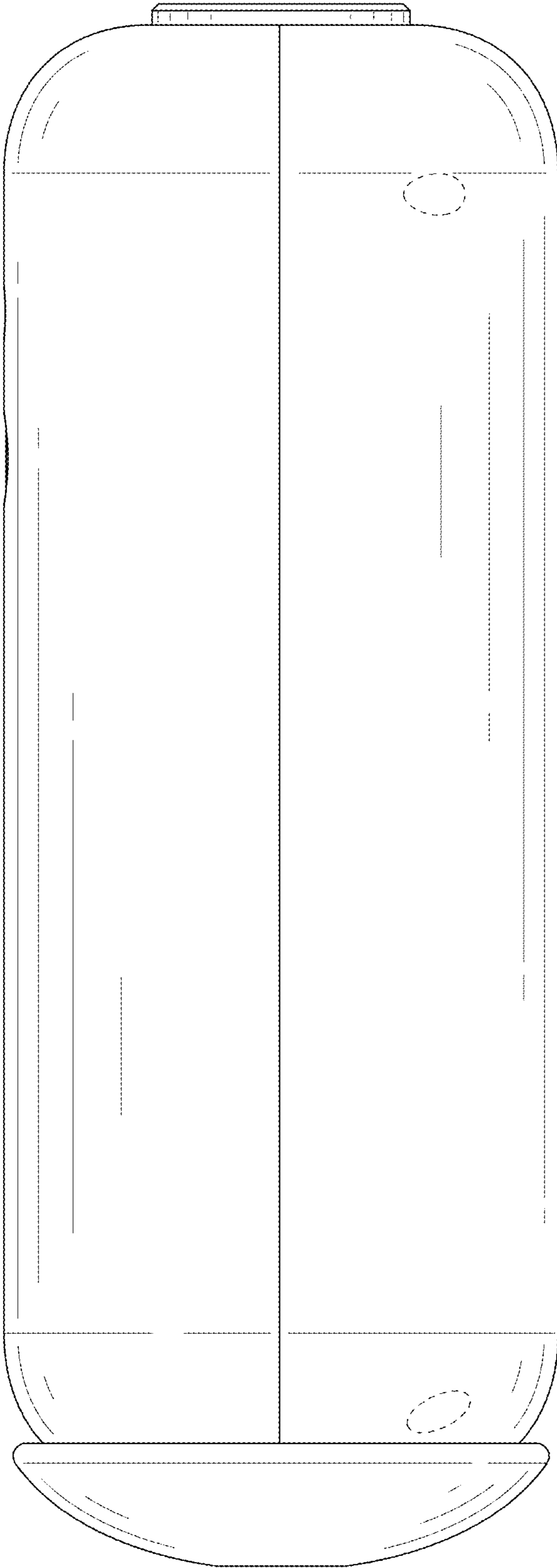


FIG. 5

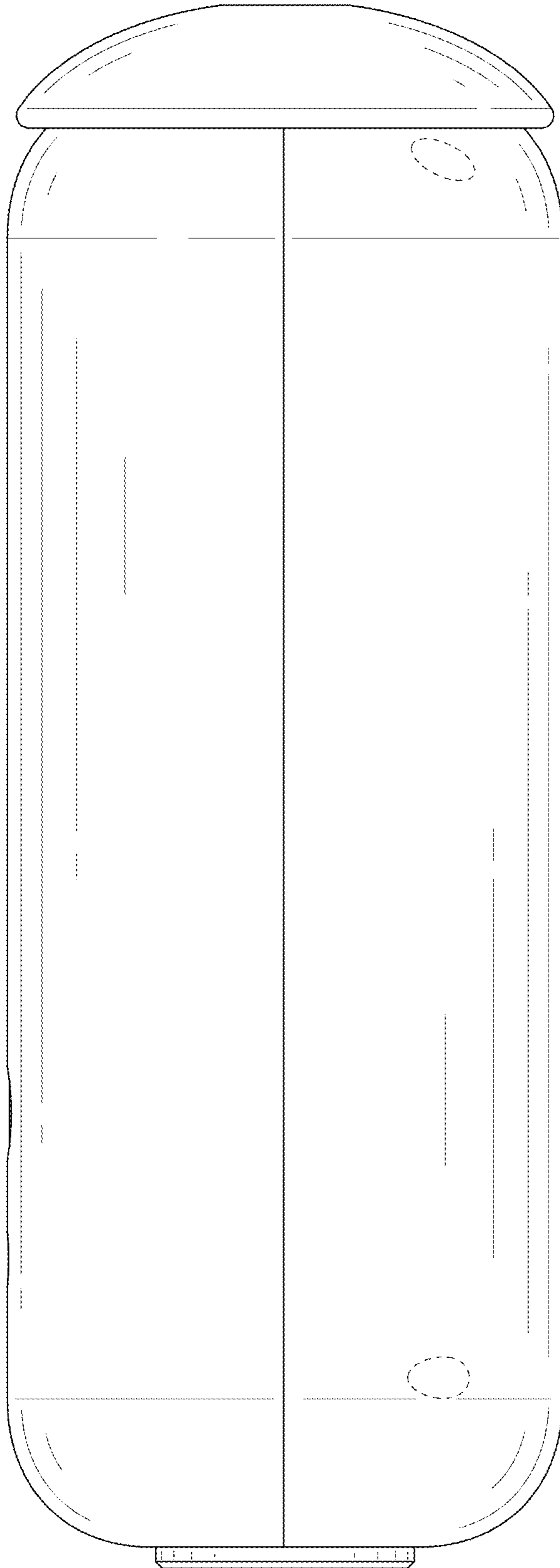


FIG. 6



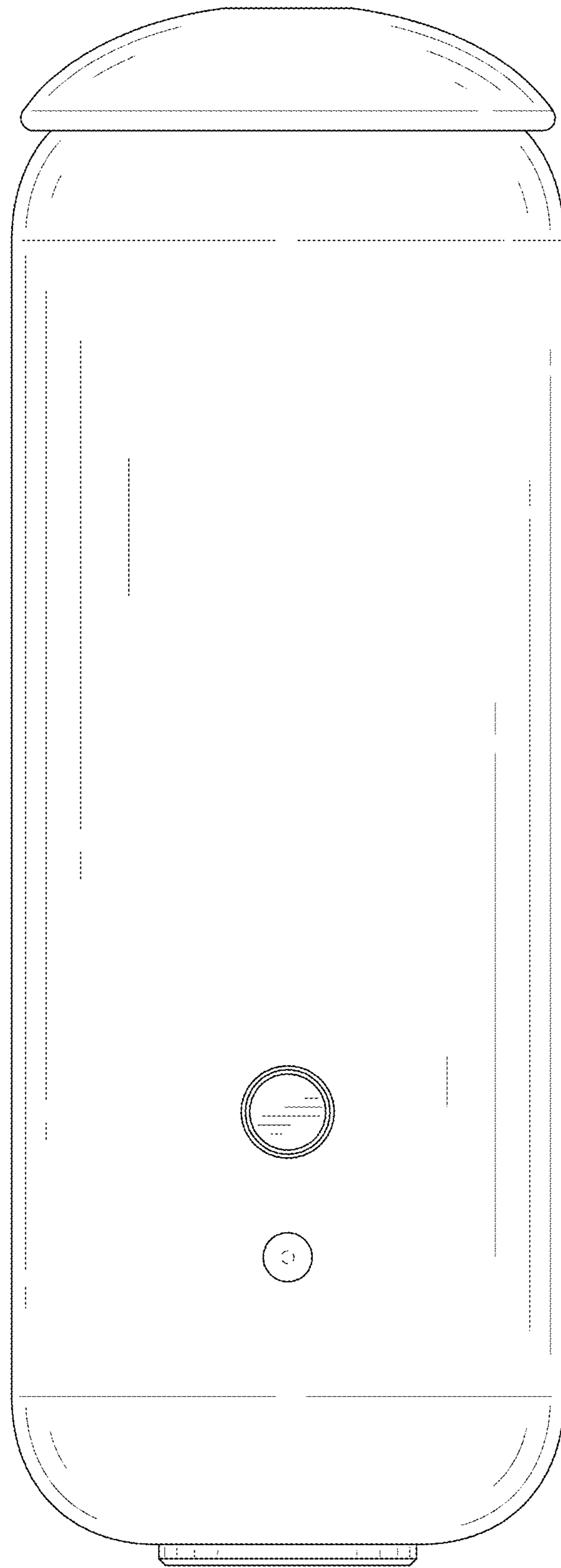


FIG. 7

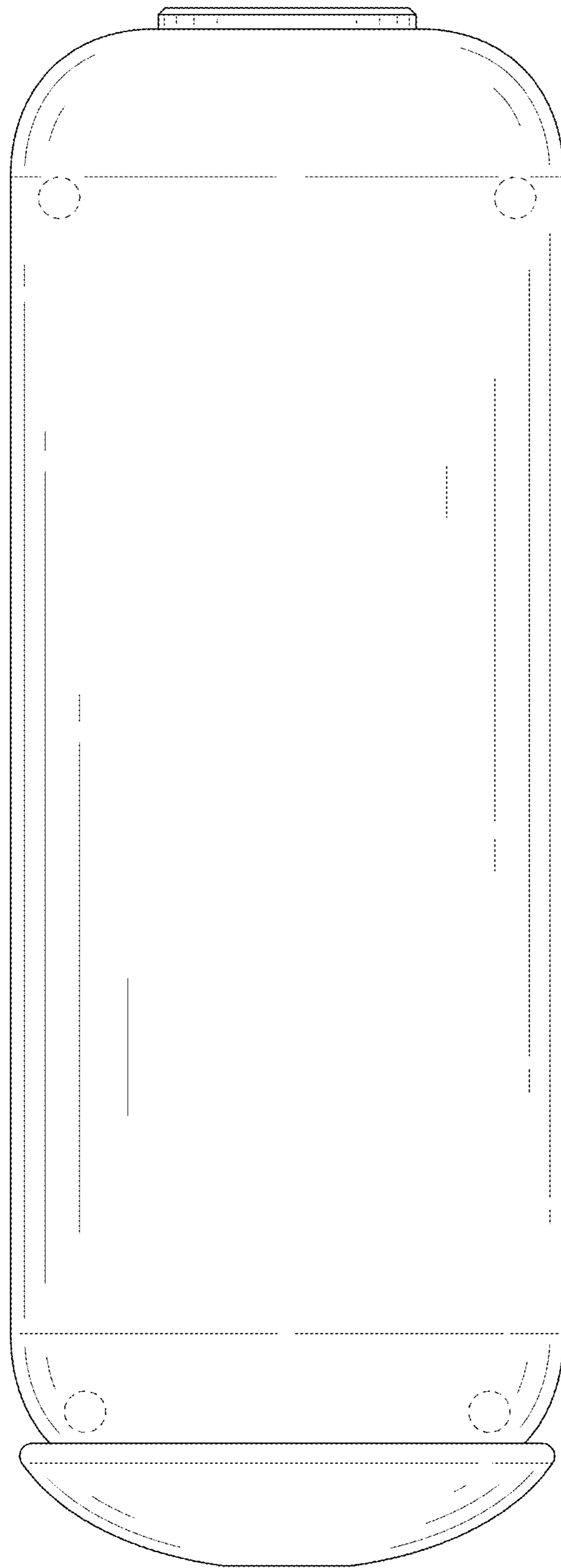


FIG. 8