



US00D926402S

(12) **United States Design Patent**  
**Luo**

(10) **Patent No.:** **US D926,402 S**  
(45) **Date of Patent:** **\*\* Jul. 27, 2021**

(54) **VACUUM MACHINE**

(71) Applicant: **Tianxu Luo**, Guangde (CN)

(72) Inventor: **Tianxu Luo**, Guangde (CN)

(\*\*) Term: **15 Years**

(21) Appl. No.: **29/716,604**

(22) Filed: **Dec. 11, 2019**

(51) **LOC (13) Cl.** ..... **15-05**

(52) **U.S. Cl.**  
USPC ..... **D32/23**

(58) **Field of Classification Search**

USPC ..... D32/17, 18, 19, 21, 22, 23, 31; D7/509,  
D7/511, 590, 608; D8/70; D9/516, 537,  
D9/564; D14/213, 214, 215, 216;  
D23/202, 205  
CPC ... A47L 5/24; A47L 5/365; A47L 5/38; A47L  
7/0023; A47L 7/0047; A47L 7/0052;  
A47L 7/009; A47L 9/0036; A47L 9/0673;  
A47L 9/127; A47L 9/1409; A47L 9/1683;  
A47L 9/1666; A47L 11/22; A47L 11/30;  
B01D 2279/55; B04C 5/08; B04C 5/18;  
B04C 2009/004; B23Q 11/0046; B23Q  
11/0071; Y10S 55/03; E04H 4/1636  
See application file for complete search history.

(56) **References Cited**

**U.S. PATENT DOCUMENTS**

2,007,631 A \* 7/1935 Bieth ..... A47L 5/362  
415/182.1  
D117,775 S \* 11/1939 Martinet ..... D32/24  
D118,007 S \* 12/1939 Anderson ..... D32/24  
D127,612 S \* 6/1941 Guild ..... D32/24  
D132,697 S \* 6/1942 Frantz ..... D32/24  
2,307,538 A \* 1/1943 Paulus ..... A47L 9/22  
248/634  
2,337,364 A \* 12/1943 Ashbaugh ..... A47L 5/362  
15/323  
D149,477 S \* 5/1948 Dreyfuss ..... D32/24

D149,479 S \* 5/1948 Dreyfuss ..... D32/24  
D150,220 S \* 7/1948 Geistert ..... D32/24  
2,450,172 A \* 9/1948 Stoner ..... A47L 9/0027  
15/323

(Continued)

**FOREIGN PATENT DOCUMENTS**

CN 305965806 \* 8/2020

**OTHER PUBLICATIONS**

Baseus Handheld Car Vacuum, available in Amazon.co.uk, date first available Nov. 20, 2019 [online], [site visited May 28, 2021], Available from the internet URL: [https://www.amazon.co.uk/dp/B07R77VTCF/ref=cm\\_sw\\_em\\_r\\_mt\\_imm\\_awdb\\_27TDTB3P6N58E3SCR5BX?\\_encoding=UTF8&psc=1](https://www.amazon.co.uk/dp/B07R77VTCF/ref=cm_sw_em_r_mt_imm_awdb_27TDTB3P6N58E3SCR5BX?_encoding=UTF8&psc=1) (Year: 2019).\*

(Continued)

*Primary Examiner* — Dana K Weiland  
*Assistant Examiner* — Jennylou M Binas

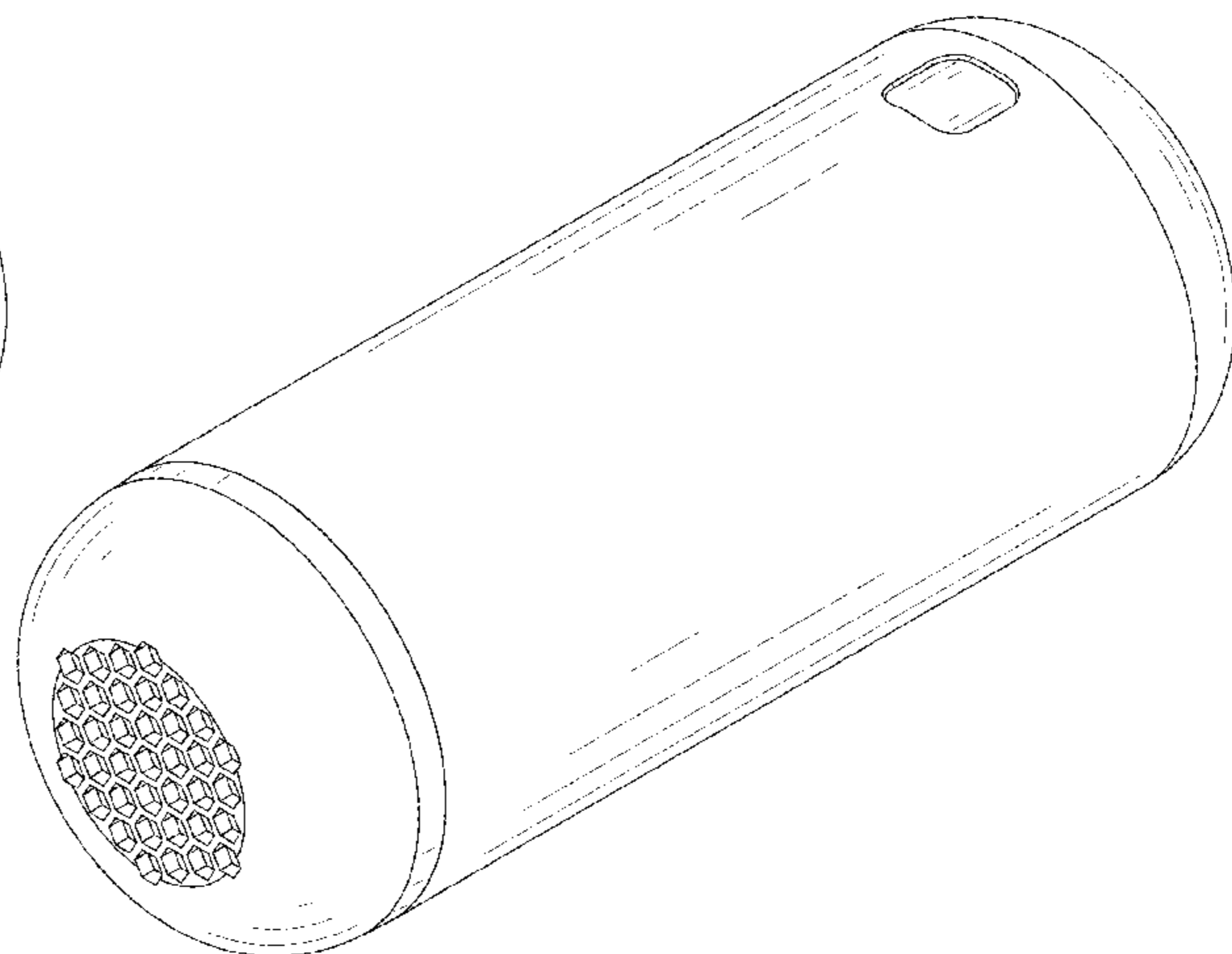
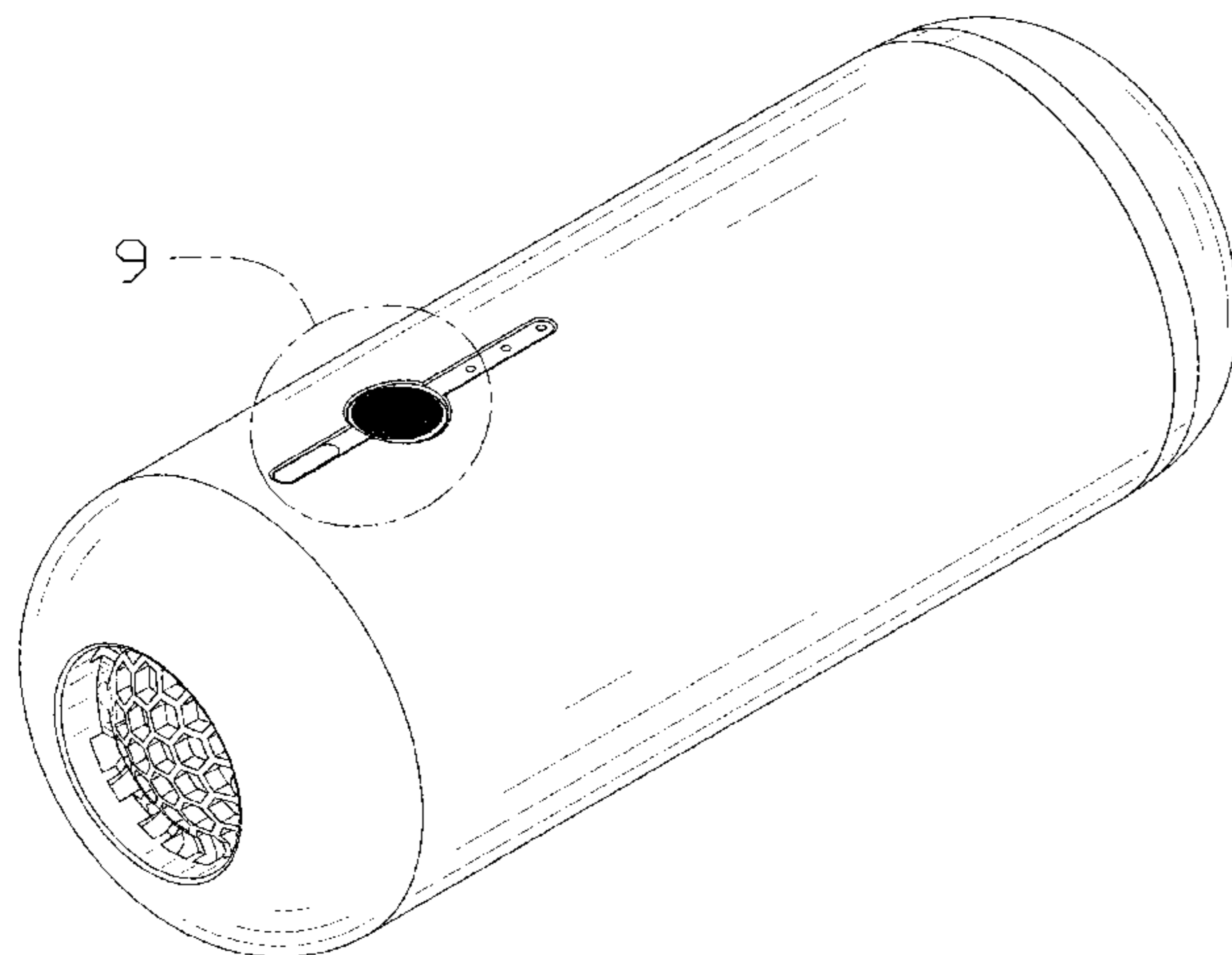
(57) **CLAIM**

The ornamental design for a vacuum machine as shown and described.

**DESCRIPTION**

FIG. 1 is a perspective view of a vacuum machine showing my new design;  
FIG. 2 is another perspective view thereof;  
FIG. 3 is a front elevational view thereof;  
FIG. 4 is a rear elevational view thereof;  
FIG. 5 is a left side elevational view thereof;  
FIG. 6 is a right side elevational view thereof;  
FIG. 8 is a bottom plan view thereof;  
FIG. 7 is a top plan view thereof; and,  
FIG. 9 is an enlarged view of portion 9 shown in FIG. 1.  
The broken lines in the drawings depict portions of the vacuum machine that form no part of the claimed design. The broken line encircling the enlargement forms no part of the claimed design.

**1 Claim, 9 Drawing Sheets**



(56)

References Cited

U.S. PATENT DOCUMENTS

2,464,401 A \* 3/1949 Kelly ..... A47L 9/22  
 415/201  
 D153,271 S \* 4/1949 Ernof ..... D32/24  
 D158,134 S \* 4/1950 Schory ..... D32/24  
 D158,441 S \* 5/1950 Cherry ..... D32/24  
 D175,495 S \* 9/1955 Conord ..... D32/24  
 2,848,731 A \* 8/1958 Tamarin ..... A47L 9/26  
 15/323  
 D214,083 S \* 5/1969 Aligood, Jr. .... D32/21  
 D303,856 S \* 10/1989 Yuen ..... D32/18  
 5,329,778 A \* 7/1994 Padamsee ..... A47J 41/0044  
 215/13.1  
 D371,304 S \* 7/1996 Onneweer ..... D7/511  
 D429,118 S \* 8/2000 Hurlbut ..... D7/608  
 D438,376 S \* 3/2001 Marshall ..... D3/257  
 D528,576 S \* 9/2006 Chung ..... D16/202  
 D536,700 S \* 2/2007 Landau ..... D14/480.5  
 D611,355 S \* 3/2010 Kim ..... D9/540  
 D661,192 S \* 6/2012 Hwang ..... D9/504  
 D675,100 S \* 1/2013 Herbst ..... D9/504  
 D728,649 S \* 5/2015 Hassan ..... D15/144  
 D736,563 S \* 8/2015 George ..... D7/510  
 9,992,575 B2 \* 6/2018 Wang ..... H04R 31/006

D838,141 S \* 1/2019 Bertsch ..... D7/510  
 D856,087 S \* 8/2019 Adams, Jr. .... D7/523  
 D868,402 S \* 11/2019 Luo ..... D32/18  
 D871,844 S \* 1/2020 Adams, Jr. .... D7/510  
 D899,719 S \* 10/2020 Liu ..... D32/21  
 D900,765 S \* 11/2020 Yi ..... D14/216  
 D905,012 S \* 12/2020 Lee ..... D14/216  
 D907,962 S \* 1/2021 Kim ..... D7/523

OTHER PUBLICATIONS

Baseus Handheld Vacuum Cordless, available in Amazon.co.uk, date 1st available Mar. 24, 2021 [online], [site visited May 28, 2021], Available from the internet URL: (Year: 2021) [https://www.amazon.co.uk/Baseus-Handheld-Cordless-Portable-Rechargeable/dp/B08ZNIHZNL/ref=sr\\_1\\_4?dchild=1&keywords=Baseus+Handheld+Vacuum+Cordless%2C&qid=1622581378&s=kitchen&sr=1-4](https://www.amazon.co.uk/Baseus-Handheld-Cordless-Portable-Rechargeable/dp/B08ZNIHZNL/ref=sr_1_4?dchild=1&keywords=Baseus+Handheld+Vacuum+Cordless%2C&qid=1622581378&s=kitchen&sr=1-4) (Year: 2021).\*

MANLI Car Vacuum Cleaner Cordless Rechargeable, date first available Dec. 23, 2019 [online], [site visited May 28, 2021], Available from the internet URL: [https://www.amazon.co.uk/Elgary-Cordless-Handheld-cleaner-Portable/dp/B0831CGL3K/ref=psdc\\_3147731\\_t4\\_B07R77VTCF](https://www.amazon.co.uk/Elgary-Cordless-Handheld-cleaner-Portable/dp/B0831CGL3K/ref=psdc_3147731_t4_B07R77VTCF) (Year: 2019).\*

\* cited by examiner

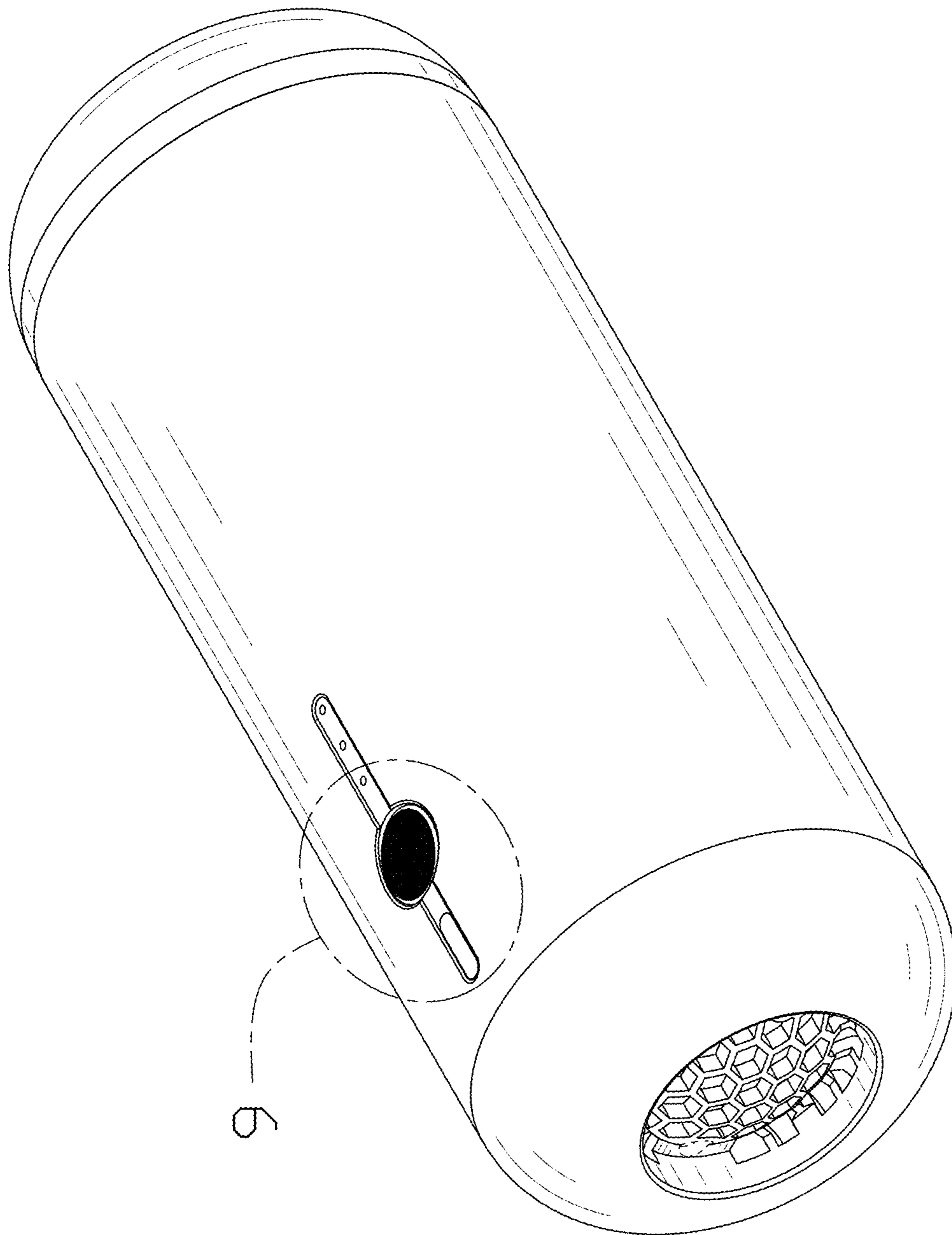


FIG. 1

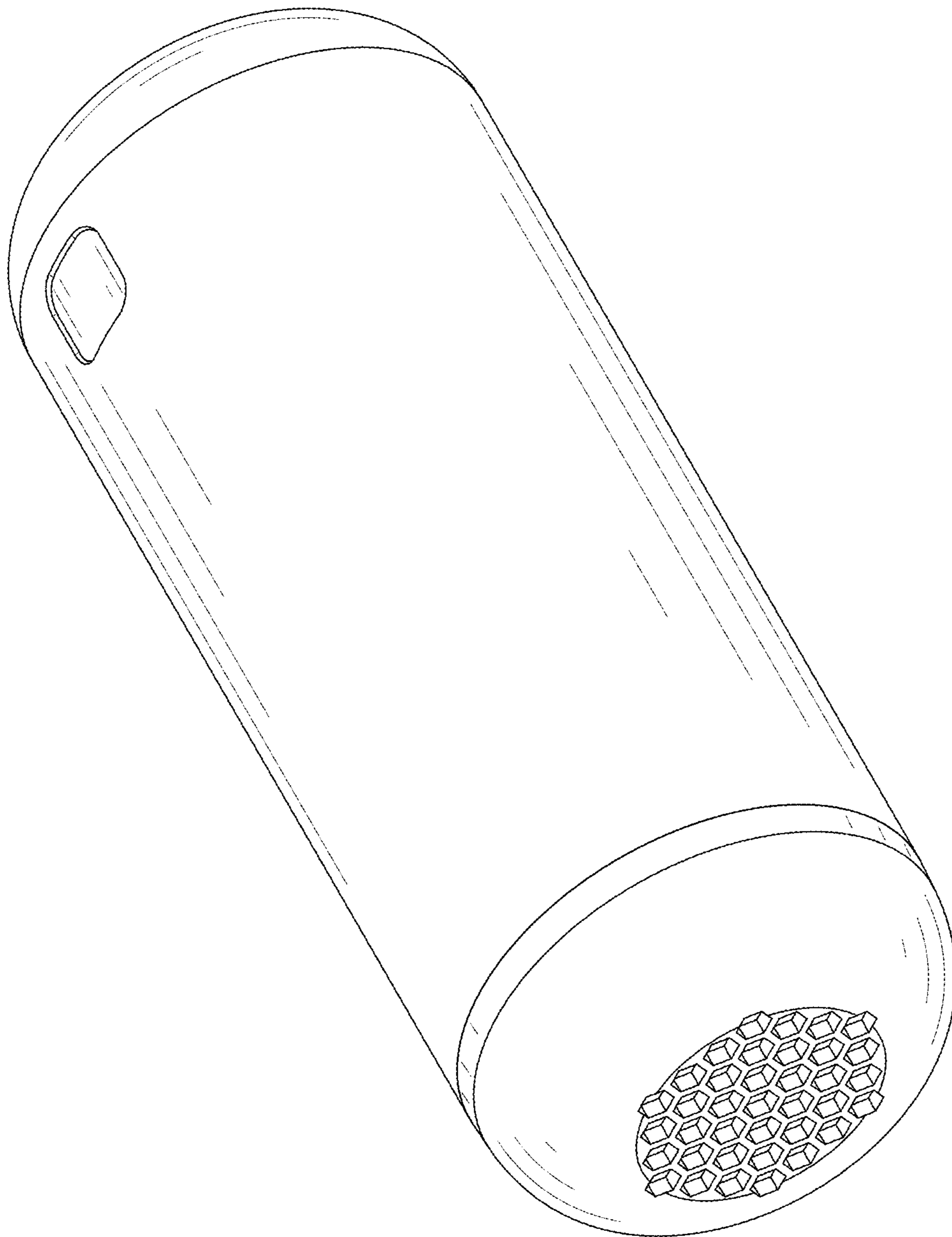


FIG. 2

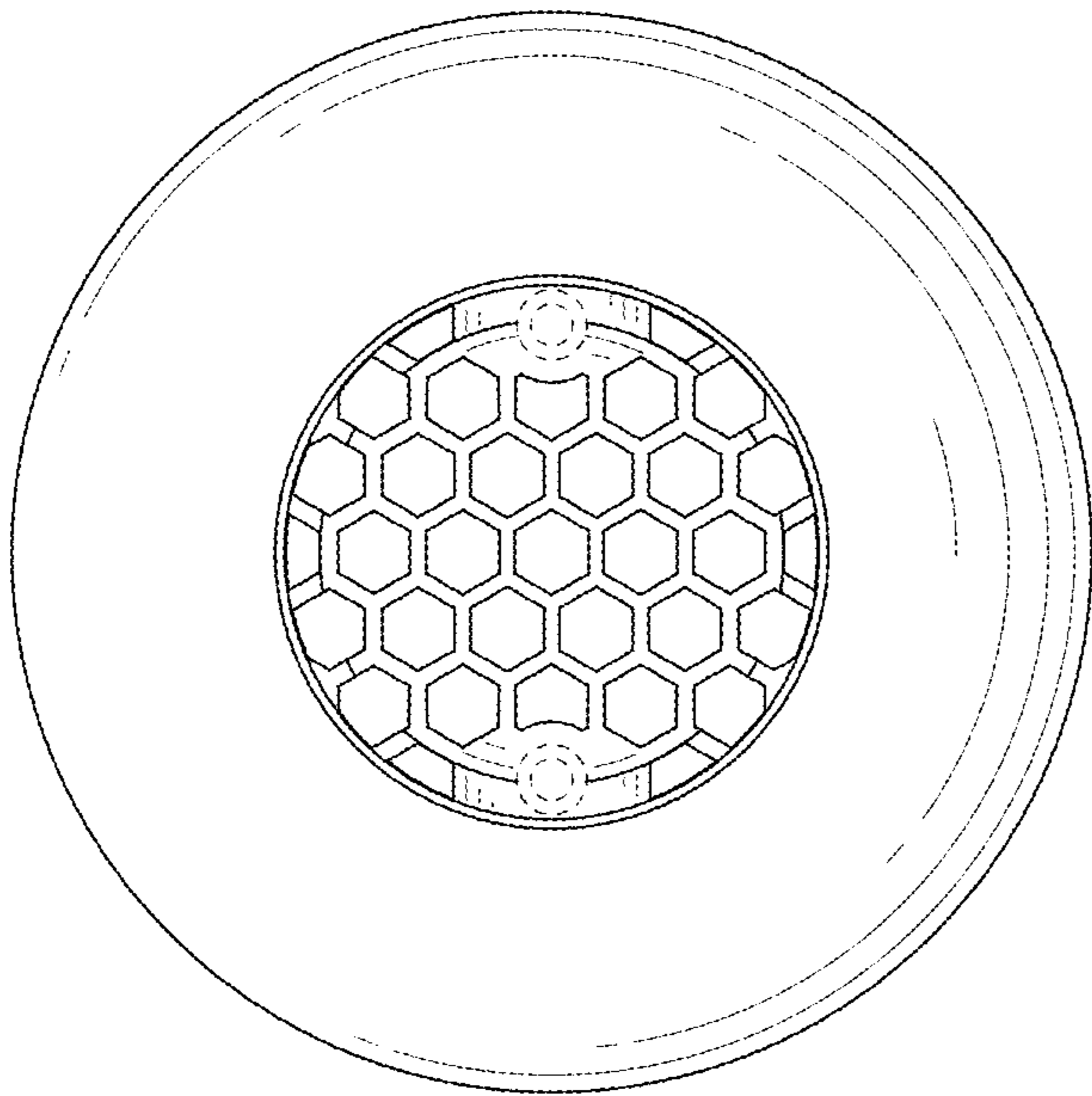


FIG. 3

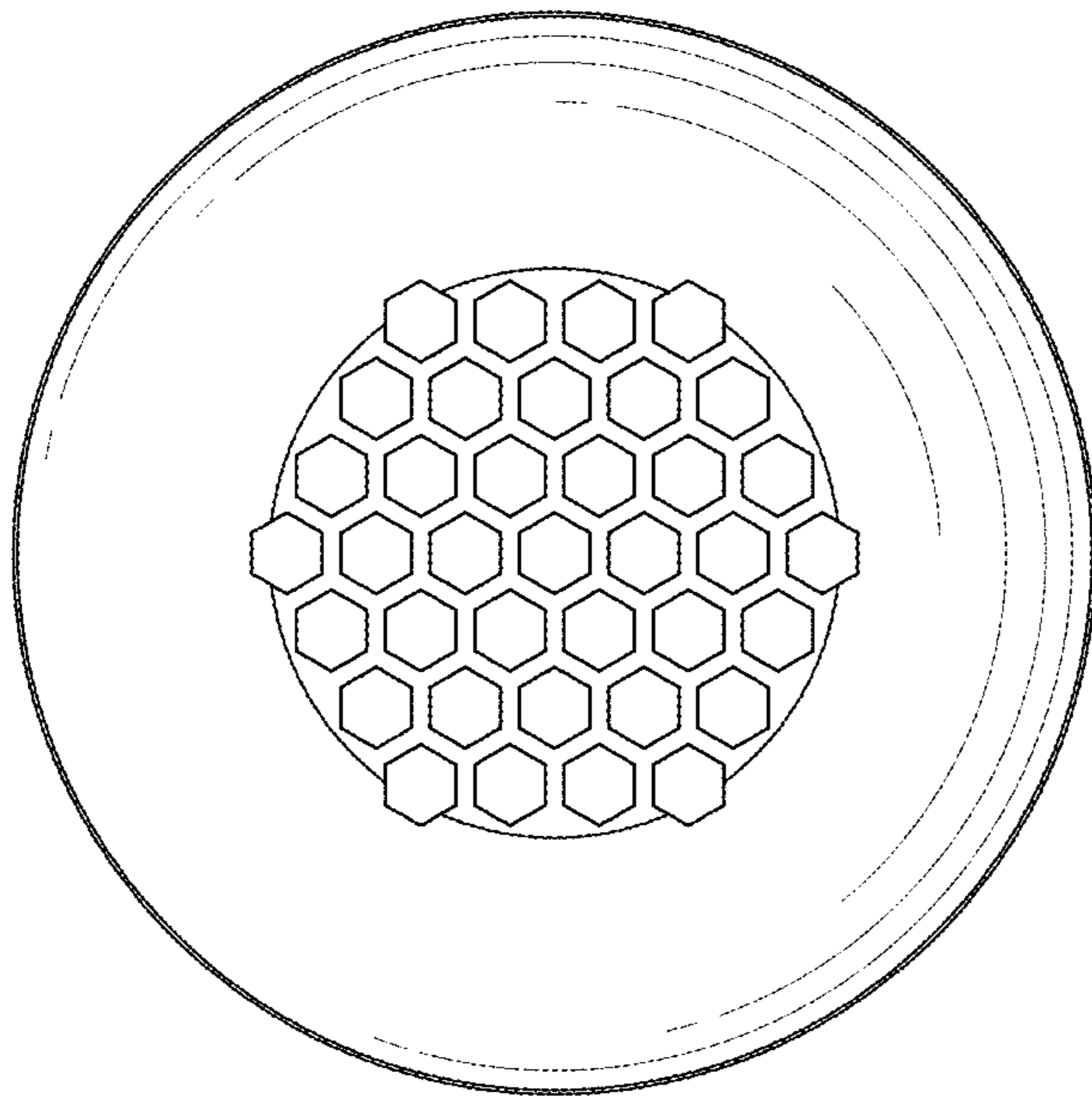


FIG. 4

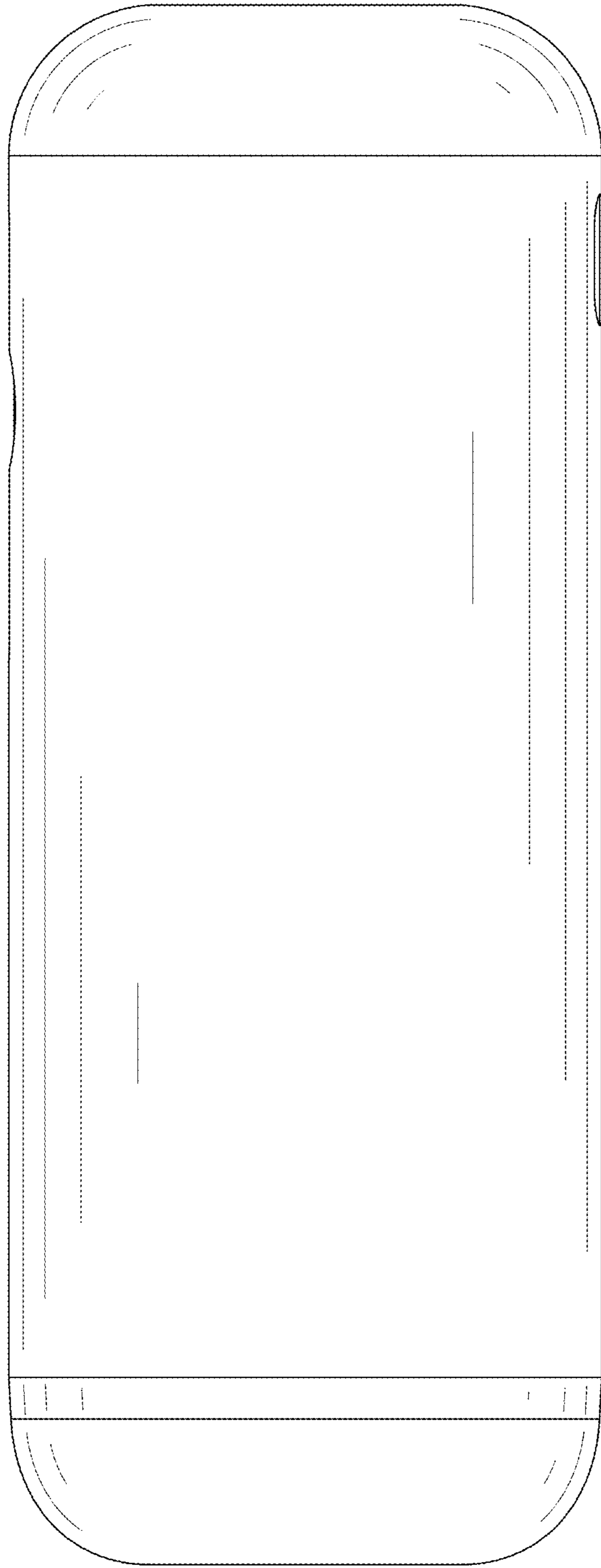


FIG. 5

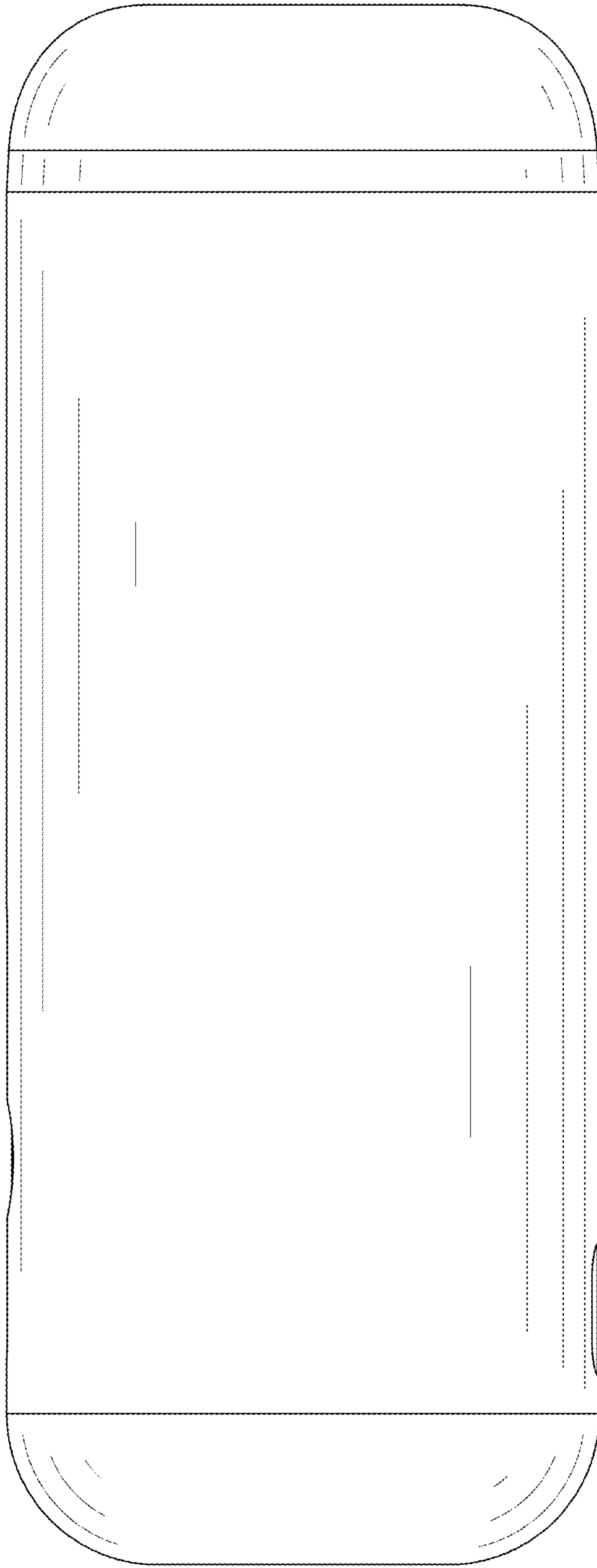


FIG. 6



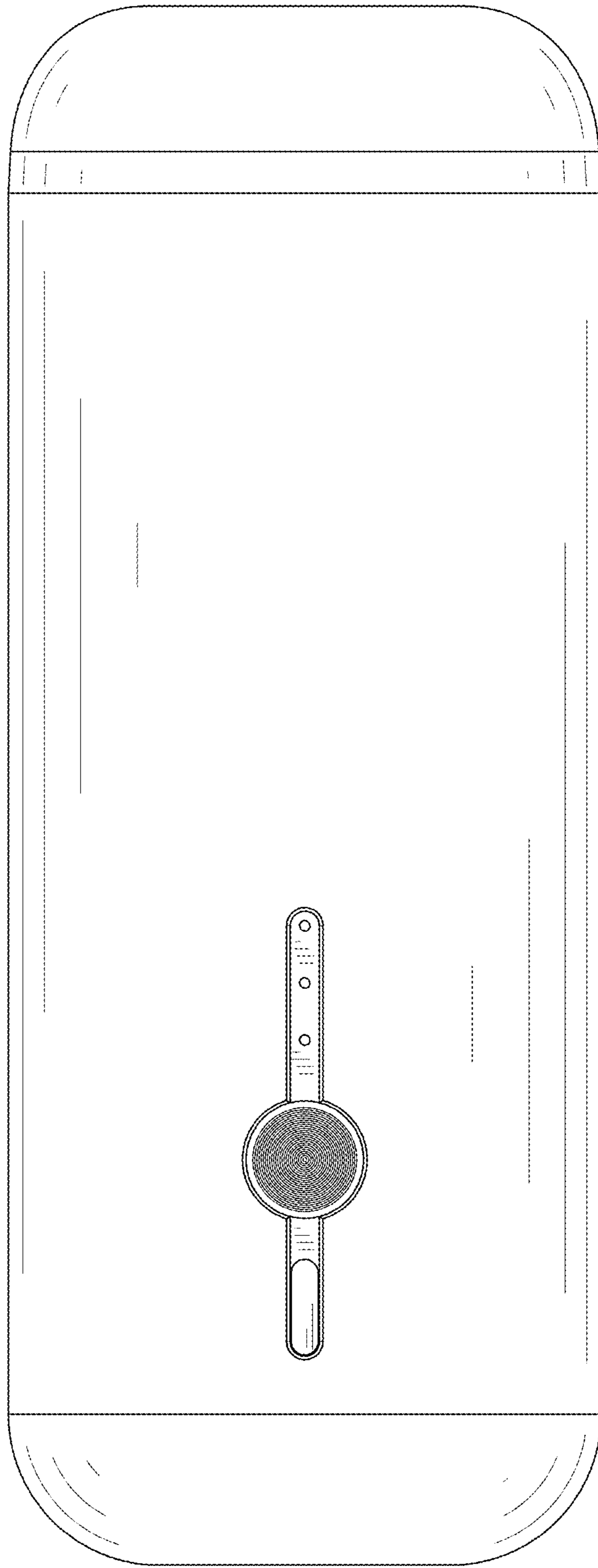


FIG. 7

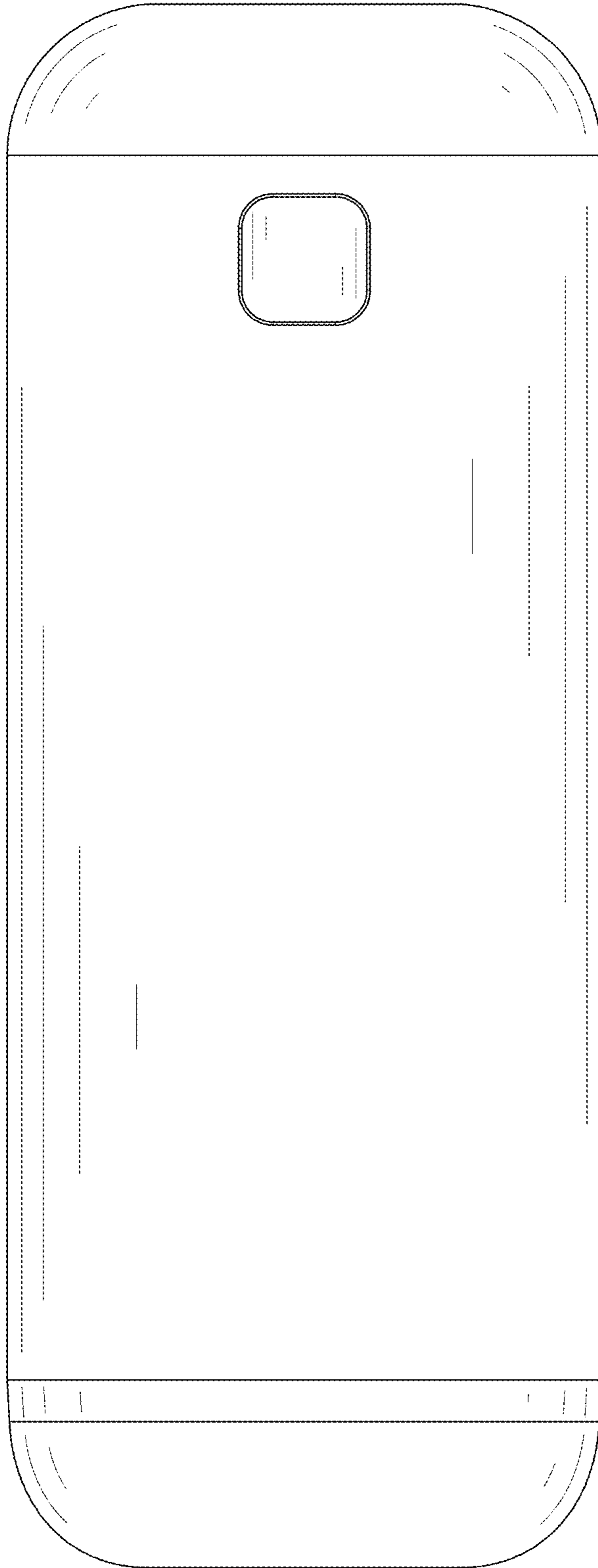


FIG. 8

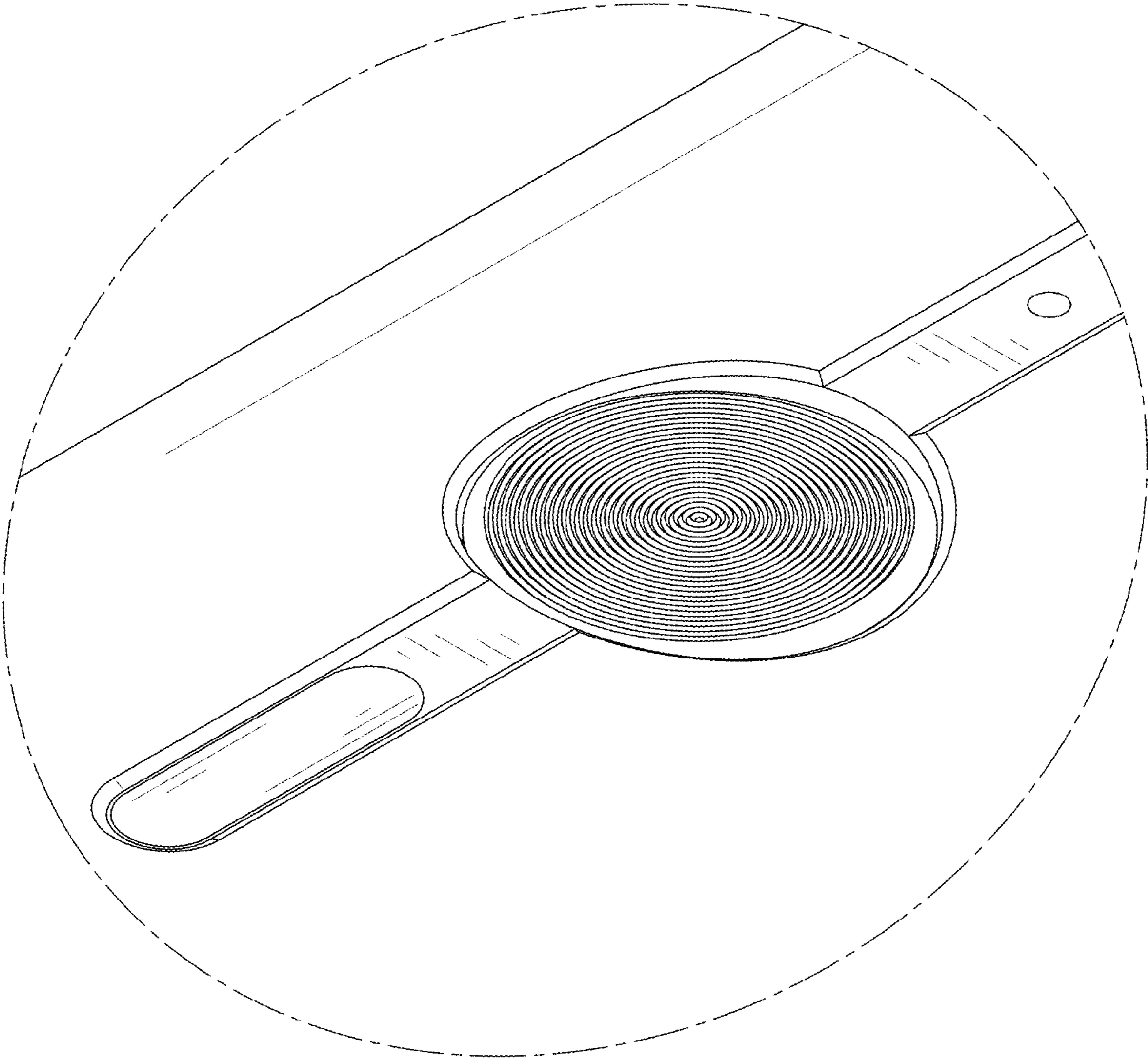


FIG. 9