

US00D926401S

(12) **United States Design Patent**
Knapp et al.

(10) **Patent No.:** **US D926,401 S**
(45) **Date of Patent:** **** Jul. 27, 2021**

(54) **VACUUM CLEANER**

FOREIGN PATENT DOCUMENTS

(71) Applicant: **BISSELL Inc.**, Grand Rapids, MI (US)

CN 302726068 * 1/2014
CN 302974171 * 10/2014

(72) Inventors: **Mackenzie L. Knapp**, Saranac, MI (US); **Derek E. Smith**, Grand Rapids, MI (US)

(Continued)

(73) Assignee: **BISSELL Inc.**, Grand Rapids, MI (US)

(**) Term: **15 Years**

(21) Appl. No.: **29/687,175**

(22) Filed: **Apr. 11, 2019**

(51) **LOC (13) Cl.** **15-05**

(52) **U.S. Cl.**

USPC **D32/22**

(58) **Field of Classification Search**

USPC D32/17, 18, 21, 22, 23, 24, 31; D21/526
CPC A46B 9/06; A47L 5/24; A47L 5/28; A47L 5/30; A47L 5/34; A47L 7/0004; A47L 9/04; A47L 9/325; A47L 9/1683; A47L 11/302; A47L 11/34; A47L 11/4005; A47L 11/4008; A47L 11/4016; A47L 11/4041; A47L 11/4044; A47L 11/4088; A47L 13/225; B04C 5/185; B08B 3/04; B23Q 11/0046; B23Q 11/0071; E04H 4/1636

See application file for complete search history.

(56) **References Cited**

U.S. PATENT DOCUMENTS

D730,001 S * 5/2015 Yun D32/22
D759,919 S * 6/2016 Smith D32/31
D789,626 S * 6/2017 Bloemendaal D32/22
D821,047 S * 6/2018 Wrobleski D32/31
D824,615 S * 7/2018 Bloemendaal D32/22
D874,762 S * 2/2020 Tang D32/22
10,791,900 B2 * 10/2020 Tran A47L 9/0494
10,827,888 B2 * 11/2020 Morrow A47L 9/04
D910,945 S * 2/2021 Miller D32/31
D917,810 S * 4/2021 Knapp D32/22
10,966,586 B2 * 4/2021 Luyckx A47L 11/4088

(Continued)

OTHER PUBLICATIONS

BISSELL PowerLifter Swivel Bagless Upright Vacuum, available in Walmart.com, customer review oldest date Aug. 19, 2018[online],[site visited Feb. 12, 2021], Available from URL: <https://www.walmart.com/ip/BISSELL-PowerLifter-Pet-with-Swivel-Bagless-Upright-Vacuum-2260/561614871?w113=5129&selectedSellerId=0> (Year: 2018).*

(Continued)

Primary Examiner — Dana K Weiland
Assistant Examiner — Jennylou M Binas

(74) *Attorney, Agent, or Firm* — Warner Norcross + Judd LLP

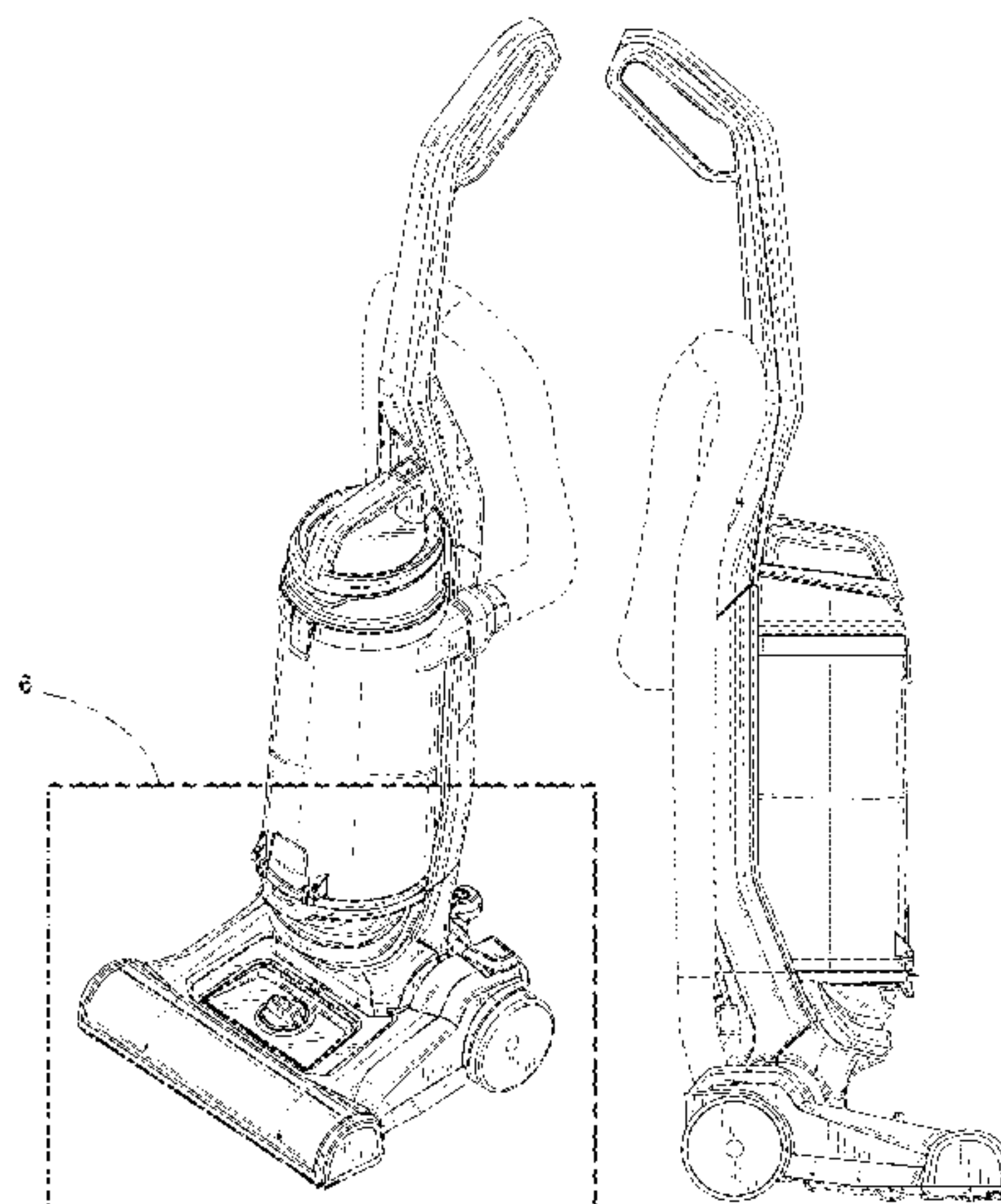
(57) **CLAIM**

The ornamental design for a vacuum cleaner, as shown and described.

DESCRIPTION

FIG. 1 is a front perspective view of a vacuum cleaner showing our new design;
FIG. 2 is a front view thereof;
FIG. 3 is a left side view thereof;
FIG. 4 is a right side view thereof;
FIG. 5 is an enlarged top view of the vacuum cleaner;
FIG. 6 is an enlarged view of the vacuum cleaner shown within the area designated as 6 in FIG. 1; and,
FIG. 7 is an enlarged view of the vacuum cleaner shown within the area designated as 7 in FIG. 2.
The details of the vacuum cleaner shown in broken lines form no part of the claimed design.

1 Claim, 7 Drawing Sheets



(56)

References Cited

U.S. PATENT DOCUMENTS

10,986,968	B2 *	4/2021	Kasper	A47L 9/0411
11,013,389	B2 *	5/2021	Resch	A47L 11/4041
2013/0117961	A1 *	5/2013	Doerfler	A47L 5/28 15/323
2014/0013537	A1 *	1/2014	Kasper	A47L 9/24 15/353
2015/0059123	A1 *	3/2015	Kasper	A47L 9/0633 15/383
2015/0074939	A1 *	3/2015	Cipolla	A47L 5/30 15/354
2015/0143659	A1 *	5/2015	Pilch	A47L 9/325 15/347
2016/0037987	A1 *	2/2016	Caro	A47L 9/04 15/334
2016/0270610	A1 *	9/2016	Kasper	A47L 9/0411
2016/0367093	A1 *	12/2016	VanTongeren	A47L 5/30
2017/0119225	A1 *	5/2017	Xia	A47L 5/28
2017/0135540	A1 *	5/2017	Newsom	A47L 9/04
2018/0177368	A1 *	6/2018	Acker	A47L 9/165
2019/0059673	A1 *	2/2019	Tran	A47L 9/0494
2020/0046189	A1 *	2/2020	Casella	A47L 9/1616
2021/0007568	A1 *	1/2021	Tran	A47L 9/122
2021/0038046	A1 *	2/2021	Pruiett	A47L 9/02
2021/0045598	A1 *	2/2021	Krebs	A47L 9/0472
2021/0045602	A1 *	2/2021	Lee	A47L 9/1691
2021/0045606	A1 *	2/2021	Xia	A47L 5/30
2021/0052118	A1 *	2/2021	Morrow	A47L 9/04
2021/0137332	A1 *	5/2021	Kasper	A47L 9/0666
2021/0153708	A1 *	5/2021	Xia	A47L 11/4008

FOREIGN PATENT DOCUMENTS

CN	303479948	* 12/2015
CN	303579405	* 2/2016
CN	303806074	* 8/2016

OTHER PUBLICATIONS

Eureka NEU182B, available in Amazon.com, customer review oldest date Feb. 4, 2020 [online], [site visited Jan. 12, 2021], Available from the internet URL: https://www.amazon.com/Eureka-PowerSpeed-Bagless-Upright-Cleaner/dp/B083C2DTKX/ref=cm_cr_ar_p_d_product_top?ie=UTF8&th=1 (Year: 2020).*

Hoover WindTunnel Upright Vacuum, available in Amazon.com, customer review oldest date May 5, 2019 [online], [site visited Jan. 12, 2021], URL: https://www.amazon.com/Hoover-WindTunnel-Performance-Powerful-UH72625/dp/B07MFM81RX/ref=cm_cr_ar_p_d_product_top?ie=UTF8 (Year: 2019).*

BISSELL Cleanview Bagless Vacuum Cleaner, available in Amazon.com, customer review oldest date Jan. 19, 2019 [online], [site visited Jan. 12, 2021], Available from the internet URL: https://www.amazon.com/BISSELL-Cleanview-Bagless-Cleaner-2486/dp/B07L69RL4B/ref=cm_cr_ar_p_d_product_top?ie=UTF8&th=1 (Year: 2019).*

BISSELL Cleanview Swivel Pet Vacuum Cleaner, available in Amazon.com, customer review oldest date Sep. 24, 2018 [online], [site visited Jan. 12, 2021], Available from the internet URL: https://www.amazon.com/BISSELL-Cleanview-Upright-Bagless-2252/dp/B07F6N3RT6/ref=cm_cr_ar_p_d_product_top?ie=UTF8 (Year: 2018).*

BISSELL Cleanview Swivel Rewind Pet Vacuum Cleaner, available in Amazon.com, customer review oldest date Oct. 5, 2018 [online], [site visited Jan. 12, 2021], Available from the internet URL: https://www.amazon.com/BISSELL-Cleanview-Upright-Bagless-Cleaner/dp/B07FJ4N2S7/ref=psdc_510110_t3_B07F6N3RT6?th=1 (Year: 2018).*

BISSELL Cleanview Rewind Pet Deluxe Upright Vacuum Cleaner, available in Amazon.com, customer review oldest date Feb. 27, 2019 [online], [site visited Feb. 5, 2021], Available from the internet URL: https://www.amazon.com/dp/B07LGS8CX2/ref=emc_b_5_t?th=1 (Year: 2019).*

* cited by examiner

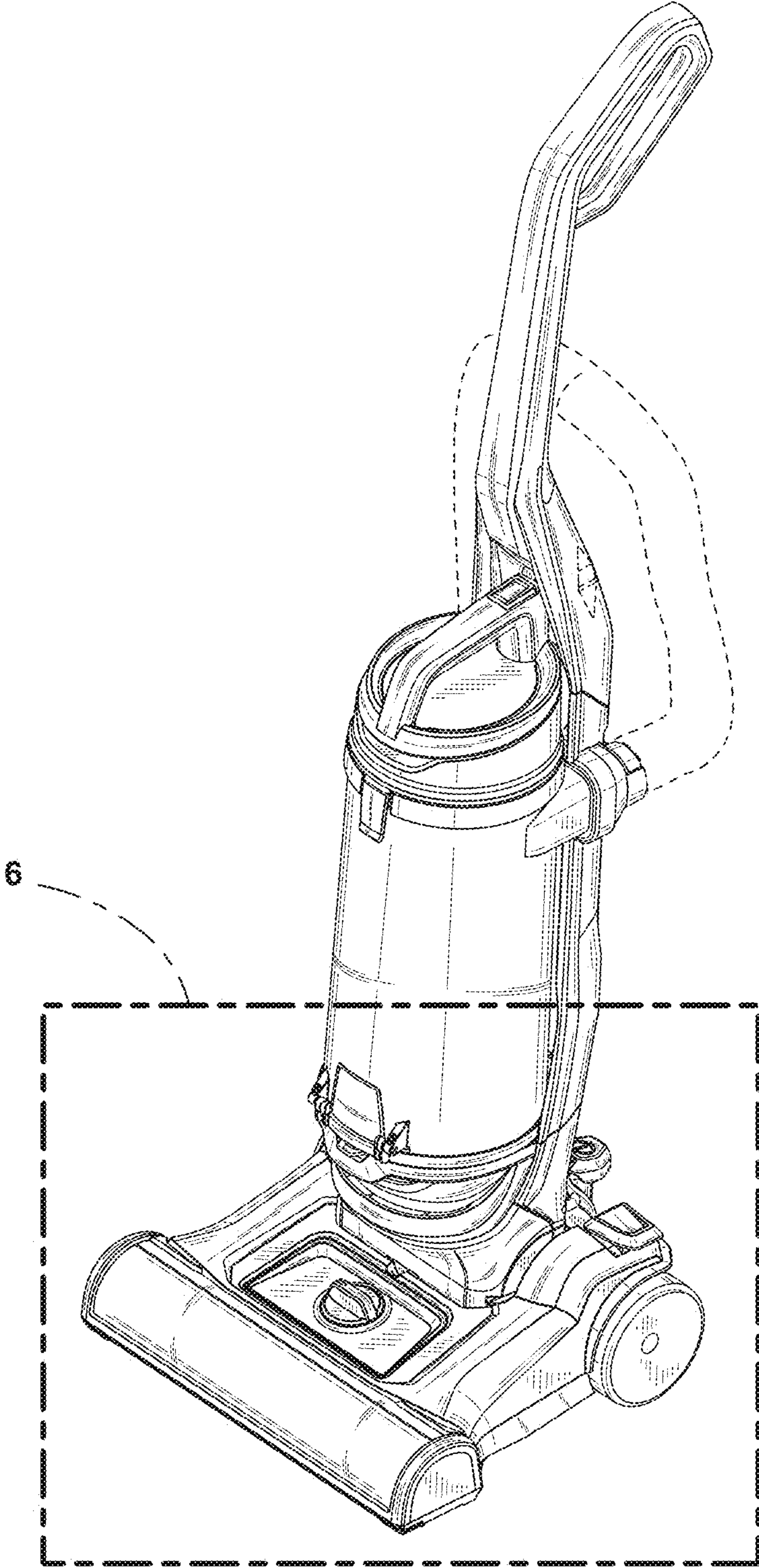


FIG. 1

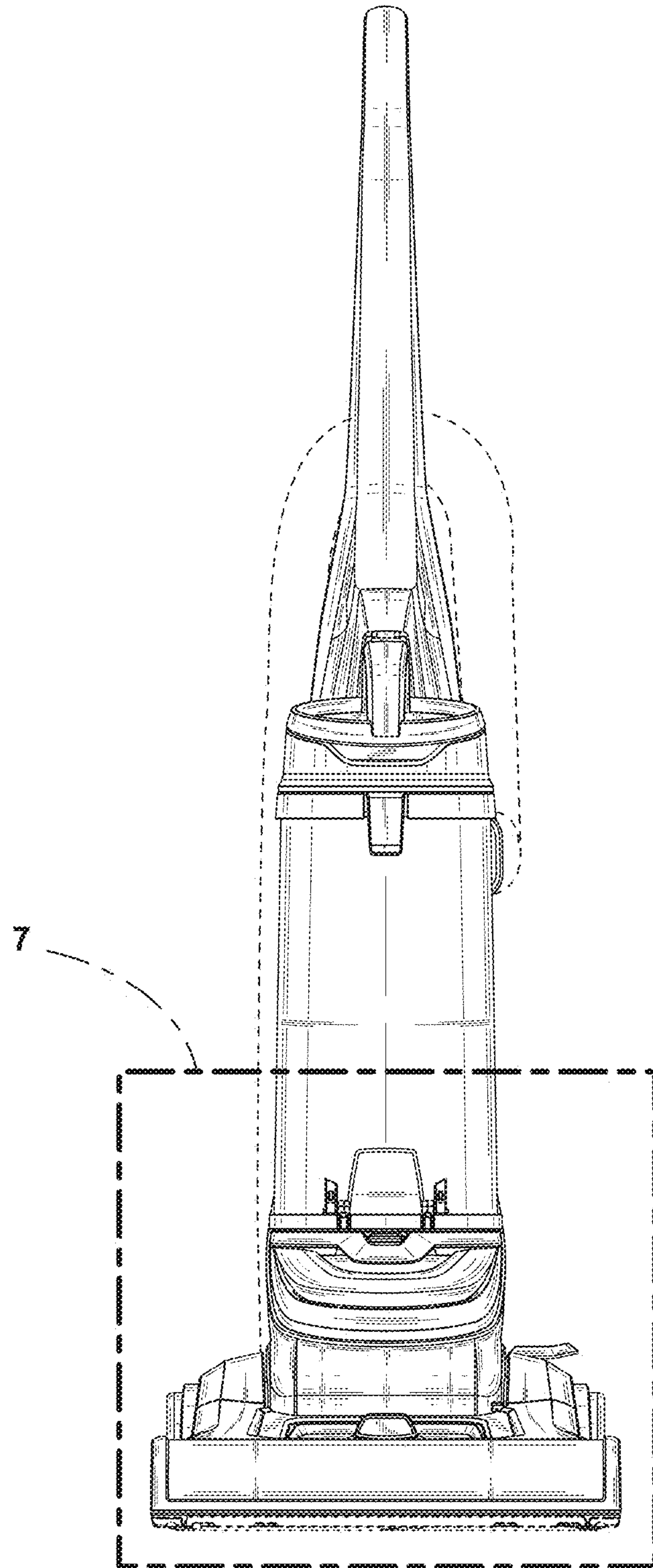


FIG. 2

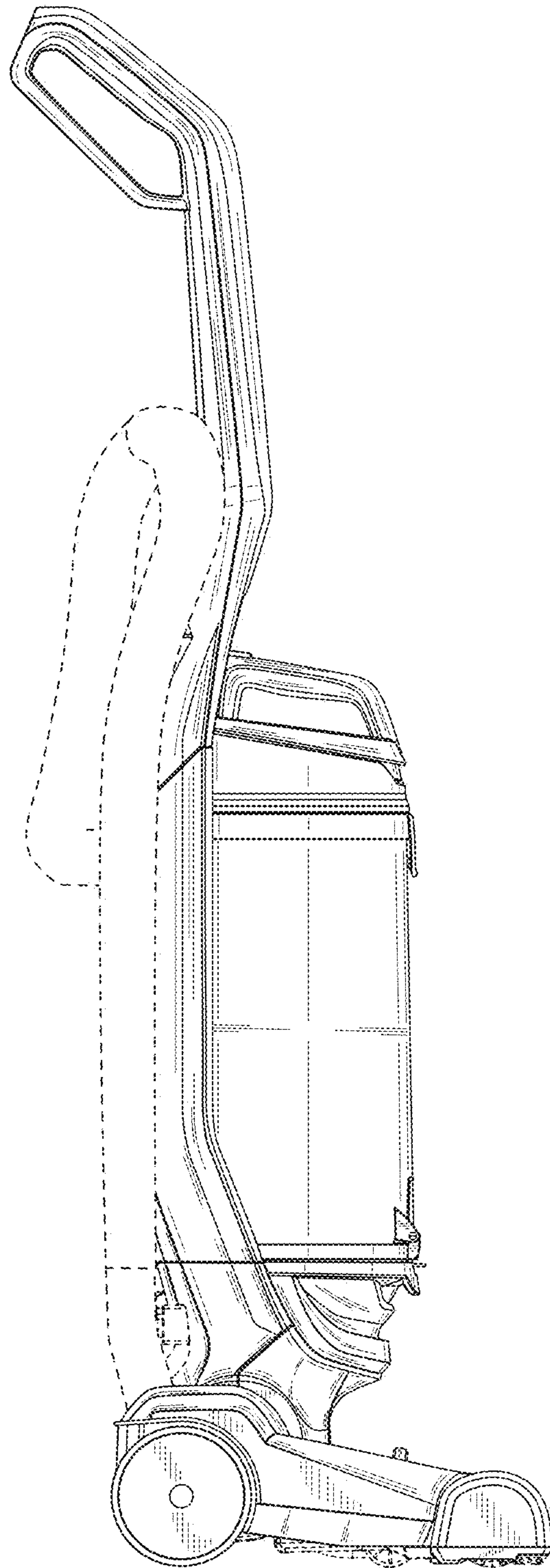


FIG. 3

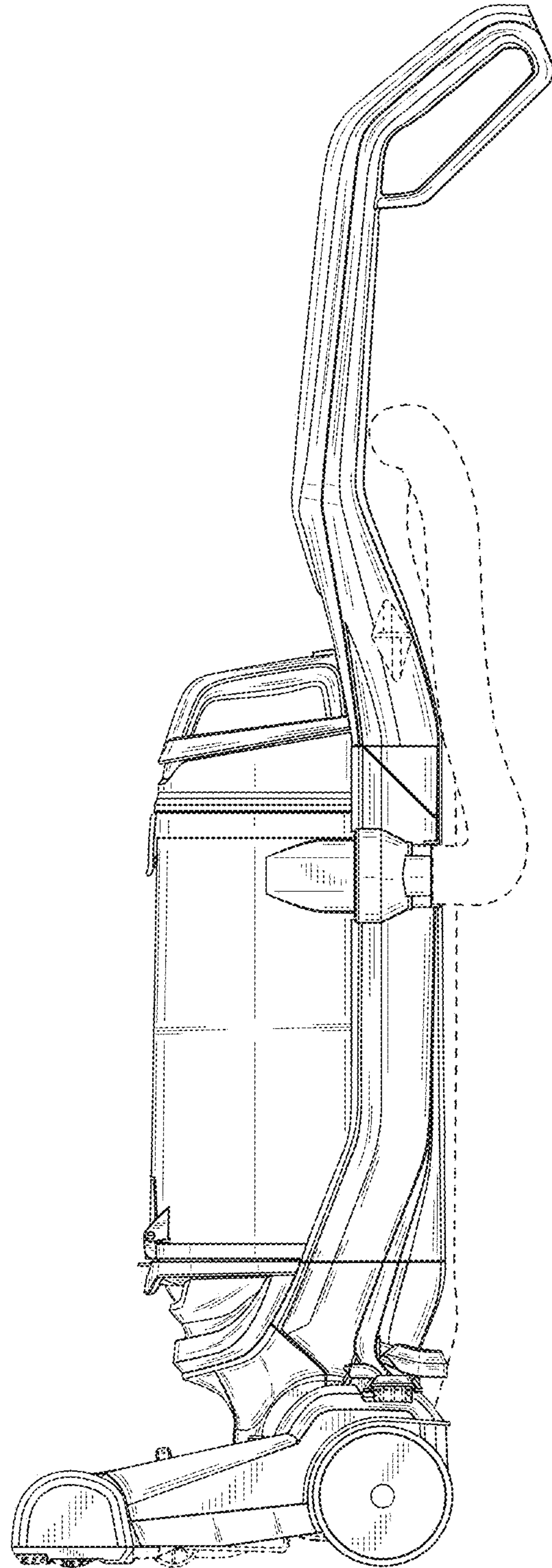


FIG. 4

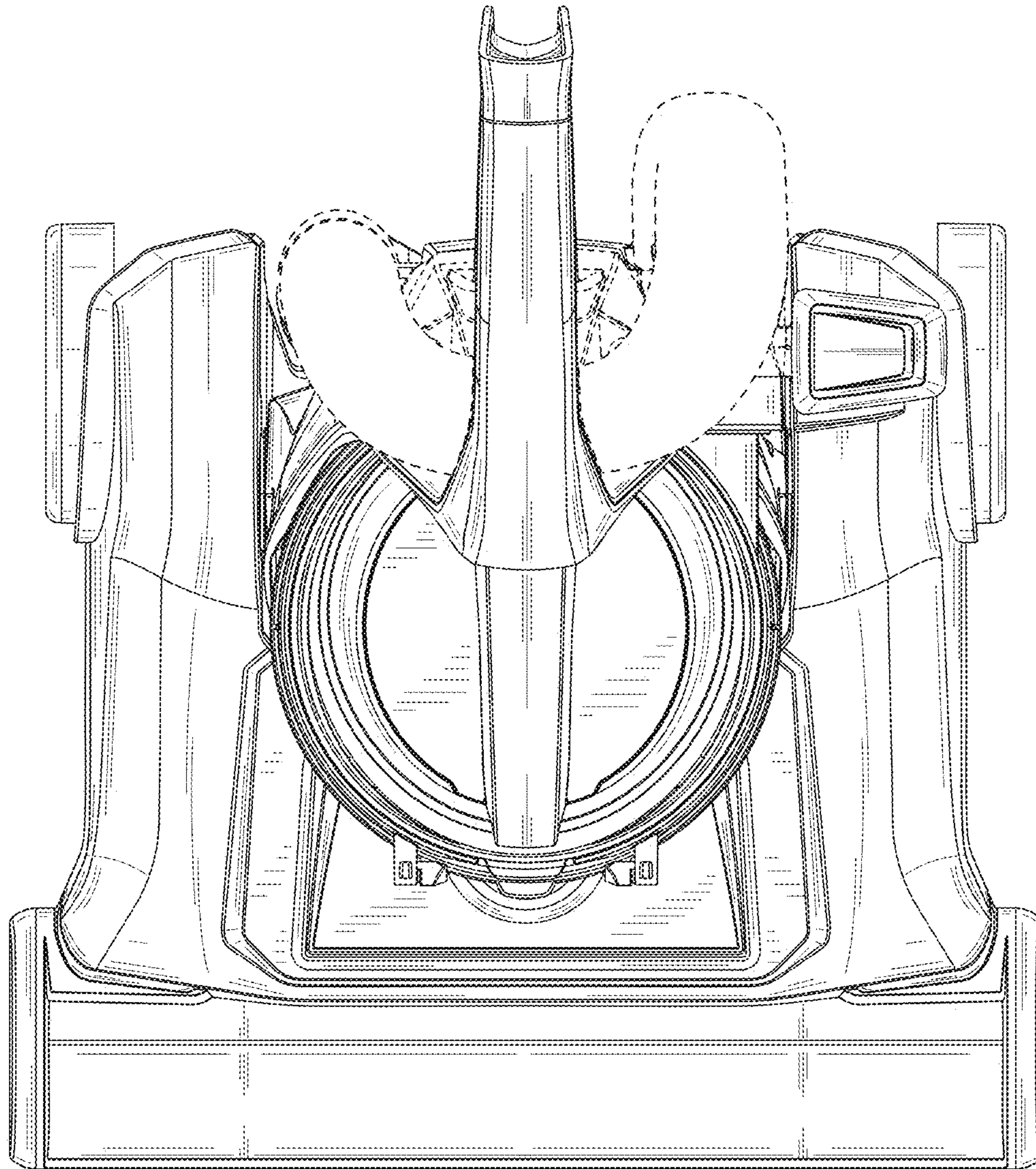


FIG. 5

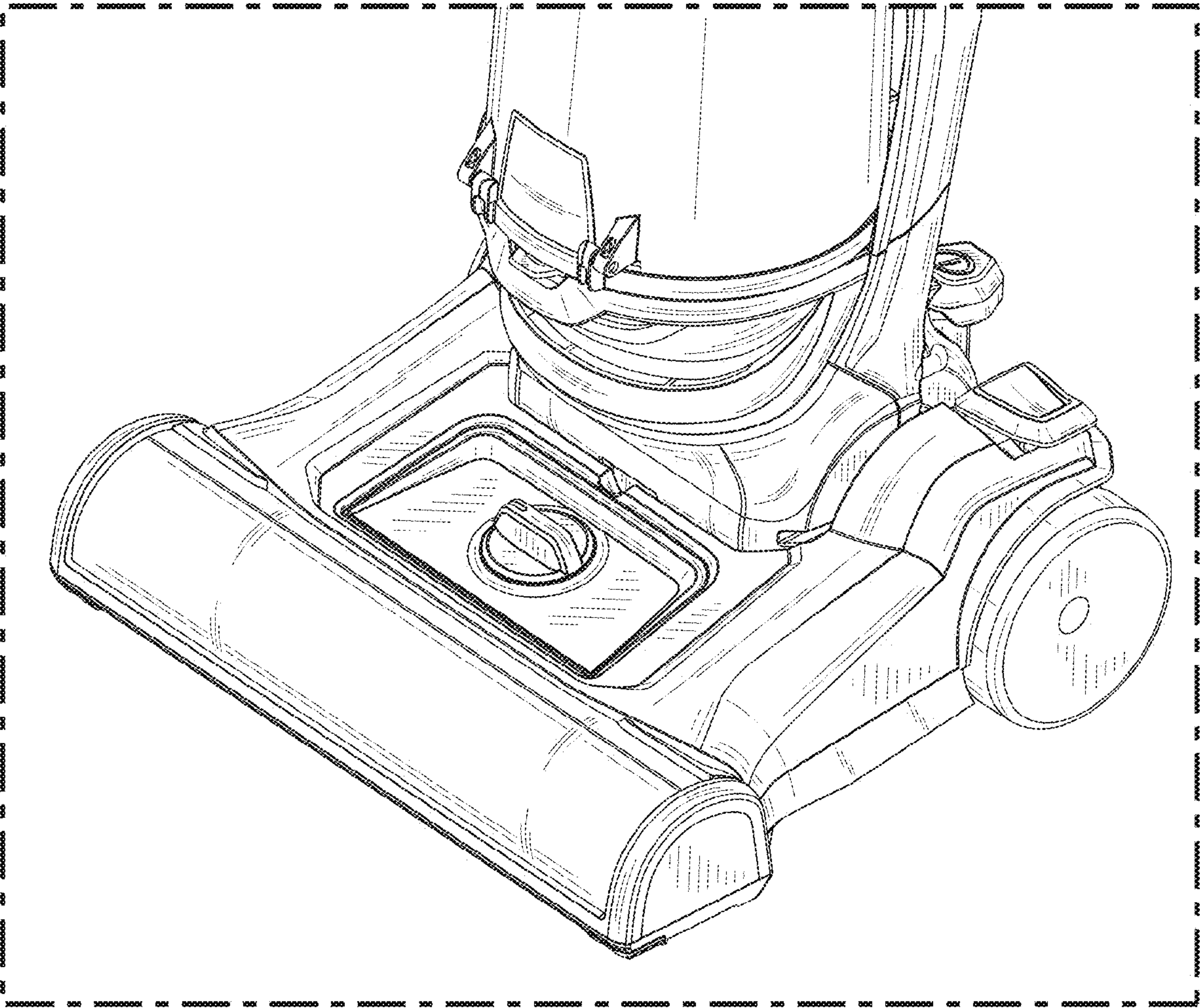


FIG. 6

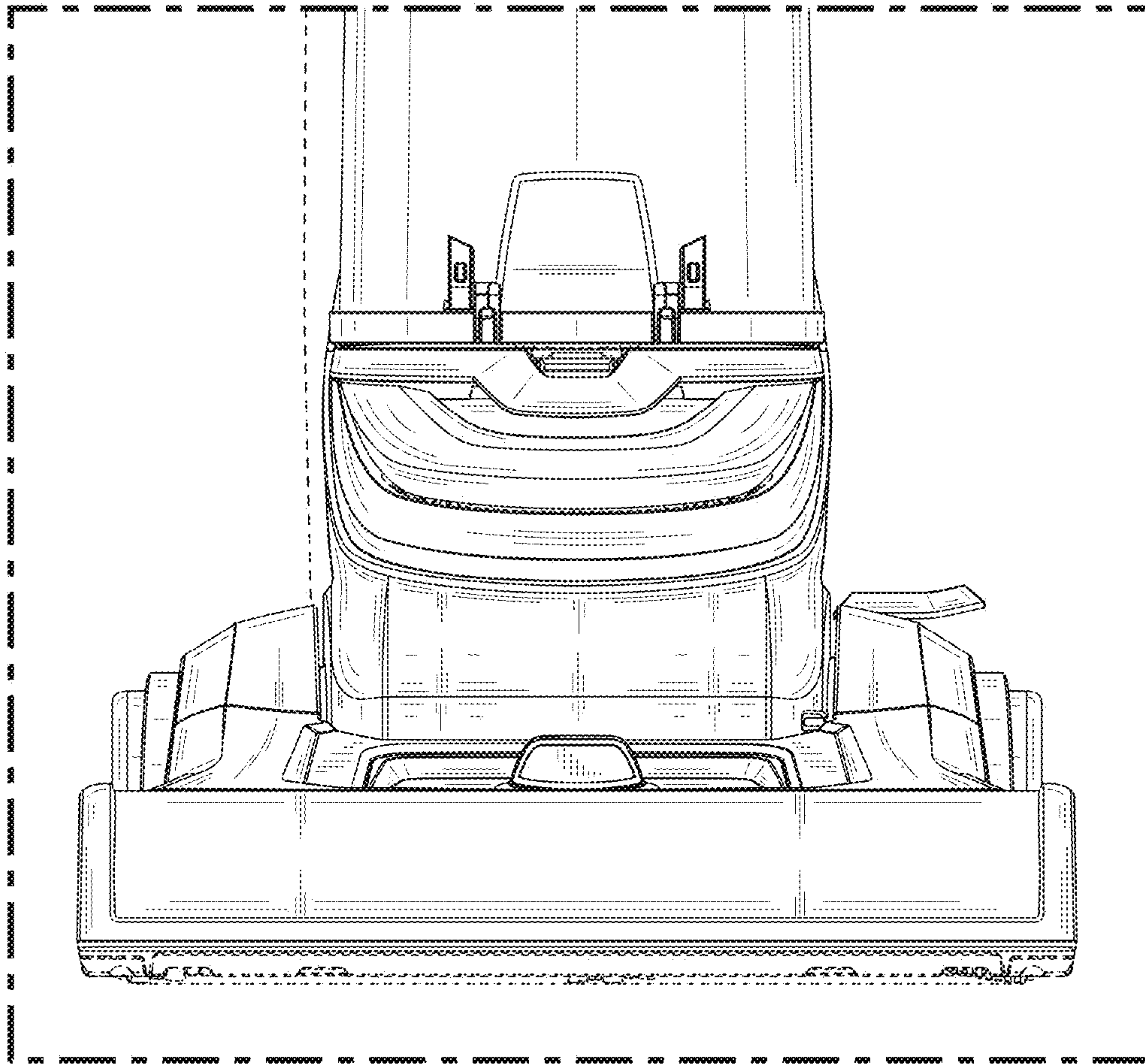


FIG. 7