



US00D926400S

(12) **United States Design Patent** (10) **Patent No.:** **US D926,400 S**  
**Kim et al.** (45) **Date of Patent:** **\*\* Jul. 27, 2021**

(54) **ROBOTIC VACUUM CLEANER**  
(71) Applicant: **LG ELECTRONICS INC., Seoul (KR)**  
(72) Inventors: **Seongmin Kim, Seoul (KR); Seunghyun Song, Seoul (KR); Hoil Jeon, Seoul (KR)**  
(73) Assignee: **LG ELECTRONICS INC., Seoul (KR)**  
(\*\*) Term: **15 Years**

D670,877 S \* 11/2012 Geringer ..... D32/21  
D690,477 S \* 9/2013 Lee ..... D32/21  
D690,478 S \* 9/2013 Li ..... D32/21  
D690,887 S \* 10/2013 Lee ..... D32/21  
D703,397 S \* 4/2014 Sungkyung ..... D32/21  
D714,002 S \* 9/2014 Casini ..... D32/21  
D714,003 S \* 9/2014 Casini ..... D32/21  
D771,332 S \* 11/2016 Verhoorn ..... D32/21  
D771,333 S \* 11/2016 Verhoorn ..... D32/21  
D781,512 S \* 3/2017 Neumann ..... D32/21  
D835,869 S \* 12/2018 Li ..... D32/21  
D843,671 S \* 3/2019 Chei ..... D32/21  
D860,559 S \* 9/2019 Thackray ..... D32/21  
D869,109 S \* 12/2019 Yu ..... D32/21  
D869,797 S \* 12/2019 Chei ..... D32/21  
D870,403 S \* 12/2019 Ebrahimi Afrouzi ..... D32/21  
D870,994 S \* 12/2019 Zhou ..... D32/21

(21) Appl. No.: **35/508,484**  
(22) Filed: **Jul. 29, 2019**

(80) **Hague Agreement Data**  
Int. Filing Date: **Jul. 29, 2019**  
Int. Reg. No.: **DM/204194**  
Int. Reg. Date: **Jul. 29, 2019**  
Int. Reg. Pub. Date: **Jan. 31, 2020**

(Continued)  
*Primary Examiner* — Khawaja Anwar  
(74) *Attorney, Agent, or Firm* — Birch, Stewart, Kolasch & Birch, LLP

(51) **LOC (13) Cl.** ..... **32-03**  
(52) **U.S. Cl.**  
USPC ..... **D32/21**

(57) **CLAIM**

The ornamental design for a robotic vacuum cleaner, as shown and described.

(58) **Field of Classification Search**  
USPC ..... D32/21, 23, 24, 31  
CPC ..... A47L 5/365; A47L 11/4011; A47L 2201/022; A47L 2201/04; A47L 5/14; A47L 5/30; A47L 5/36; A47L 7/0014; A47L 7/0019; A47L 7/04; A47L 9/0027; A47L 9/0036; A47L 9/0045; A47L 9/0081; A47L 9/009; A47L 9/08; A47L 9/14; A47L 9/1608; A47L 9/1675; A47L 9/1691; A47L 9/20; A47L 9/22; A47L 9/244; A47L 9/325  
See application file for complete search history.

**DESCRIPTION**

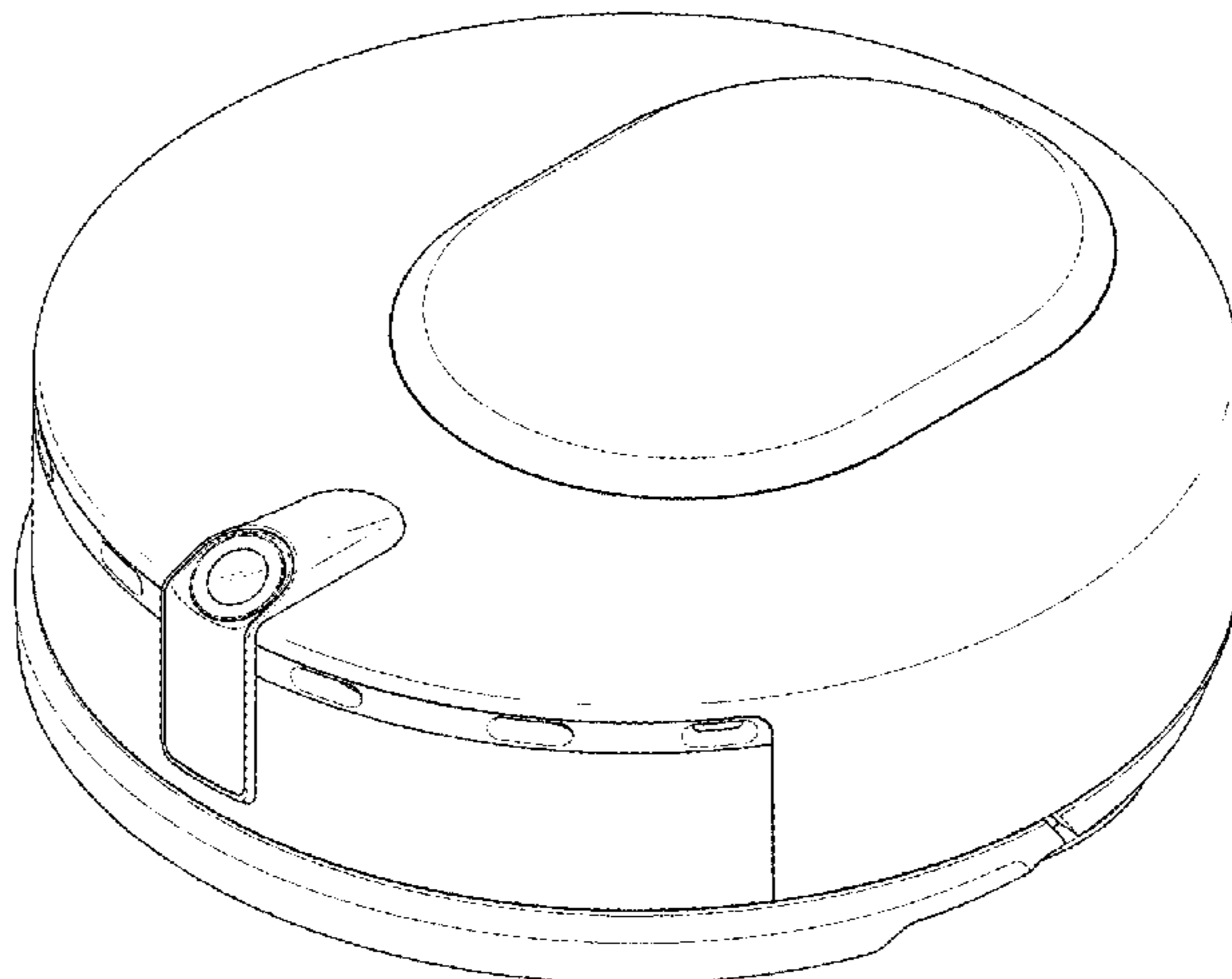
- 1. Robotic vacuum cleaner
- 1.1 : Perspective
- 1.2 : Front
- 1.3 : Back
- 1.4 : Left
- 1.5 : Right
- 1.6 : Top
- 1.7 : Bottom
- 1.8 : Reference

The shaded lines on reproduction 1.3 represent the water tank, which is a transparent material. The broken lines shown in the figures depict portions of the robotic vacuum cleaner that form no part of the claimed design.

(56) **References Cited**  
U.S. PATENT DOCUMENTS

D660,530 S \* 5/2012 Geringer ..... D32/21  
D665,547 S \* 8/2012 Nam ..... D32/21

**1 Claim, 8 Drawing Sheets**



(56)

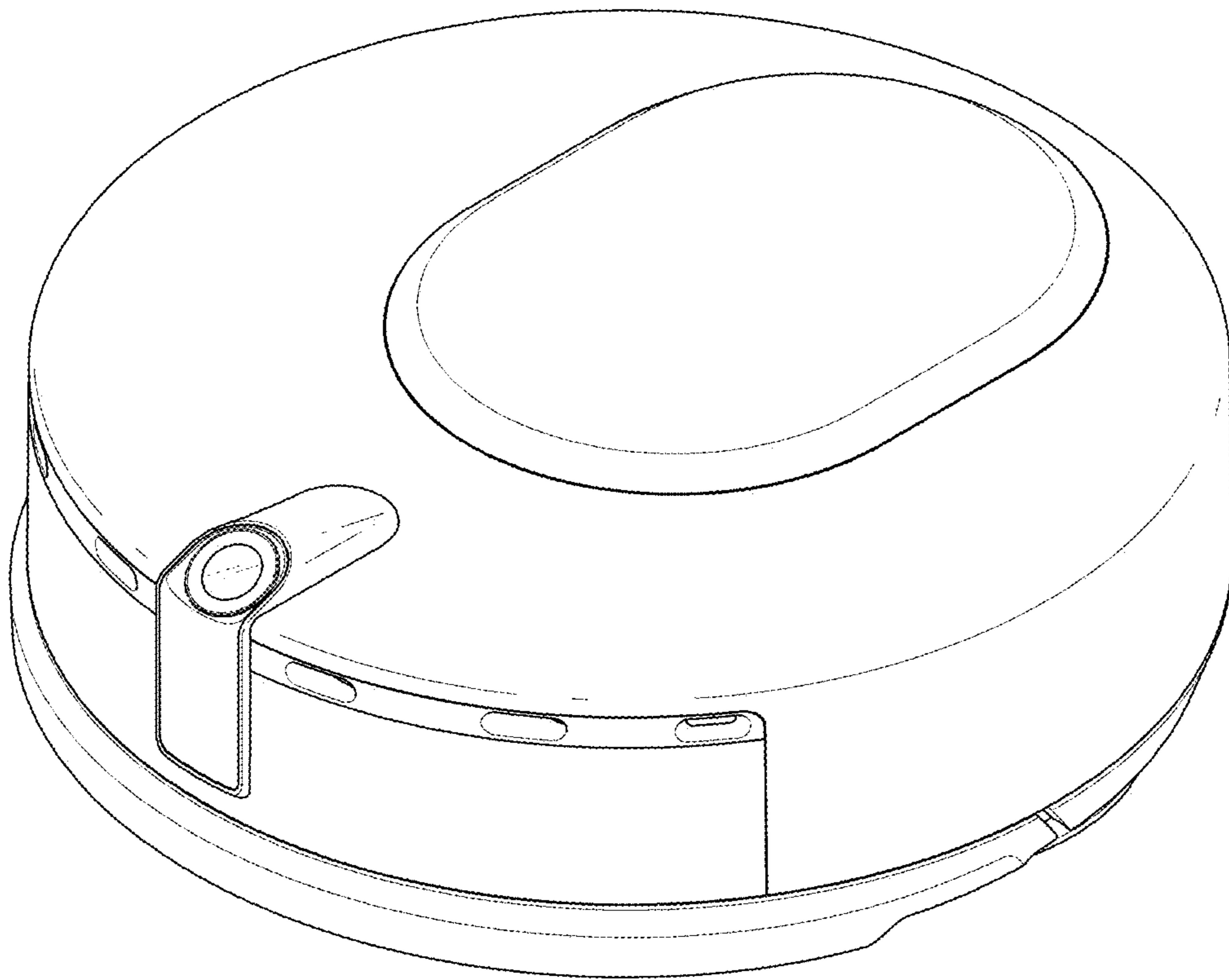
**References Cited**

U.S. PATENT DOCUMENTS

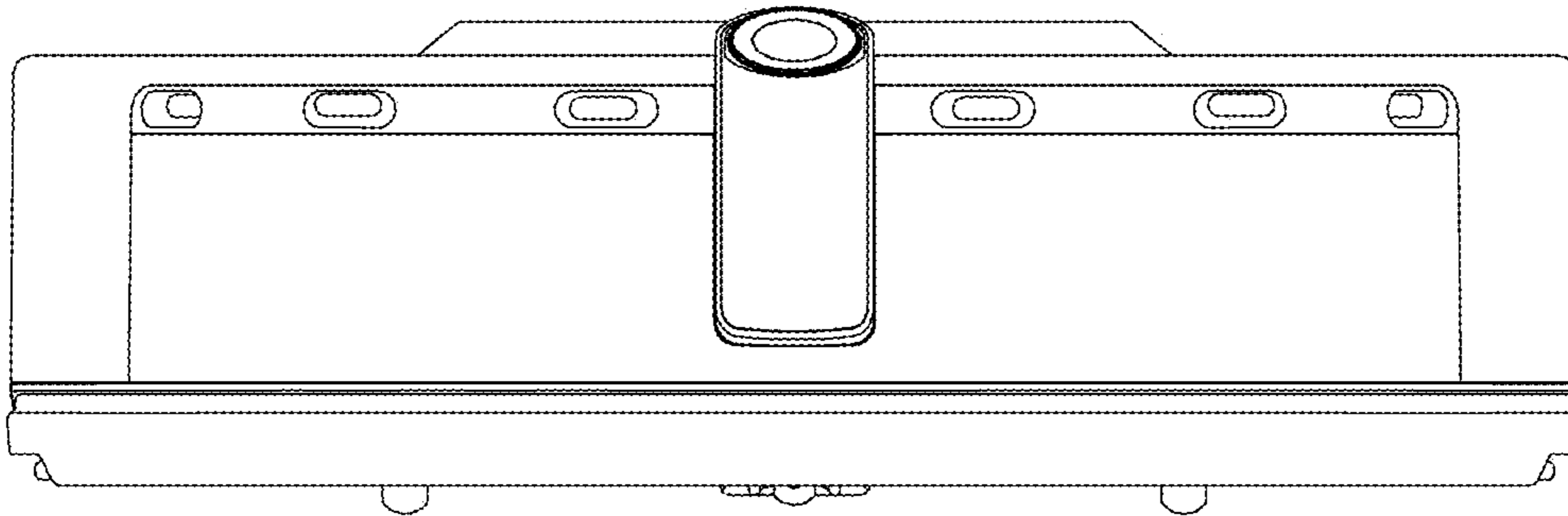
D871,693 S	*	12/2019	Ebrahimi Afrouzi .....	D32/21
D871,694 S	*	12/2019	Casini .....	D32/21
D872,953 S	*	1/2020	Ebrahimi Afrouzi .....	D32/21
D884,298 S	*	5/2020	Li .....	D32/21
D890,457 S	*	7/2020	Pearce .....	D32/21
D901,110 S	*	11/2020	Li .....	D32/21
D902,507 S	*	11/2020	Ebrahimi Afrouzi .....	D32/21
D902,508 S	*	11/2020	Ebrahimi Afrouzi .....	D32/21
D902,509 S	*	11/2020	Ebrahimi Afrouzi .....	D32/21
D903,961 S	*	12/2020	Li .....	D32/21

\* cited by examiner

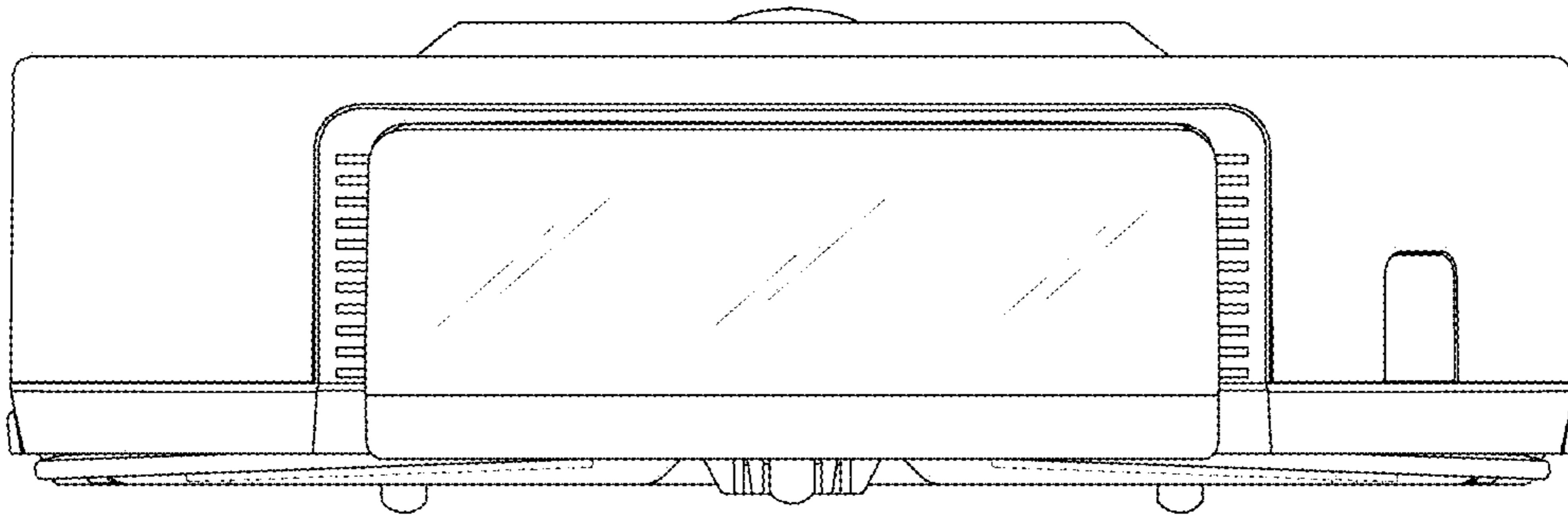
1.1



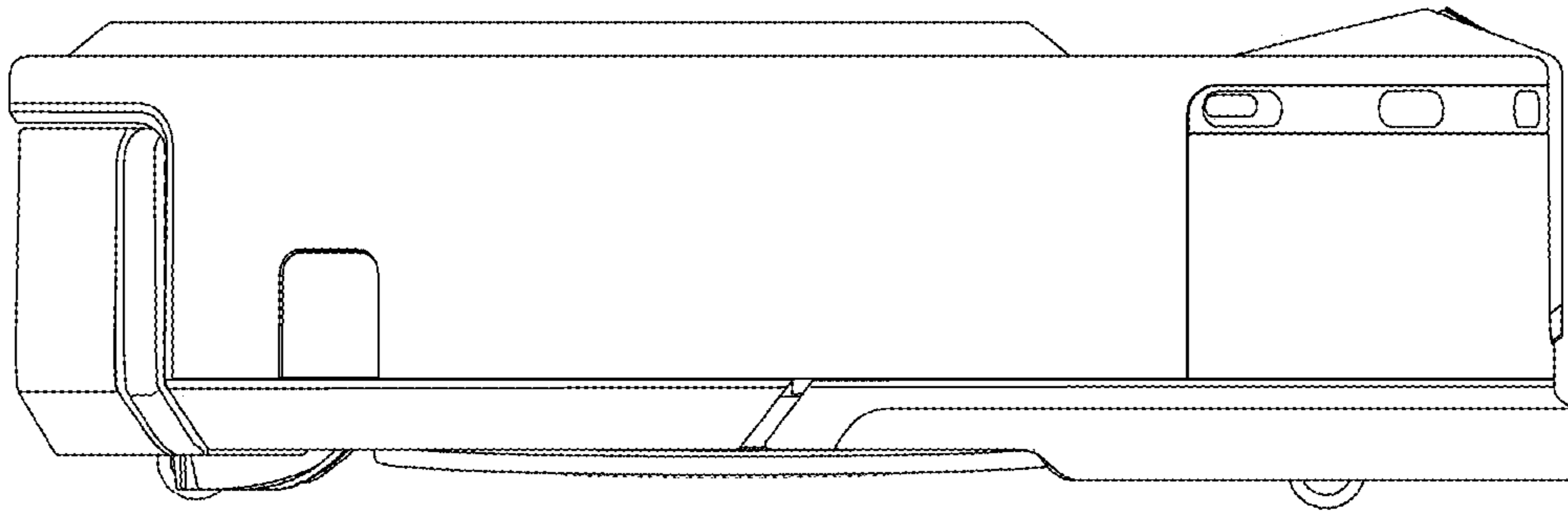
1.2



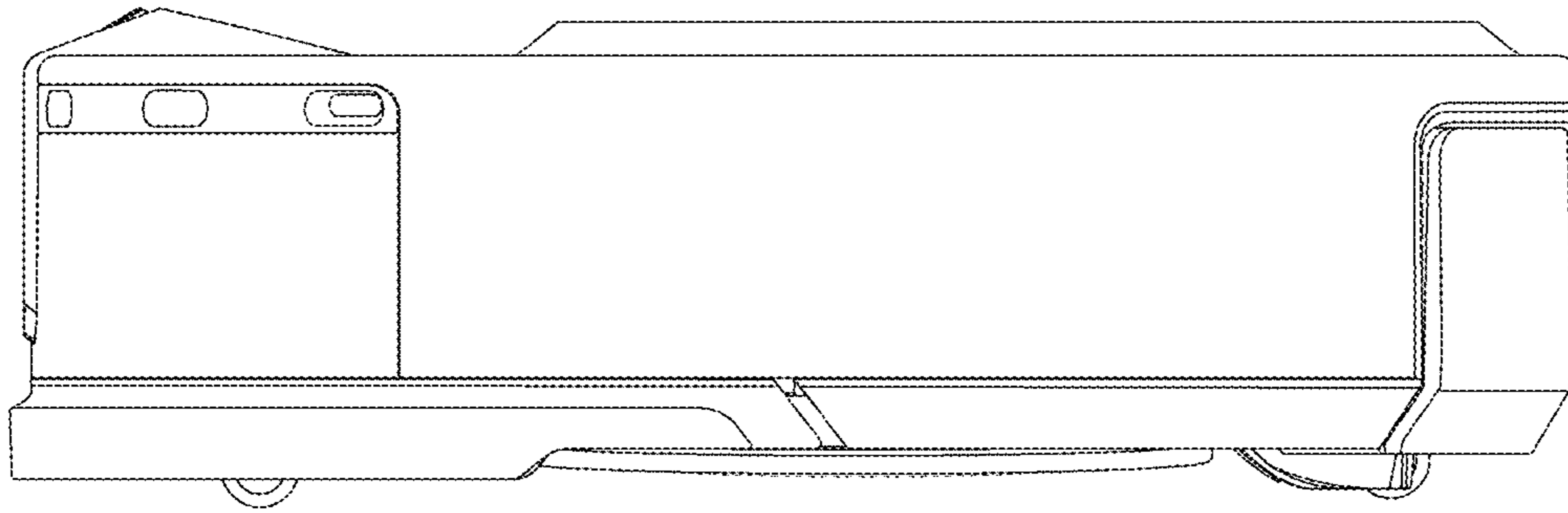
1.3



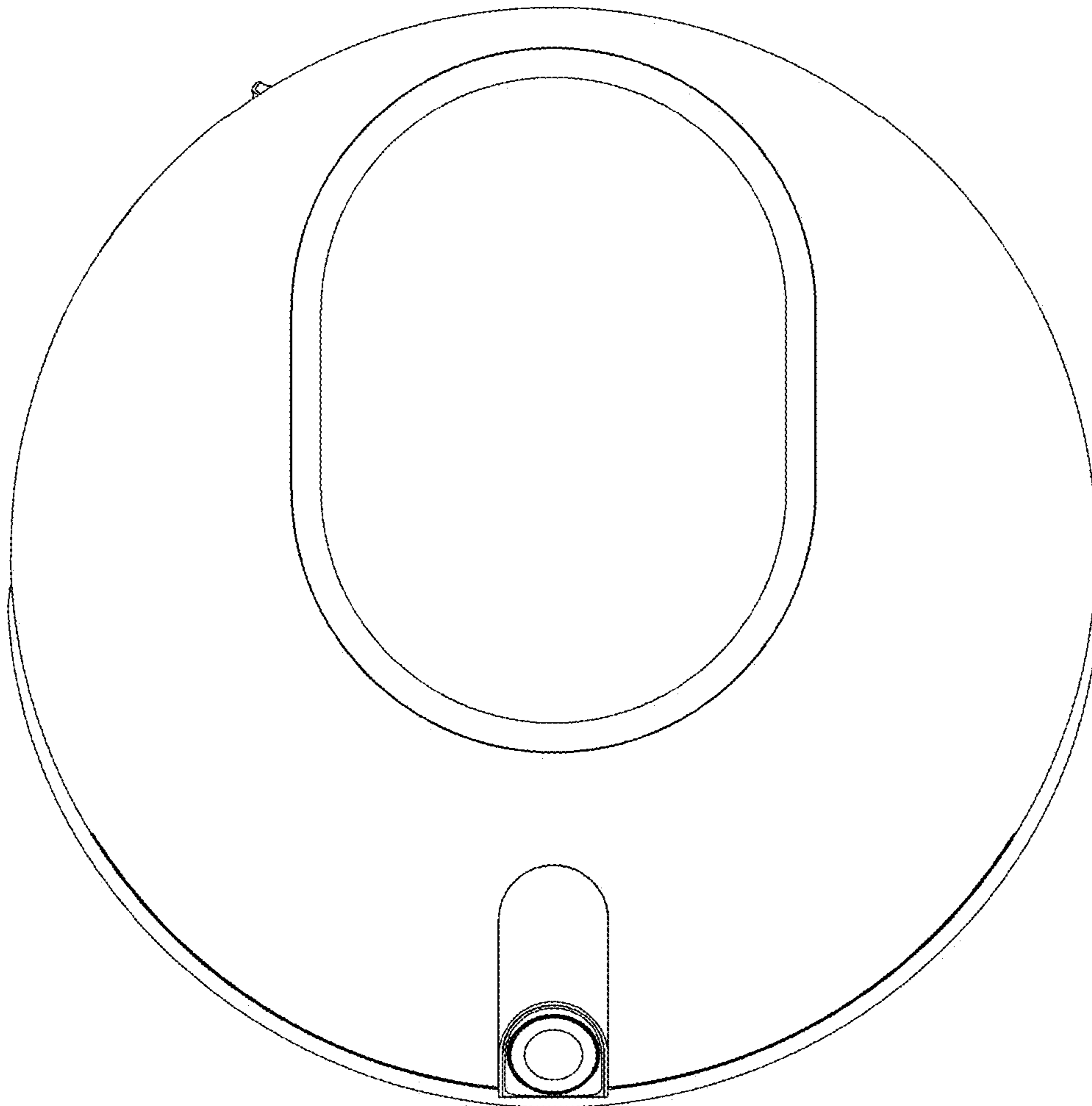
1.4



1.5

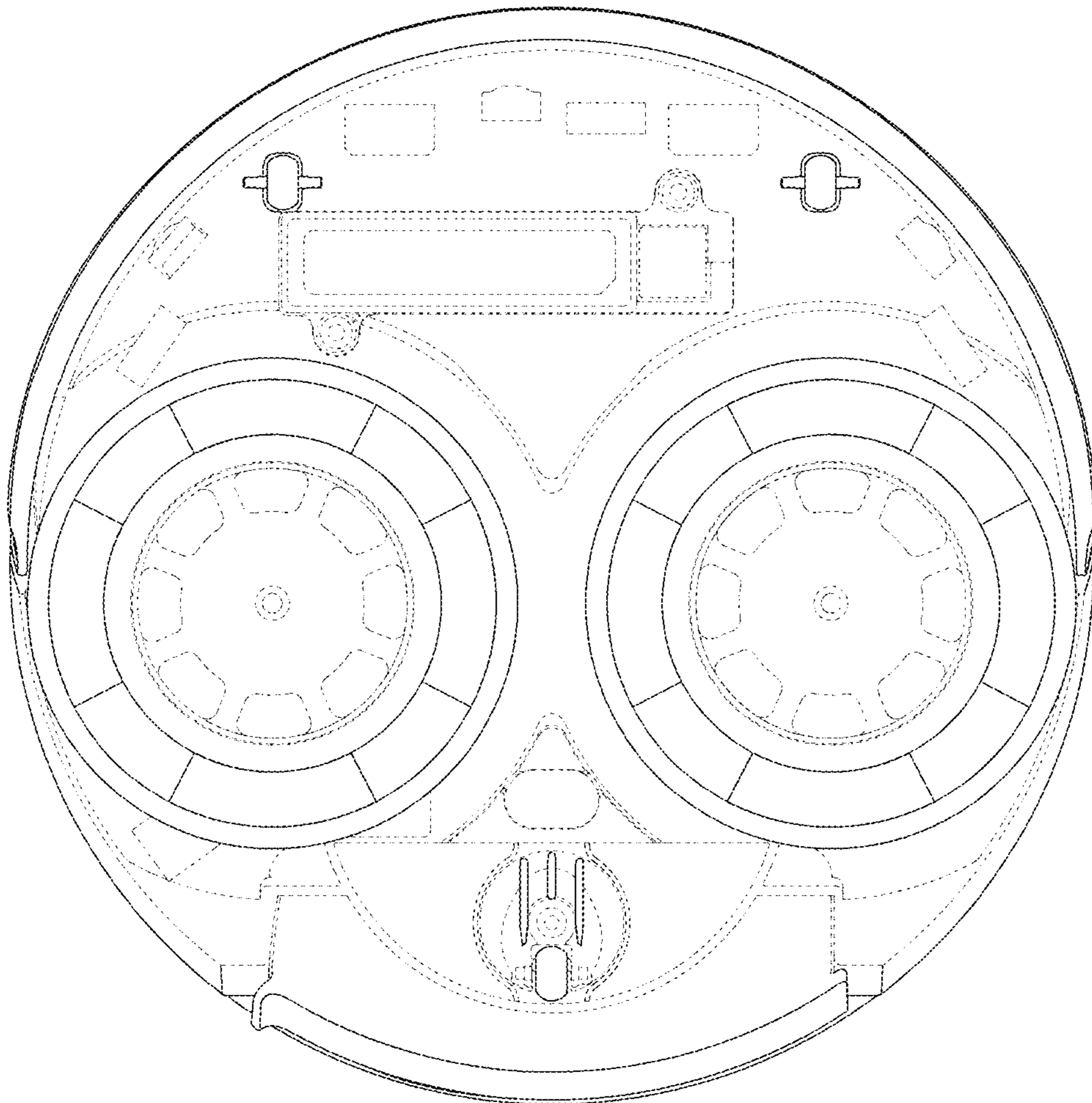


1.6





1.7



1.8

