



US00D926398S

(12) **United States Design Patent**  
**Kim et al.**

(10) **Patent No.: US D926,398 S**  
(45) **Date of Patent: \*\* Jul. 27, 2021**

(54) **ROBOT VACUUM CLEANER**

- (71) Applicant: **Samsung Electronics Co., Ltd.**,  
Suwon-si (KR)
- (72) Inventors: **Dong Hun Kim**, Suwon-si (KR); **Ki Cheol Pak**, Suwon-si (KR); **Joo Ho Seo**, Suwon-si (KR); **Min Hyouk Lee**, Suwon-si (KR)
- (73) Assignee: **Samsung Electronics Co., Ltd.**,  
Suwon-si (KR)
- (\*\*) Term: **15 Years**
- (21) Appl. No.: **29/696,537**
- (22) Filed: **Jun. 28, 2019**

(30) **Foreign Application Priority Data**

Feb. 15, 2019 (KR) ..... 30-2019-0006931

(51) **LOC (13) Cl.** ..... **15-05**

(52) **U.S. Cl.**  
USPC ..... **D32/21**

(58) **Field of Classification Search**  
USPC ..... D32/21, 31; D21/526, 578; D8/70, 310,  
D8/330; D10/37, 38, 50, 106.2, 106.5;  
D13/108, 209; D23/254

(Continued)

(56) **References Cited**

**U.S. PATENT DOCUMENTS**

D502,807 S \* 3/2005 Jaron ..... D3/273  
D593,265 S \* 5/2009 Carr ..... D32/21

(Continued)

**FOREIGN PATENT DOCUMENTS**

CN 2015302024970 12/2015  
CN 201630189082.9 1/2017

(Continued)

**OTHER PUBLICATIONS**

Neato Robotics, available in Amazon.co.uk, date first available Apr. 10, 2017 [online], [site visited Mar. 22, 2021], Available from the internet (Year: 2017). [https://www.amazon.co.uk/Neato-Robotics-Botvac-Connected-Ultra/dp/B06XCHCC6K/ref=sr\\_1\\_4?crd=1S8OCZVK0CME8&dchild=1&keywords=neato+robot+vacuum+cleaner&qid=1616584731&srefix=neato%2Caps%2C242&sr=8-4](https://www.amazon.co.uk/Neato-Robotics-Botvac-Connected-Ultra/dp/B06XCHCC6K/ref=sr_1_4?crd=1S8OCZVK0CME8&dchild=1&keywords=neato+robot+vacuum+cleaner&qid=1616584731&srefix=neato%2Caps%2C242&sr=8-4) (Year: 2017).\*

(Continued)

*Primary Examiner* — Dana K Weiland  
*Assistant Examiner* — Jennylou M Binas

(74) *Attorney, Agent, or Firm* — NSIP Law

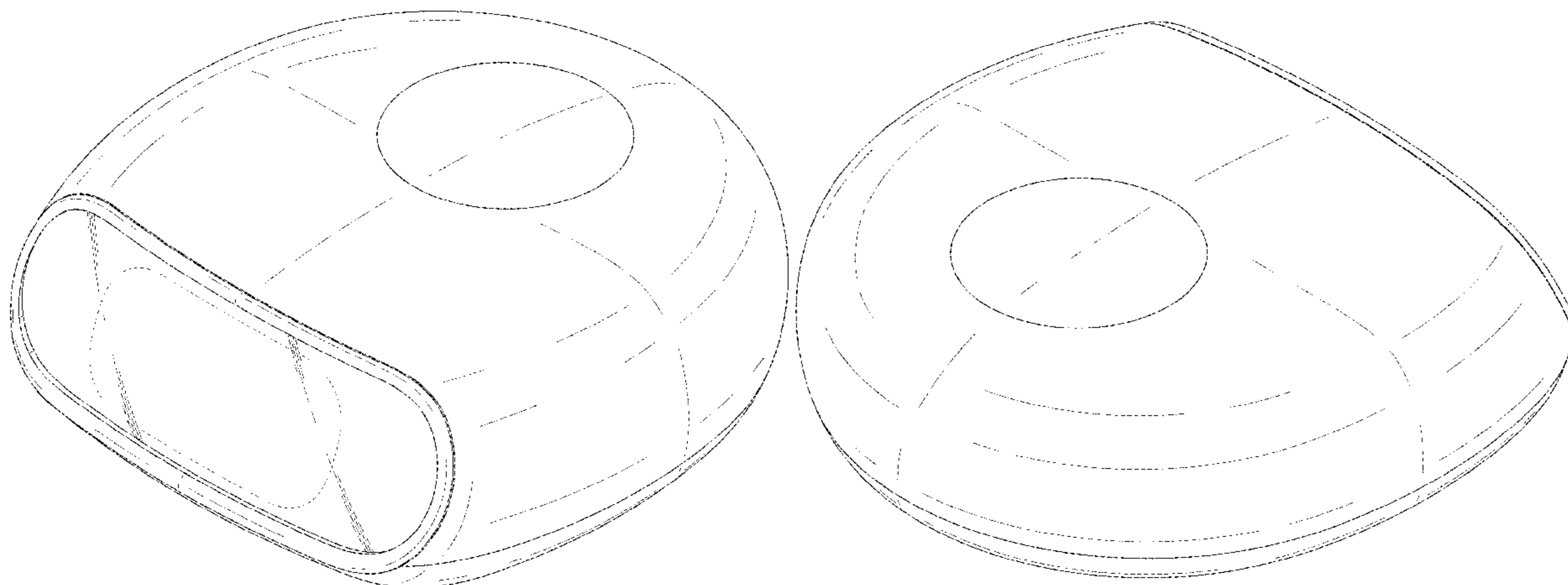
(57) **CLAIM**

We claim the ornamental design for a robot vacuum cleaner, as shown and described.

**DESCRIPTION**

FIG. 1 is a front perspective view of a robot vacuum cleaner showing our new design;  
FIG. 2 is a front view thereof;  
FIG. 3 is a rear view thereof;  
FIG. 4 is a left-side view thereof;  
FIG. 5 is a right-side view thereof;  
FIG. 6 is a top view thereof;  
FIG. 7 is a bottom view thereof;  
FIG. 8 is a rear perspective view thereof;  
FIG. 9 is a front perspective view thereof showing the robot vacuum cleaner in an alternate configuration;  
FIG. 10 is a front view thereof;  
FIG. 11 is a rear view thereof;  
FIG. 12 is a left-side view thereof;  
FIG. 13 is a right-side view thereof;  
FIG. 14 is a top view thereof;  
FIG. 15 is a bottom view thereof;  
FIG. 16 is a rear perspective view thereof; and,  
FIG. 17 is an enlarged view of the encircled portion of the robot vacuum cleaner in FIG. 9.  
The broken lines in the figures depict portions of the robot vacuum cleaner that form no part of the claimed design.

(Continued)



The dot-dash broken lines encircling portions of the claimed design that are illustrated in enlargements form no part of the claimed design.

**1 Claim, 17 Drawing Sheets**

(58) **Field of Classification Search**

CPC . A47L 5/08; A47L 5/30; A47L 7/0004; A47L 9/04; A47L 9/168; A47L 9/2805; A47L 9/2873; A47L 11/4011; A47L 11/4016; A47L 11/4038; A47L 11/4041; A47L 11/4044; A47L 2201/02; A47L 2201/04; A47L 2201/06; B25J 9/0003; B25J 9/1694; E04H 4/1636; G05D 1/0225; G06N 3/008

See application file for complete search history.

(56) **References Cited**

U.S. PATENT DOCUMENTS

D720,103 S \* 12/2014 Haug ..... D32/21  
 D733,603 S \* 7/2015 Graf ..... D10/128  
 D751,777 S \* 3/2016 Cheon ..... D32/21  
 D778,515 S \* 2/2017 Choi ..... D32/21  
 D840,617 S \* 2/2019 Dou ..... D32/21  
 D859,764 S \* 9/2019 Sexton ..... D32/21  
 D860,557 S \* 9/2019 Gnielka ..... D32/21  
 D860,558 S \* 9/2019 Lee ..... D32/21

D869,109 S \* 12/2019 Yu ..... D32/21  
 D870,402 S \* 12/2019 Yun ..... D32/21  
 D872,953 S \* 1/2020 Ebrahimi Afrouzi ..... D32/21  
 D892,169 S \* 8/2020 Benedetti ..... D14/497  
 D899,089 S \* 10/2020 Yu ..... D3/297  
 2018/0116478 A1 \* 5/2018 Lewis ..... A47L 9/1409  
 2019/0022269 A1 \* 1/2019 Hackert ..... A47L 7/009  
 2019/0167052 A1 \* 6/2019 Lee ..... A47L 7/04  
 2019/0171222 A1 \* 6/2019 Nan ..... G05D 1/0238  
 2020/0019178 A1 \* 1/2020 Orzechowski ..... A47L 9/2884  
 2020/0205627 A1 \* 7/2020 Choi ..... A47L 9/106  
 2020/0229661 A1 \* 7/2020 Yun ..... A47L 9/0433  
 2020/0229667 A1 \* 7/2020 Yun ..... A47L 9/1608

FOREIGN PATENT DOCUMENTS

CN 201830309969.6 12/2018  
 JP D1642671 \* 10/2019  
 KR 30-2004-0001824 12/2004  
 KR 30-2015-0020794 2/2018  
 KR 301026049 \* 10/2019  
 WO D203672-001 \* 1/2020

OTHER PUBLICATIONS

Amazon Basic Small Digital Alarm clock, available in Amazon.com, date first available Apr. 9, 2019 [online], [site visited Mar. 22, 2021], Available from the internet URL: [https://www.amazon.com/dp/B07DQWT15Y/ref=cm\\_sw\\_r\\_em\\_apa\\_fabc\\_N35M4NF33VS70XBQWTJW](https://www.amazon.com/dp/B07DQWT15Y/ref=cm_sw_r_em_apa_fabc_N35M4NF33VS70XBQWTJW) (Year: 2019).\*

\* cited by examiner

FIG. 1

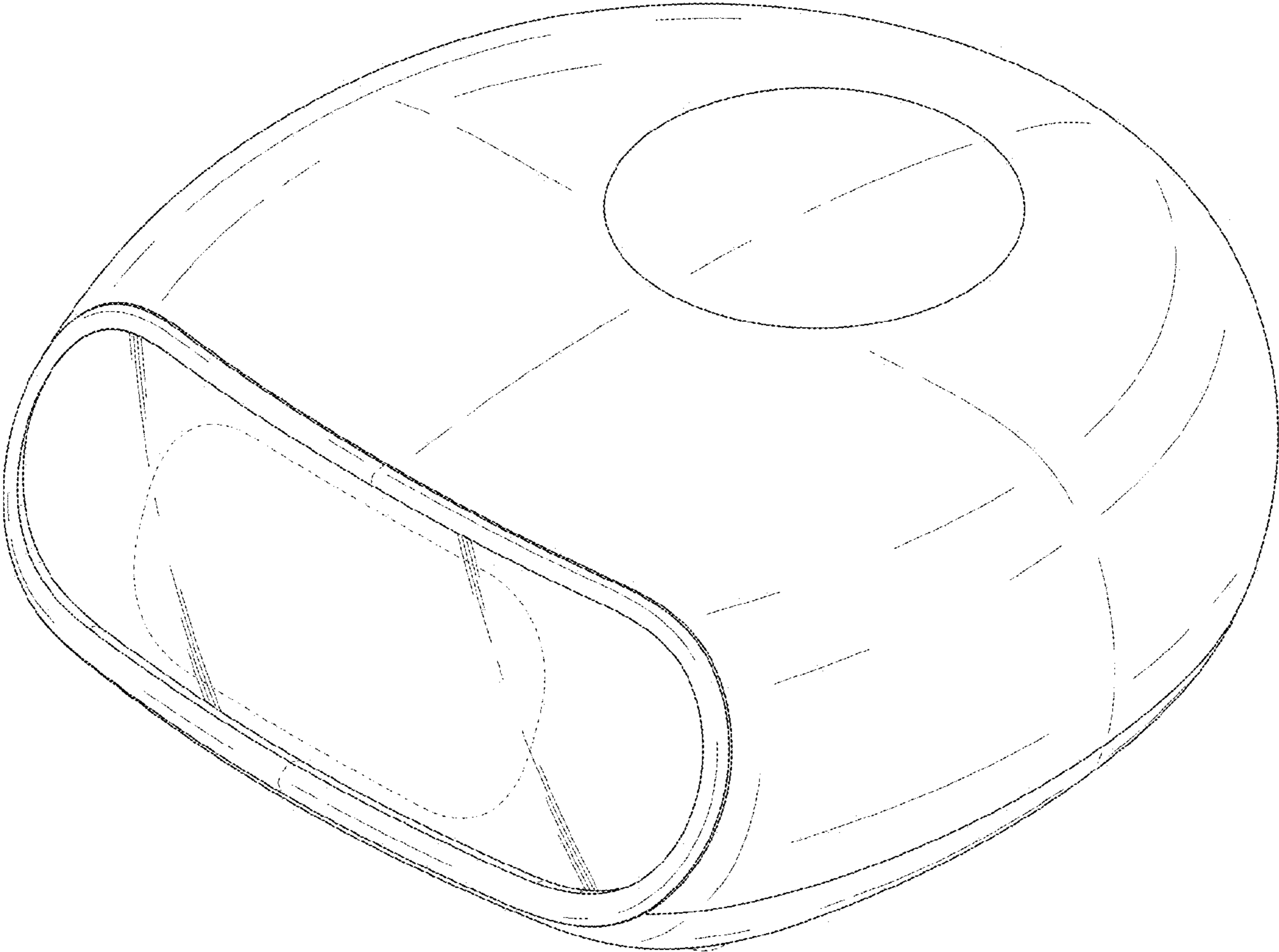


FIG. 2

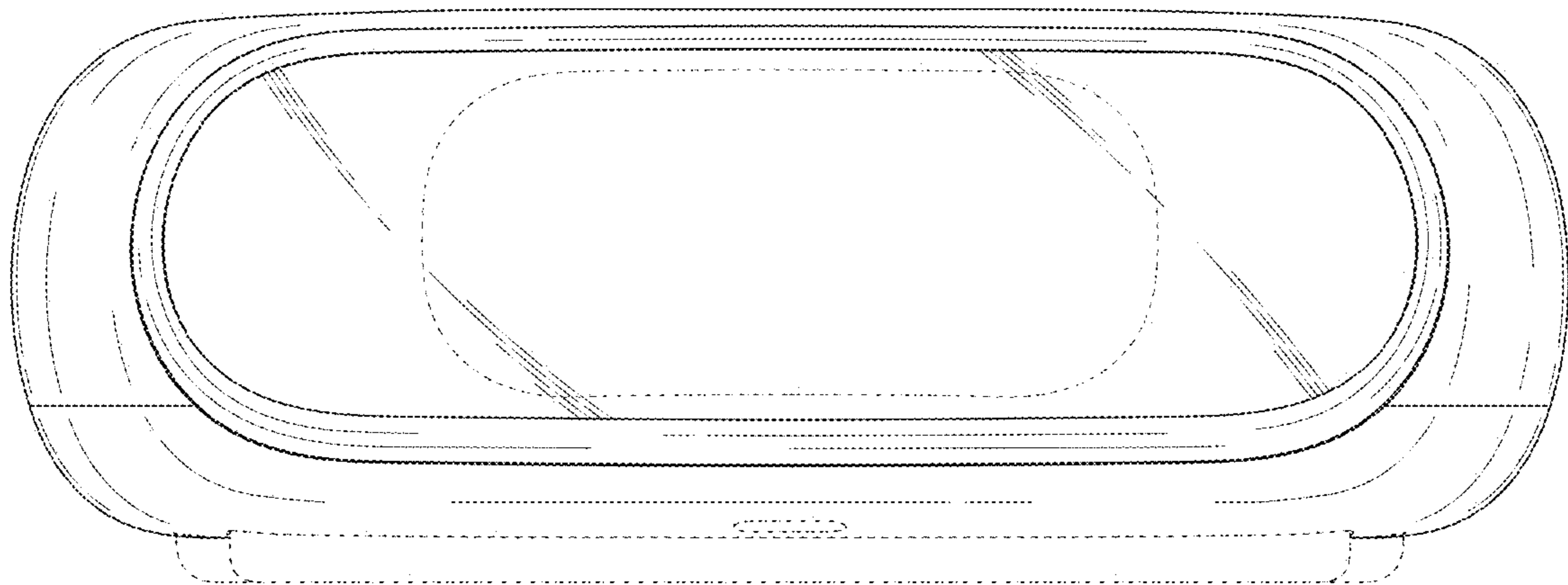


FIG. 3

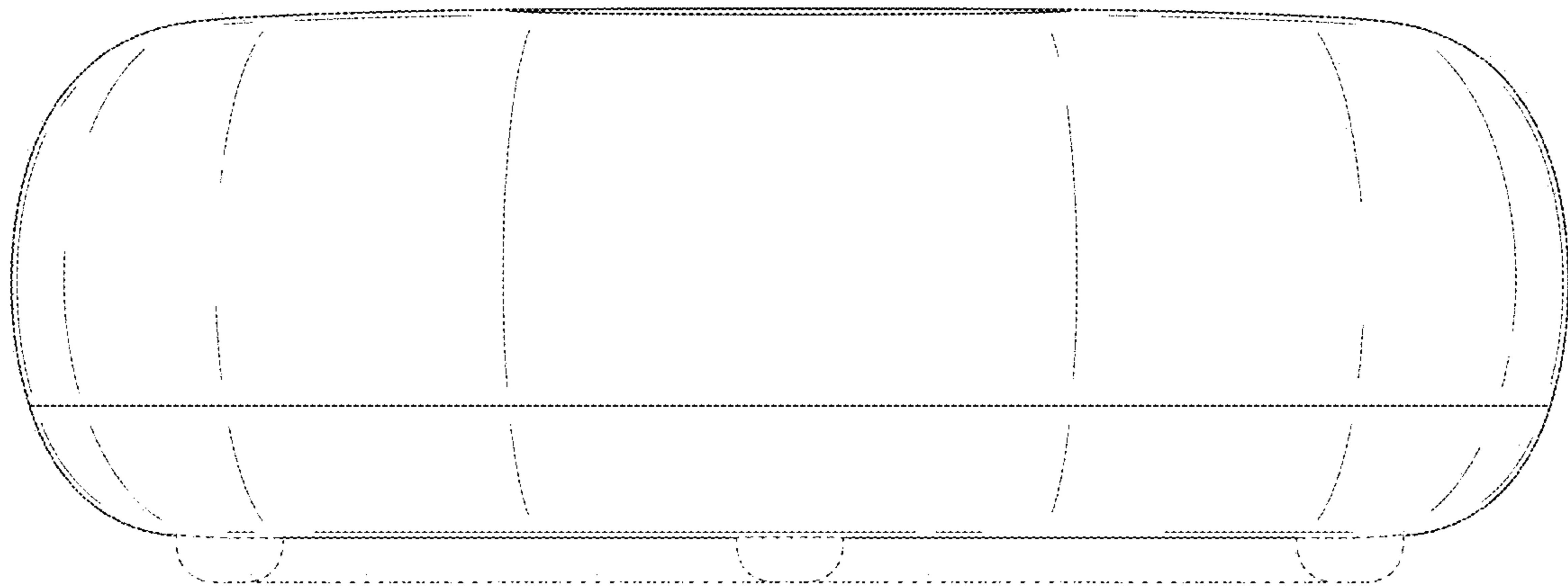


FIG. 4

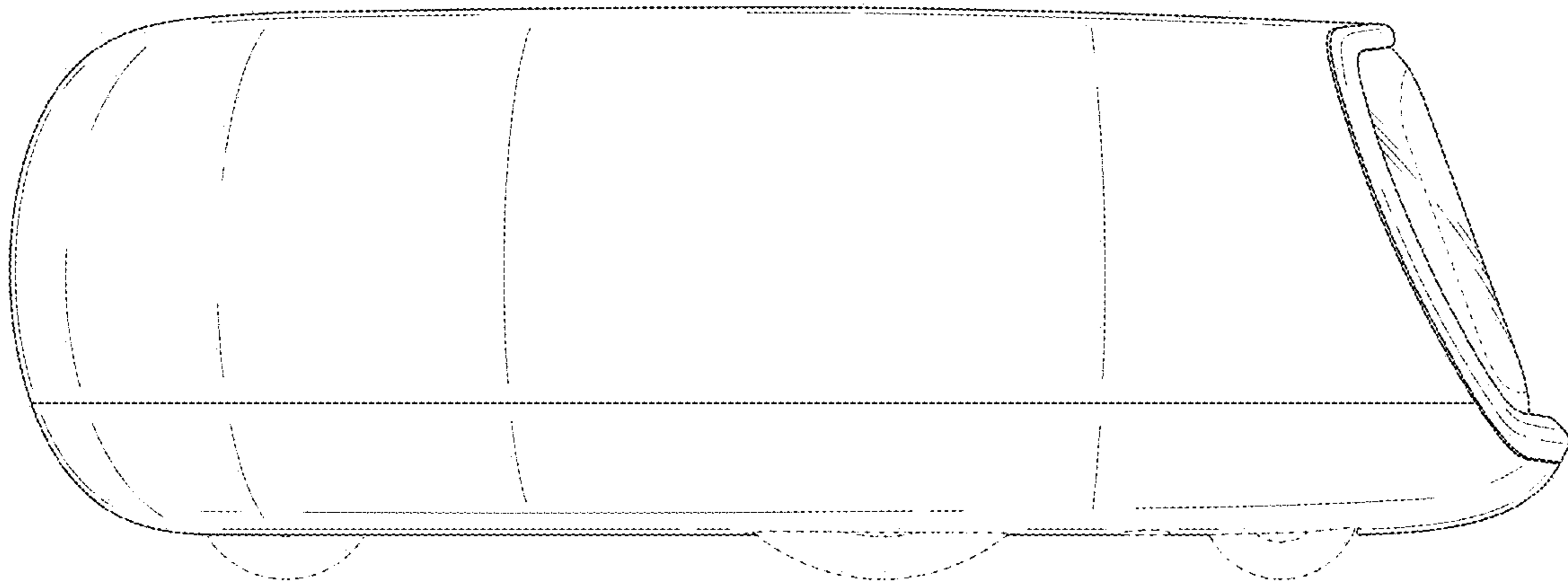


FIG. 5

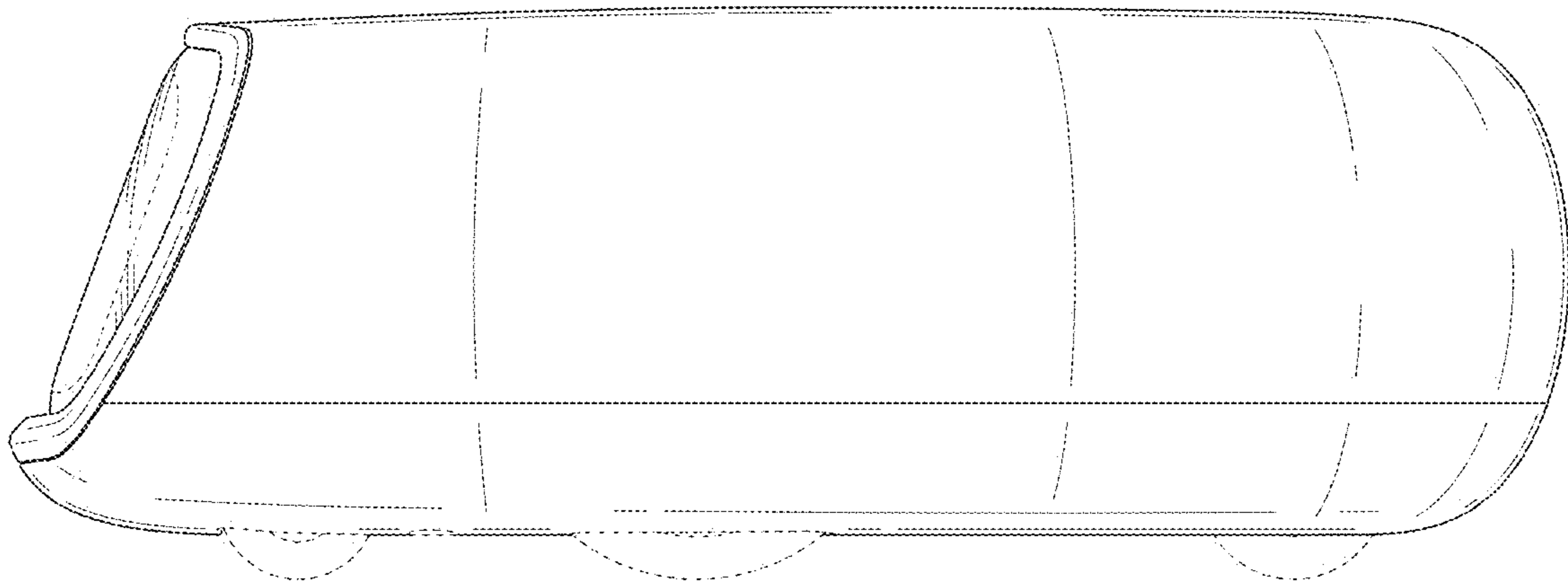


FIG. 6

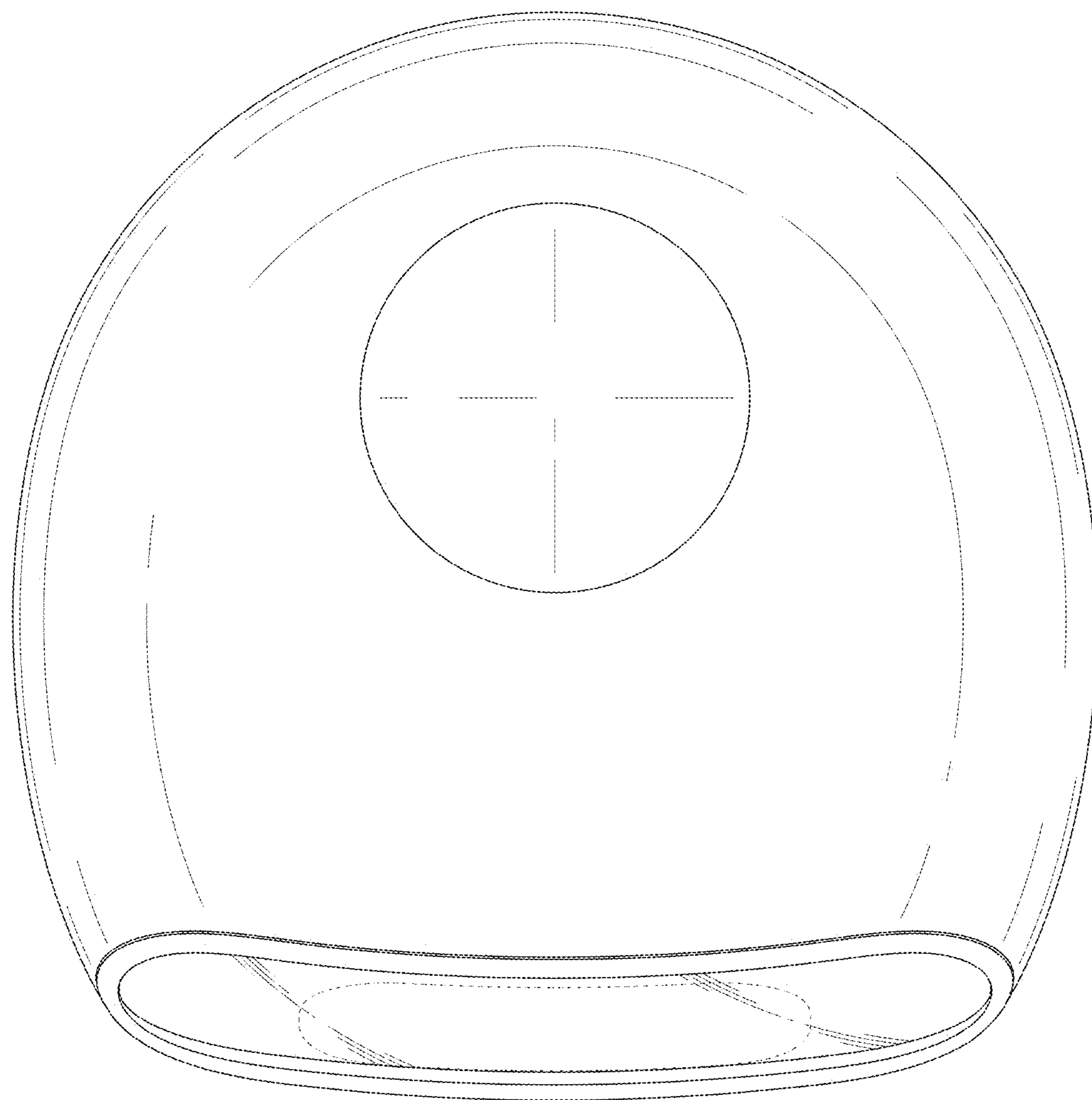




FIG. 7

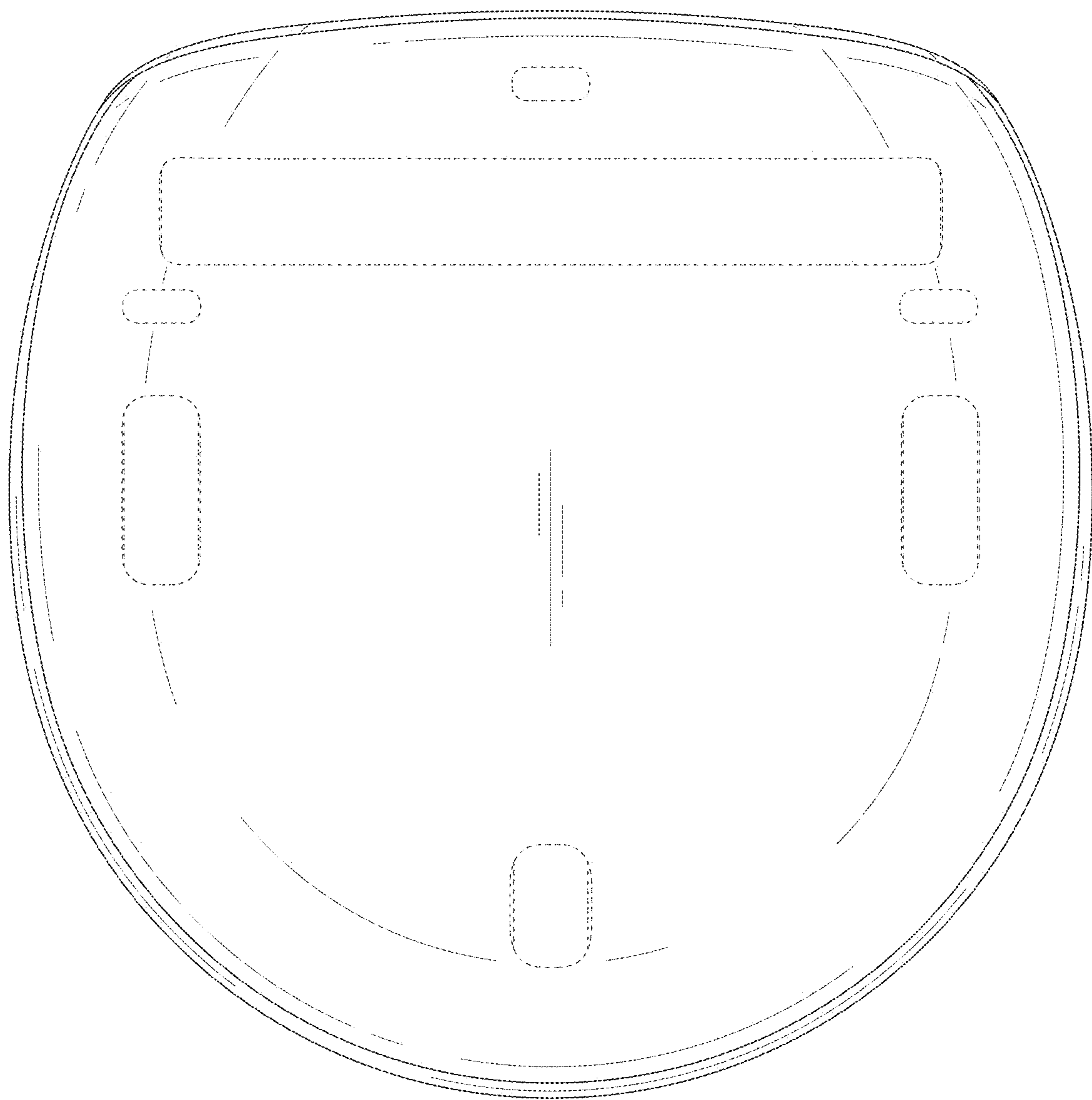


FIG. 8

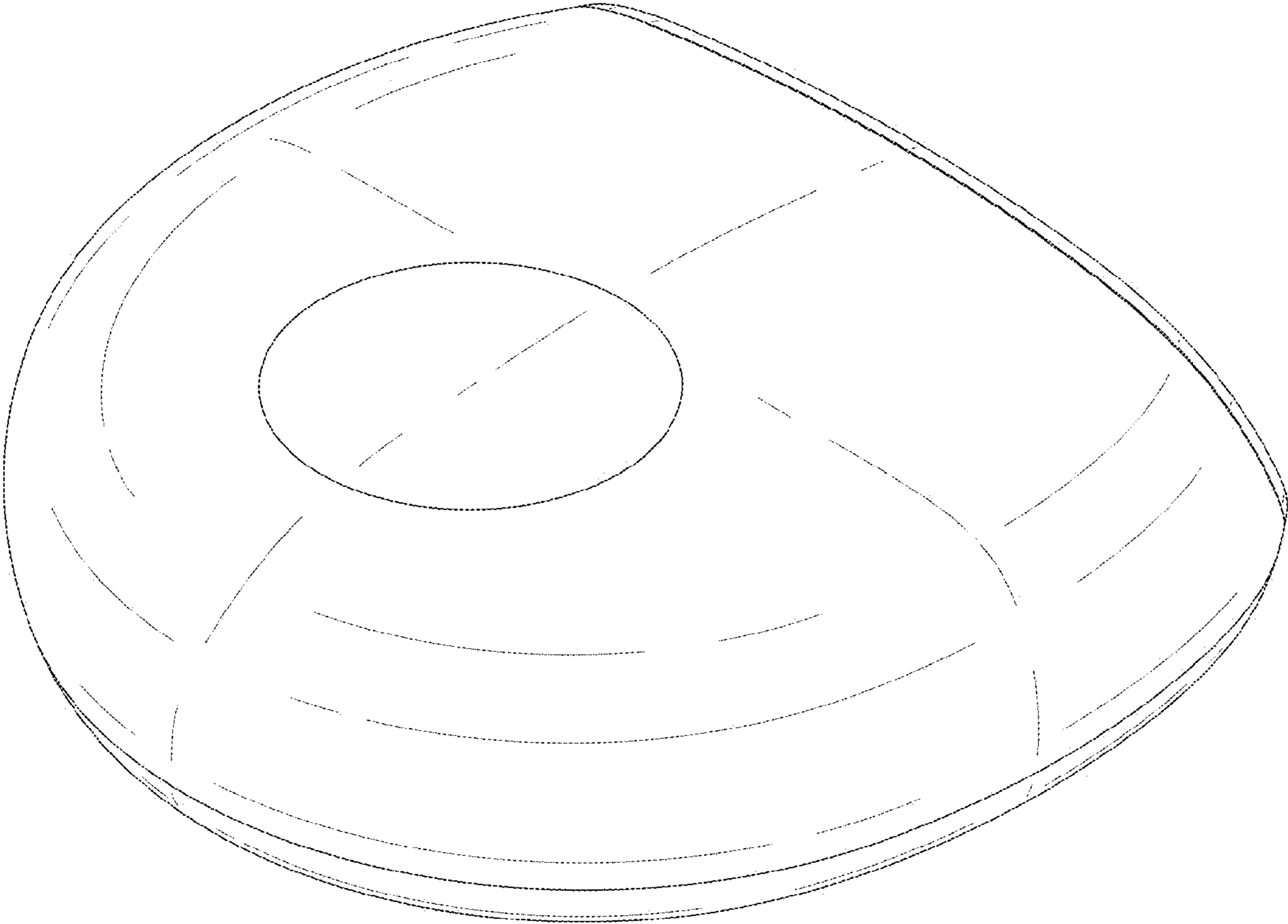


FIG. 9

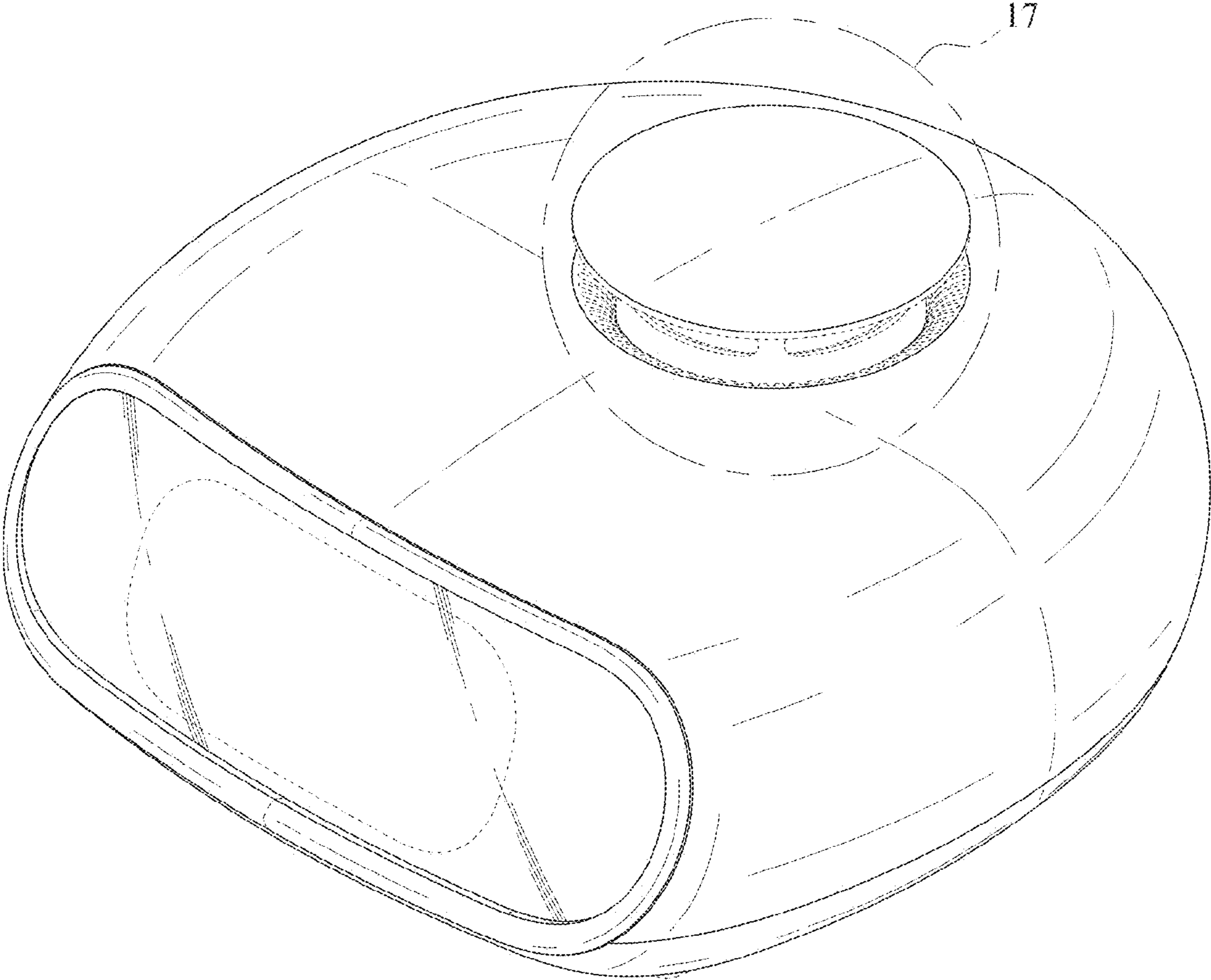


FIG. 10

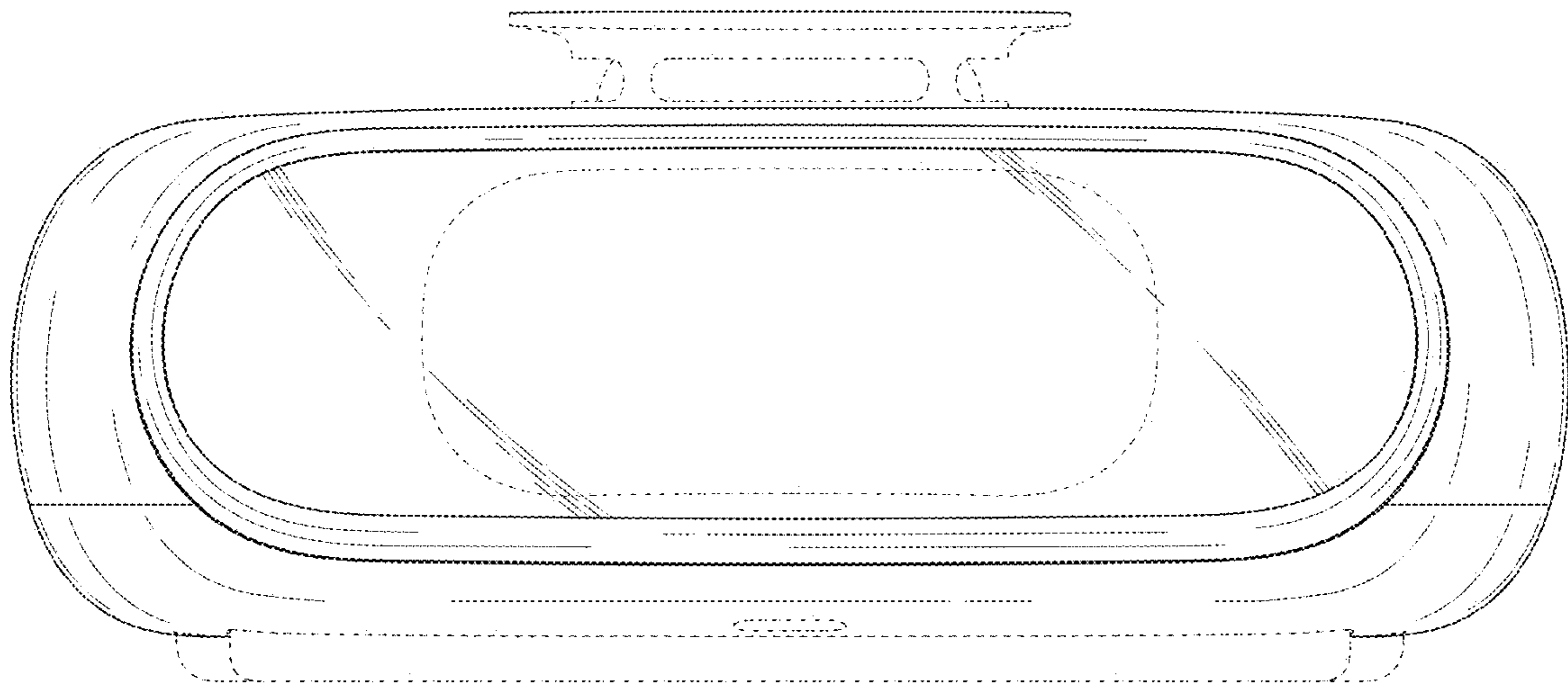


FIG. 11

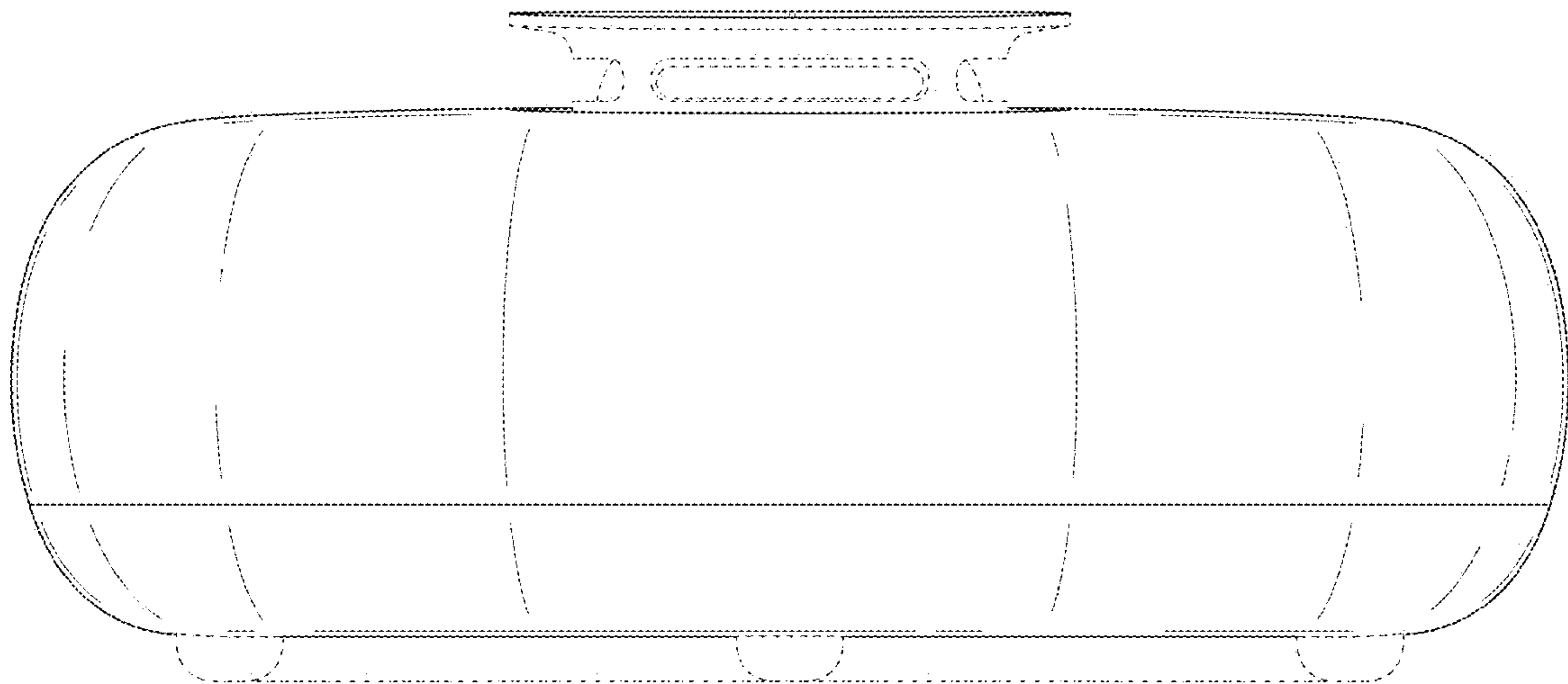


FIG. 12

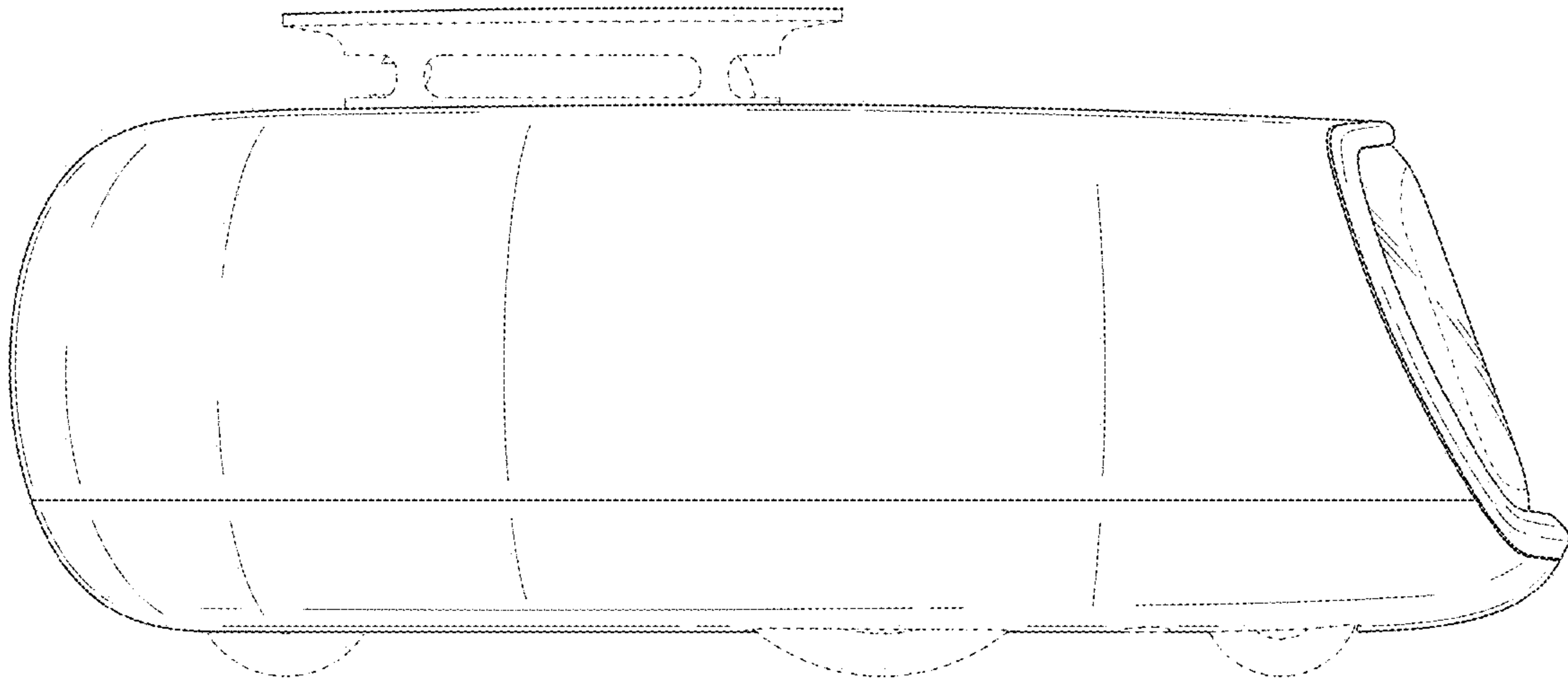


FIG. 13

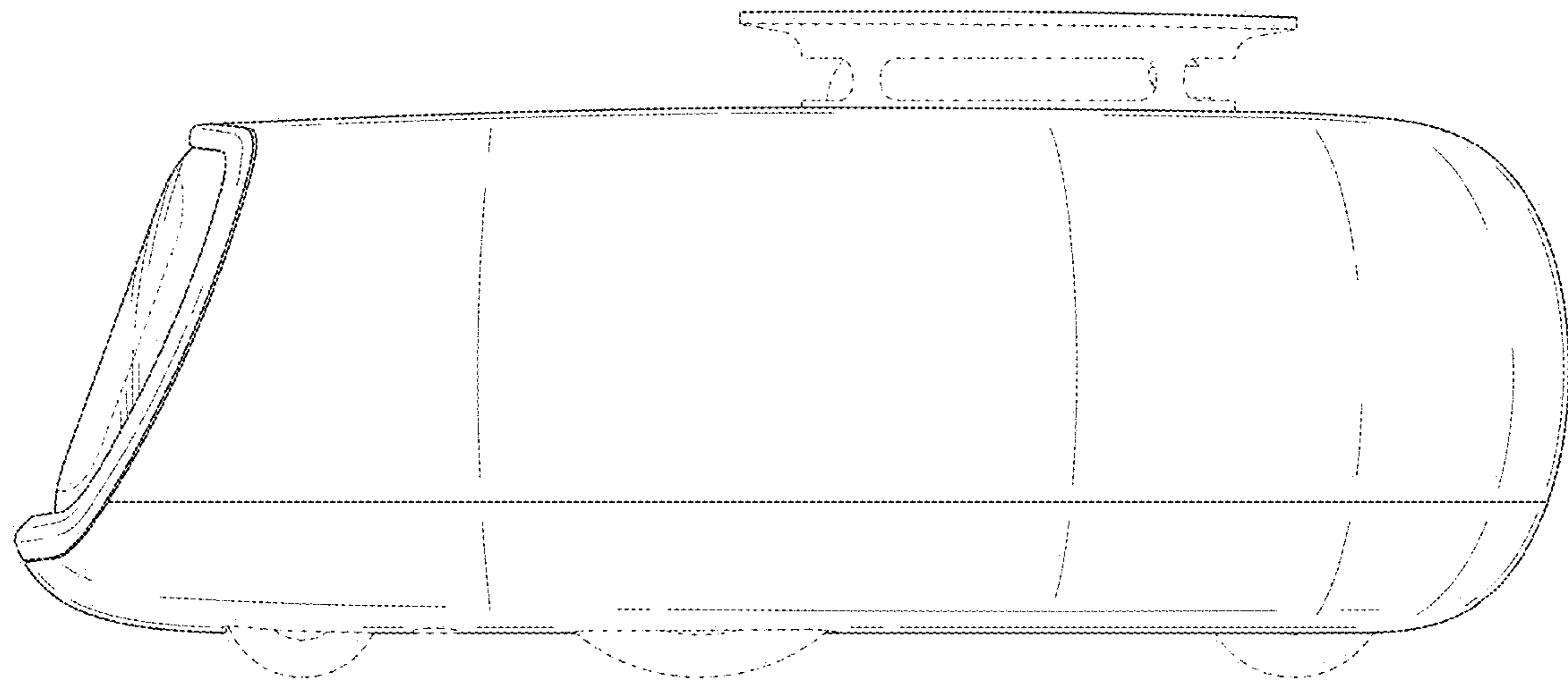


FIG. 14

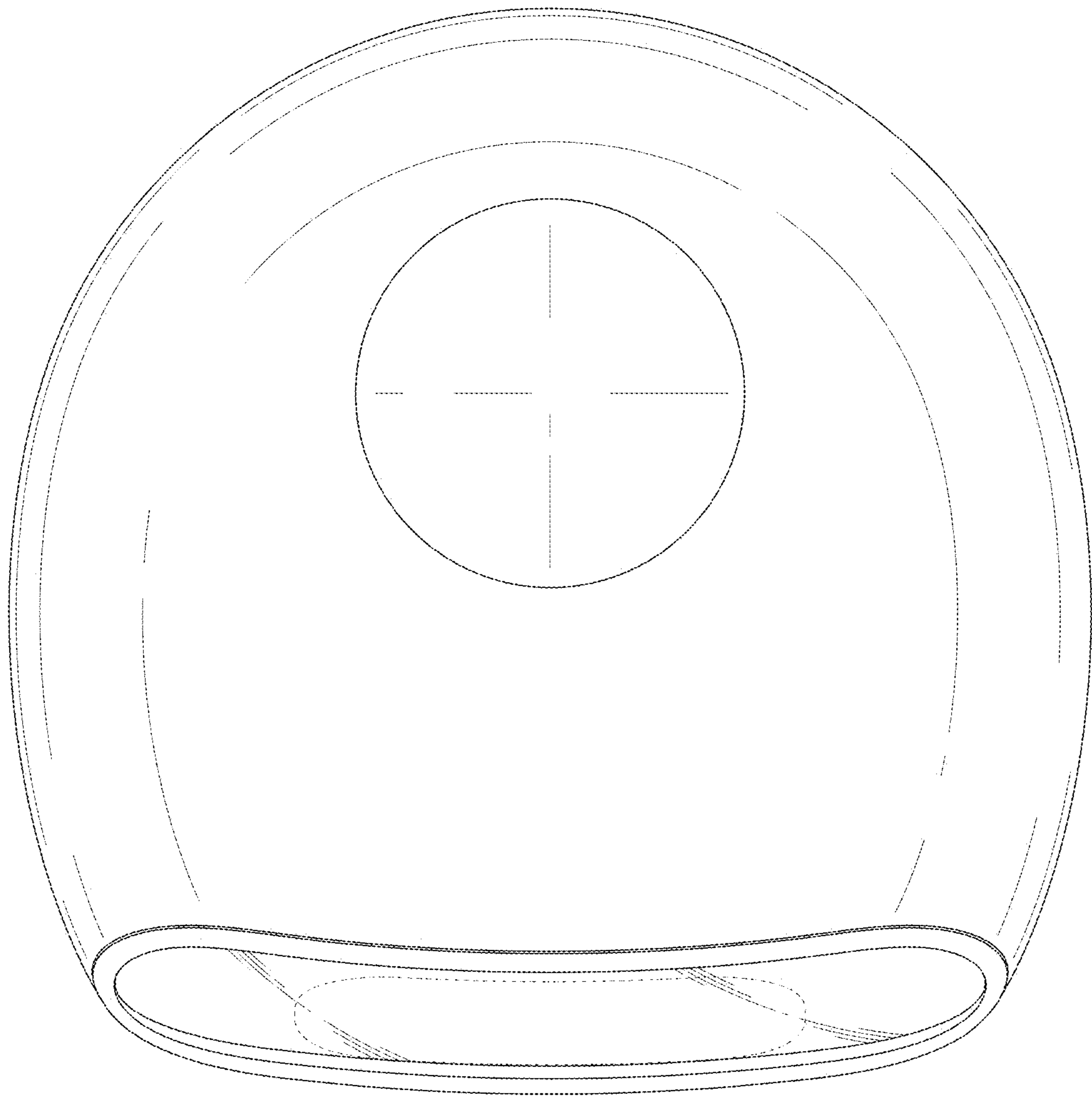




FIG. 15

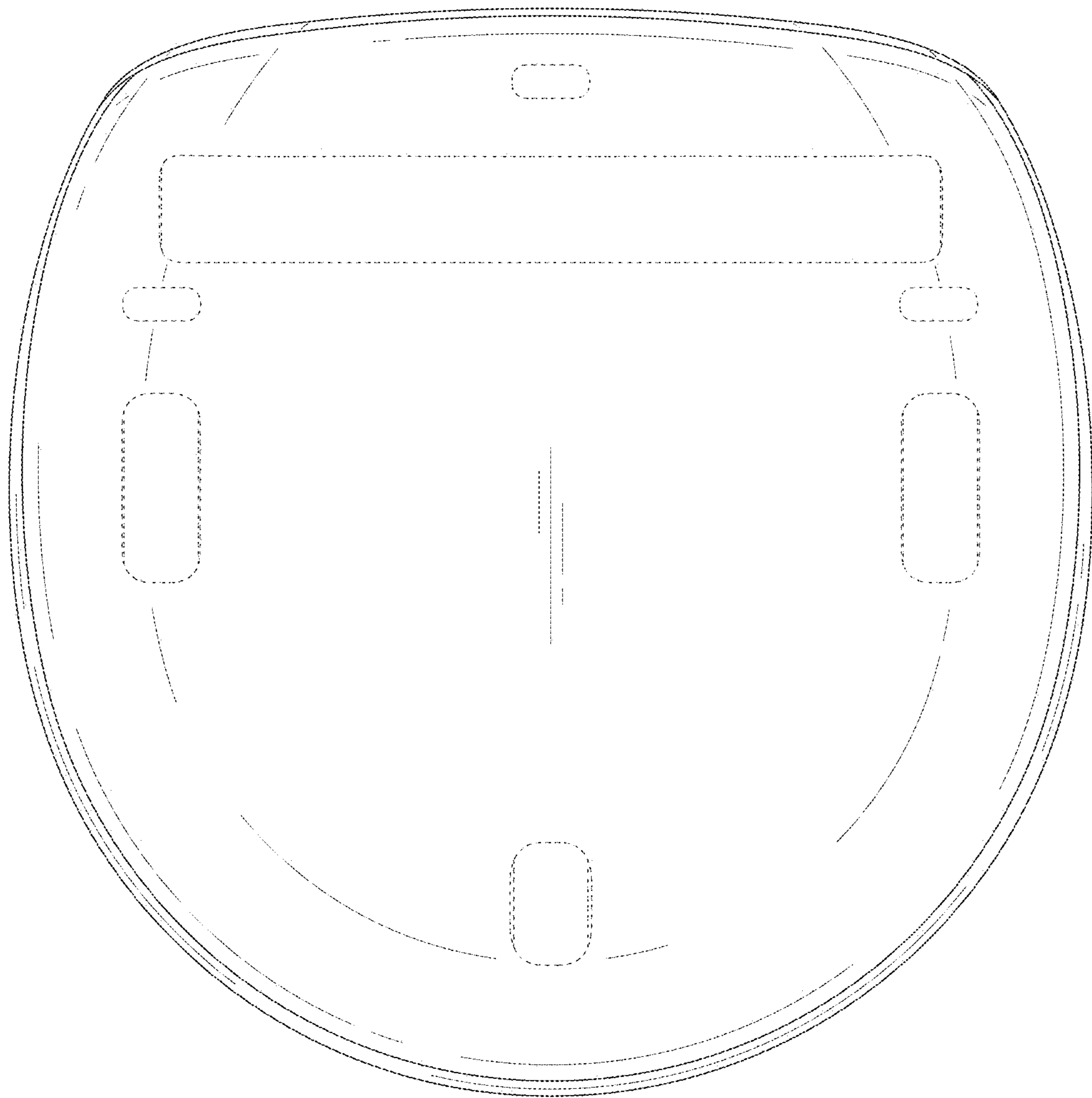


FIG. 16

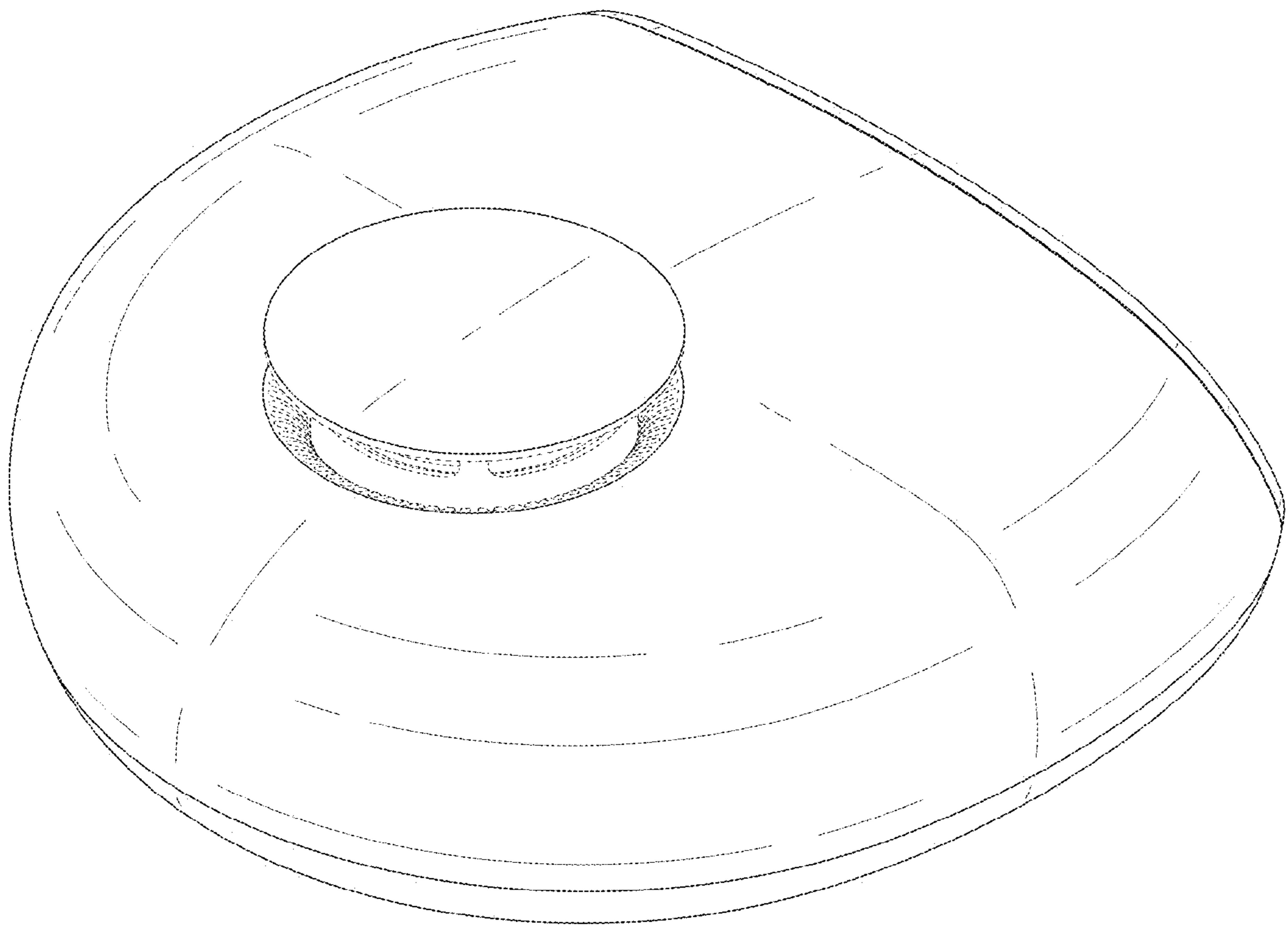


FIG. 17

