



US00D926397S

(12) **United States Design Patent**
Dretzka et al.

(10) **Patent No.:** **US D926,397 S**

(45) **Date of Patent:** **** Jul. 27, 2021**

(54) **DEBRIS BLOWER**

D473,024 S 4/2003 Griffin et al.
D498,885 S * 11/2004 Robson D32/15
6,834,413 B2 * 12/2004 Sanders A47L 5/14
15/405

(71) Applicant: **THE TORO COMPANY**,
Bloomington, MN (US)

(Continued)

(72) Inventors: **Philip C. Dretzka**, Woodbury, MN
(US); **Nicholas Suchoza**, Huntersville,
NC (US); **Jianlong Chen**, Jiangsu
(CN); **Chang Wang**, Jiangsu (CN)

OTHER PUBLICATIONS

GreenworksPro "60V Brushless Axial Blower BL60L00." Owner's
Manual. Greenworks Tools, 2016; 20 pages.

(Continued)

(73) Assignee: **THE TORO COMPANY**,
Bloomington, MN (US)

Primary Examiner — Mark A Goodwin

(**) Term: **15 Years**

(74) *Attorney, Agent, or Firm* — Mooting Raasch Group

(21) Appl. No.: **29/718,711**

(57) **CLAIM**

The ornamental design for a debris blower, as shown and
described.

(22) Filed: **Dec. 27, 2019**

DESCRIPTION

(51) **LOC (13) Cl.** **15-05**

(52) **U.S. Cl.**
USPC **D32/15; D15/12**

(58) **Field of Classification Search**
USPC D15/11, 12; D12/2, 231, 340-343;
D32/15, 16, 17, 18, 21, 25, 1, 5, 12;
D23/383, 370, 213; 15/300.1, 344, 345
CPC ... A47L 5/14; A47L 9/32; A01G 1/125; F04B
17/00; F04B 35/04
See application file for complete search history.

FIG. 1 is a left rear perspective view of a debris blower in
accordance with the claimed design;
FIG. 2 is a left side elevation view of the design of FIG. 1;
FIG. 3 is a right side elevation view of the design of FIG. 1;
FIG. 4 is a top plan view of the design of FIG. 1;
FIG. 5 is a bottom plan view of the design of FIG. 1;
FIG. 6 is a rear elevation view of the design of FIG. 1; and,
FIG. 7 is a front elevation view of the design of FIG. 1.

The dash-dash broken lines in the figures (e.g., the battery,
portions adjacent the dot-dash broken lines, the longitudinal
seam lines, the fasteners and openings for receiving such
fasteners, etc.) represent unclaimed subject matter and form
no part of the claimed design.

The dot-dash broken lines in the figures immediately adja-
cent the solid lines represent a boundary between claimed
and unclaimed subject matter and form no part of the
claimed design.

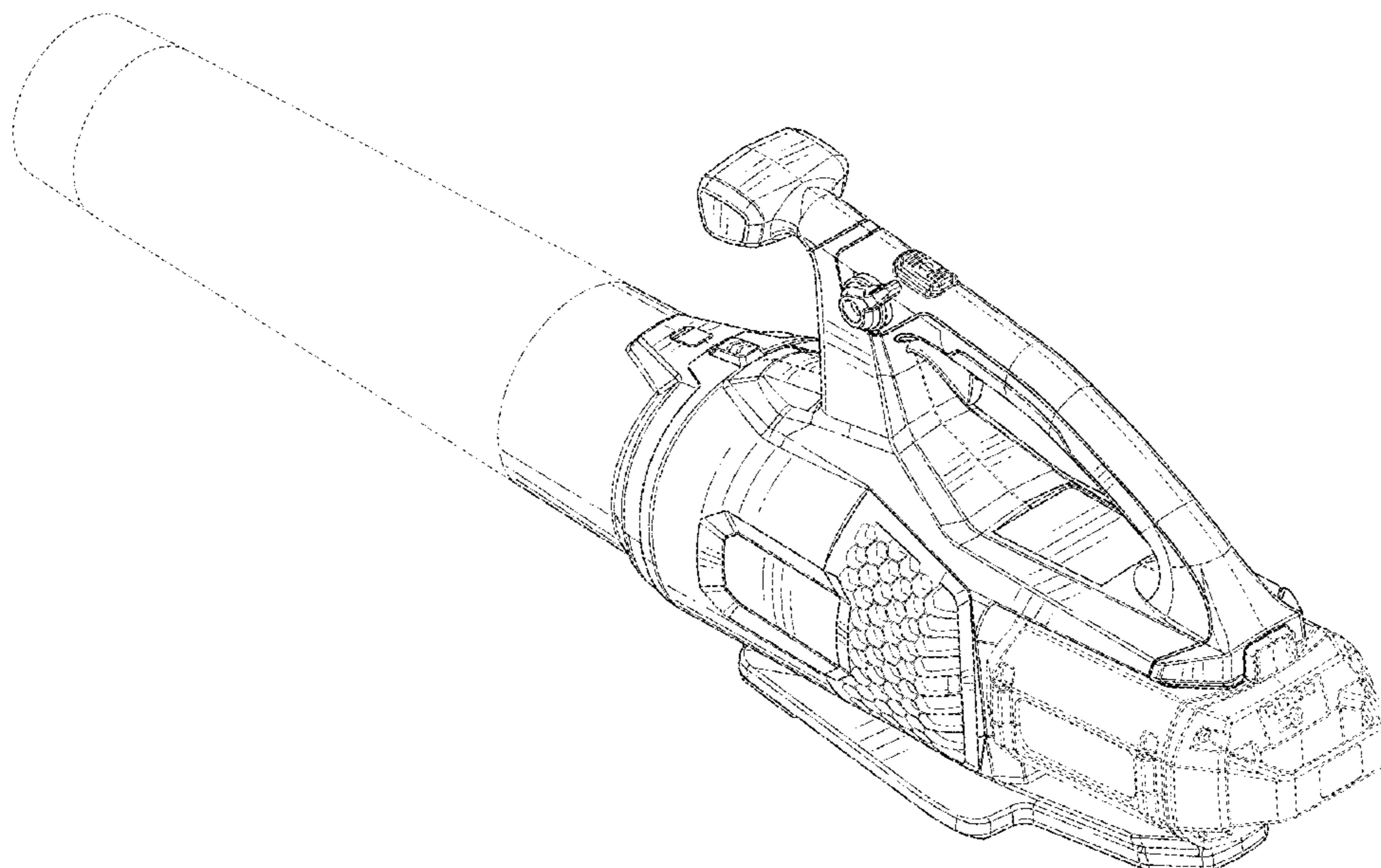
The labels used herein to describe orientation (e.g., top,
bottom, left, right) are merely for reference and are not
intended to limit the interpretation of the design.

(56) **References Cited**

U.S. PATENT DOCUMENTS

D304,510 S * 11/1989 Baker D32/15
D358,912 S * 5/1995 Baker D32/15
D368,341 S * 3/1996 Pink D32/15
D400,322 S * 10/1998 Webster D32/15
D416,360 S * 11/1999 Enkyo D32/15
D426,354 S * 6/2000 Ohi D32/15
D431,697 S * 10/2000 Hayakawa D32/15
D461,604 S * 8/2002 Martin D32/15

1 Claim, 7 Drawing Sheets



(56)

References Cited

U.S. PATENT DOCUMENTS

D526,750 S * 8/2006 Ito D32/15
 D556,395 S * 11/2007 Martin D32/15
 D558,939 S * 1/2008 Yuasa D32/15
 D569,055 S 5/2008 Bochmann et al.
 D584,460 S * 1/2009 Sweeney D32/15
 D584,461 S * 1/2009 Sweeney D32/15
 D605,819 S * 12/2009 Tinius D32/15
 D615,716 S * 5/2010 Tinius D32/15
 7,735,188 B2 * 6/2010 Shaffer E01H 1/0809
 15/405
 D637,774 S * 5/2011 Li D32/15
 D640,846 S * 6/2011 Tinius D32/15
 D640,848 S 6/2011 Houghton
 D641,111 S 7/2011 Houghton
 D711,056 S * 8/2014 Crawley D32/15
 D711,057 S * 8/2014 Crawley D32/15
 D719,307 S * 12/2014 Carl D32/15
 D729,999 S * 5/2015 Aoi D32/15
 D735,960 S * 8/2015 Zhang D32/15
 D741,917 S * 10/2015 Tinius D15/15
 D742,603 S * 11/2015 Tschopp D32/15
 D746,004 S * 12/2015 Murray D32/15
 D747,050 S * 1/2016 Martin D32/15
 D748,876 S * 2/2016 Carl D32/15
 D748,877 S * 2/2016 Tirone D32/15
 D812,825 S * 3/2018 Smith D32/15
 D828,125 S 9/2018 Dretzka et al.
 D832,669 S 11/2018 Dretzka et al.
 D834,270 S * 11/2018 Naslund D32/15
 D834,271 S * 11/2018 Naslund D32/15
 D853,061 S 7/2019 Dretzka et al.
 D853,669 S 7/2019 Qiu et al.
 D854,264 S 7/2019 Tucker
 D854,265 S 7/2019 Wachter et al.

D854,387 S 7/2019 Dretzka et al.
 D859,950 S 9/2019 Dretzka et al.
 D862,818 S 10/2019 Bruneel
 D862,819 S 10/2019 Xu
 D877,779 S * 3/2020 Dretzka D15/12
 2008/0127448 A1 * 6/2008 Kremsler E01H 1/0809
 15/330
 2008/0152487 A1 * 6/2008 Shaffer A47L 5/14
 415/208.1
 2012/0138717 A1 * 6/2012 Svoboda A01G 20/47
 241/56
 2013/0239357 A1 * 9/2013 Hoffman B65H 75/4476
 15/323

OTHER PUBLICATIONS

Greenworks “40V Lithium-ion Axial Blower 2400802.” Owner’s Manual. Greenworks Tools, 2015; 23 pages.
 Milwaukee “Operator’s Manual, M18 Blower.” Cat. No. 2728-20, Milwaukee Tool, 2016; 16 pages.
 Ryobi “Operator’s Manual, 40 Volt Blower, RY40402.” Techtronic Industries North America, Inc., 2014; 30 pages.
 Toro “Rake and Vac™ and Super Blower/Vacuum; Model No. 51617—Serial No. 314000001 and Up; Model No. 51618—Serial No. 314000001 and Up” Operator’s Manual. Form No. 3378-473 Rev A, The Toro Company, Copyright 2013; 8 pages.
 Toro “Hand-Held Sweeper Blower; Model No. 51701—Serial No. 313000001 and Up; Model No. 51701T—Serial No. 313000001 and Up; Model No. 51702—Serial No. 313000001 and Up; Model No. 51702T—Serial No. 313000001 and Up” Operator’s Manual. Form No. 3378-748 Rev A, The Toro Company, Copyright 2013; 8 pages.
 Worx “40V MAX Lithium Cordless Blower WG580.” Operator’s Manual. Positec, Copyright 2016; 24 pages.

* cited by examiner

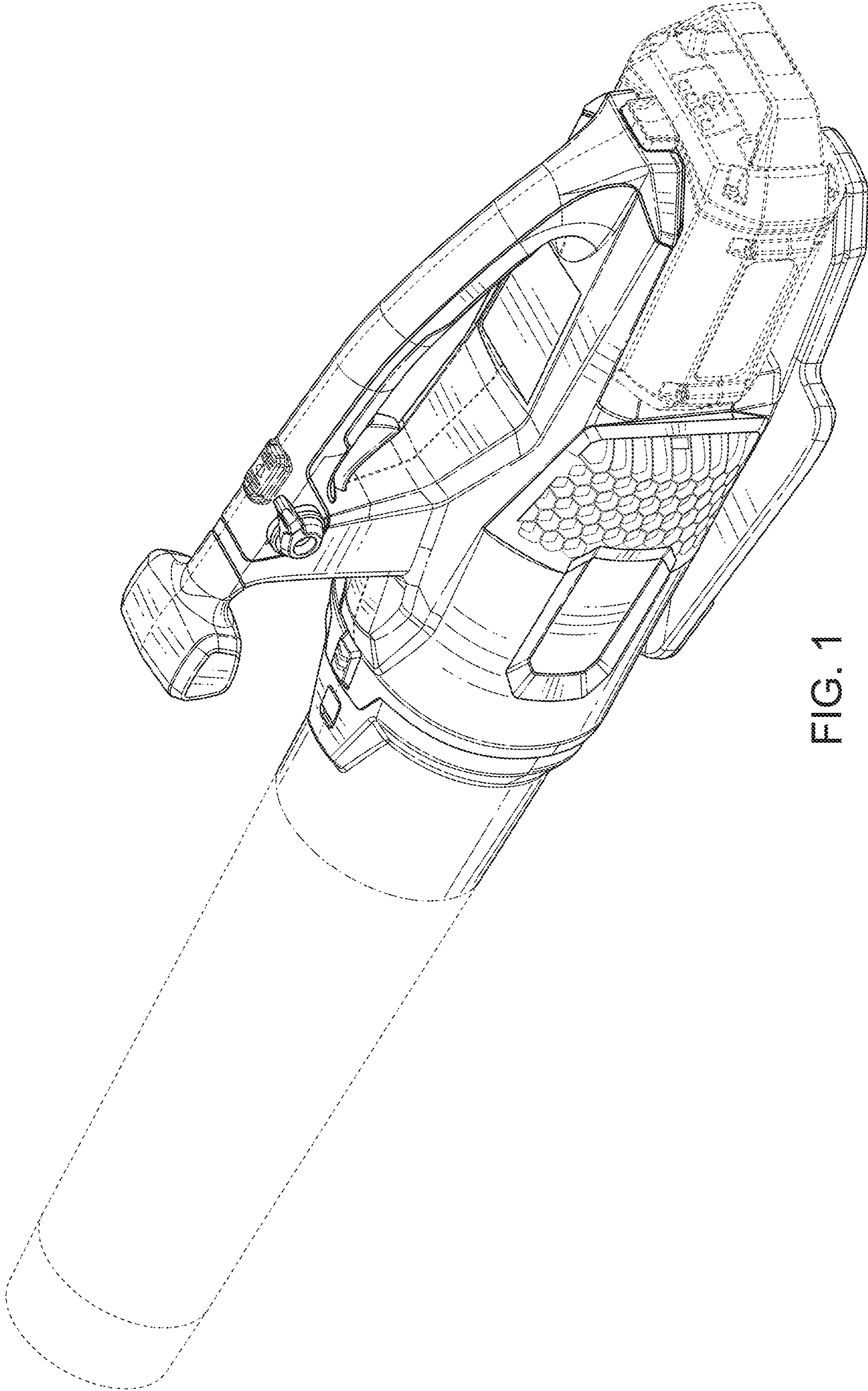


FIG. 1

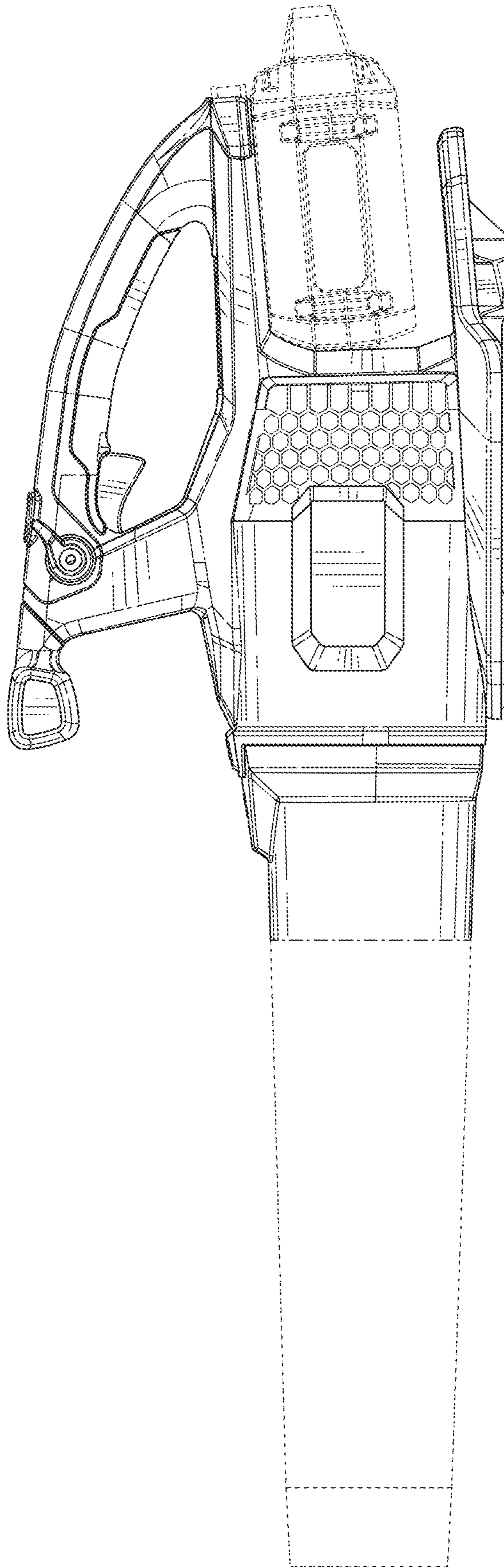


FIG. 2

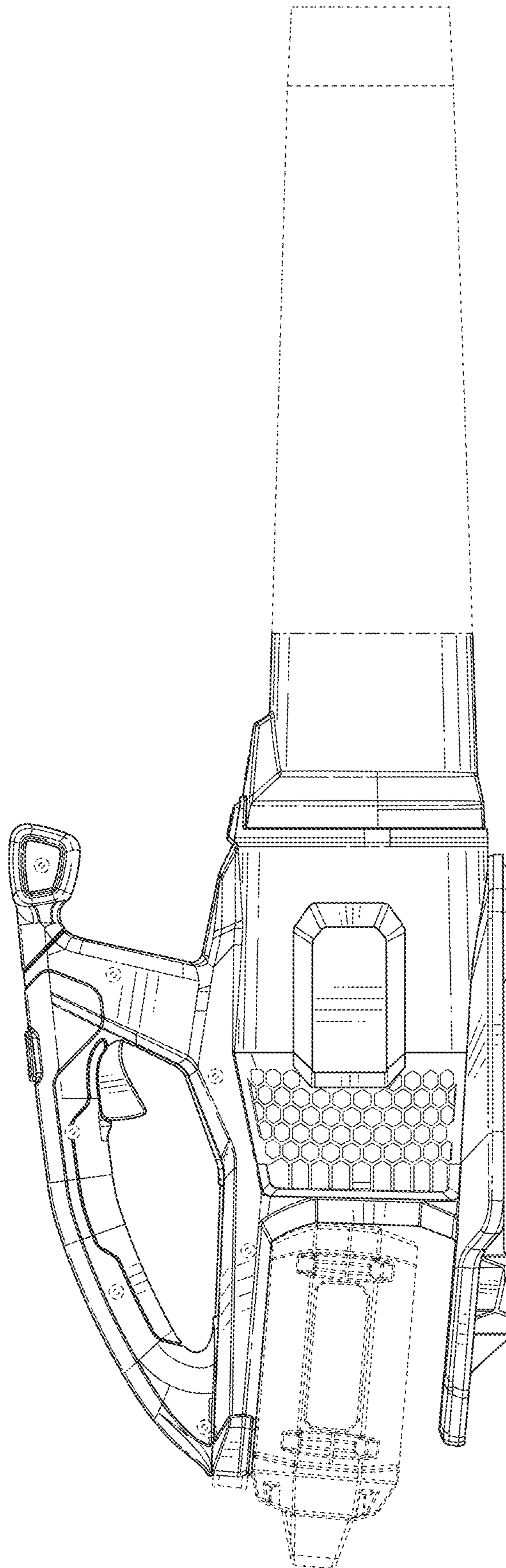


FIG. 3

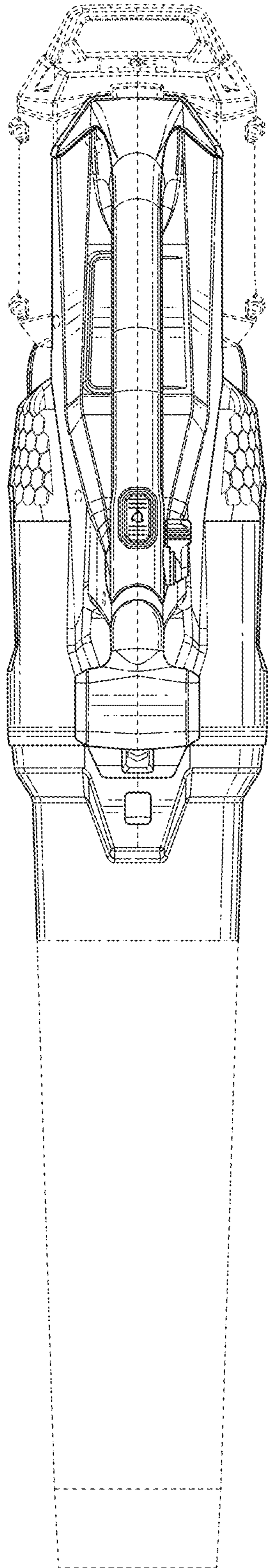


FIG. 4

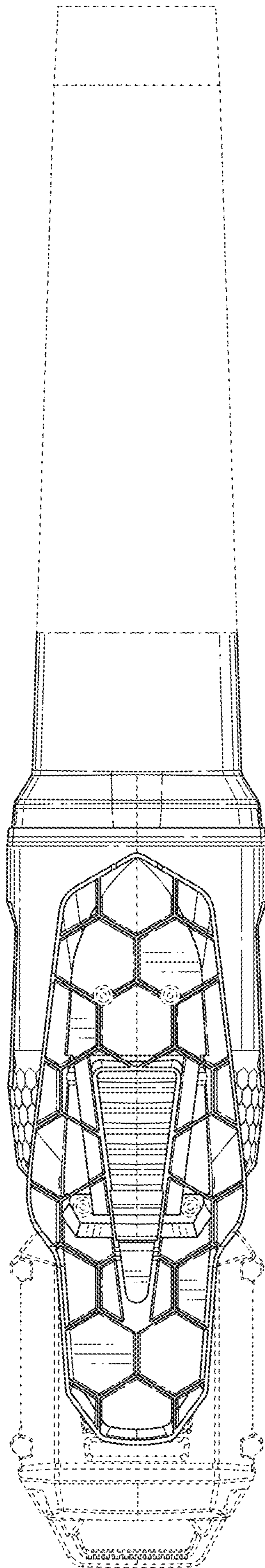


FIG. 5

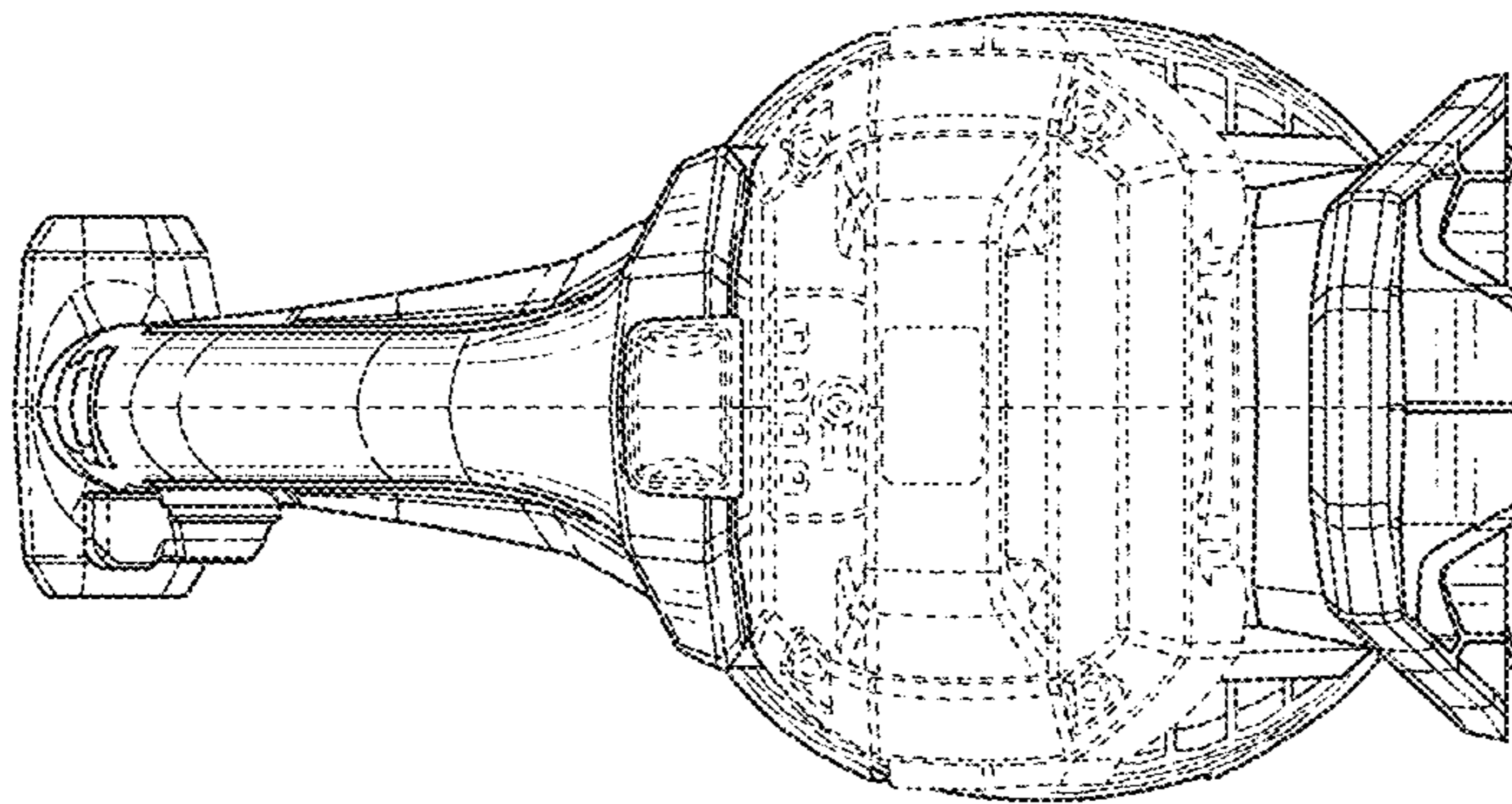


FIG. 6

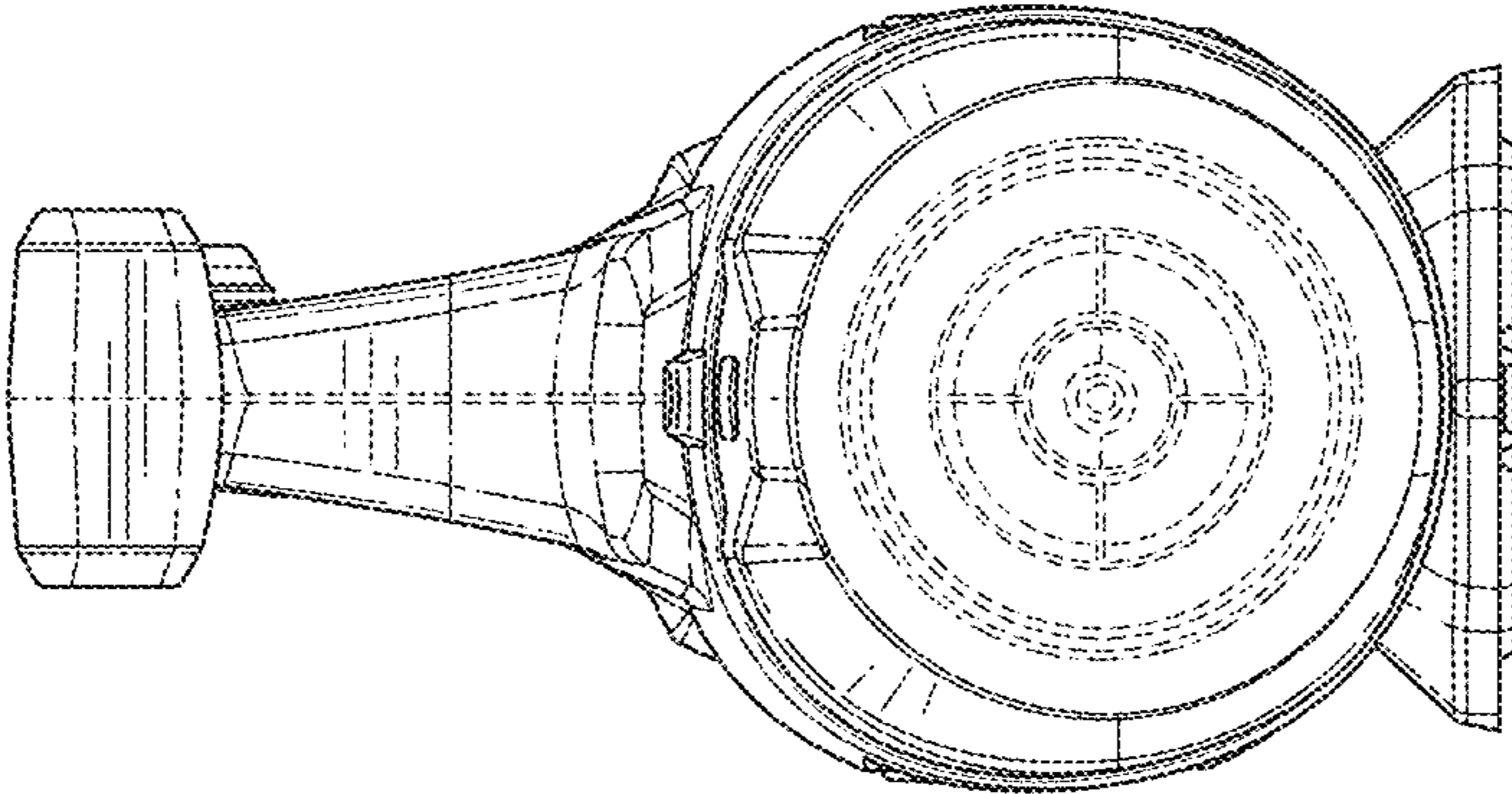


FIG. 7

UNITED STATES PATENT AND TRADEMARK OFFICE
CERTIFICATE OF CORRECTION

PATENT NO. : D926,397 S
APPLICATION NO. : 29/718711
DATED : July 27, 2021
INVENTOR(S) : Dretzka et al.

Page 1 of 1

It is certified that error appears in the above-identified patent and that said Letters Patent is hereby corrected as shown below:

On the Title Page

In Column 1, Item (72), 'Jianlong Chen, Jiangsu (CN)' should read -Jianlong Chen, Changzhou (CN)-

In Column 1, Item (72), 'Chang Wang, Jiangsu (CN)' should read -Chang Wang, Changzhou (CN)-

In Column 2, Item (74), 'Mooting Raasch Group' should read -Mueting Raasch Group-

Signed and Sealed this
Twenty-eighth Day of September, 2021



Drew Hirshfeld
*Performing the Functions and Duties of the
Under Secretary of Commerce for Intellectual Property and
Director of the United States Patent and Trademark Office*