



US00D926394S

(12) **United States Design Patent**
McIlvenna

(10) **Patent No.:** **US D926,394 S**

(45) **Date of Patent:** **** Jul. 27, 2021**

(54) **PET TOY**

A63B 2071/0602; A63B 21/0055; A63B
2207/02; A63B 2225/54; A63B 69/0053;
A63B 2047/043

(71) Applicant: **James McIlvenna**, Dublin (IE)

See application file for complete search history.

(72) Inventor: **James McIlvenna**, Dublin (IE)

(**) Term: **15 Years**

(56) **References Cited**

(21) Appl. No.: **29/717,201**

U.S. PATENT DOCUMENTS

(22) Filed: **Dec. 16, 2019**

(30) **Foreign Application Priority Data**

Jun. 14, 2019 (EM) 006581278

(51) **LOC (13) Cl.** **30-99**

(52) **U.S. Cl.**
USPC **D30/160**

(58) **Field of Classification Search**
USPC D21/398, 400, 402, 412, 415, 426, 436,
D21/439, 440, 441, 443, 455, 460-462,
D21/466-468, 479, 495, 563, 656, 712,
D21/713, 788, 799.1, 470, 681; D24/211,
D24/214, 215, 193-195; D30/108-120,
D30/158-161; D1/125-127
CPC A63H 5/00; A63H 33/26; A63H 33/18;
A63H 29/22; A63H 29/24; A63H
2200/00; A63H 11/00; A63H 13/00;
A63H 18/02; A63H 18/14; A63H 18/16;
A63H 29/00; A63H 33/009; A63H 33/22;
A63H 33/3055; A63H 3/003; A63H
3/006; A63H 3/008; A63H 3/24; A63H
3/28; A63H 3/31; A63H 3/36; A63H
9/00; A63B 59/20; A63B 69/406; A63B
47/04; A63B 2220/51; A63B 2220/53;
A63B 2220/56; A63B 2220/805; A63B
2071/0625; A63B 2071/063; A63B
2220/17; A63B 2220/18; A63B 2220/40;
A63B 2220/803; A63B 2220/833; A63B
43/004; A63B 43/06; A63B 71/0622;

| | | | | |
|--------------|---------|------------|-------|---------|
| D456,959 S * | 5/2002 | Simon | | D30/160 |
| D545,509 S * | 6/2007 | Wang | | D30/160 |
| D672,927 S * | 12/2012 | Bertsch | | D30/160 |
| D673,740 S * | 1/2013 | Burger | | D30/160 |
| D687,606 S * | 8/2013 | Burger | | D30/160 |
| D722,730 S * | 2/2015 | Simon | | D30/160 |
| D736,483 S * | 8/2015 | Crane | | D30/160 |
| D746,002 S * | 12/2015 | Crane | | D30/160 |
| D817,562 S * | 5/2018 | Markham | | D30/160 |
| D840,116 S * | 2/2019 | Steinkraus | | D30/160 |
| D848,683 S * | 5/2019 | Pinto | | D30/160 |
| D848,684 S * | 5/2019 | Renforth | | D30/160 |
| D870,987 S * | 12/2019 | Murray | | D30/160 |
| D872,391 S * | 1/2020 | Crane | | D30/160 |

(Continued)

Primary Examiner — Sheryl Lane

Assistant Examiner — Aula Soroush

(74) *Attorney, Agent, or Firm* — Withrow & Terranova,
P.L.L.C.

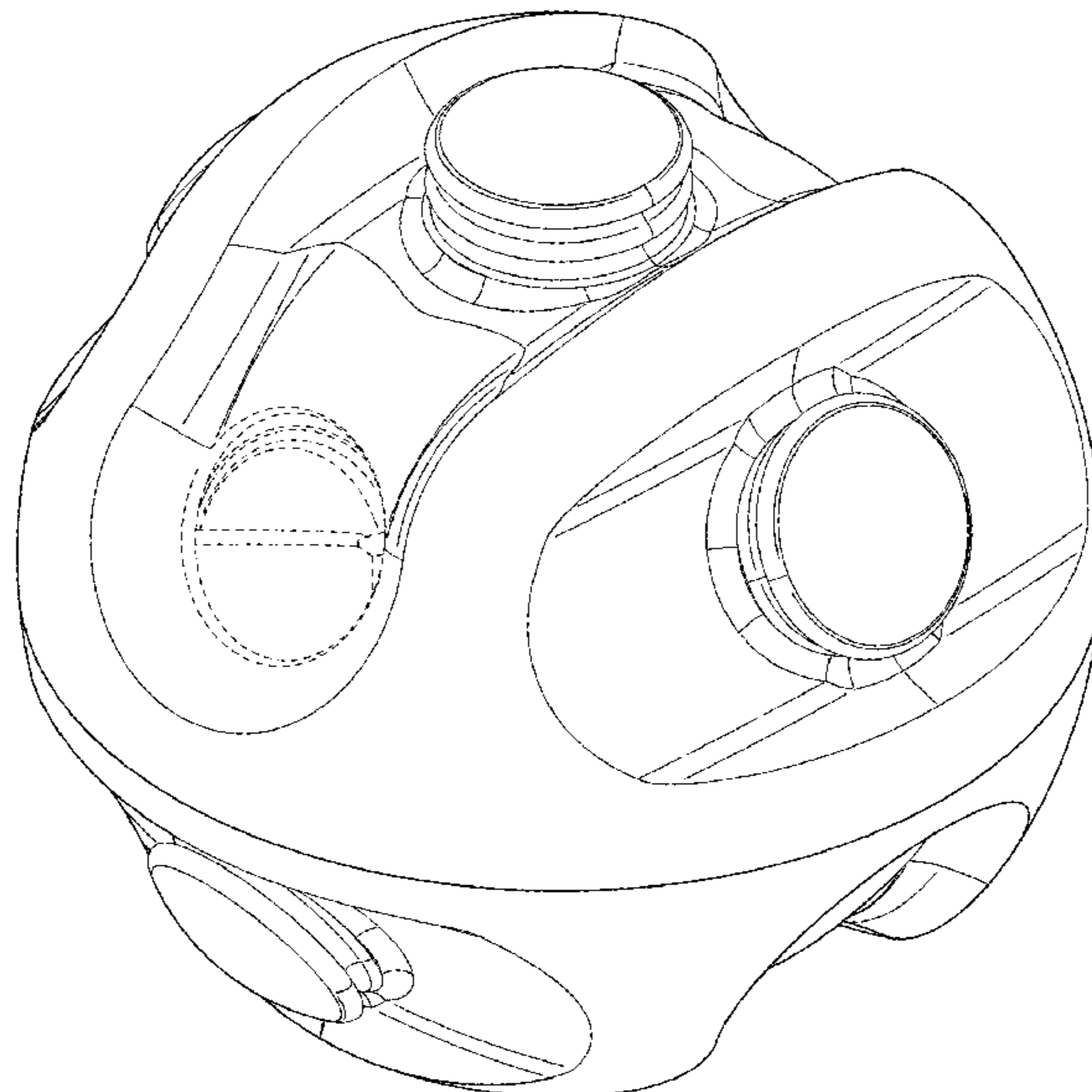
(57) **CLAIM**

The ornamental design for a pet toy, as shown and described.

DESCRIPTION

FIG. 1 is a front view of a pet toy according to the present disclosure (a back view being identical); FIG. 2 is a left side view of the pet toy of FIG. 1 (a right side view being identical); FIG. 3 is a bottom view of the pet toy of FIG. 1 (a top view being duplicative and rotationally offset); and, FIG. 4 is a perspective view of the pet toy of FIG. 1. The broken lines shown in the drawings illustrate portions of the pet toy that form no part of the claimed design.

1 Claim, 4 Drawing Sheets



(56)

References Cited

U.S. PATENT DOCUMENTS

D873,508 S * 1/2020 Loibl D30/160
D886,397 S * 6/2020 Baker D30/160

* cited by examiner

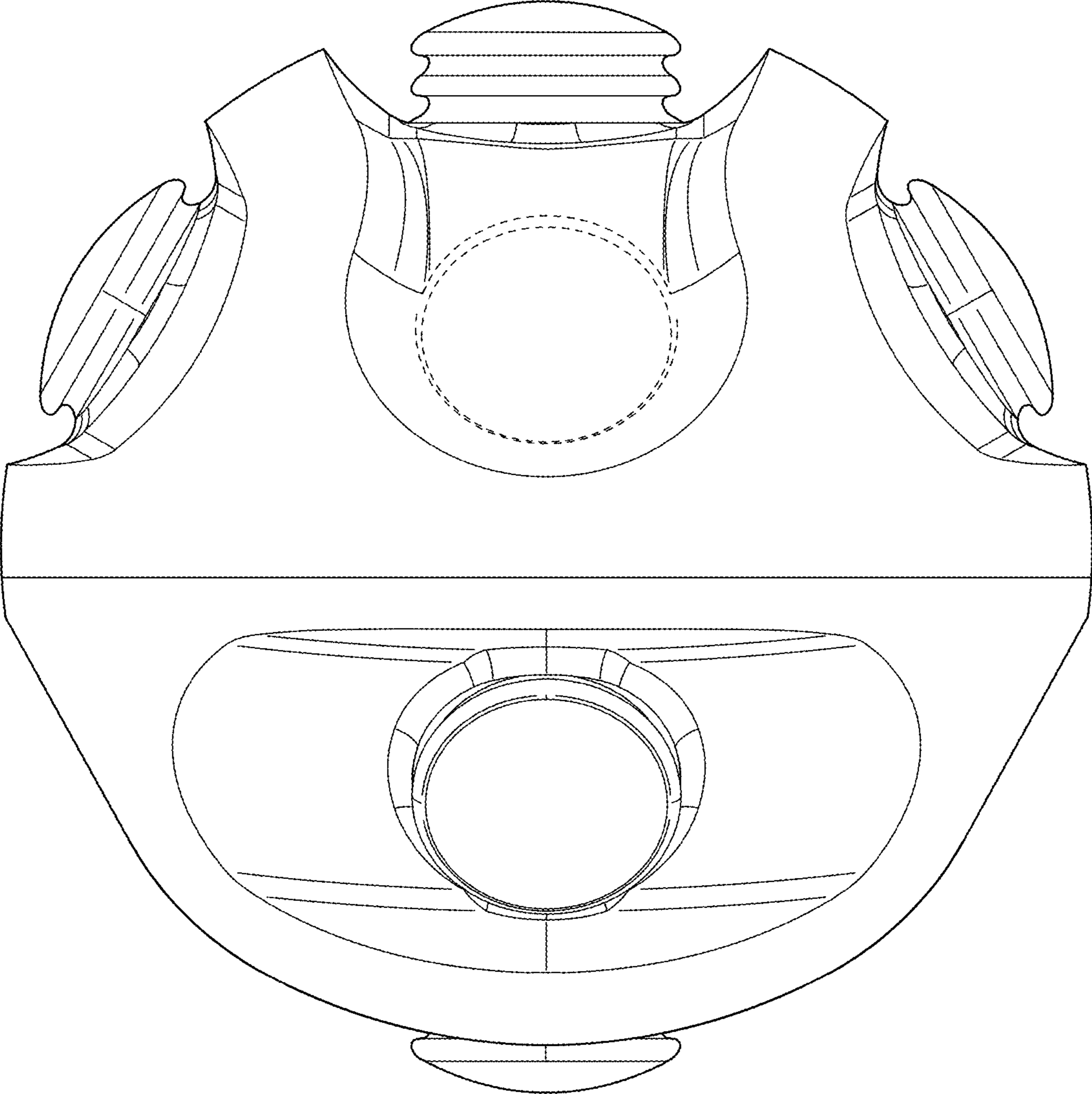


FIG. 1

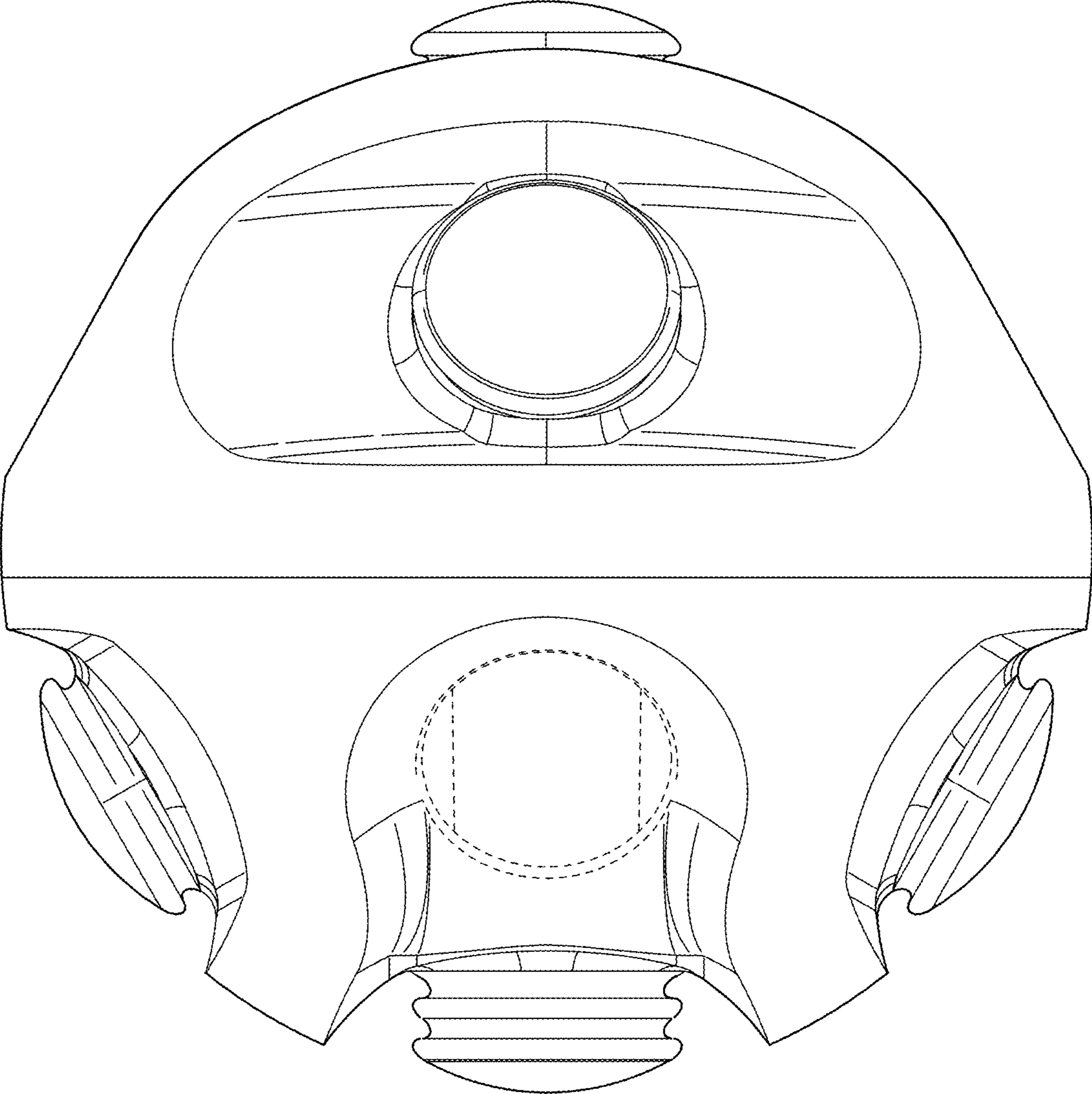


FIG. 2

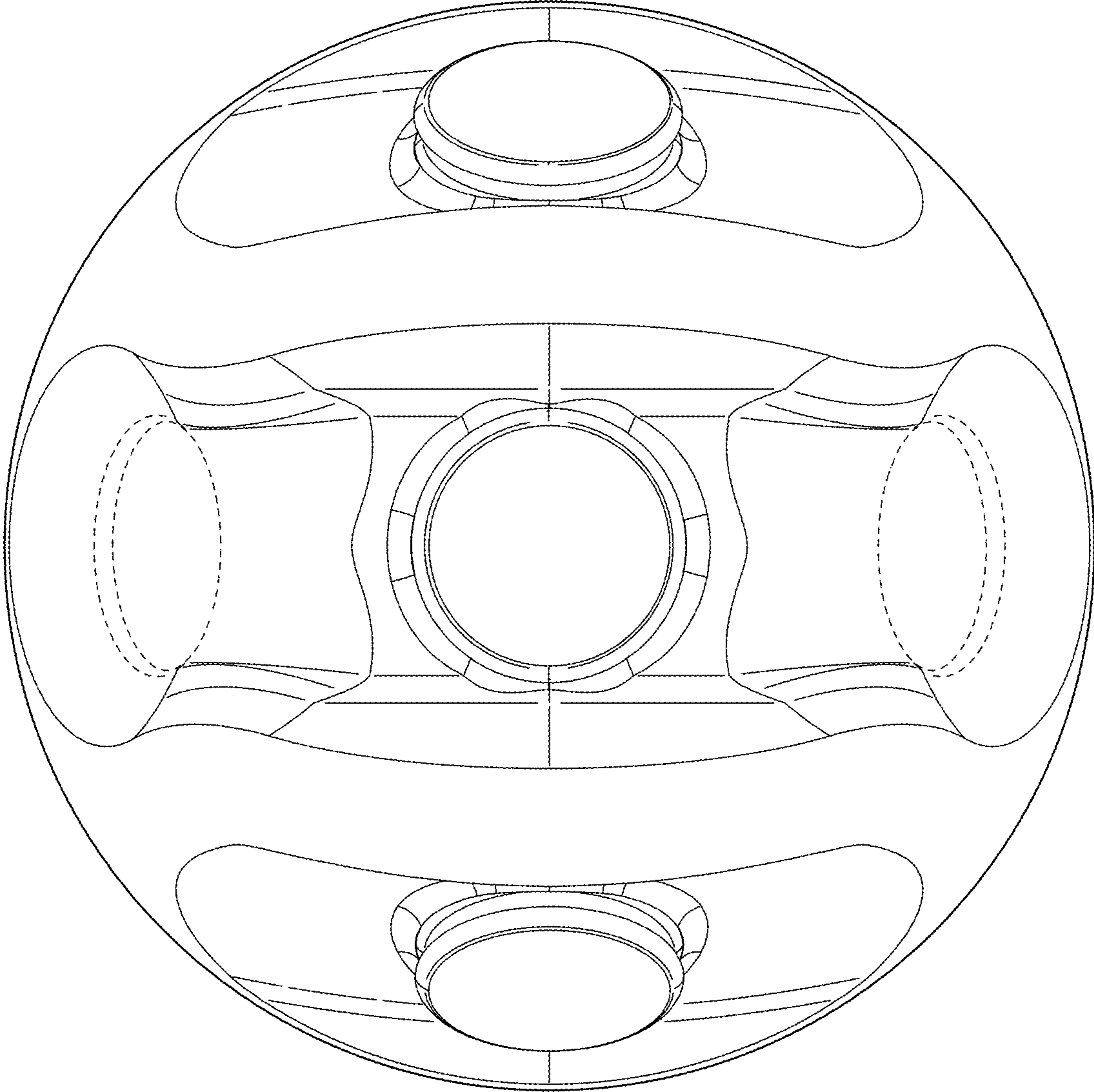


FIG. 3

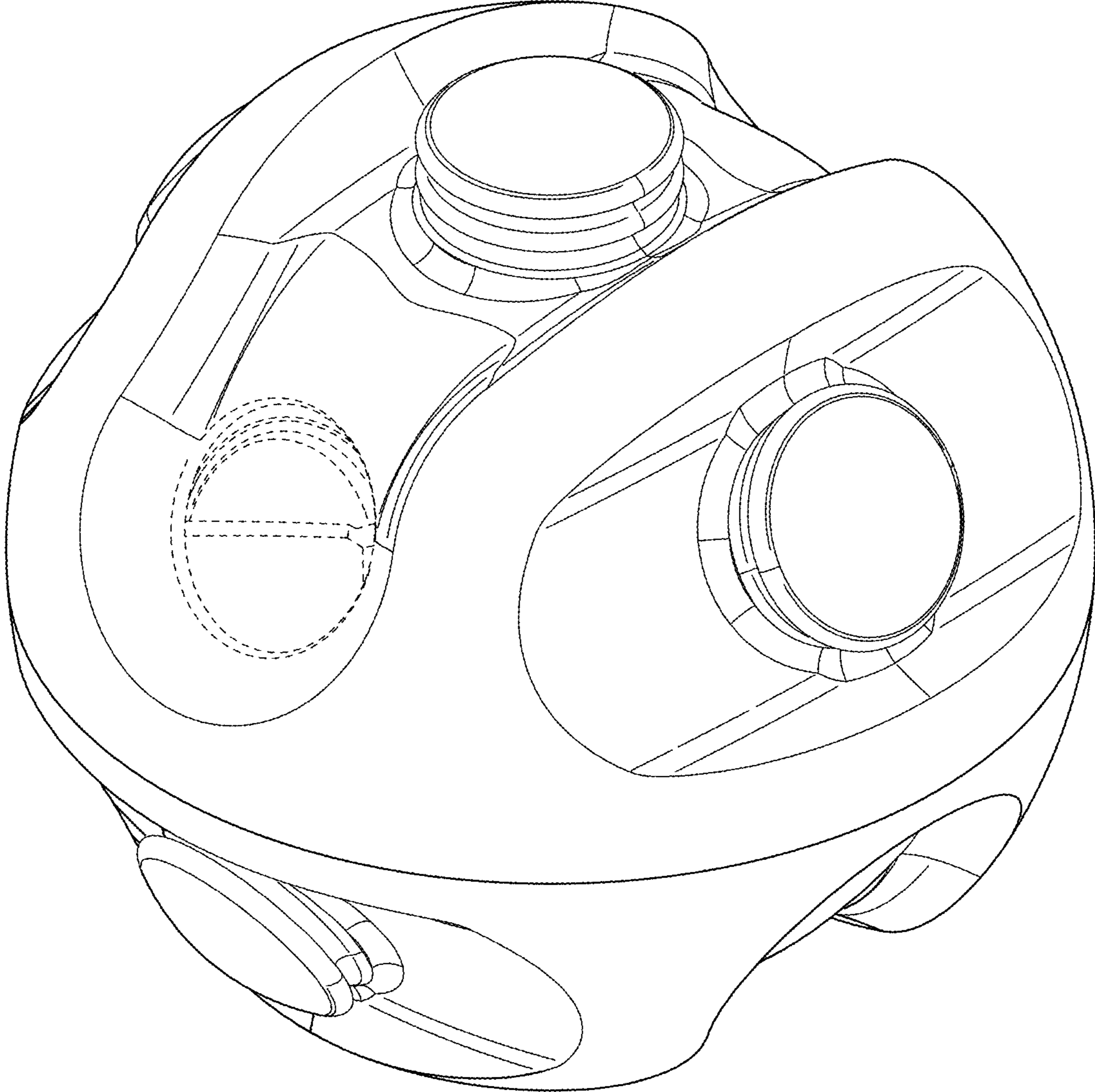


FIG. 4