



US00D926393S

(12) **United States Design Patent** (10) **Patent No.:** **US D926,393 S**  
**Le** (45) **Date of Patent:** **\*\* Jul. 27, 2021**

(54) **PET NIP DISPENSER**  
(71) Applicant: **Justice Thao Le**, Ontario, CA (US)  
(72) Inventor: **Justice Thao Le**, Ontario, CA (US)  
(\*\*) Term: **15 Years**  
(21) Appl. No.: **29/637,904**  
(22) Filed: **Feb. 22, 2018**  
(51) **LOC (13) Cl.** ..... **30-99**  
(52) **U.S. Cl.**  
USPC ..... **D30/160**; D30/121  
(58) **Field of Classification Search**  
USPC ..... D30/121, 160, 199; 119/707-711, 51.01,  
119/51.11, 51.13, 51.15; D21/713, 707,  
D21/505, 398, 386, 498, 479, 499;  
D14/233; D19/1, 61; 434/214, 278;  
211/1; 273/155; 342/8; 428/66.5, 9;  
446/199, 92, 85; 473/569; D3/271.1;  
D9/430, 651, 545, 611, 719, 516, 519,  
D9/520, 523, 525, 529, 544, 549, 414,  
D9/417, 428, 555, 503, 505, 454, 439,  
D9/744, 689, 682, 552, 564; D28/91.1,  
D28/82, 80, 76, 89, 79  
CPC ..... A01K 5/02; A01K 5/0233; A01K 5/0241;  
A01K 5/025; A01K 5/0275; A01K  
5/0283; A01K 5/0291; A01K 15/00;  
A01K 15/02; A01K 15/025; A01K 15/026  
See application file for complete search history.

(56) **References Cited**  
U.S. PATENT DOCUMENTS  
D85,363 S \* 10/1931 Betts ..... D9/529  
D96,413 S \* 7/1935 Petaja ..... D9/645  
D112,545 S \* 12/1938 Younghusband ..... D9/504  
D166,827 S \* 5/1952 Schluttig ..... D15/144.2  
2,745,642 A \* 5/1956 Hermann ..... A47J 43/24  
366/130

3,663,259 A \* 5/1972 Barriere ..... C03C 17/32  
215/12.2  
D230,954 S \* 3/1974 Gregoriotti ..... D9/504  
4,021,125 A \* 5/1977 Berghahn ..... A45D 34/041  
401/213  
D291,179 S \* 8/1987 Frizon ..... D9/519  
D302,384 S \* 7/1989 Holewinski ..... D9/529  
D314,455 S \* 2/1991 Morton ..... D30/160  
D318,613 S \* 7/1991 Halm ..... D32/29.1  
D321,129 S \* 10/1991 Giuseppe ..... D9/502  
D321,476 S \* 11/1991 Alcover ..... D32/29.1  
D373,859 S \* 9/1996 Markham ..... D30/160  
D380,879 S \* 7/1997 Hernandez ..... D21/656  
D411,358 S \* 6/1999 Baiera ..... D30/160

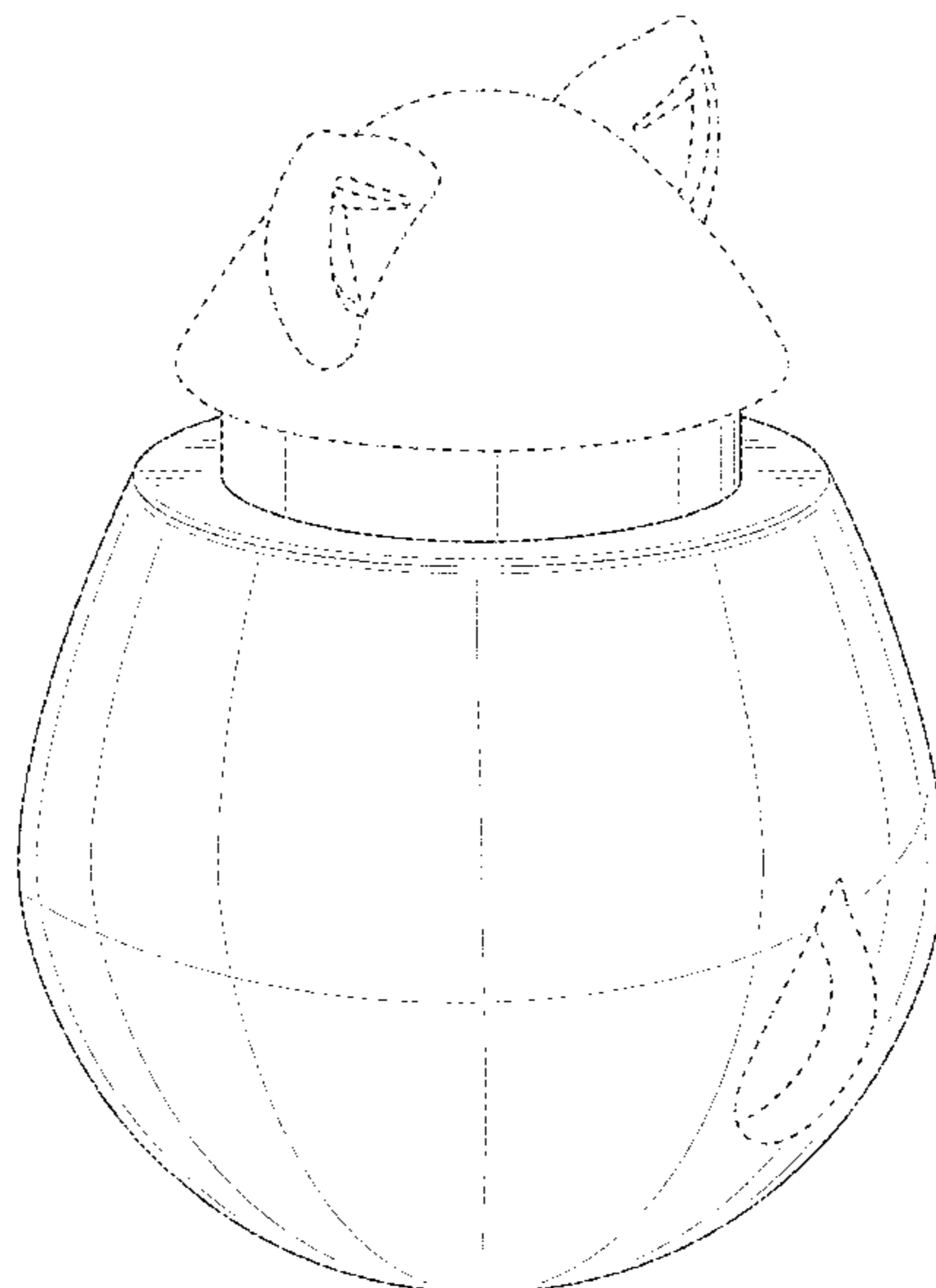
(Continued)

*Primary Examiner* — Susan Moon Lee  
(74) *Attorney, Agent, or Firm* — Pacifica IP

(57) **CLAIM**  
The ornamental design for a pet nip dispenser, as shown and described.

**DESCRIPTION**  
FIG. 1 shows a front perspective view of a pet nip dispenser;  
FIG. 2 shows a front plan view of the pet nip dispenser of FIG. 1;  
FIG. 3 shows a rear plan view of the pet nip dispenser of FIG. 1;  
FIG. 4 shows a right plan view of the pet nip dispenser of FIG. 1;  
FIG. 5 shows left plan view of the pet nip dispenser of FIG. 1;  
FIG. 6 shows a top plan view of the pet nip dispenser of FIG. 1;  
FIG. 7 shows a bottom plan view of the pet nip dispenser of FIG. 1; and,  
FIG. 8 shows an exploded perspective view of the pet nip dispenser of FIG. 1.  
The broken lines depict unclaimed portions of the Pet Nip Dispenser and form no part of the claimed design.

**1 Claim, 8 Drawing Sheets**



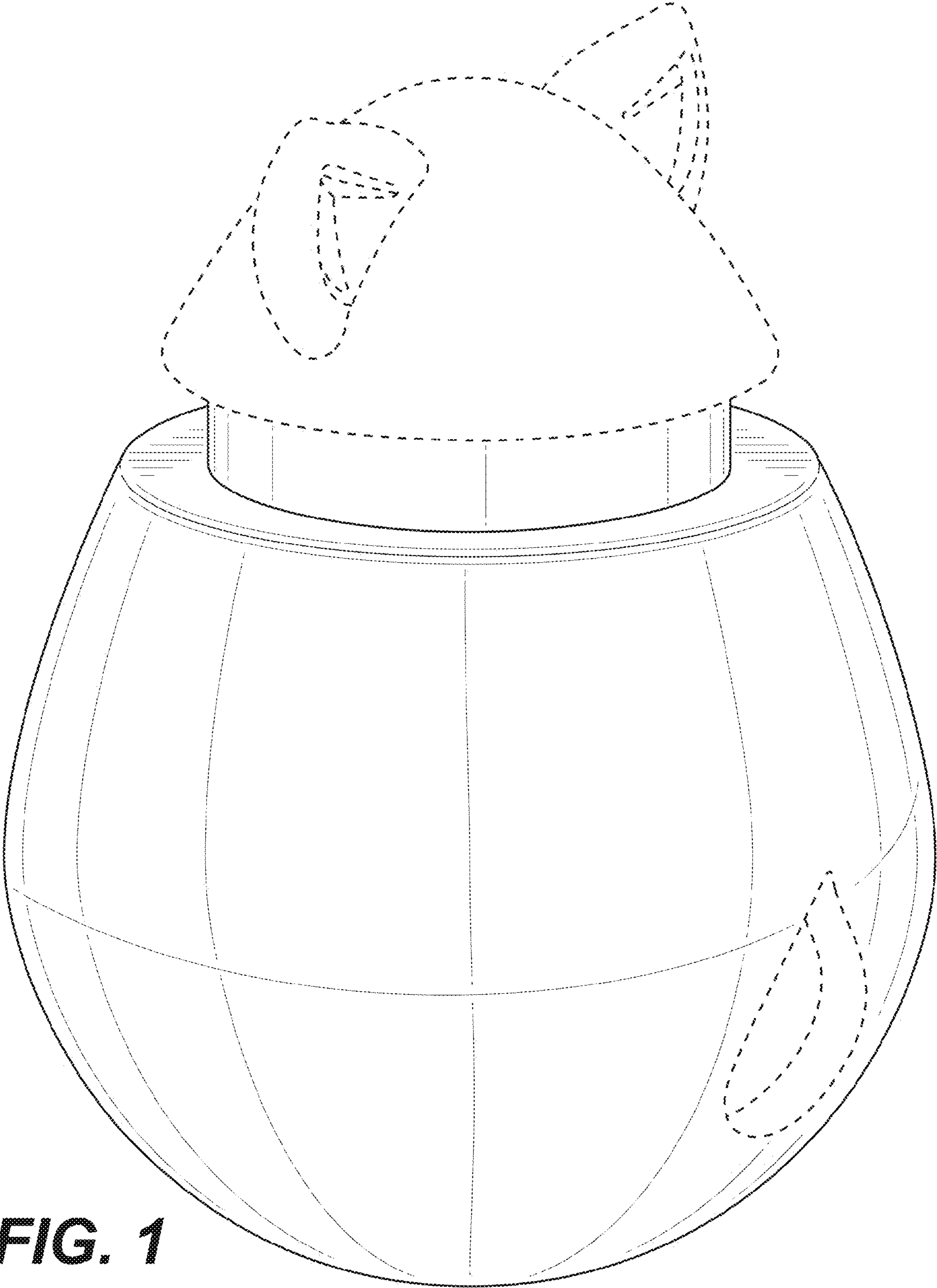
(56)

References Cited

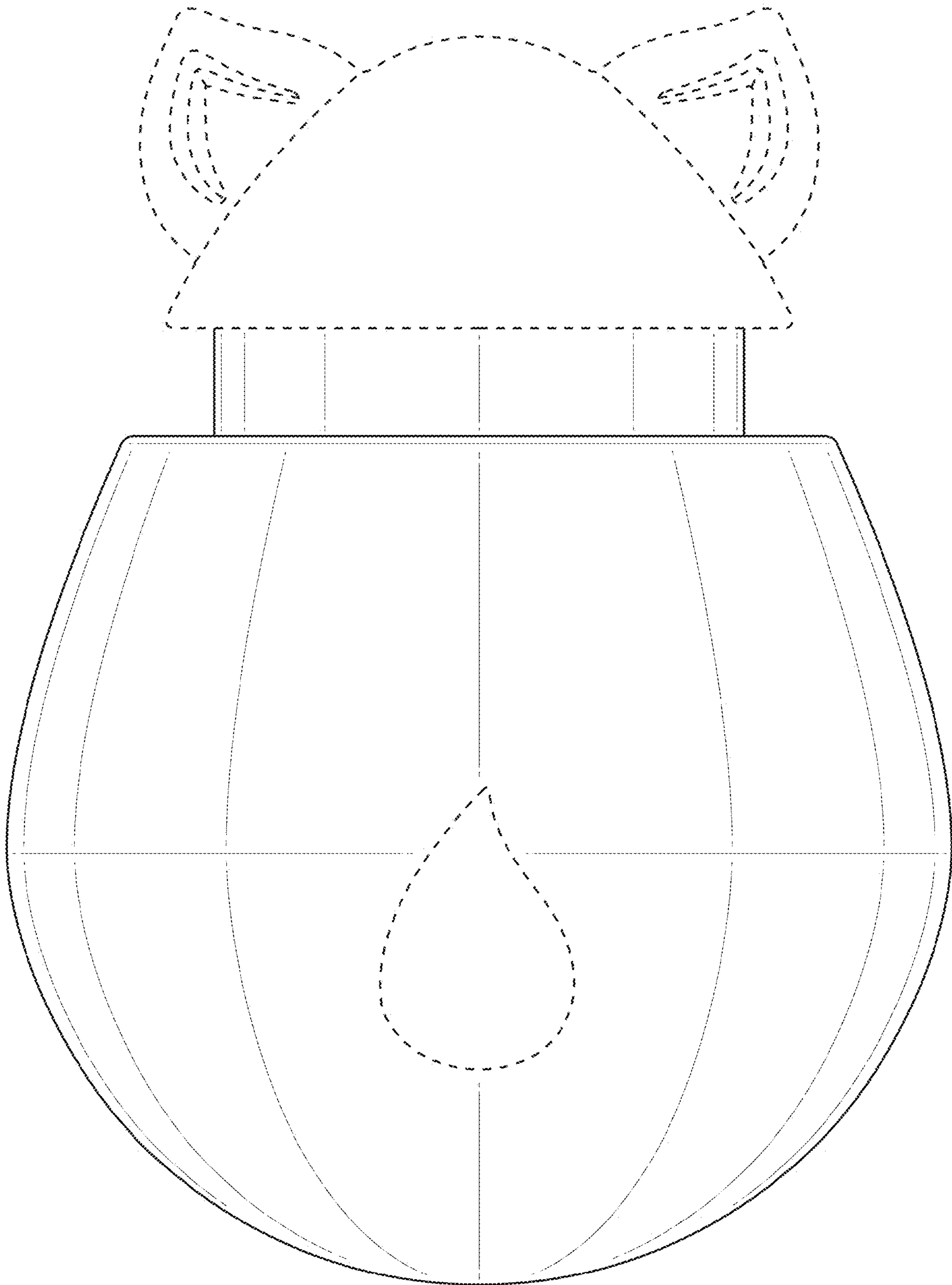
U.S. PATENT DOCUMENTS

D412,440 S *	8/1999	Chuang	D9/503
D412,767 S *	8/1999	Bemis	D30/160
D426,036 S *	5/2000	Willinger	D30/160
D427,055 S *	6/2000	Nicolas	D9/689
D434,324 S *	11/2000	Gobe	D28/76
D464,571 S *	10/2002	Hill	D9/519
D465,733 S *	11/2002	Hill	D9/519
D504,615 S *	5/2005	Papiernik	D9/519
D518,596 S *	4/2006	Angeletta	D28/7
D534,803 S *	1/2007	Tsai	D9/519
D544,655 S *	6/2007	Hass	D30/160
D545,509 S *	6/2007	Wang	D30/160
D554,529 S *	11/2007	Green	D9/726
D556,393 S *	11/2007	Rutherford	D21/601
D564,900 S *	3/2008	Green	D9/504
D565,413 S *	4/2008	Honkawa	D9/452
D565,807 S *	4/2008	Rutherford	D21/629
D568,553 S *	5/2008	Rutherford	D21/658
D573,026 S *	7/2008	Tsai	D9/435
D578,393 S *	10/2008	Canamasas Puigbo	D9/500
D582,291 S *	12/2008	de Baschmakoff	D9/560
D584,154 S *	1/2009	Fitzsimmons	D7/590
D585,303 S *	1/2009	Fitzsimmons	D7/590
D588,007 S *	3/2009	Limongi	D9/443
D594,606 S *	6/2009	DeSeguirant, Jr.	D30/160
D596,950 S *	7/2009	Nevins	D9/503
D603,266 S *	11/2009	Dibnah	D9/529
D610,009 S *	2/2010	Prufer	D9/504
D612,245 S *	3/2010	Canamasas Puigbo	D9/519
D613,103 S *	4/2010	Misir	D6/542
D614,452 S *	4/2010	Ablo	D7/628
D615,867 S *	5/2010	Sagaseki	D9/529
D624,713 S *	9/2010	Rutherford	D30/160
D625,056 S *	10/2010	Kelly	D30/160
D626,000 S *	10/2010	Chertoff	D9/519
D626,421 S *	11/2010	Szymula	D9/559
D631,204 S *	1/2011	Dubitsky	D28/82
D644,939 S *	9/2011	Teller	D9/726
D652,181 S *	1/2012	Lee	D30/160
D652,586 S *	1/2012	Lee	D30/160
D657,252 S *	4/2012	Crapser	D9/504
D659,305 S *	5/2012	Song	D30/160
D661,849 S *	6/2012	Soto	D30/160
D677,583 S *	3/2013	In	D9/503
D681,278 S *	4/2013	Schlatter	D28/89
D688,836 S *	8/2013	Costello	D30/160
D695,116 S *	12/2013	Ahn	D9/503
8,651,308 B1 *	2/2014	Sung	A45D 40/00 220/4.25
D704,396 S *	5/2014	Chen	D30/160
D708,790 S *	7/2014	Schlatter	D28/89
D708,791 S *	7/2014	Schlatter	D28/89
D710,544 S *	8/2014	Shen	D28/77
D721,971 S *	2/2015	Antretter	D9/523
D726,028 S *	4/2015	Thompson	D9/726
D726,975 S *	4/2015	Kim	D30/160
D729,370 S *	5/2015	Chou	D23/366
D729,489 S *	5/2015	Bell	D99/5
D734,894 S *	7/2015	Schlatter	D28/85
D735,414 S *	7/2015	Schlatter	D28/85
D742,601 S *	11/2015	Holterhaus	D30/160
D743,803 S *	11/2015	Brandenburg	D9/564
D752,291 S *	3/2016	Schlatter	D28/87
D762,928 S *	8/2016	Lai	D30/160
D763,100 S *	8/2016	Antretter	D9/689
D763,699 S *	8/2016	Rasgon	D9/645
D764,712 S *	8/2016	Teller	D28/82
D764,713 S *	8/2016	Teller	D28/82
D771,326 S *	11/2016	Lai	D30/160
D772,481 S *	11/2016	Paquet	D28/7
D776,370 S *	1/2017	Miksovsky	D30/160
D778,502 S *	2/2017	Teller	D28/85
D778,503 S *	2/2017	Teller	D28/85
D779,737 S *	2/2017	Salmon	D28/85
D785,252 S *	4/2017	Comerford	D30/160
D786,513 S *	5/2017	Tome	D30/160
D790,051 S *	6/2017	Valentino	23/366
D790,350 S *	6/2017	Choi	D9/559
D793,236 S *	8/2017	Santos	D9/503
D795,078 S *	8/2017	Wojcik	D9/575
D797,553 S *	9/2017	Huang	D9/432
D803,060 S *	11/2017	Marina	D9/504
D804,099 S *	11/2017	Teller	D28/82
D807,591 S *	1/2018	Wills	D30/160
D814,301 S *	4/2018	Weinrich	D9/503
D816,203 S *	4/2018	Valentino	D23/366
D817,174 S *	5/2018	Weinrich	D9/503
D818,648 S *	5/2018	Cleij	D28/85
9,974,377 B2 *	5/2018	Keller	A45D 40/06
10,004,317 B2 *	6/2018	Keller	A45D 40/0068
D822,295 S *	7/2018	Woods	D30/160
D822,919 S *	7/2018	Woods	D30/160
D824,587 S *	7/2018	Dutton	D28/7
D827,219 S *	8/2018	Yan	D30/160
D833,078 S *	11/2018	Teller	D28/88
D835,993 S *	12/2018	Briggs	D9/543
D840,591 S *	2/2019	Villarreal	D28/7
D842,110 S *	3/2019	Marina	D9/504
D842,700 S *	3/2019	Blomberg	D9/500
D854,258 S *	7/2019	Woods	D30/160
D856,149 S *	8/2019	Orofino	D9/575
D858,888 S *	9/2019	Teller	D28/85
D858,889 S *	9/2019	Teller	D28/85
D858,890 S *	9/2019	Teller	D28/85
D858,891 S *	9/2019	Teller	D28/85
D858,908 S *	9/2019	Wilhelm	D30/160
D868,380 S *	11/2019	Teller	D28/85
D870,388 S *	12/2019	Cleij	D28/89
D870,879 S *	12/2019	Leadingham	D24/111
D870,974 S *	12/2019	Cleij	D28/89
D871,687 S *	12/2019	Mou	D30/160
D872,384 S *	1/2020	Crane	D30/160
D875,320 S *	2/2020	Teller	D28/89
D876,818 S *	3/2020	Lieberman	D3/203.1
10,582,754 B2 *	3/2020	Delia	A45D 40/00
D887,272 S *	6/2020	Bhat	D9/504
D888,937 S *	6/2020	Leadingham	D24/111
10,694,831 B2 *	6/2020	Keller	A45D 40/0068
D893,116 S *	8/2020	Wang	D30/160
D902,506 S *	11/2020	Yeung	D30/160
D904,190 S *	12/2020	Bhat	D9/454
D905,838 S *	12/2020	Carra	D23/356
D910,247 S *	2/2021	Wilson	D30/160
D913,800 S *	3/2021	Zohar	D9/643
D917,800 S *	4/2021	Yi	D30/160
D918,047 S *	5/2021	Kramarius	D9/529
2002/0008105 A1 *	1/2002	Herbstreit	A01K 67/033 220/4.25
2005/0126584 A1 *	6/2005	Hsu	A45D 40/26 132/218
2007/0017915 A1 *	1/2007	Weder	B65D 21/086 220/4.21
2007/0108092 A1 *	5/2007	Minuto	B65D 11/02 206/581
2009/0261097 A1 *	10/2009	Yamamoto	B65D 23/02 220/62.11
2011/0024316 A1 *	2/2011	Ginsburg	A45D 40/0068 206/385
2011/0135377 A1 *	6/2011	Teller	A45D 40/12 401/88
2012/0325810 A1 *	12/2012	Yamamoto	B29C 45/14836 220/62.22
2014/0105666 A1 *	4/2014	Teller	B29C 39/026 401/7
2017/0013936 A1 *	1/2017	Schlatter	A45D 33/02
2018/0255906 A1 *	9/2018	Delia	A45D 40/00

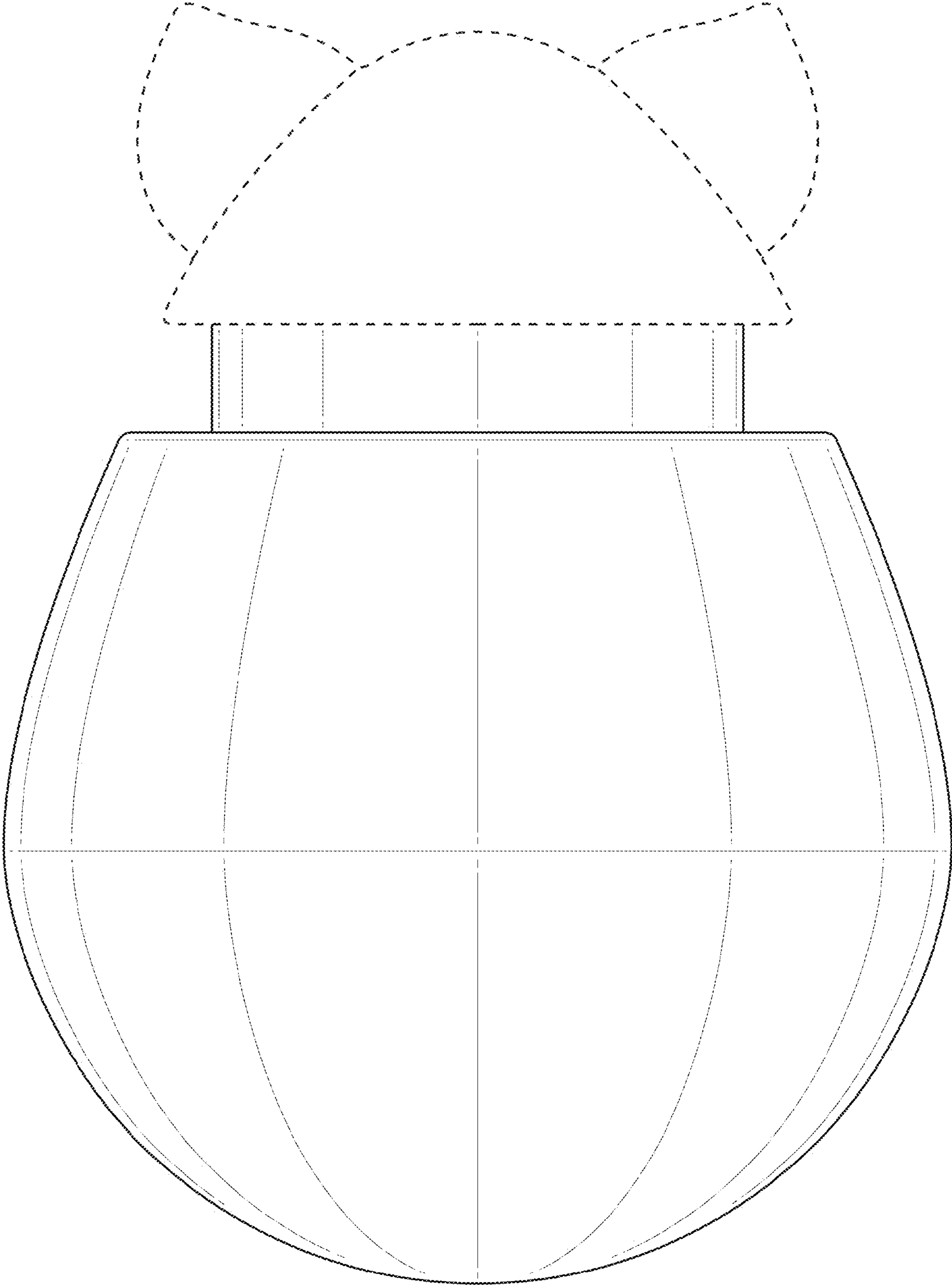
\* cited by examiner



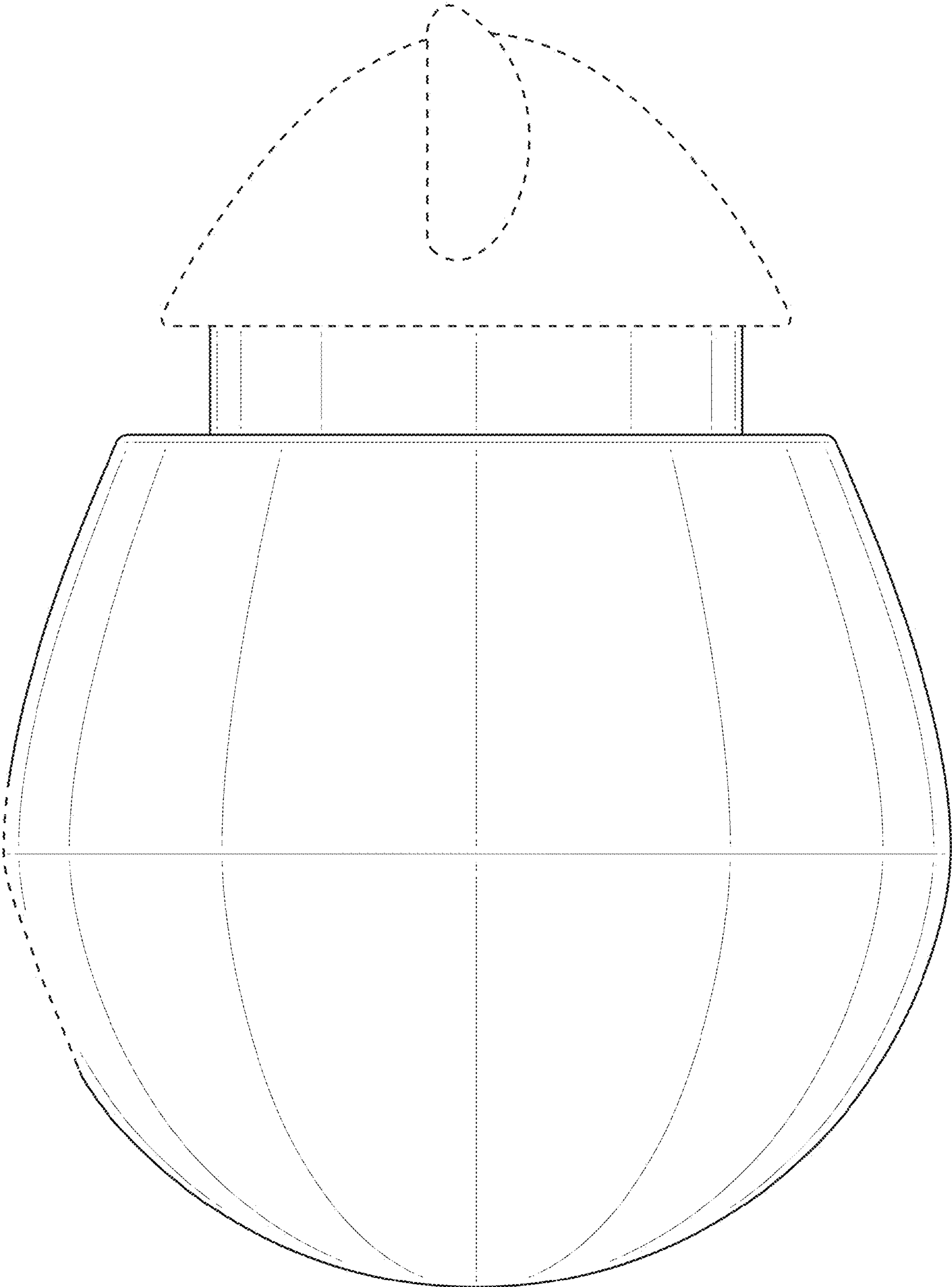
**FIG. 1**



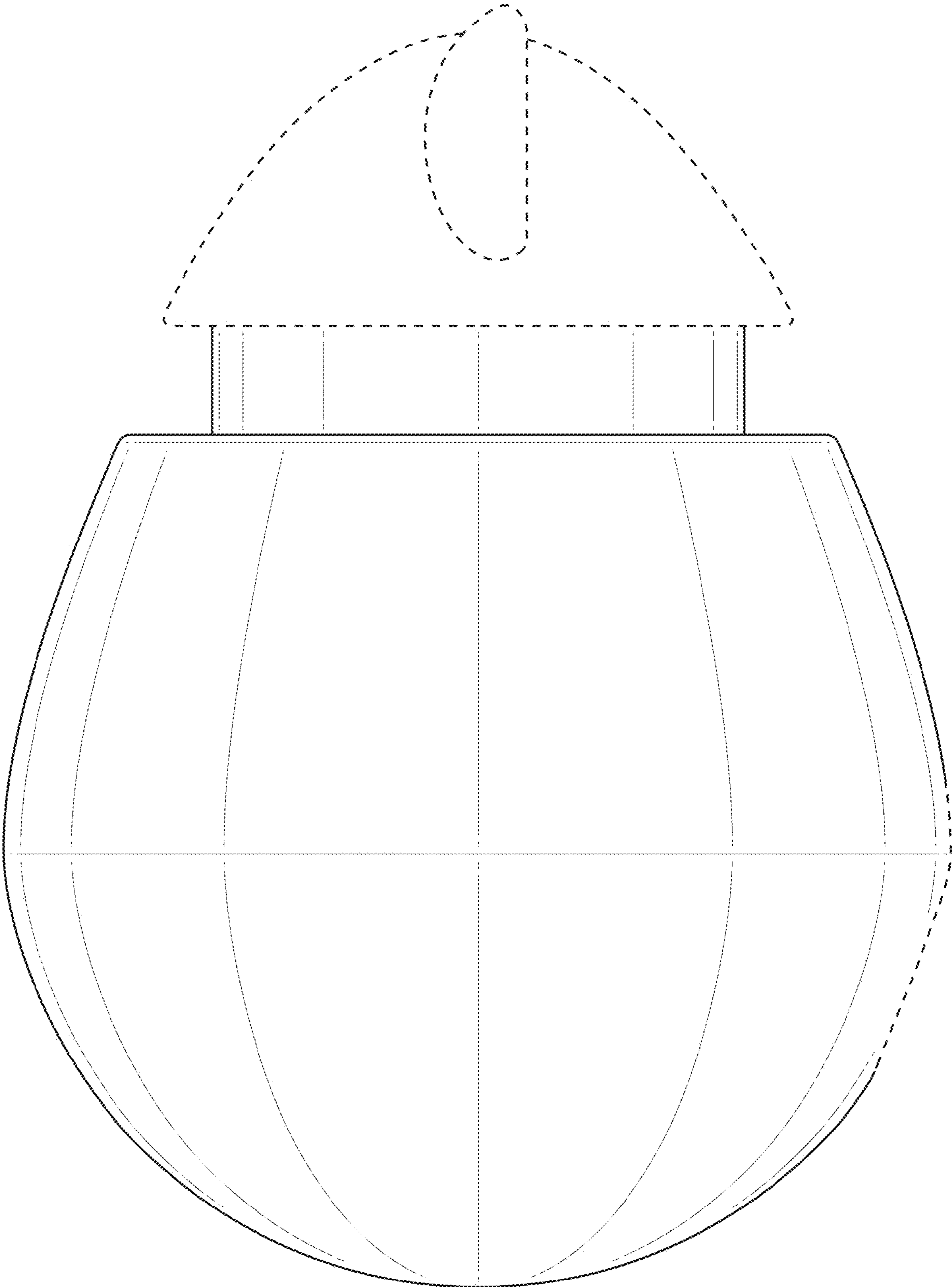
**FIG. 2**



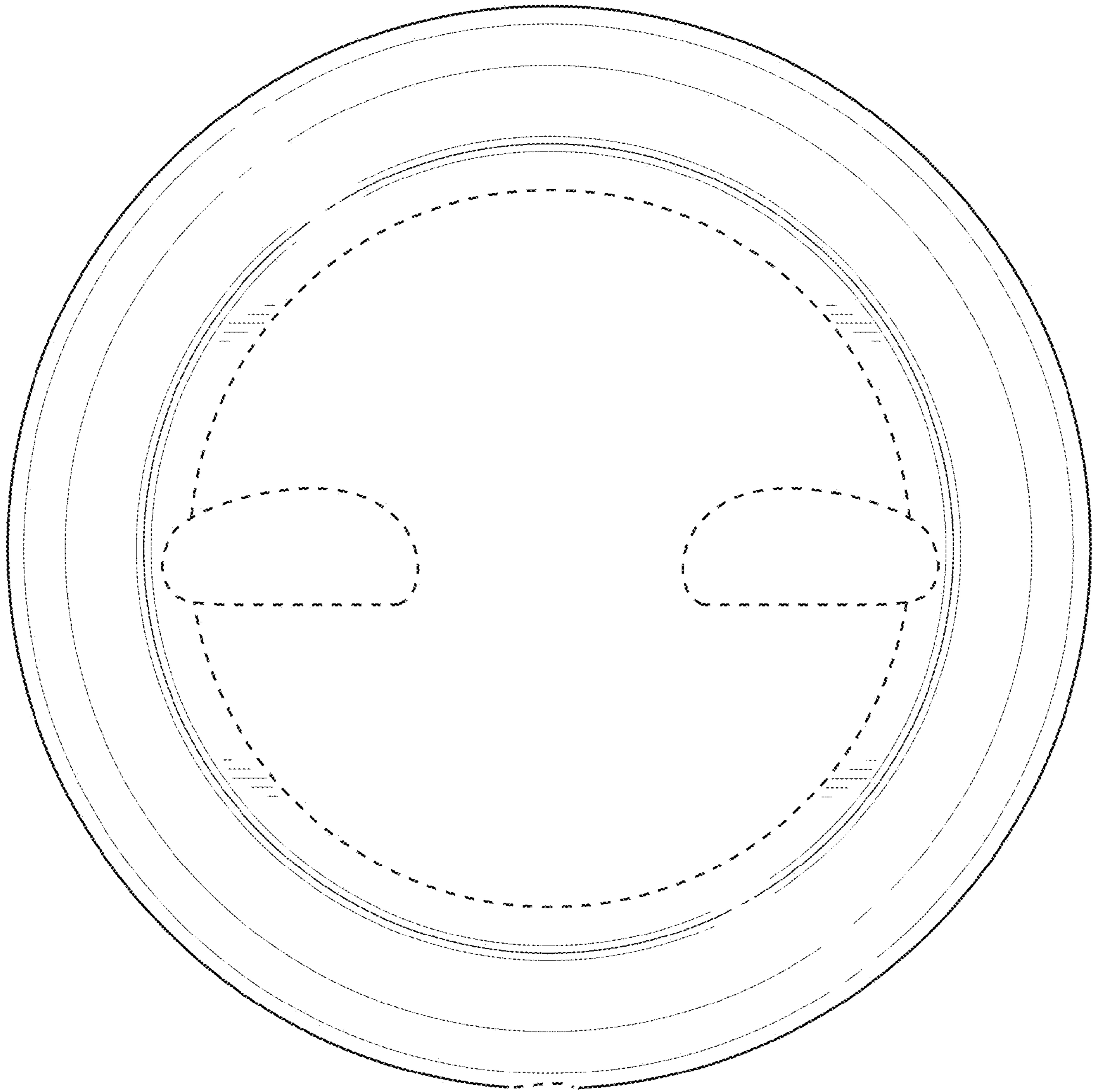
**FIG. 3**



**FIG. 4**

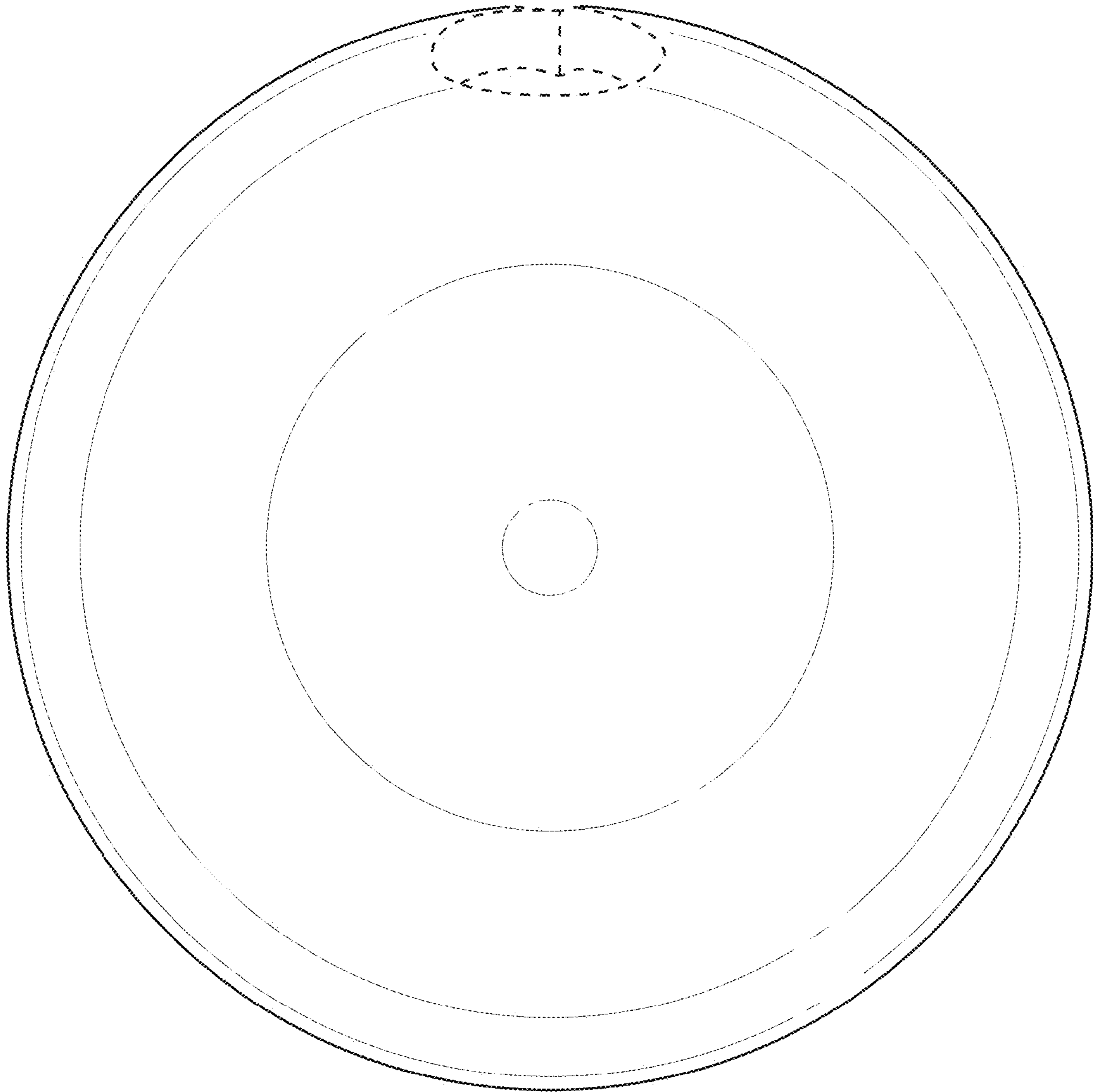


**FIG. 5**

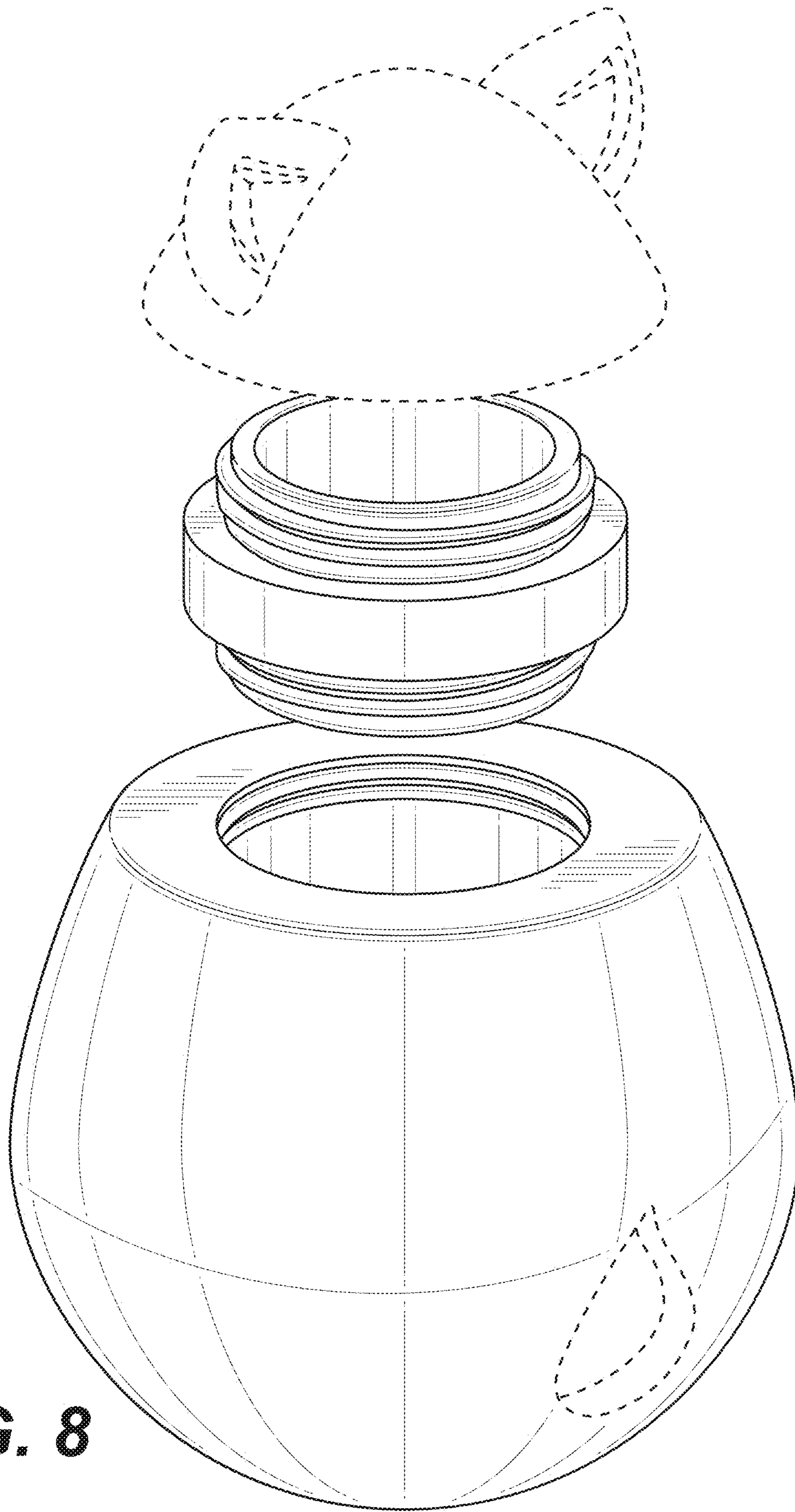


**FIG. 6**





**FIG. 7**



**FIG. 8**