



US00D926392S

(12) **United States Design Patent** (10) **Patent No.:** **US D926,392 S**  
**Peng** (45) **Date of Patent:** **\*\* Jul. 27, 2021**

(54) **PET FEEDER**

(71) Applicant: **BOLUO COUNTY YUANZHOU TOWN PENGXINDA WOOD CRAFT PRODUCTS FACTORY, Huizhou (CN)**

(72) Inventor: **Deng Peng, Huizhou (CN)**

(73) Assignee: **BOLUO COUNTY YUANZHOU TOWN PENGXINDA WOOD CRAFT PRODUCTS FACTORY, Huizhou (CN)**

(\*\*) Term: **15 Years**

(21) Appl. No.: **29/772,595**

(22) Filed: **Mar. 3, 2021**

(51) **LOC (13) Cl.** ..... **30-03**

(52) **U.S. Cl.**  
USPC ..... **D30/133; D30/121; D30/131**

(58) **Field of Classification Search**  
USPC ..... D30/133, 121, 128, 130, 132, 122, 129;  
119/52.1, 55, 61.5–61.56, 51.01, 51.03,  
119/59, 62, 63, 51.5, 57.8, 74, 61;  
D6/480–485; 248/188, 151; 312/204;  
108/153.1–157, 25–26; 220/23.87, 630,  
220/737, 743, 9.4, 495.01, 574, 212, 255,  
220/23.83, 575; 206/515, 557, 560, 562,  
206/563, 565; D7/586, 543, 550.1, 587,  
D7/505, 584, 545, 500, 553.1–553.8, 546,  
D7/555, 556, 504, 565, 562, 602, 507,  
D7/549, 558, 552.2, 560, 566, 548, 681;  
D9/429; 43/109; D22/122; 99/430,  
99/DIG. 15  
CPC ..... A01K 5/00; A01K 5/01; A01K 5/0107;  
A01K 5/0114; A01K 5/0121; A01K  
5/0128; A01K 5/0135; A01K 7/005

See application file for complete search history.

(56) **References Cited**

U.S. PATENT DOCUMENTS

4,105,091	A *	8/1978	Mahan .....	B23D 51/025 182/151
D446,611	S *	8/2001	Gunter .....	119/51.01
D777,993	S *	1/2017	Green .....	D30/133
D787,135	S *	5/2017	Green .....	D30/133
D802,853	S	11/2017	MacNeil et al.	
D813,469	S	3/2018	Conley	
D830,647	S *	10/2018	Le .....	D30/133
10,149,456	B2 *	12/2018	Diamond .....	A01K 5/0114
D846,816	S *	4/2019	Tsengas .....	A01K 7/00 D30/133
10,548,294	B1 *	2/2020	Price .....	F16M 11/2092
D884,431	S *	5/2020	Chiang .....	D7/554.3
D888,347	S *	6/2020	Price .....	D30/133

(Continued)

*Primary Examiner* — Susan Moon Lee

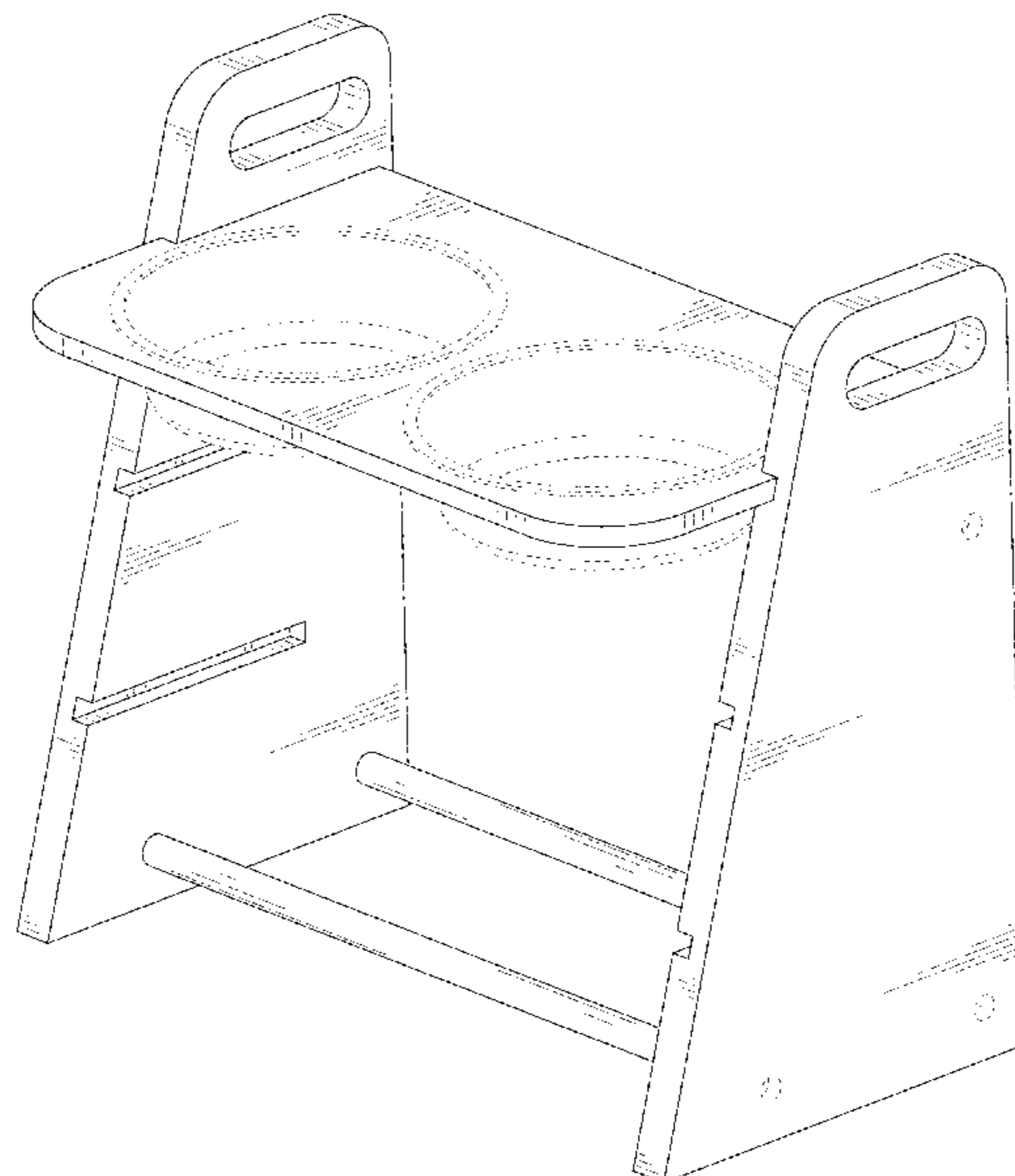
(57) **CLAIM**

The ornamental design for a pet feeder, as shown and described.

**DESCRIPTION**

FIG. 1 is a perspective view of a pet feeder showing my new design;  
FIG. 2 is another perspective view thereof;  
FIG. 3 is a front elevational view thereof;  
FIG. 4 is a rear elevational view thereof;  
FIG. 5 is a left side elevational view thereof;  
FIG. 6 is a right side elevational view thereof;  
FIG. 7 is a top plan view thereof;  
FIG. 8 is a bottom plan view thereof;  
FIG. 9 is a perspective view of the pet feeder where the pet feeder is in a first configuration of use;  
FIG. 10 is a perspective view of the pet feeder where the pet feeder is in a second configuration of use; and,  
FIG. 11 is an exploded perspective view of the pet feeder.  
The broken lines in the drawings depict portions of the pet feeder that form no part of the claimed design.

**1 Claim, 11 Drawing Sheets**



(56)

**References Cited**

U.S. PATENT DOCUMENTS

D896,448 S \* 9/2020 Sharer ..... D30/133  
D903,209 S \* 11/2020 Jiang ..... D30/133  
2015/0308615 A1\* 10/2015 Neaves ..... A01K 5/0114  
119/61.57  
2018/0343826 A1\* 12/2018 Kumar ..... A01K 5/0135

\* cited by examiner

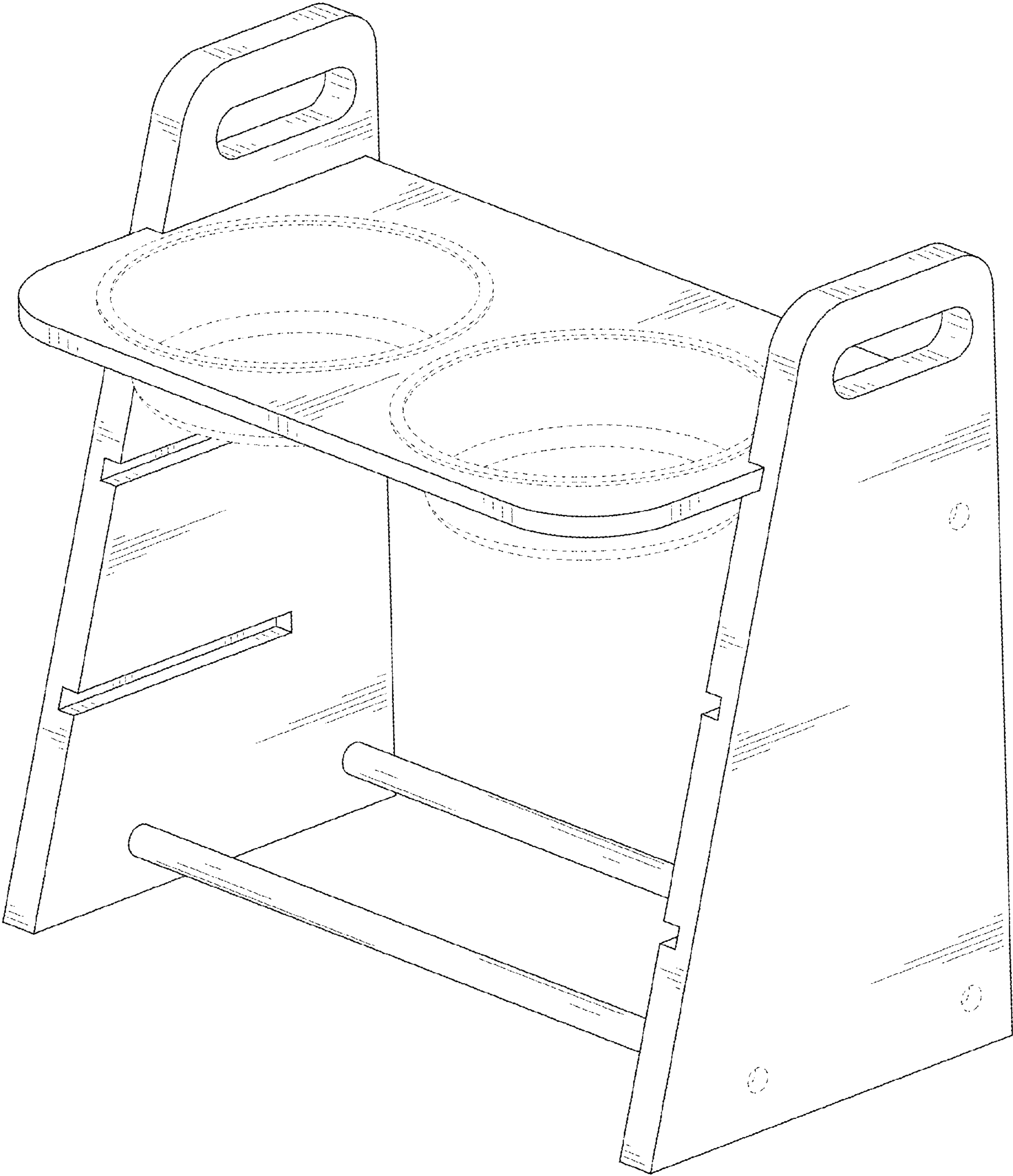


FIG. 1

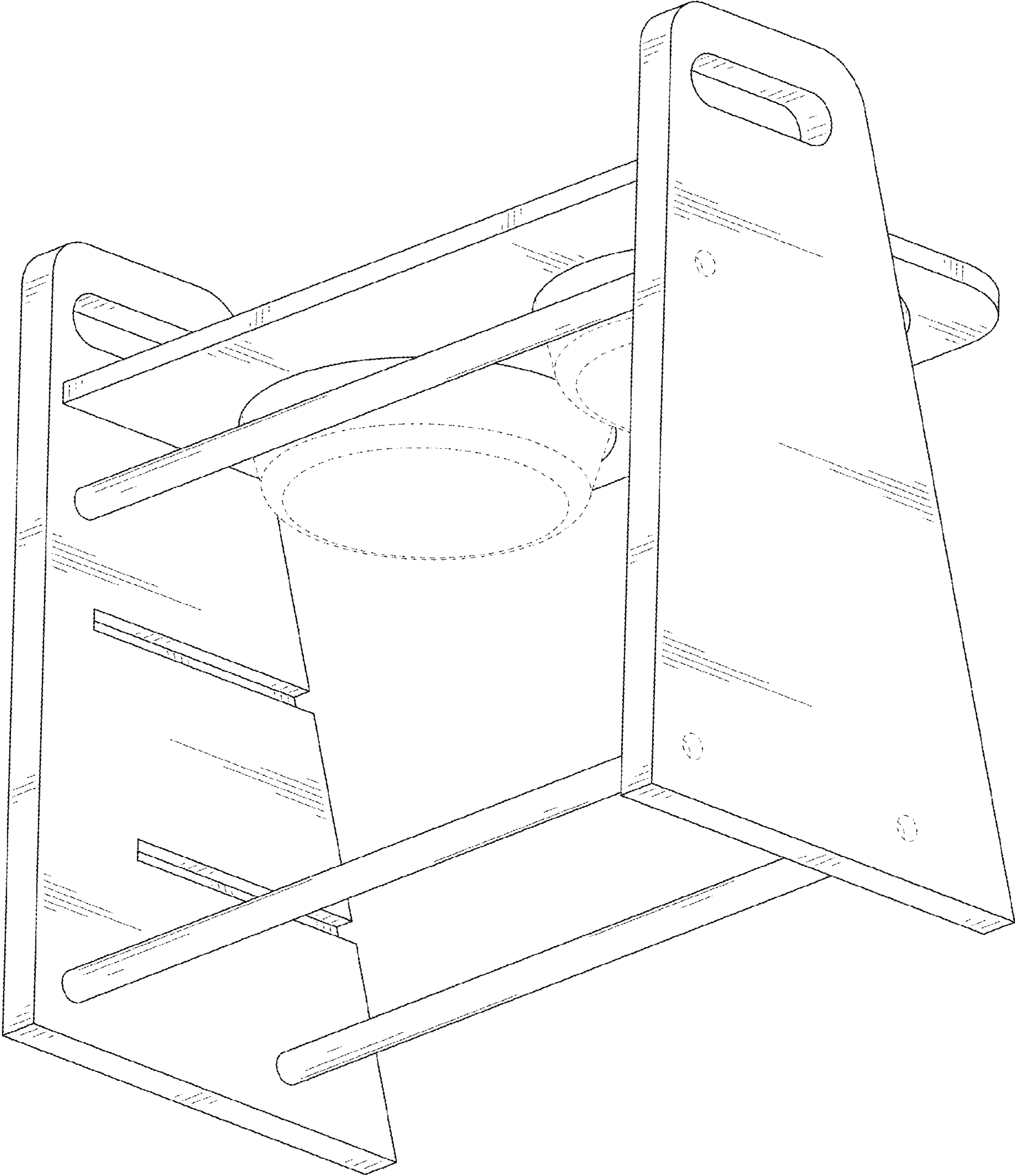


FIG. 2

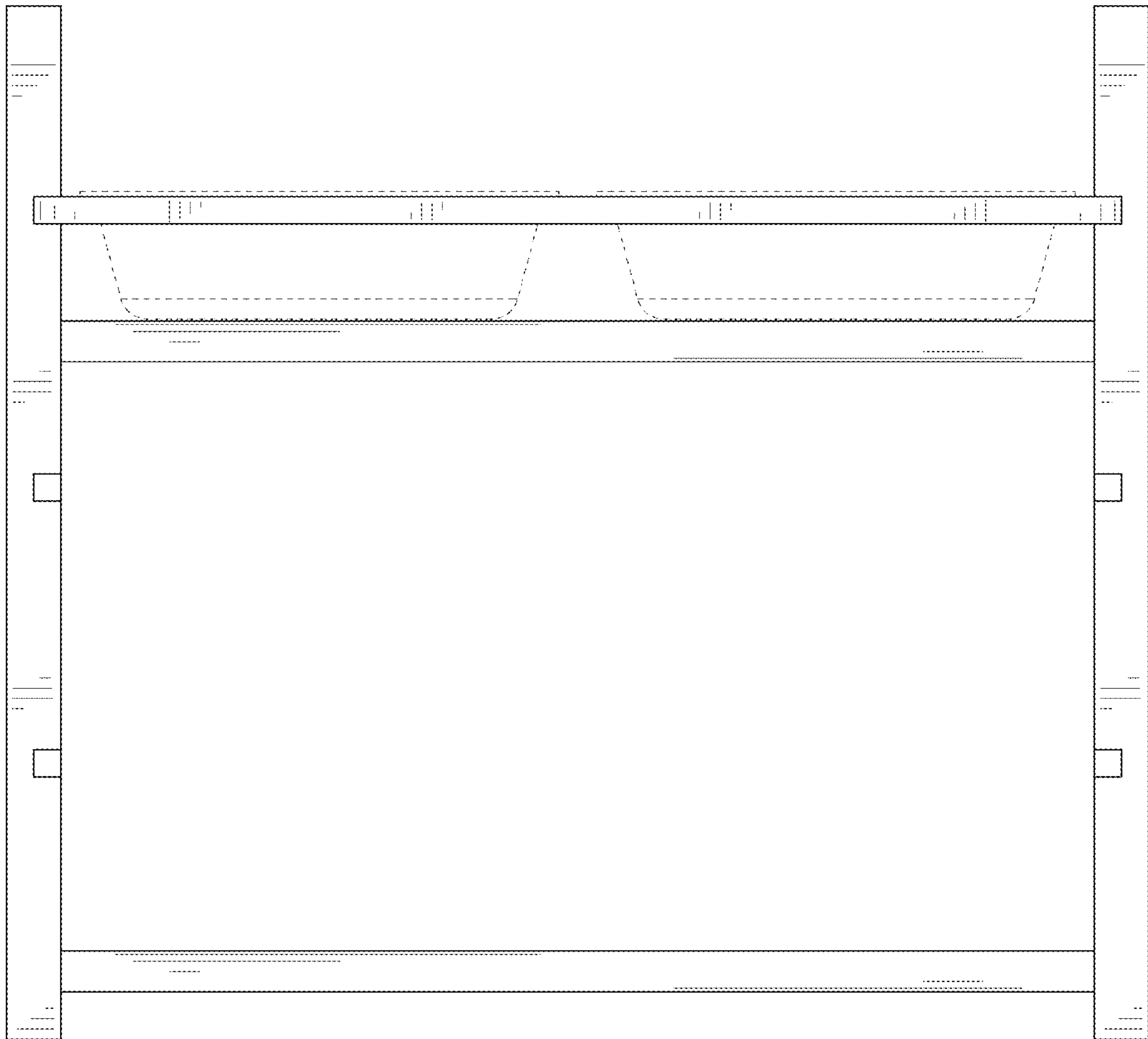


FIG. 3

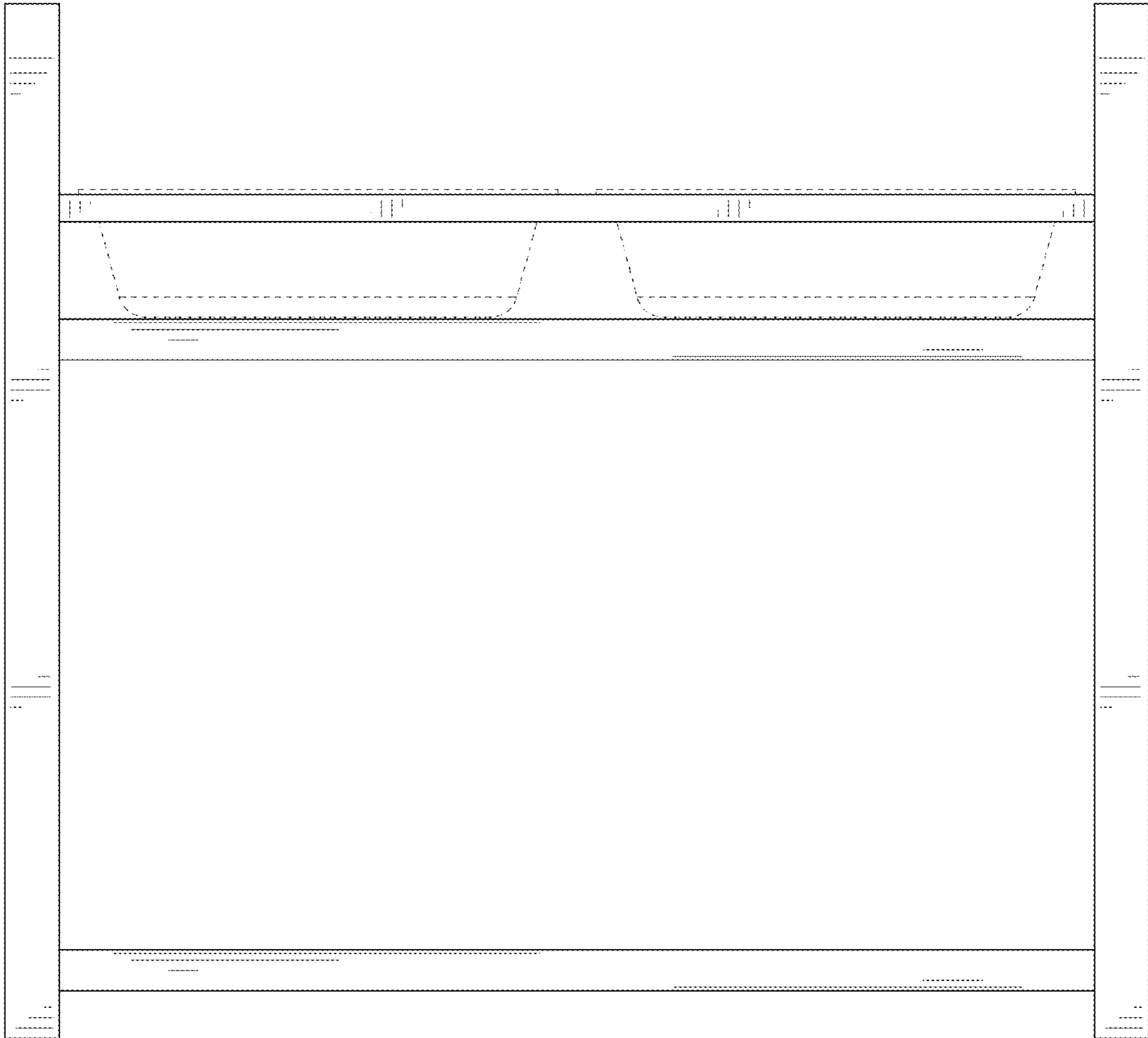


FIG. 4



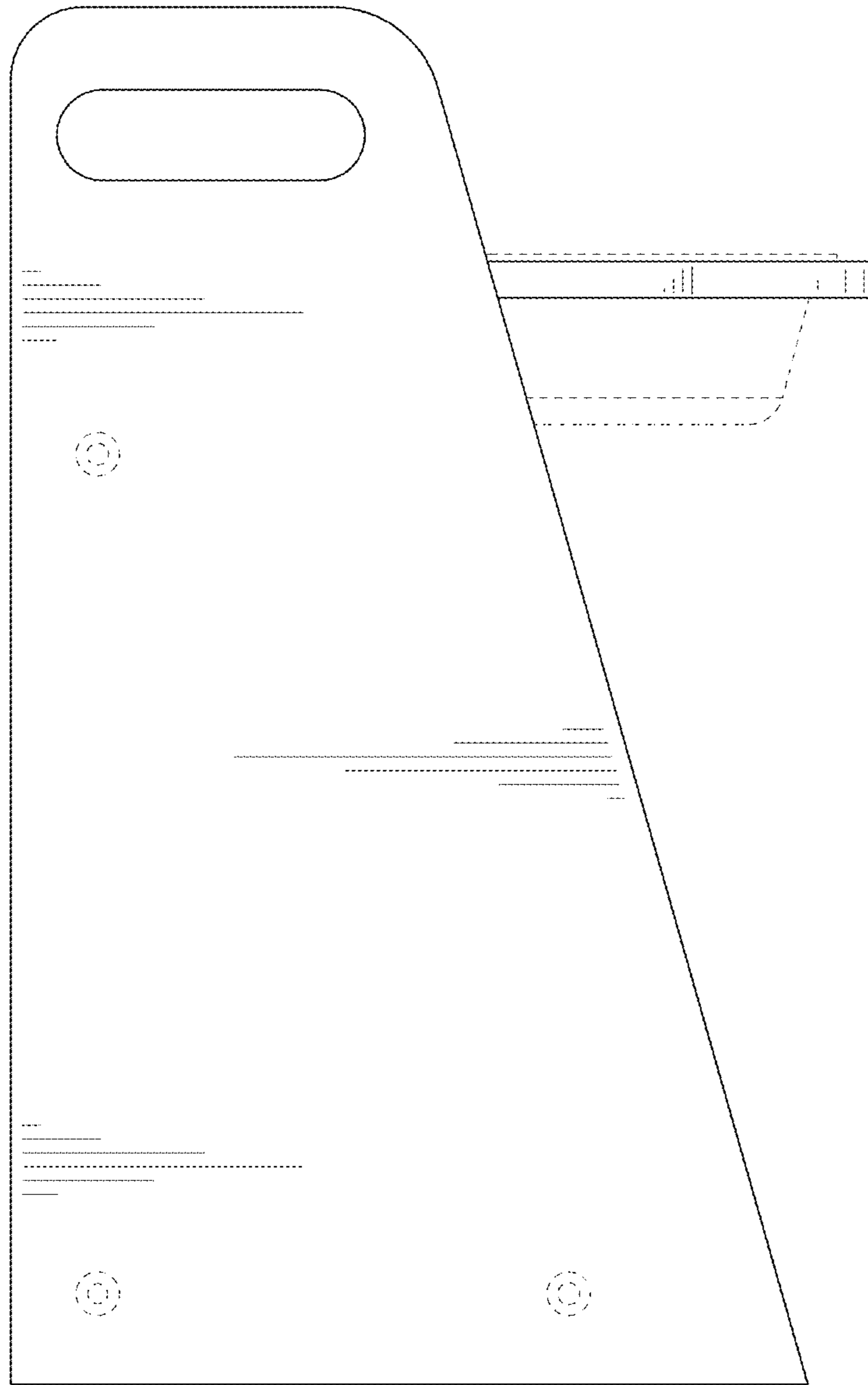


FIG. 5

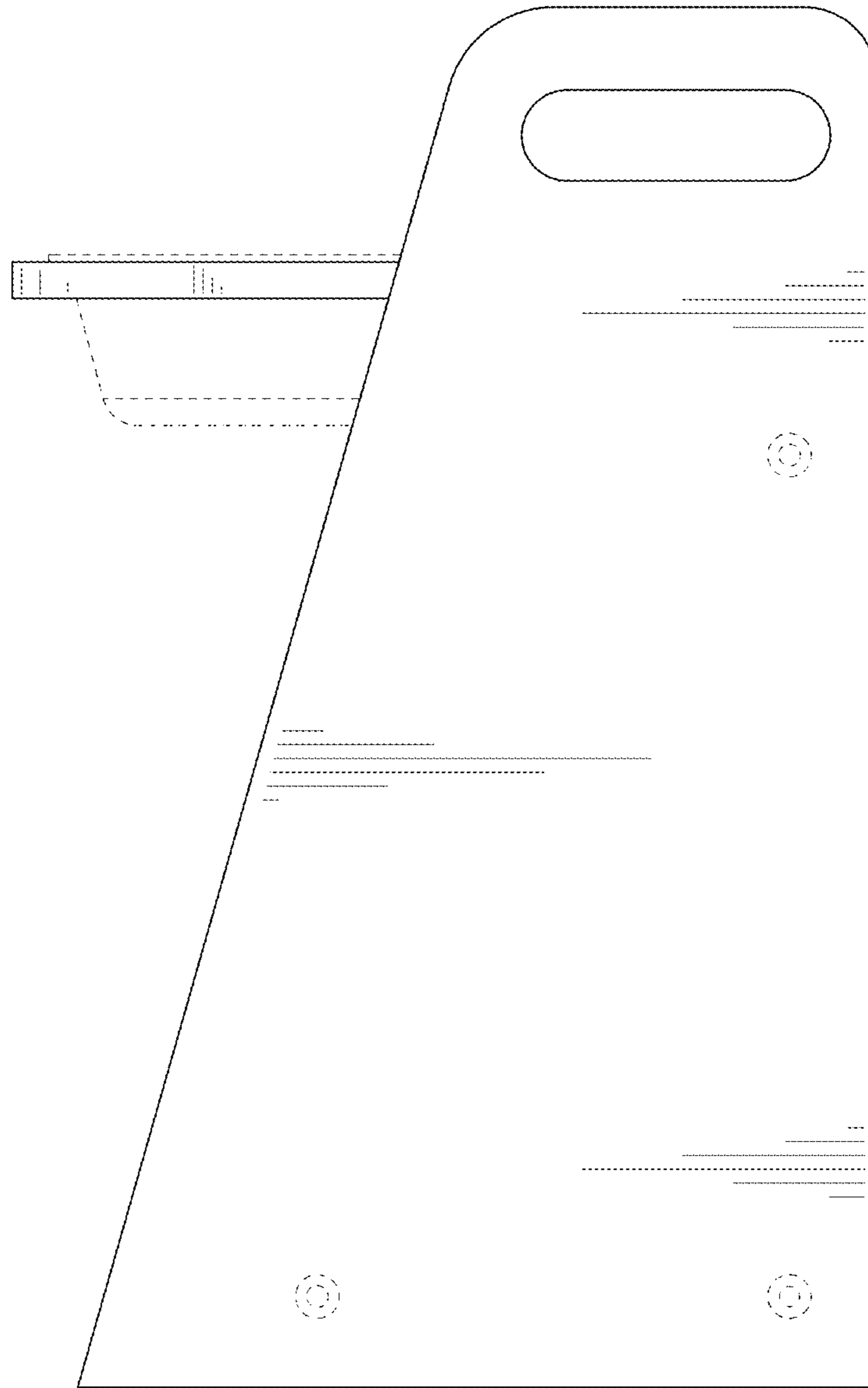


FIG. 6



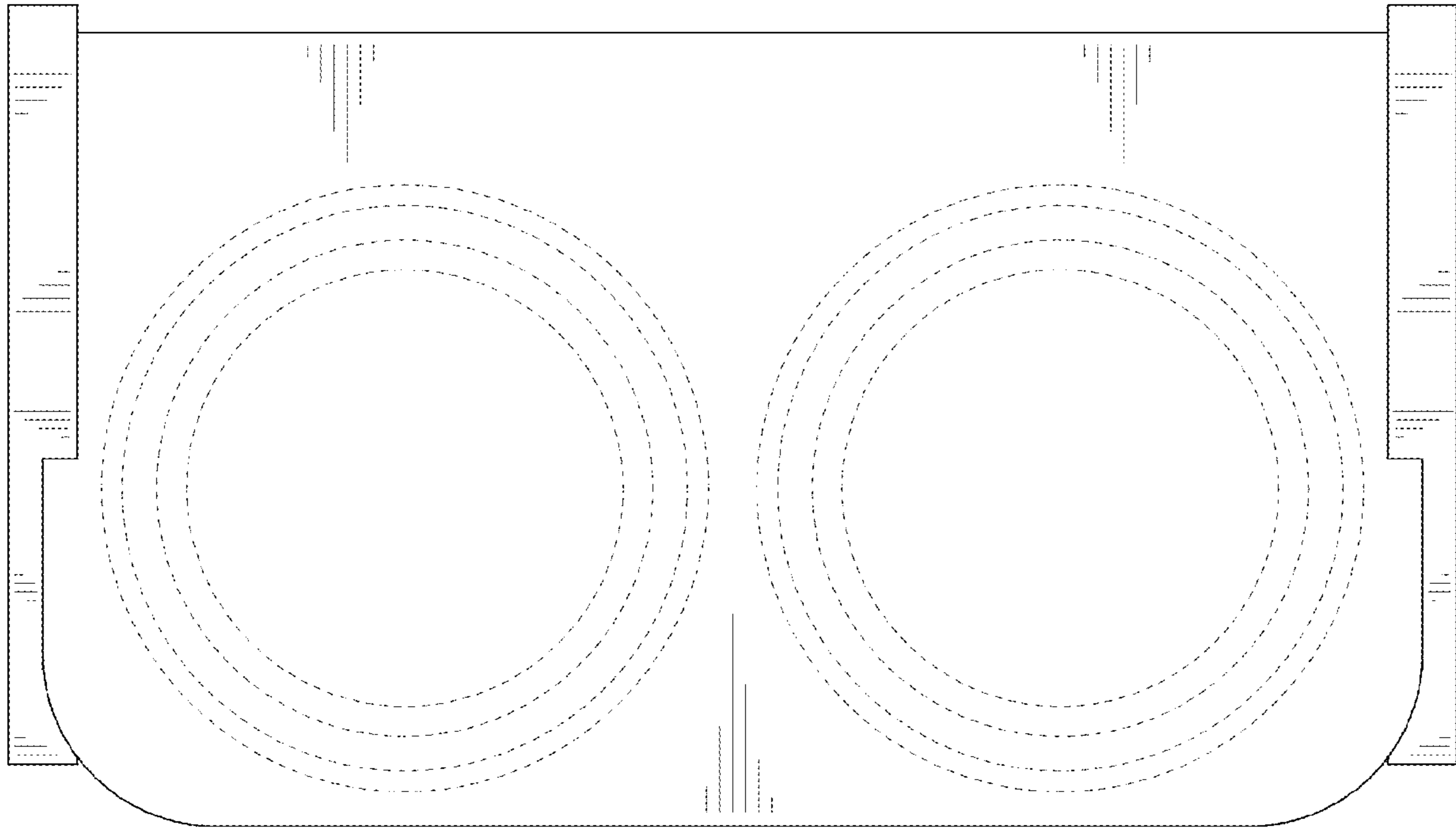


FIG. 7

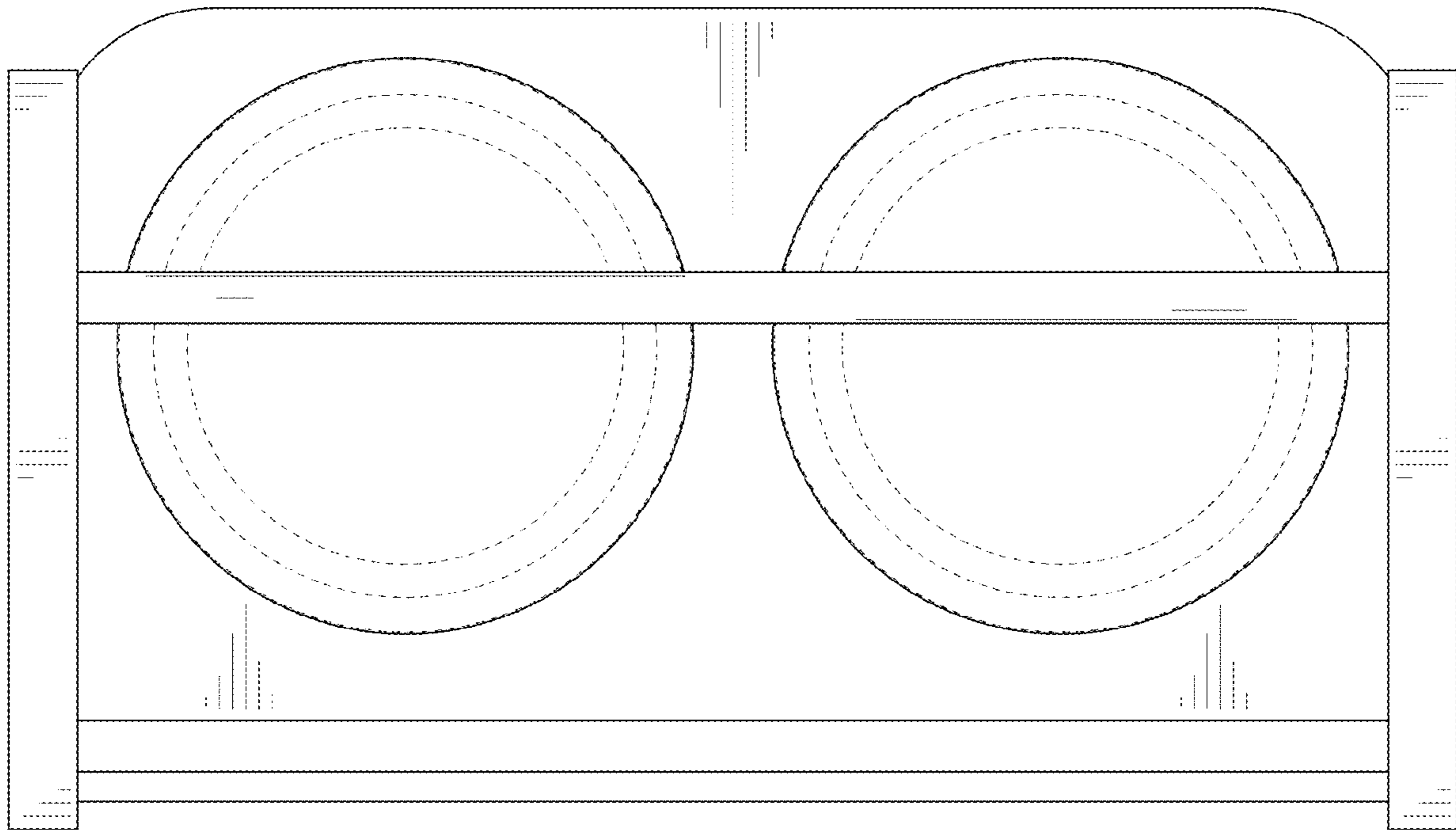


FIG. 8

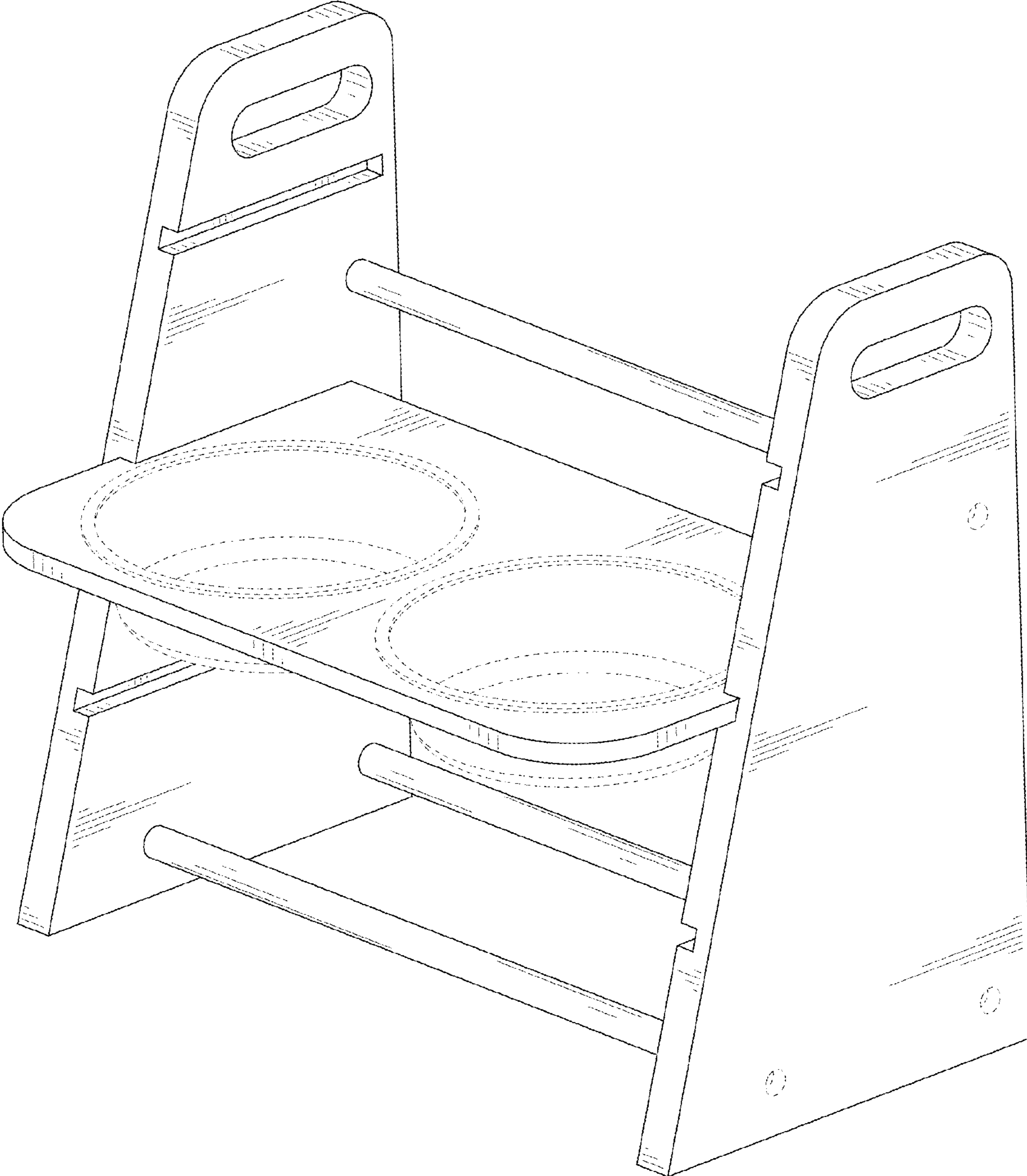


FIG. 9

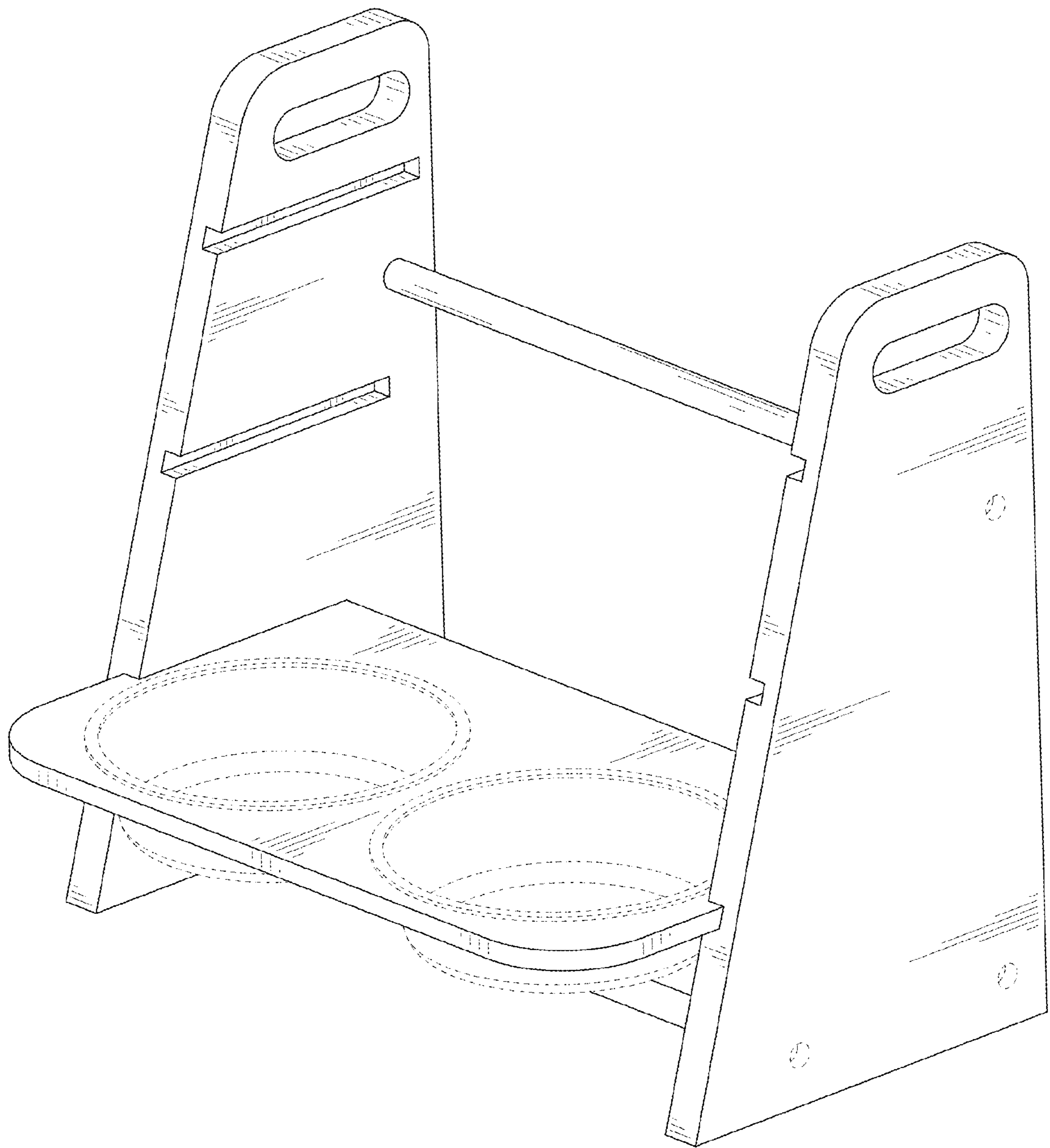


FIG. 10

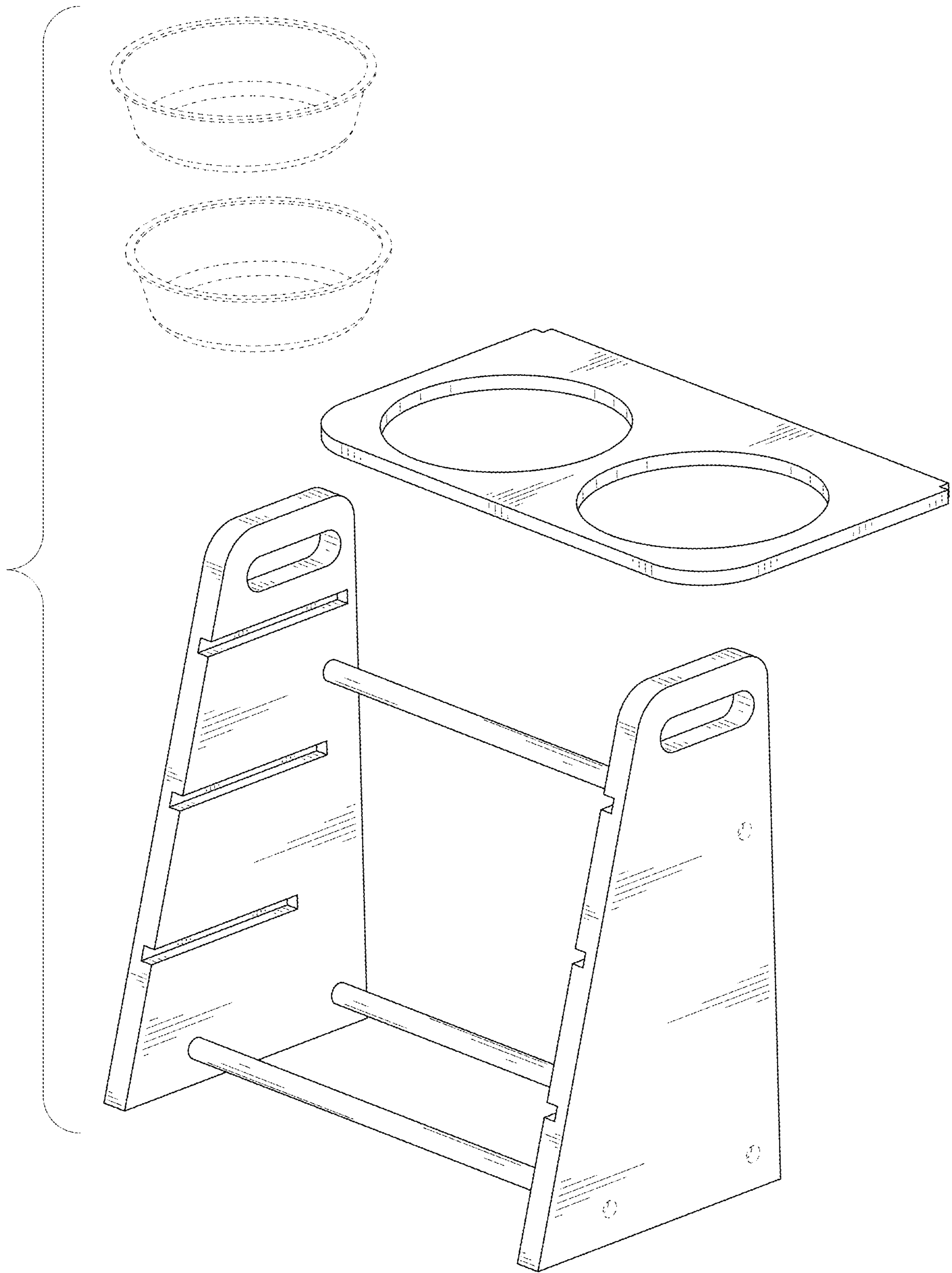


FIG. 11