



US00D926391S

(12) **United States Design Patent** (10) **Patent No.:** **US D926,391 S**
Shen (45) **Date of Patent:** **** Jul. 27, 2021**

(54) **PET DISH STAND**

(71) Applicant: **Vincent W Shen**, San Diego, CA (US)

(72) Inventor: **Vincent W Shen**, San Diego, CA (US)

(**) Term: **15 Years**

(21) Appl. No.: **29/643,481**

(22) Filed: **Apr. 9, 2018**

(51) **LOC (13) Cl.** **30-07**

(52) **U.S. Cl.**

USPC **D30/121**; D30/129; D30/133

(58) **Field of Classification Search**

USPC D30/121, 122, 129-133, 199; D21/419,
D21/421, 423, 426, 662, 760, 765, 766,
D21/769, 771, 776, 803

CPC A01K 5/00; A63C 17/017; A63C 17/01;
A63C 17/00; Y10T 428/31989

See application file for complete search history.

(56) **References Cited**

U.S. PATENT DOCUMENTS

6,520,518	B2 *	2/2003	Lo	A63C 17/01	280/87.041
D716,891	S *	11/2014	Cole	D21/765	
D718,004	S *	11/2014	Stovall	D30/129	
D724,166	S *	3/2015	Hamborg	D21/765	
D725,733	S *	3/2015	Norman	D21/765	
D817,427	S *	5/2018	Pang	D21/765	
D820,371	S *	6/2018	Giang	D21/765	

D825,014	S *	8/2018	Giang	D21/765	
D874,742	S *	2/2020	Glares	D30/129	
2003/0102650	A1 *	6/2003	Gordon	A63C 17/017	280/610

OTHER PUBLICATIONS

“20 Fun and Creative Skateboard Upcycling Ideas” available Jun. 3, 2015, [online], [site visited Feb. 21, 2020], Retrieved from Internet, URL:https://hative.com/skateboard-upcycling-ideas/ (Year: 2015).*
“&crafts instagram” available May 6, 2020, [online], [site visited Sep. 30, 2020], Retrieved from Internet, URL:https://www.instagram.com/p/B_3zySCgdg6/ (Year: 2020).*

* cited by examiner

Primary Examiner — Michael C Stout

Assistant Examiner — Katrina N Gonzalez

(74) *Attorney, Agent, or Firm* — Donn K. Harms

(57) **CLAIM**

The ornamental design for a pet dish stand, as shown and described.

DESCRIPTION

FIG. 1 is a perspective view of a pet dish stand, showing my new design;

FIG. 2 is a bottom perspective view of FIG. 1;

FIG. 3 is a top plan view of FIG. 1;

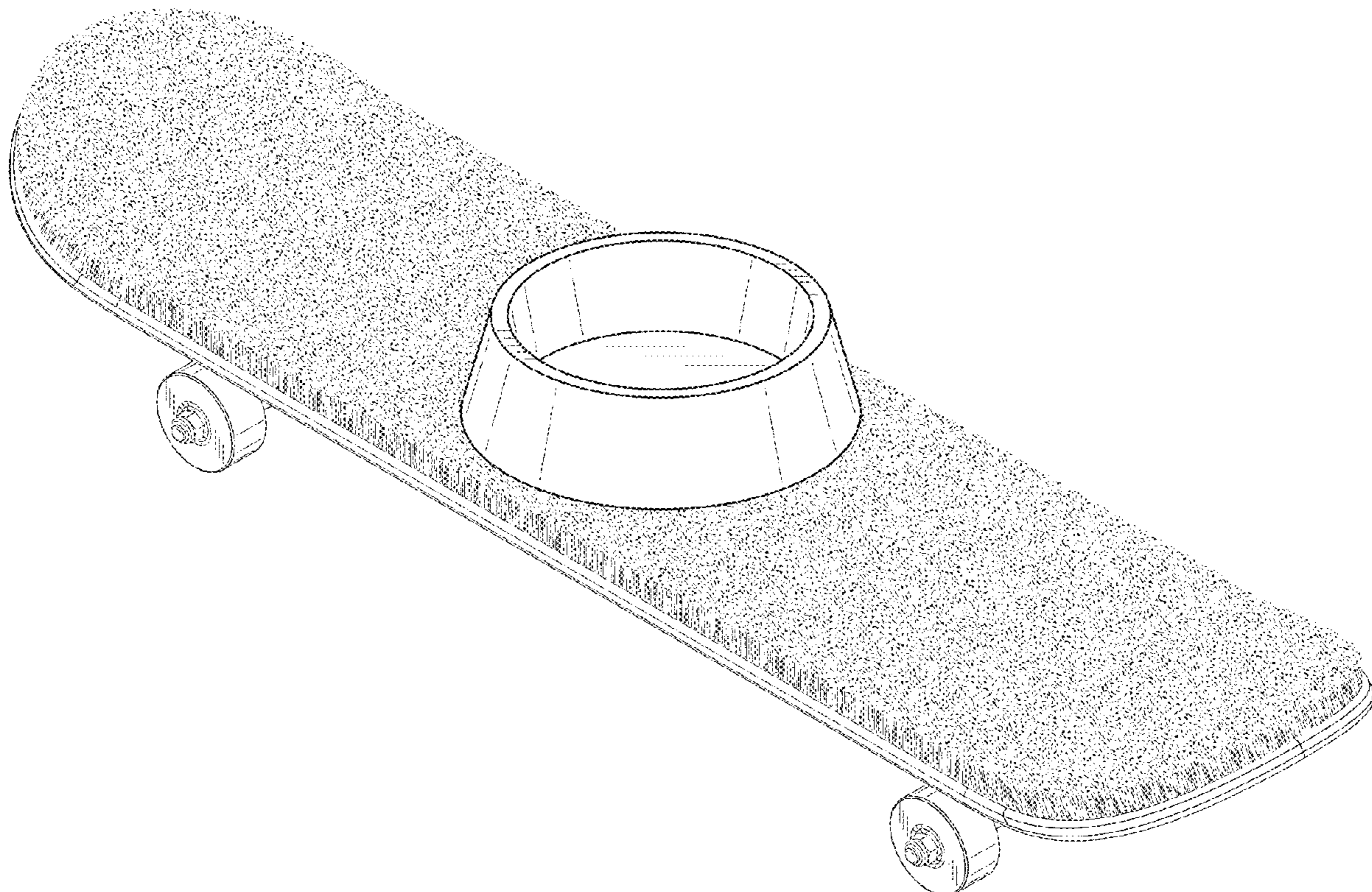
FIG. 4 is a bottom plan view of FIG. 1;

FIG. 5 is a right side elevation view of FIG. 1, the left side elevation view being a mirror image thereof; and,

FIG. 6 is a front elevation view of FIG. 1.

The pet dish stand shows synthetic turf thereon.

1 Claim, 4 Drawing Sheets



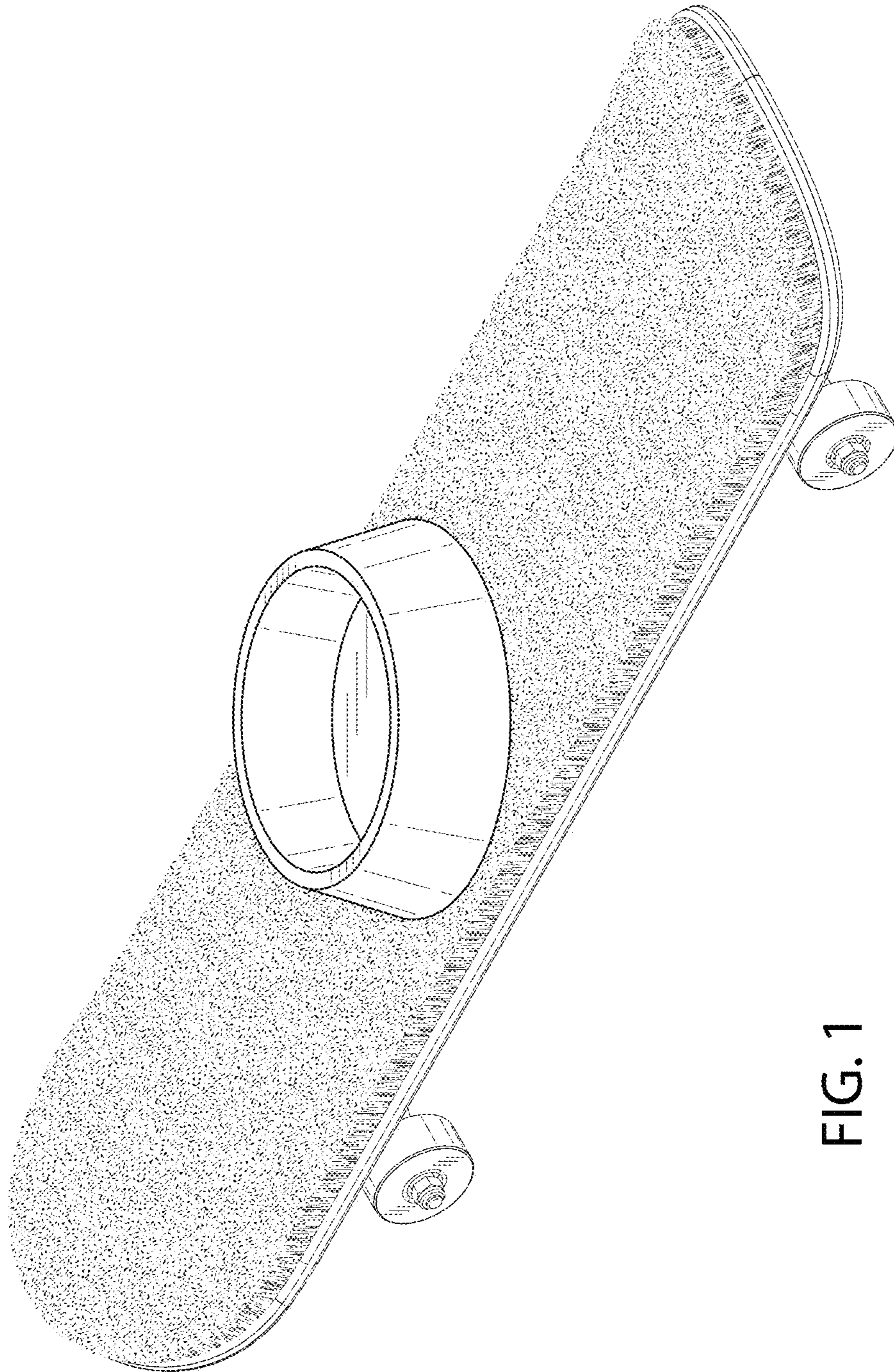


FIG. 1

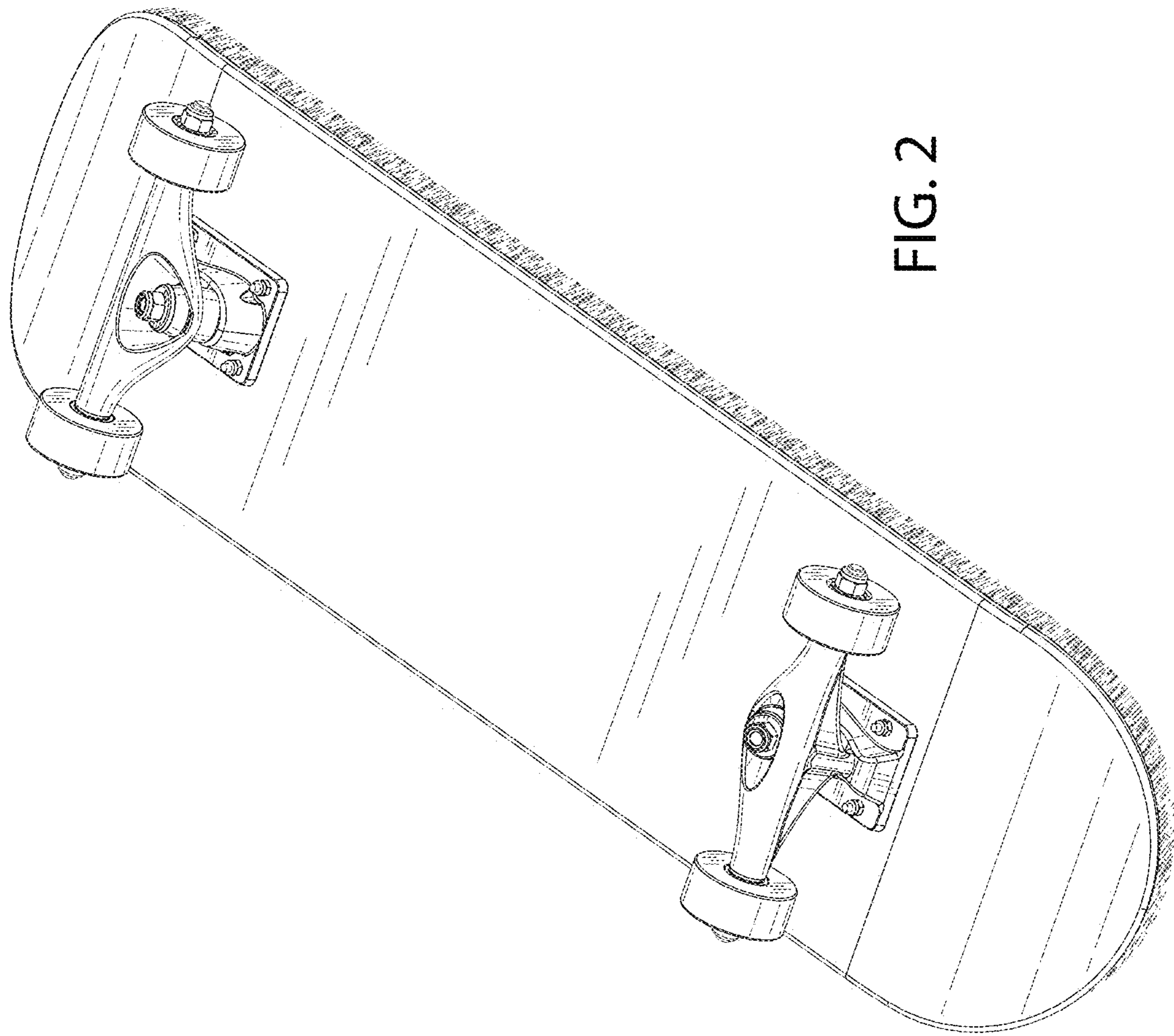


FIG. 2

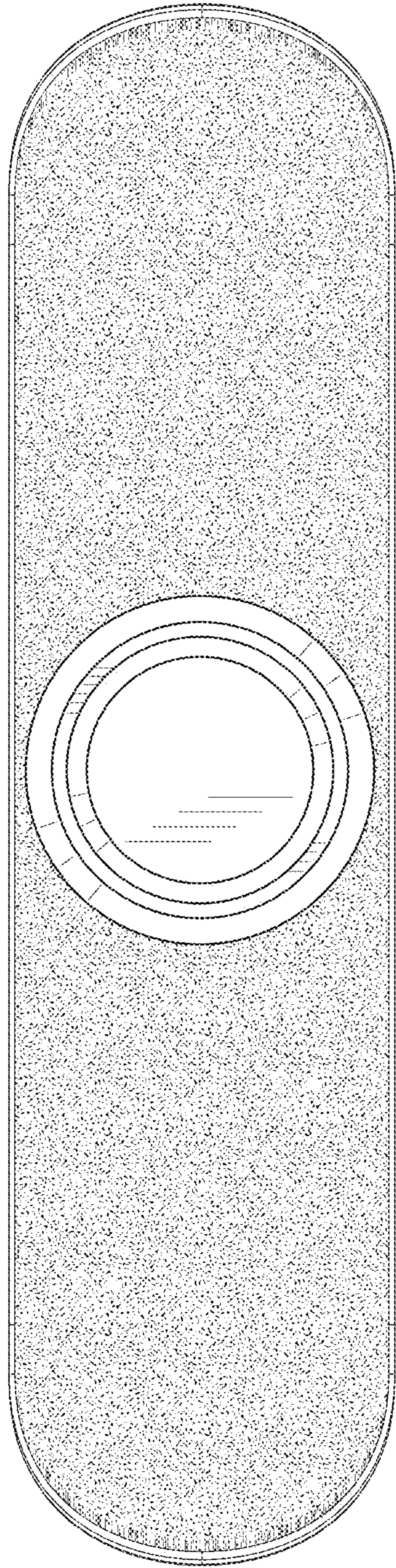


FIG. 3

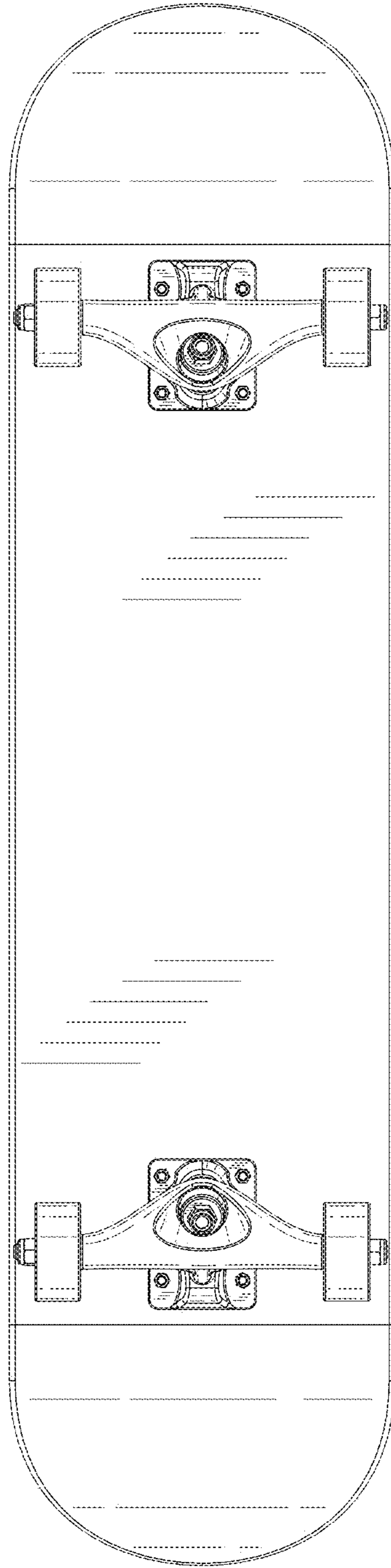


FIG. 4

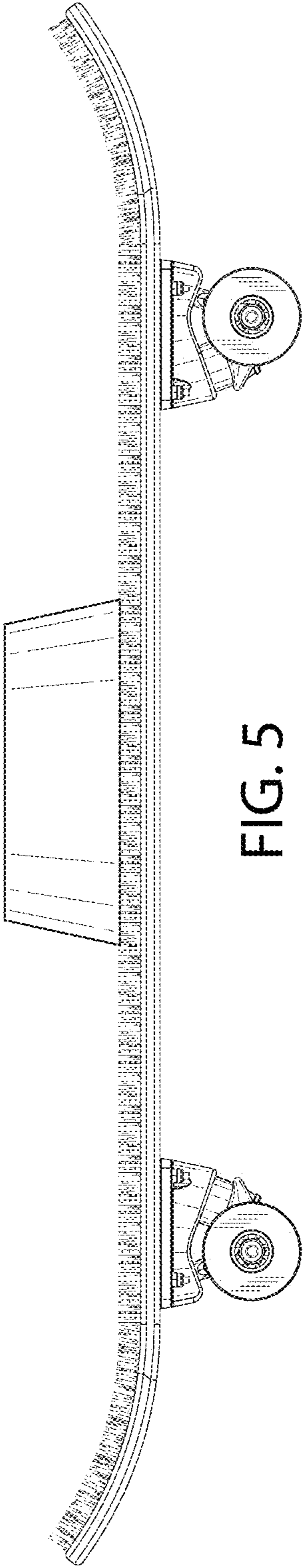


FIG. 5

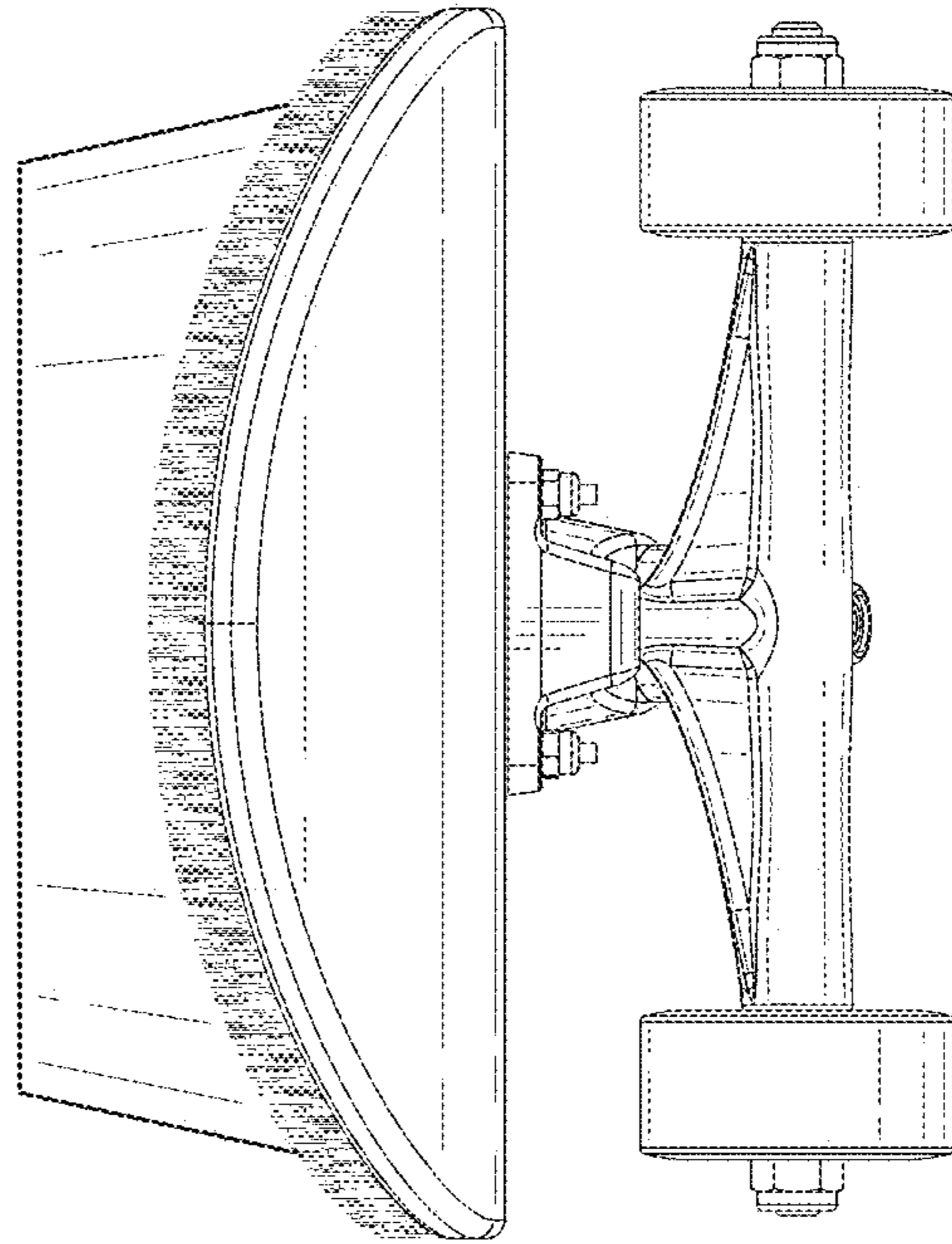


FIG. 6