



US00D926390S

(12) **United States Design Patent** (10) **Patent No.:** **US D926,390 S**  
**Roost et al.** (45) **Date of Patent:** **\*\* Jul. 27, 2021**

(54) **PET BED**  
(71) Applicant: **Pet Fusion, LLC**, Fanwood, NJ (US)  
(72) Inventors: **Andrew Roost**, Fanwood, NJ (US);  
**Theodore Elliott**, Bentleyville, OH (US)  
(73) Assignee: **Pet Fusion, LLC**, Fanwood, NJ (US)  
(\*\*) Term: **15 Years**  
(21) Appl. No.: **29/647,207**  
(22) Filed: **May 10, 2018**  
(51) **LOC (13) Cl.** ..... **30-06**  
(52) **U.S. Cl.**  
USPC ..... **D30/118**  
(58) **Field of Classification Search**  
USPC ..... D30/118-119, 158, 160; D21/520;  
D6/601, 595-597, 604, 382, 335-355,  
D6/376-381, 406.3  
CPC ..... A01K 1/00; A01K 1/0272; A01K 1/0353;  
A01K 1/035  
See application file for complete search history.

(56) **References Cited**

U.S. PATENT DOCUMENTS

D267,513 S \* 1/1983 Weigel ..... 5/81.1 R  
5,784,995 A \* 7/1998 Willinger ..... A01K 1/0353  
119/28.5  
7,000,276 B2 \* 2/2006 Chaffee ..... A47C 4/54  
5/654  
D544,723 S \* 6/2007 Boutin ..... D6/378  
D563,058 S \* 2/2008 Lamstein ..... D30/118  
8,316,482 B1 \* 11/2012 Martin, III ..... A47C 29/00  
5/95  
D685,202 S \* 7/2013 Sage ..... D6/377  
D686,008 S \* 7/2013 Sage ..... D6/377  
D701,704 S \* 4/2014 Maier ..... D6/377  
D703,877 S \* 4/2014 Popkin ..... D30/118  
D725,832 S \* 3/2015 Coulter ..... D30/118

D743,726 S \* 11/2015 Yeh ..... D6/716  
D763,590 S \* 8/2016 King ..... D6/377  
D763,591 S \* 8/2016 King ..... D6/377  
D763,592 S \* 8/2016 King ..... D6/378  
D809,316 S \* 2/2018 Rockwell ..... D6/381  
D809,715 S \* 2/2018 Song ..... D30/118  
D818,652 S \* 5/2018 Song ..... D30/118  
D818,653 S \* 5/2018 Song ..... D30/118  
D822,910 S \* 7/2018 Pelz ..... D30/118  
D822,911 S \* 7/2018 Menayan ..... D30/118  
D830,715 S \* 10/2018 Siebert ..... D6/378  
D871,791 S \* 1/2020 Carter ..... D6/377  
D874,173 S \* 2/2020 Carter ..... D6/361  
D884,380 S \* 5/2020 Killinger ..... D6/377  
2014/0230735 A1 \* 8/2014 Coulter ..... A01K 1/0353  
119/28.5

(Continued)

FOREIGN PATENT DOCUMENTS

CN 304495753 \* 8/2017

*Primary Examiner* — Sheryl Lane  
*Assistant Examiner* — Aula Soroush  
(74) *Attorney, Agent, or Firm* — Myers Wolin, LLC

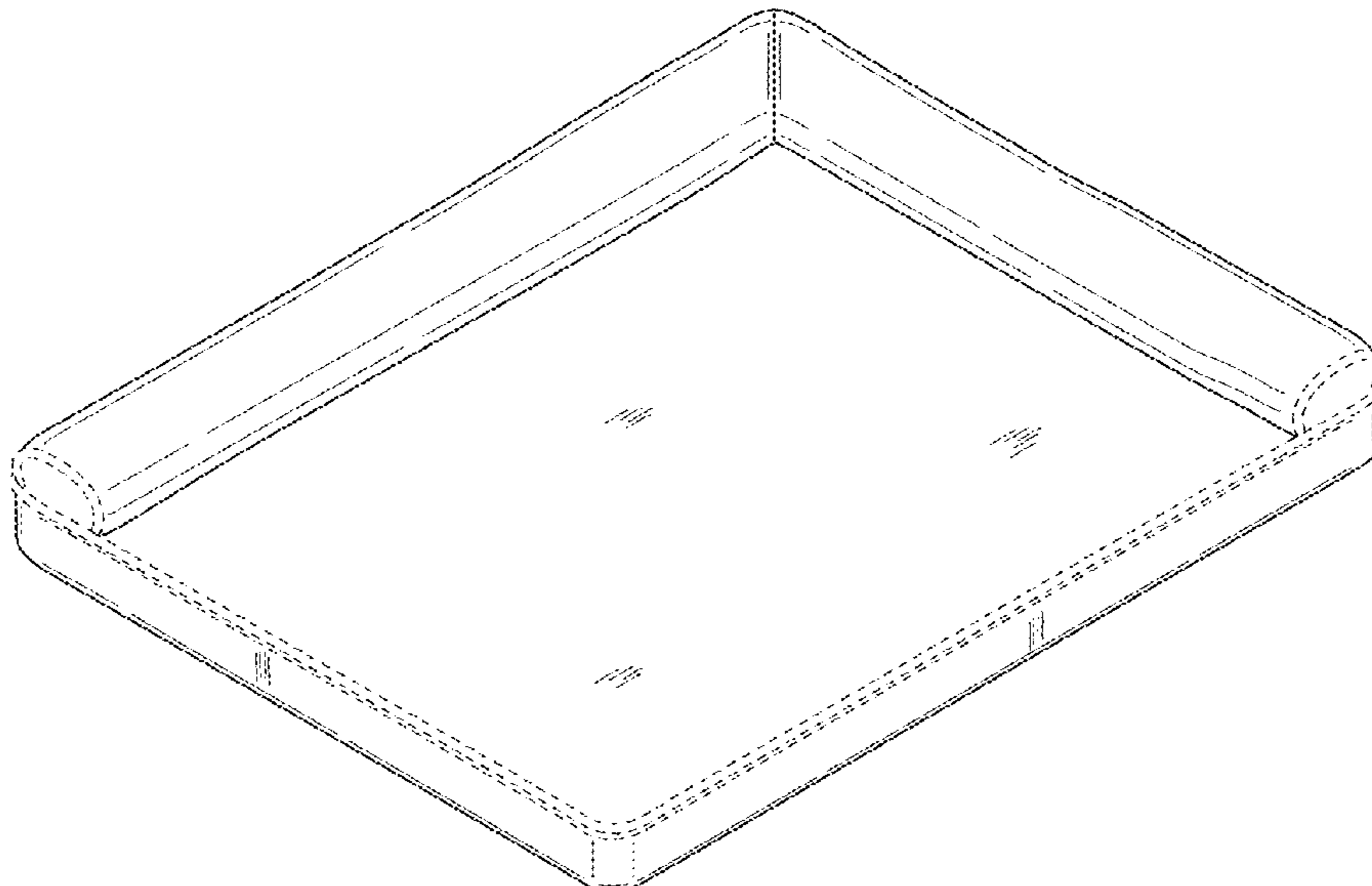
(57) **CLAIM**

The ornamental design for a pet bed, as shown and described.

**DESCRIPTION**

FIG. 1 is a top perspective view of a pet bed showing our new design;  
FIG. 2 is a top plan view thereof  
FIG. 3 is a front elevation view thereof;  
FIG. 4 is a rear elevation view thereof;  
FIG. 5 is a left side elevation view thereof;  
FIG. 6 is a right side elevation view thereof; and,  
FIG. 7 is a bottom plan view thereof.  
The broken lines in the drawings illustrate portions of the pet bed that form no part of the claimed design.

**1 Claim, 3 Drawing Sheets**



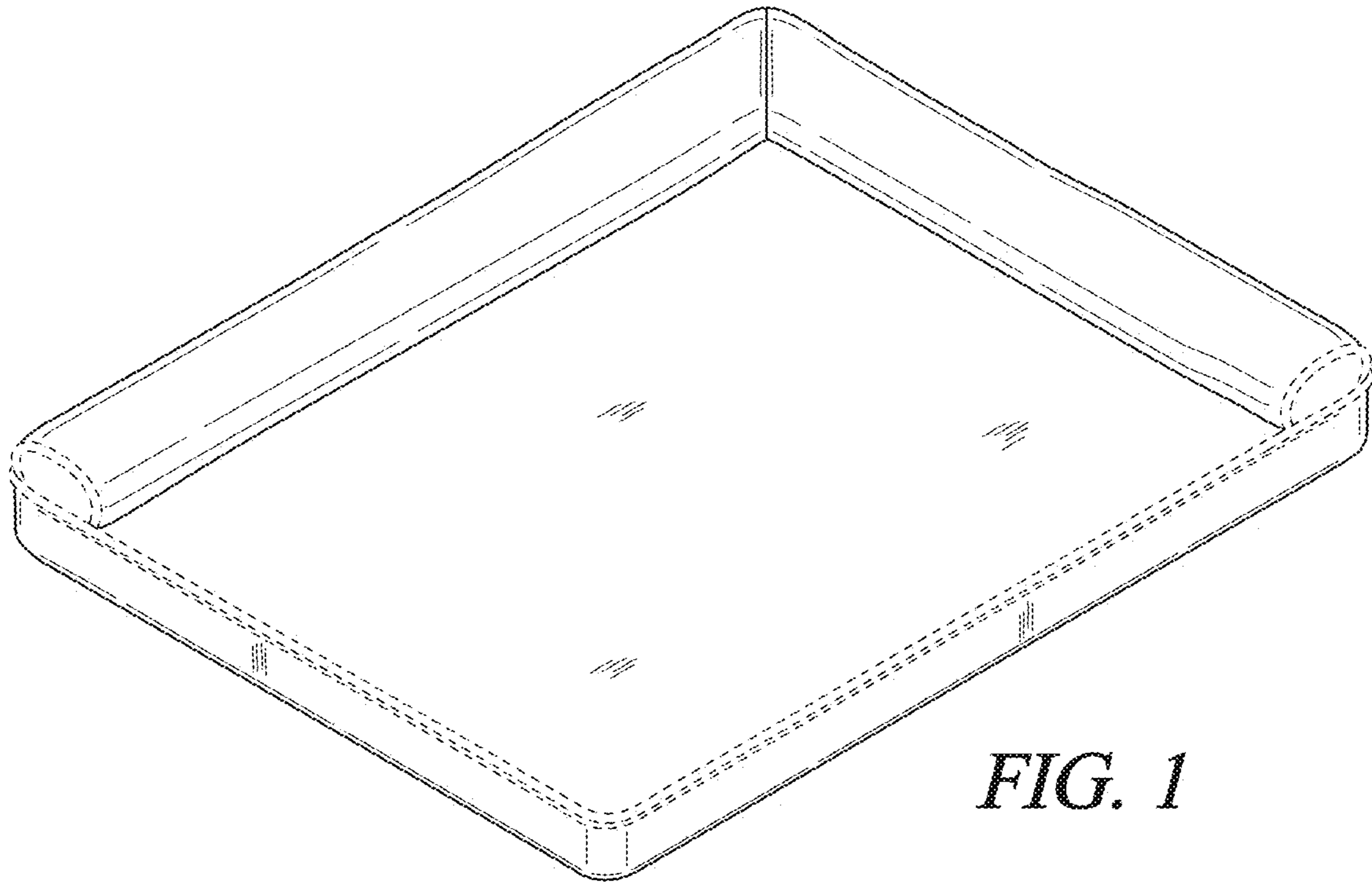
(56)

**References Cited**

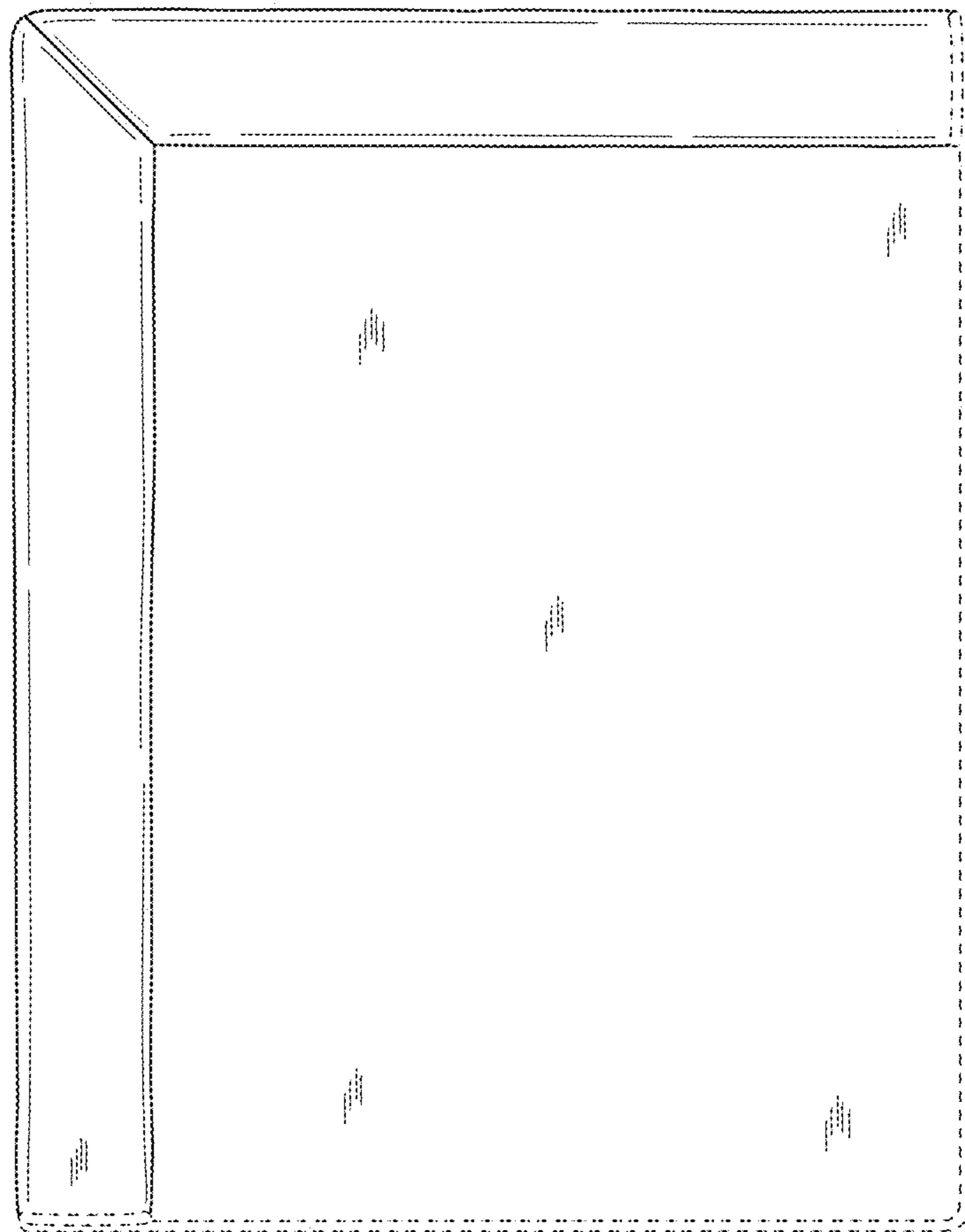
U.S. PATENT DOCUMENTS

2017/0258036 A1\* 9/2017 Galloway ..... A01K 1/0353

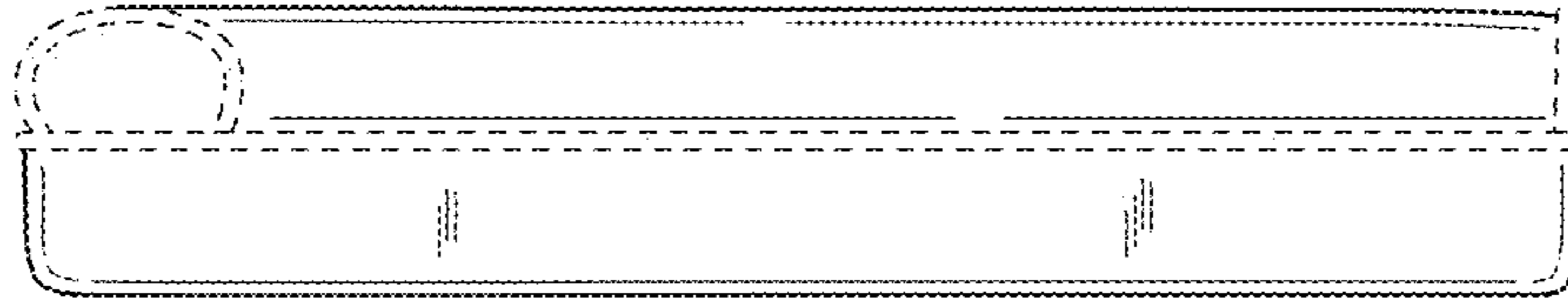
\* cited by examiner



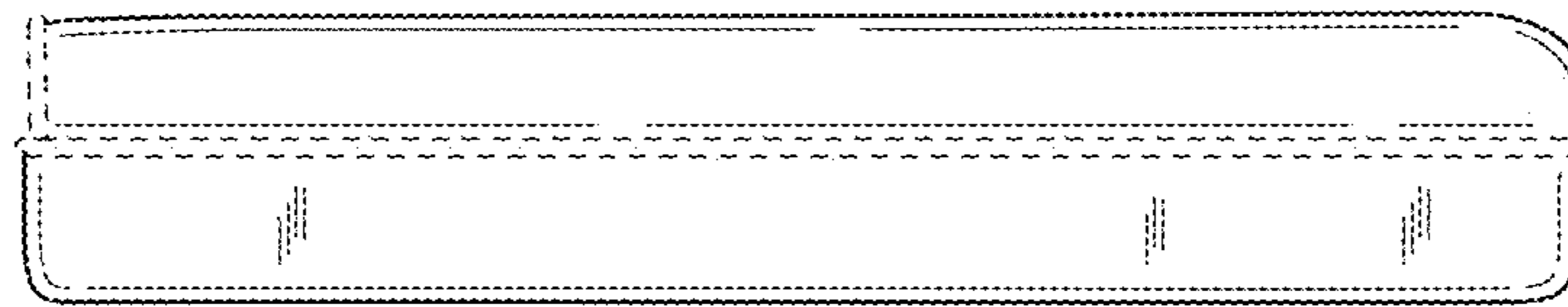
*FIG. 1*



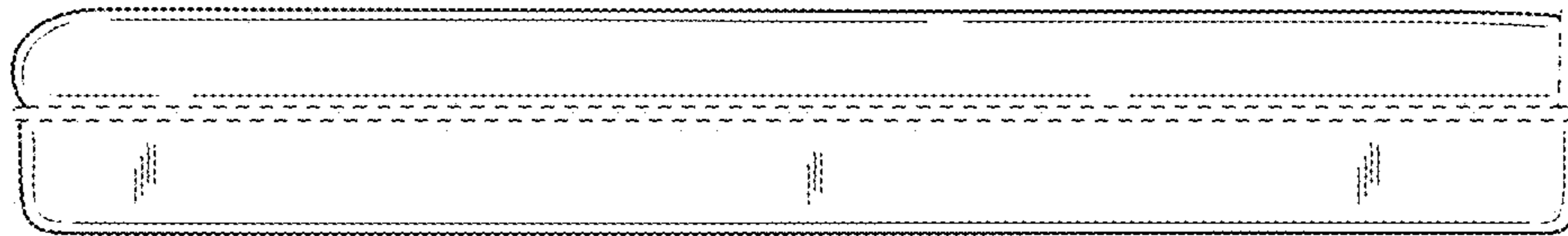
*FIG. 2*



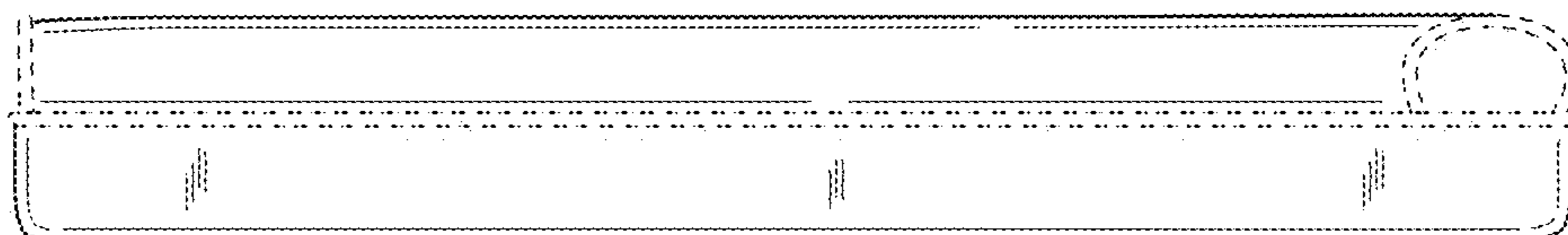
*FIG. 3*



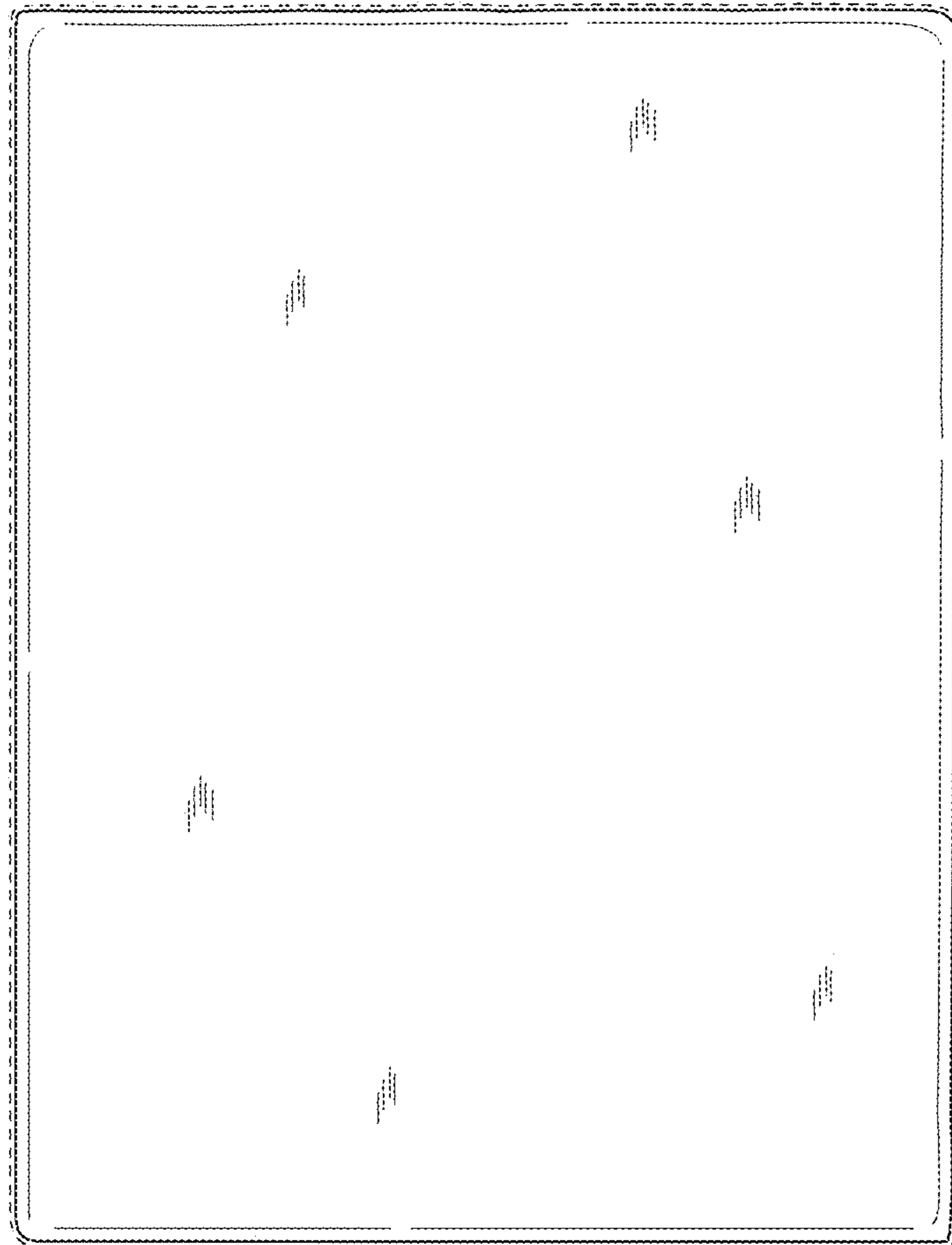
*FIG. 4*



*FIG. 5*



*FIG. 6*



*FIG. 7*