



US00D926387S

(12) **United States Design Patent** (10) **Patent No.:** **US D926,387 S**
Goldberg et al. (45) **Date of Patent:** **** Jul. 27, 2021**

(54) **FACE SHIELD**

(71) Applicants: **Leslie Goldberg**, Toronto (CA); **Adam J. Goldberg**, Toronto (CA)

(72) Inventors: **Leslie Goldberg**, Toronto (CA); **Adam J. Goldberg**, Toronto (CA)

(**) Term: **15 Years**

(21) Appl. No.: **29/737,933**

(22) Filed: **Jun. 12, 2020**

Related U.S. Application Data

(63) Continuation-in-part of application No. 16/862,915, filed on Apr. 30, 2020, now abandoned.

(51) **LOC (13) Cl.** **29-02**

(52) **U.S. Cl.**
USPC **D29/110**

(58) **Field of Classification Search**
USPC D29/105–110, 123; D24/110.1–110.2;
D2/866, 893; D28/10; D16/310–312
See application file for complete search history.

(56) **References Cited**

U.S. PATENT DOCUMENTS

5,113,528	A *	5/1992	Burke, Jr.	A41D 13/1184
					2/9
D349,362	S *	8/1994	Russell	A41D 13/1184
					D29/110
D732,242	S *	6/2015	Miller	A41D 13/1184
					D29/110
9,532,617	B2 *	1/2017	Miller	A41D 13/1184
D853,656	S *	7/2019	Martin	A41D 13/1184
					D29/110
D882,182	S *	4/2020	Fekete	A41D 13/1184
					D29/110
D899,002	S *	10/2020	Chapman	A41D 13/1184
					D29/110
2012/0047614	A1 *	3/2012	Choi	A41D 13/1184
					2/9

* cited by examiner

Primary Examiner — Robert A Delehanty

(74) *Attorney, Agent, or Firm* — Tarolli, Sundheim, Covell & Tummino LLP

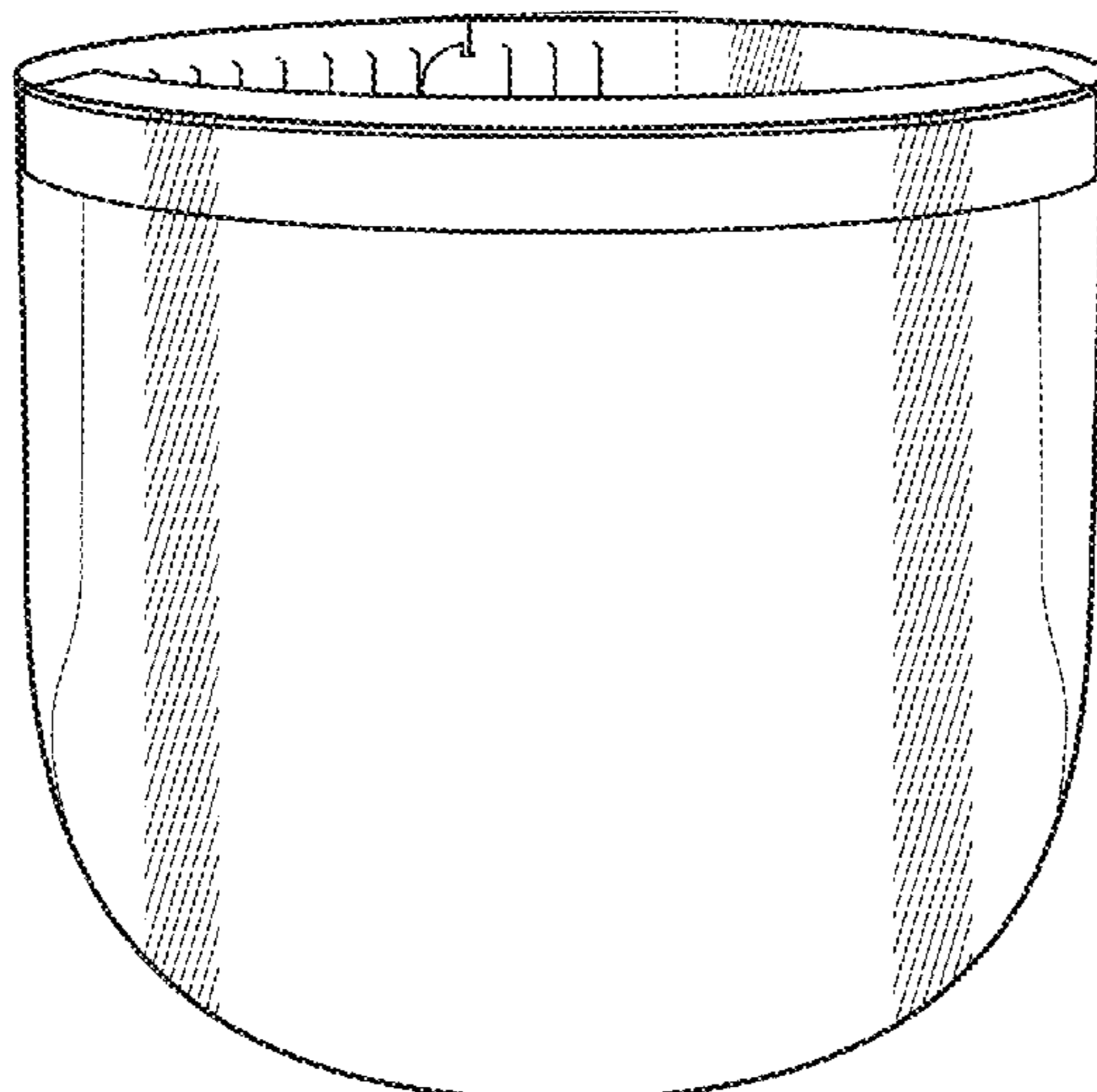
(57) **CLAIM**

We claim the ornamental design for a face shield, as shown and described.

DESCRIPTION

FIG. 1 is a front view of the face shield showing an aspect of our new, original, and ornamental design;
 FIG. 2 is a rear view of the face shield of FIG. 1;
 FIG. 3 is a left view of the face shield of FIG. 1;
 FIG. 4 is a right view of the face shield of FIG. 1;
 FIG. 5 is a bottom view of the face shield of FIG. 1;
 FIG. 6 is a top view of the face shield of FIG. 1;
 FIG. 7 is a front view of the face shield showing an aspect of our new, original, and ornamental design;
 FIG. 8 is a rear view of the face shield of FIG. 7;
 FIG. 9 is a left view of the face shield of FIG. 7;
 FIG. 10 is a right view of the face shield of FIG. 7;
 FIG. 11 is a bottom view of the face shield of FIG. 7;
 FIG. 12 is a top view of the face shield of FIG. 7;
 FIG. 13 is a front view of the face shield showing an aspect of our new, original, and ornamental design;
 FIG. 14 is a rear view of the face shield of FIG. 13;
 FIG. 15 is a left view of the face shield of FIG. 13;
 FIG. 16 is a right view of the face shield of FIG. 13;
 FIG. 17 is a bottom view of the face shield of FIG. 13; and,
 FIG. 18 is a top view of the face shield of FIG. 13.
 The broken line showing of certain structures in the drawings is for the purpose of illustrating optional features and forms no part of the claimed design.

1 Claim, 9 Drawing Sheets



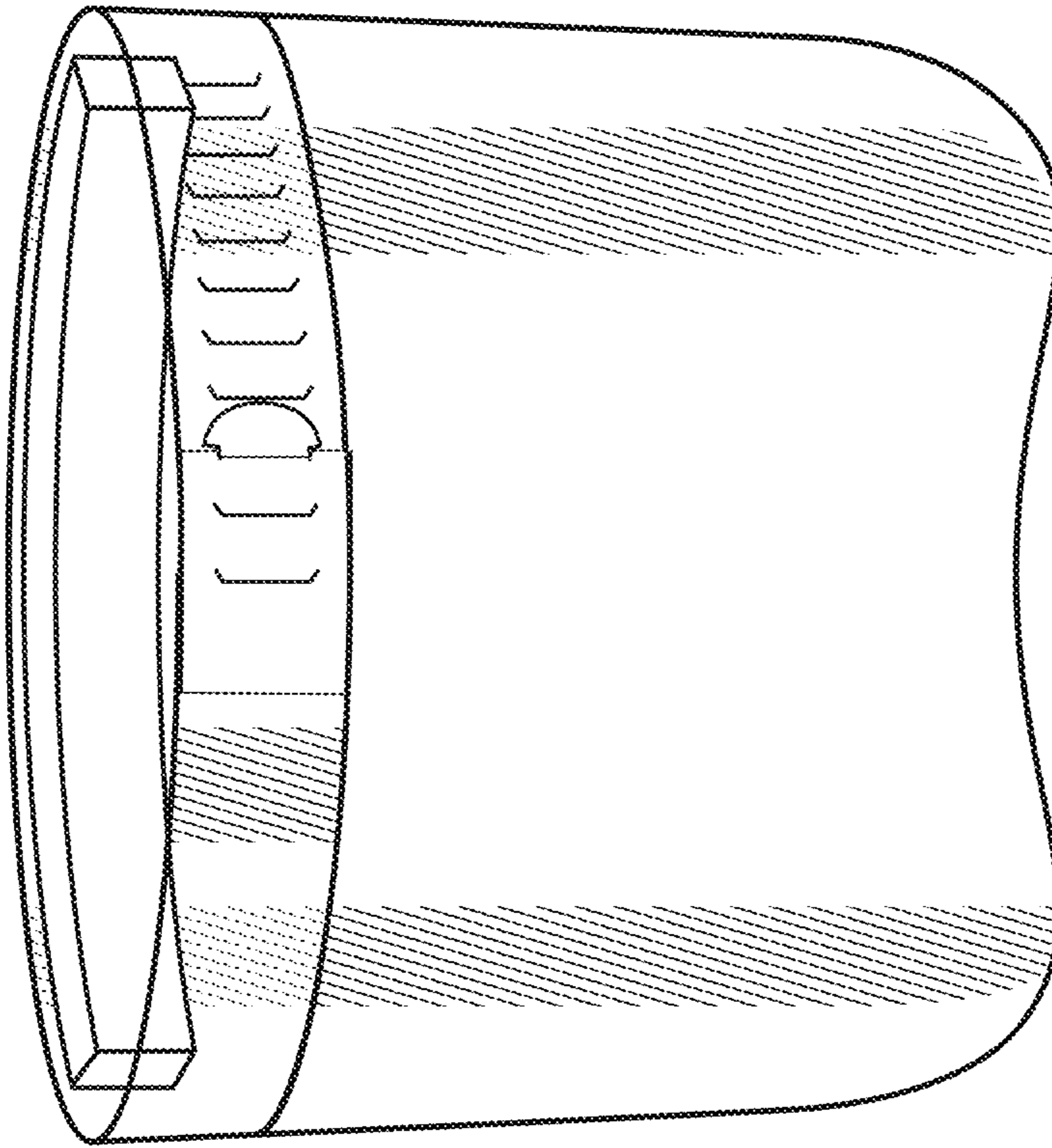


FIG. 2

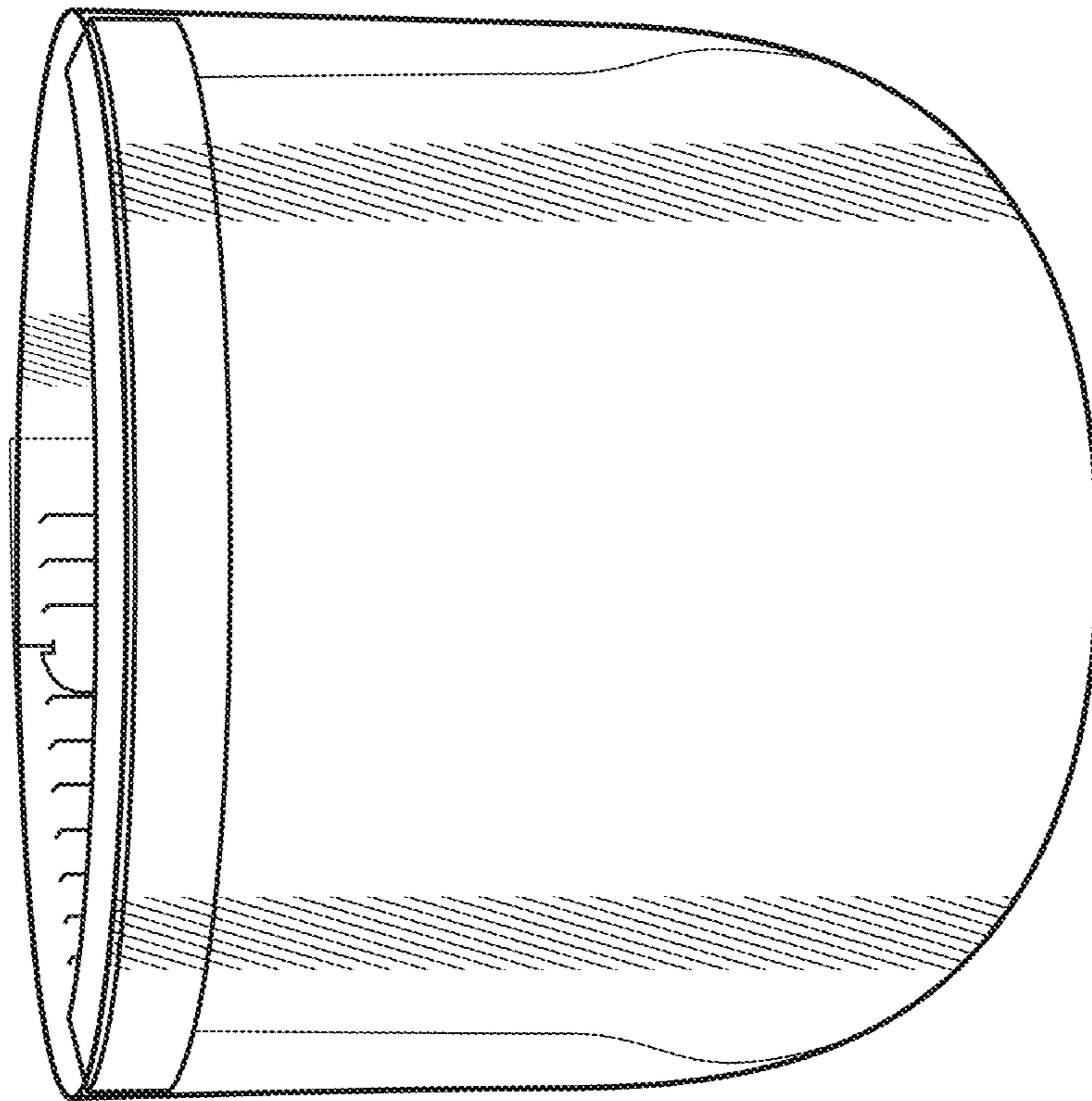


FIG. 1

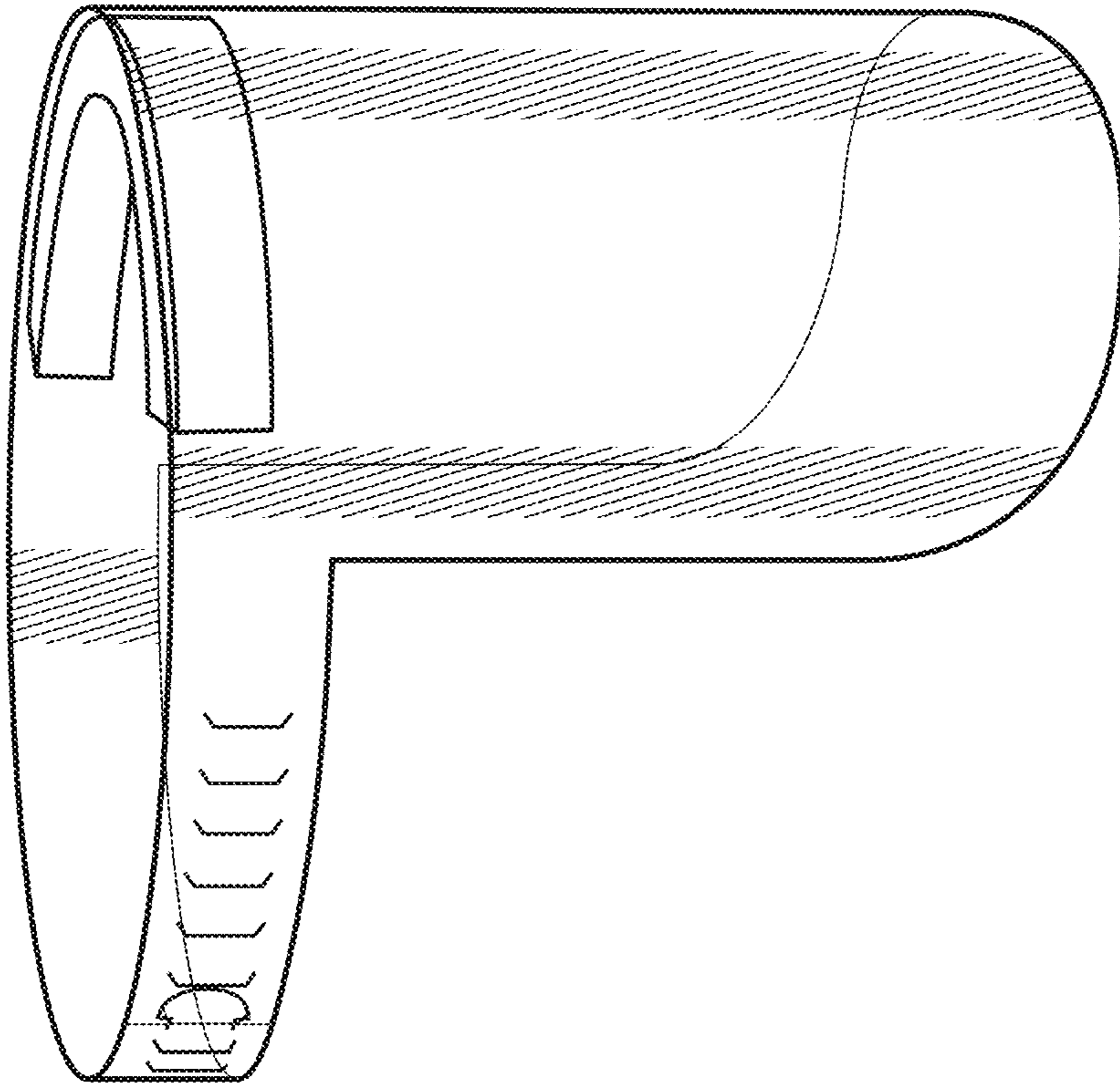


FIG. 4

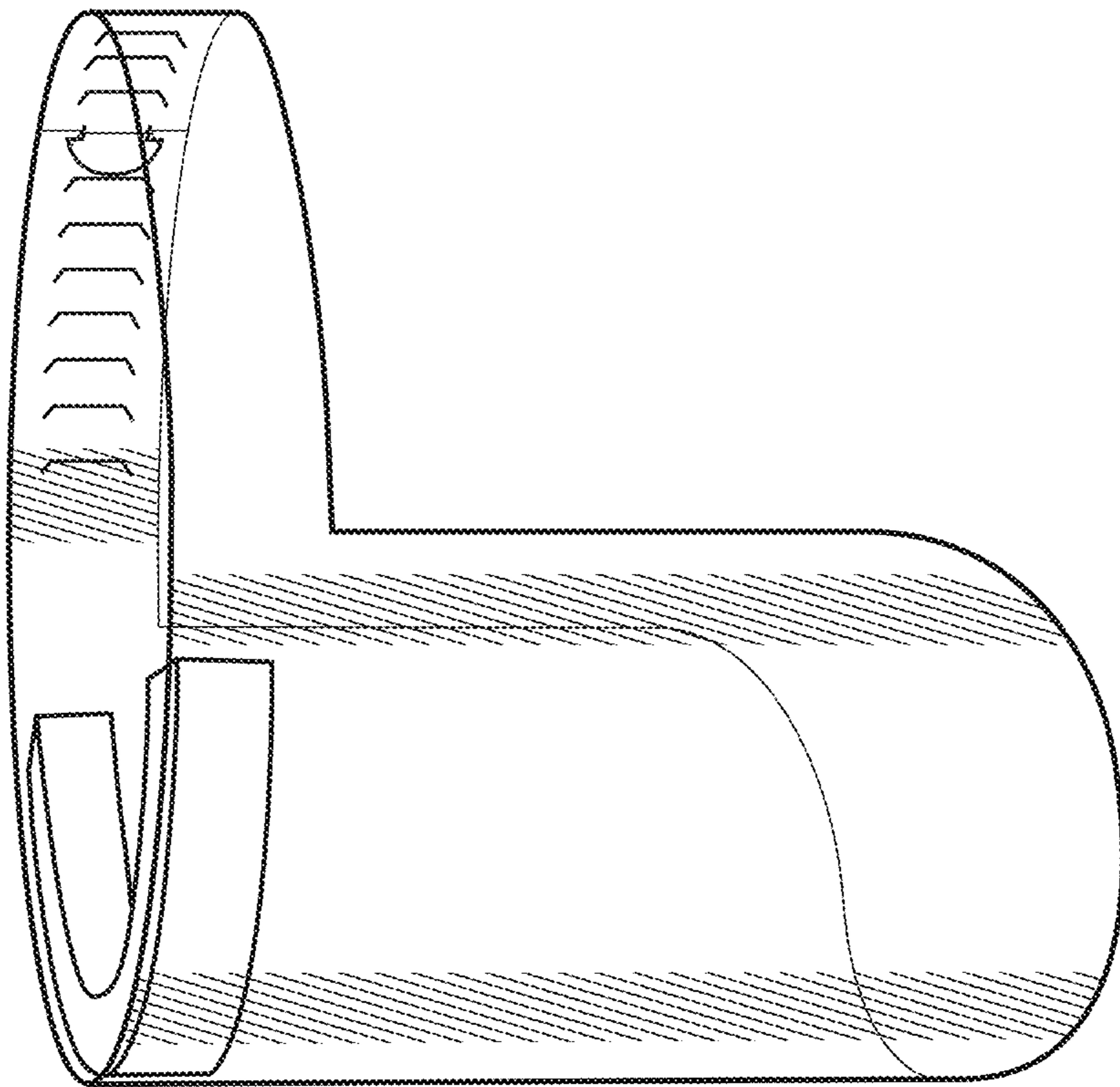


FIG. 3

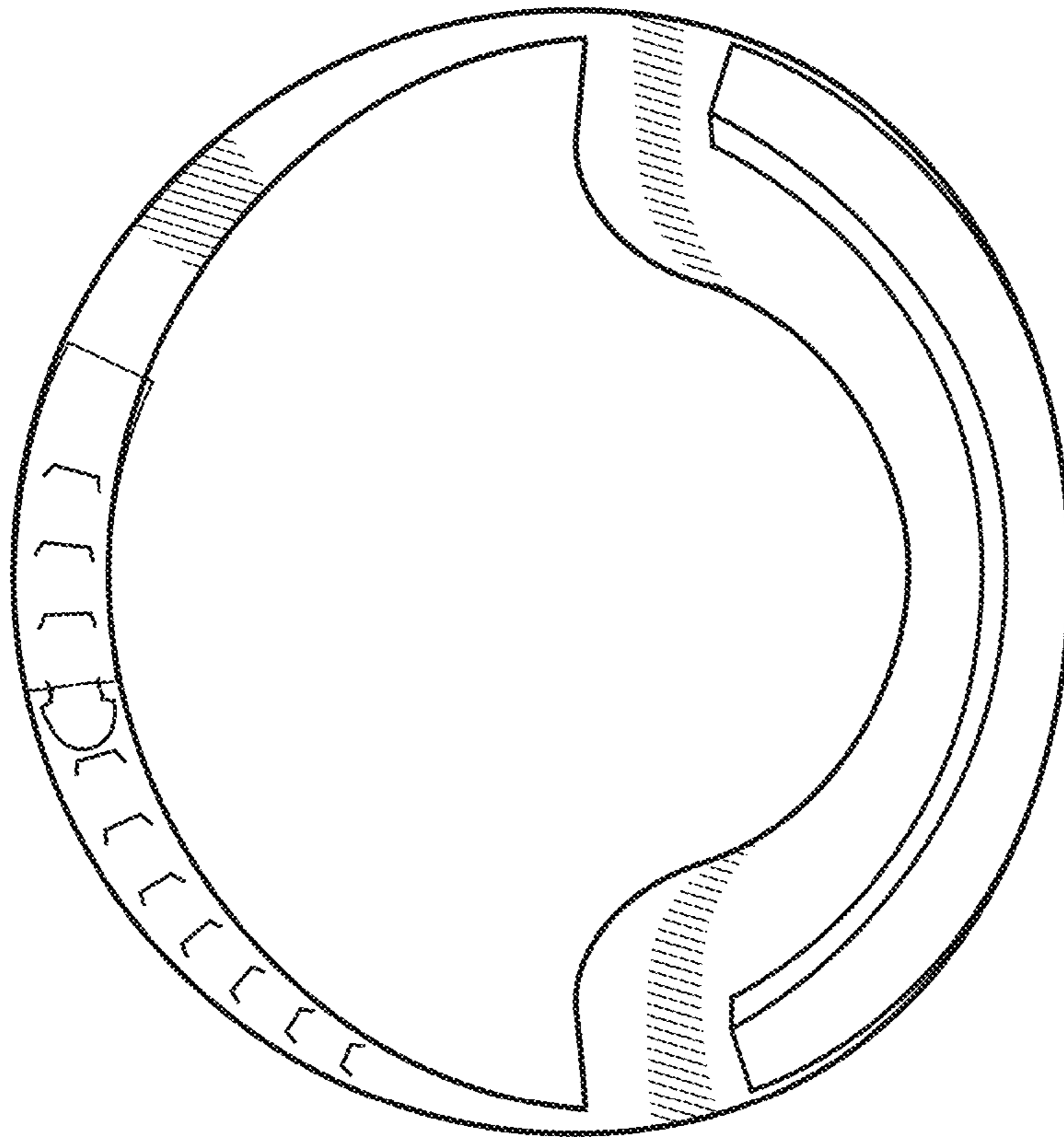


FIG. 6

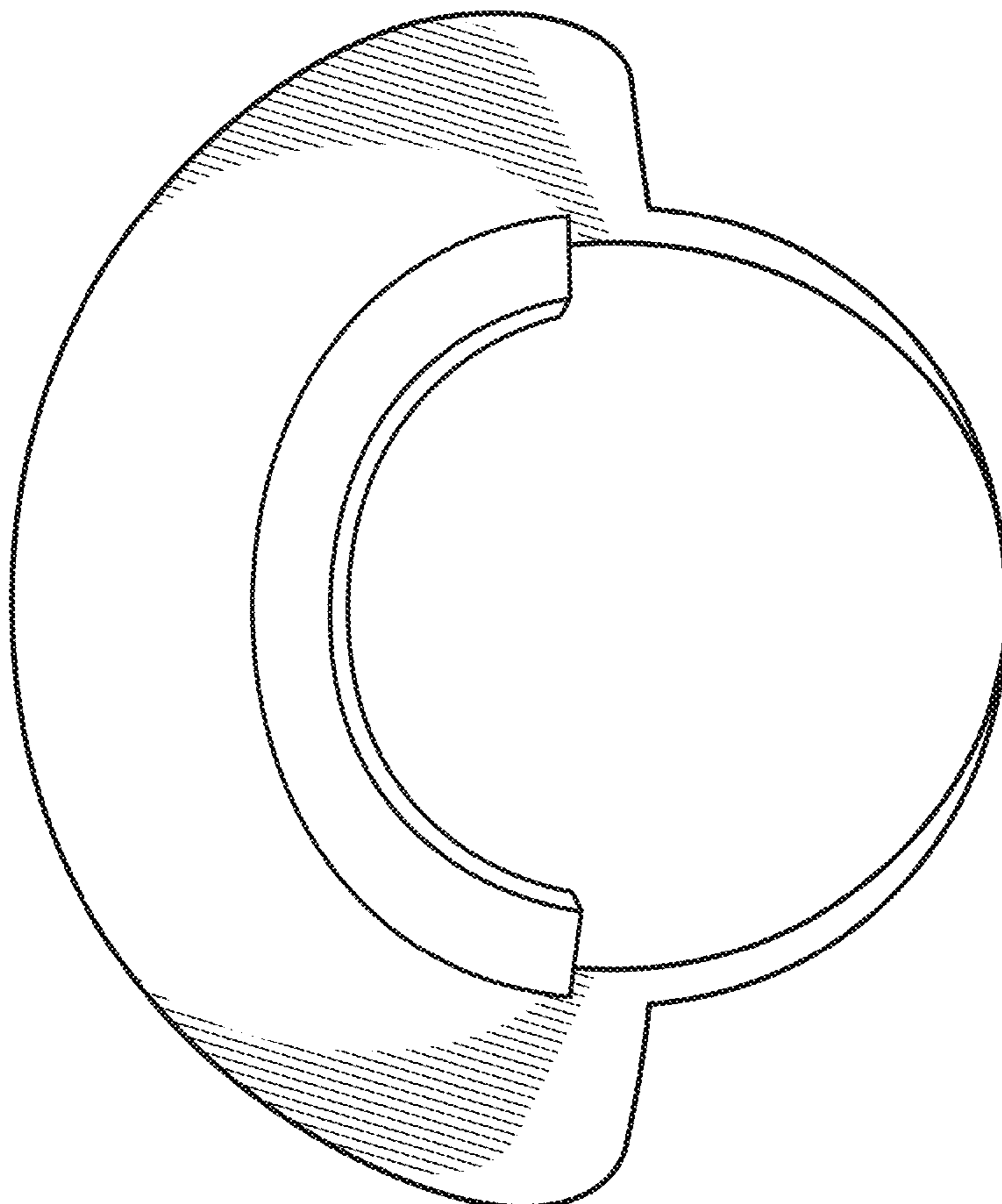


FIG. 5

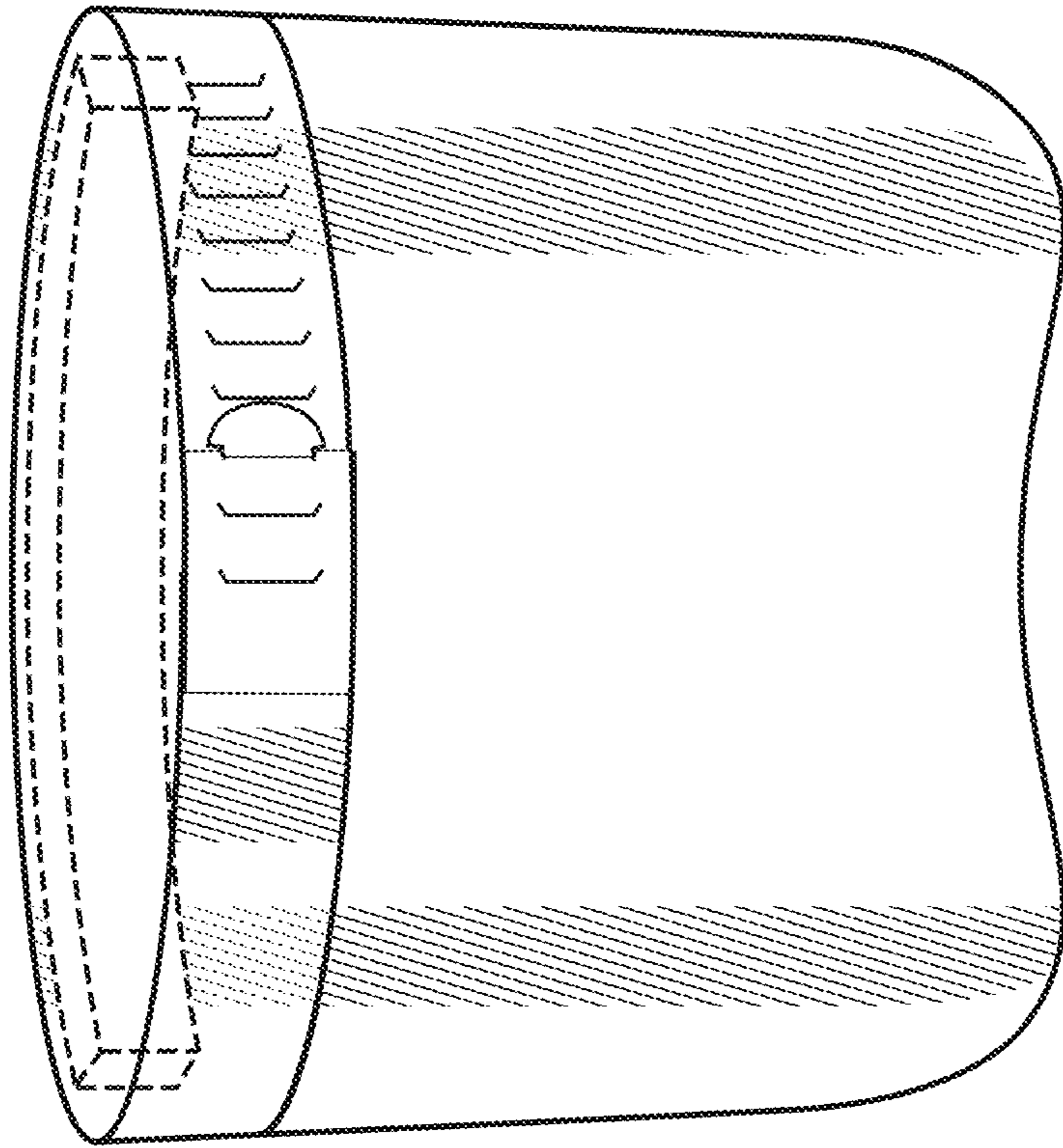


FIG. 7

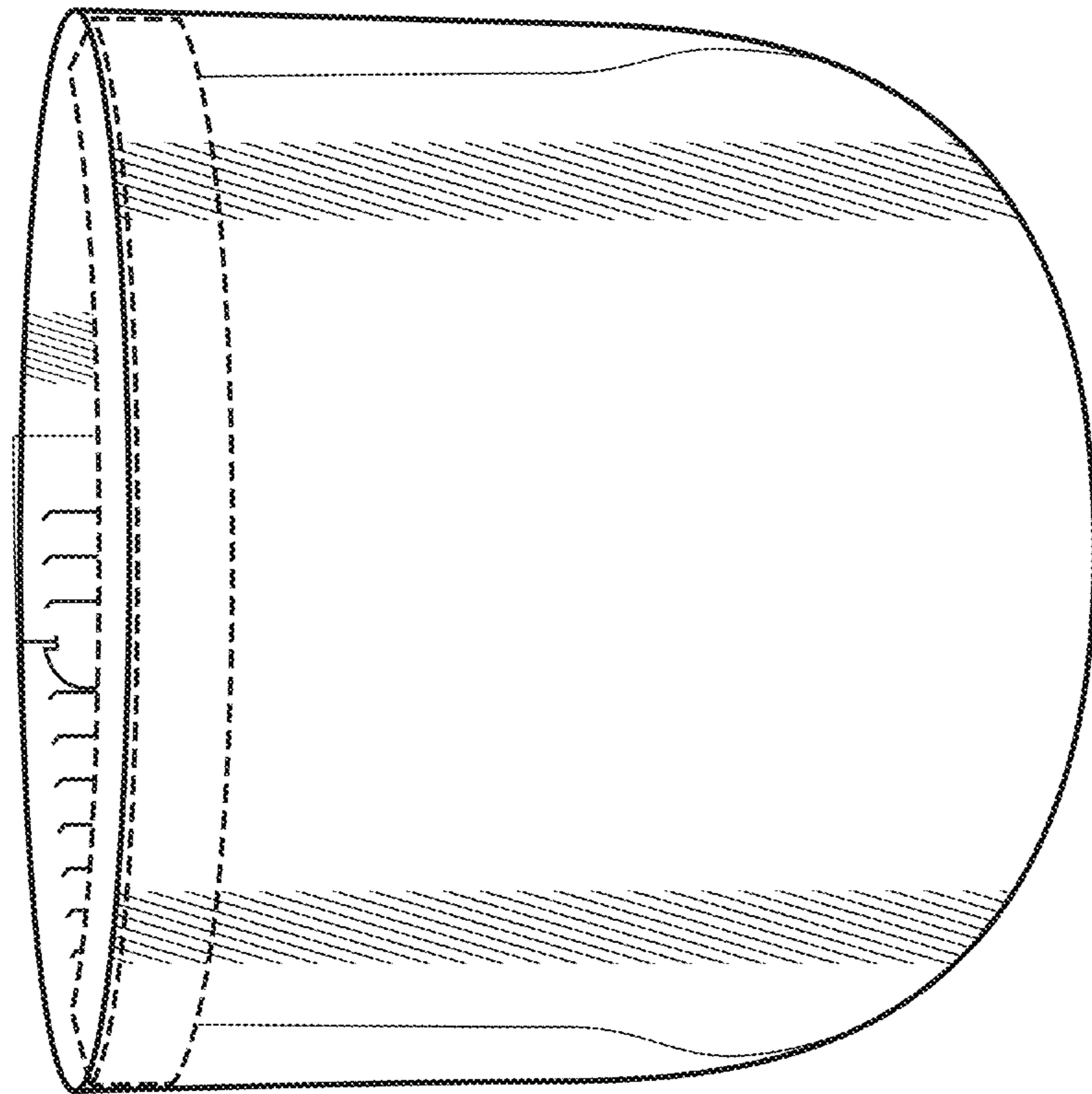


FIG. 8

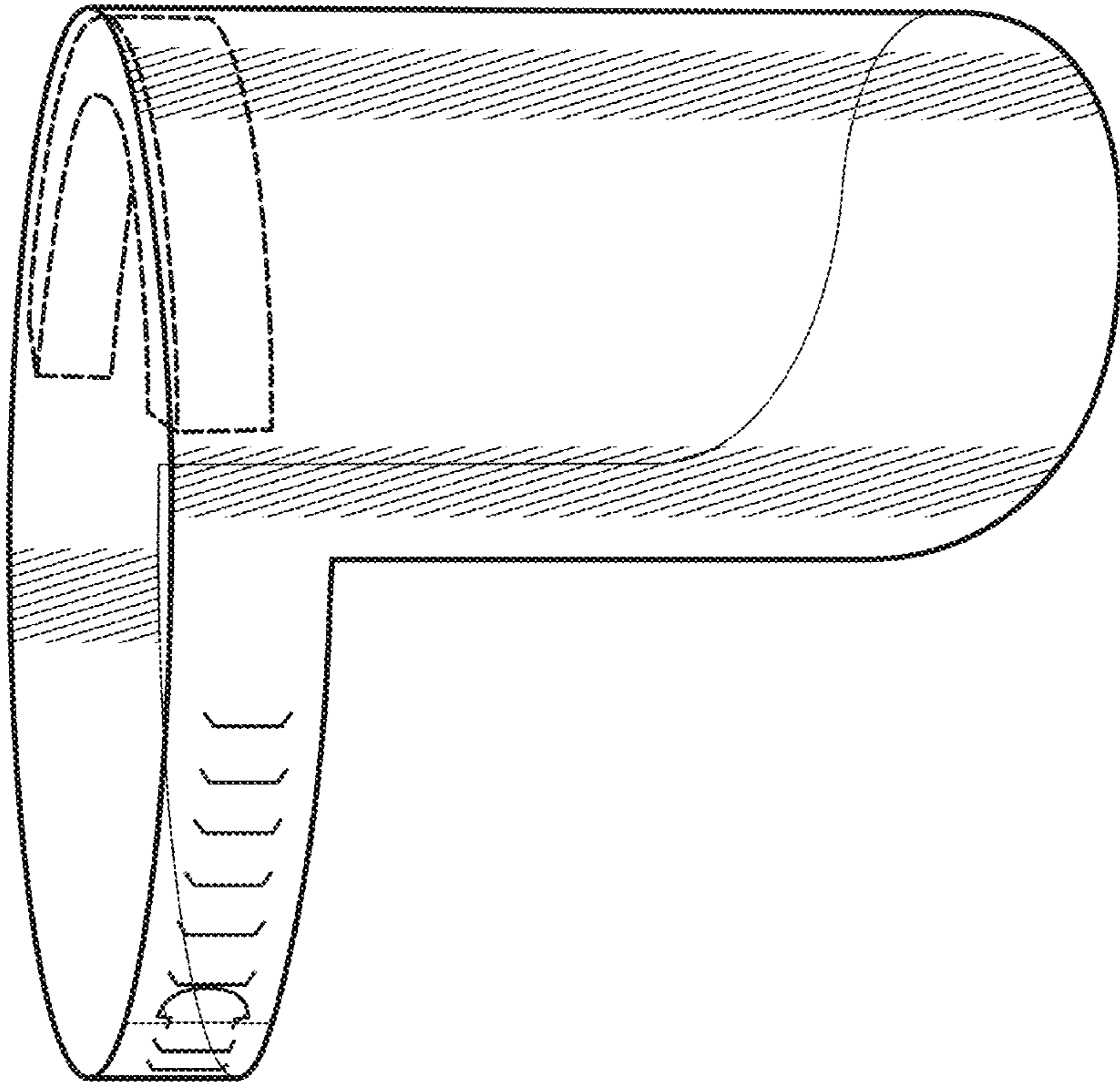


FIG. 10

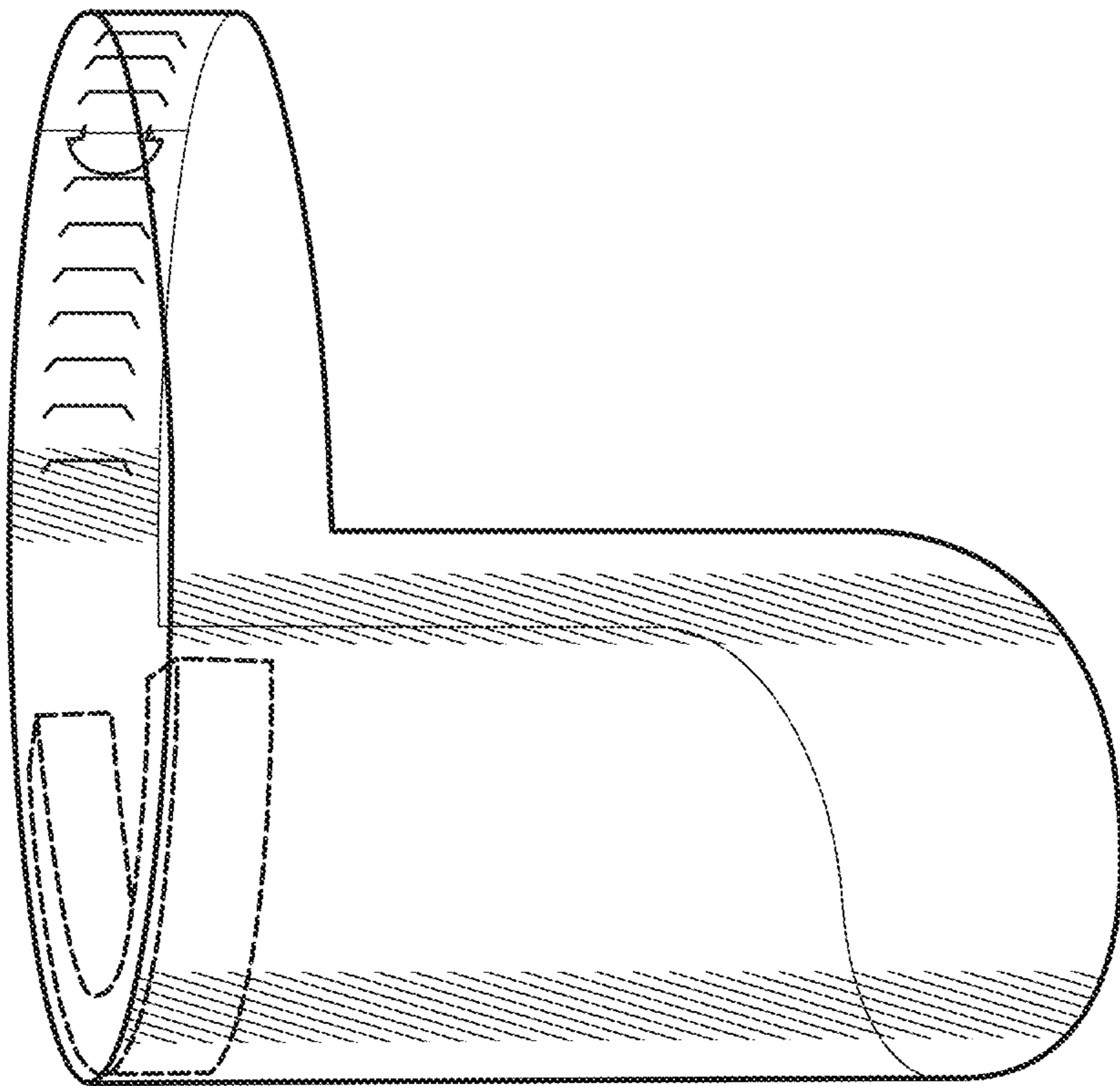


FIG. 9

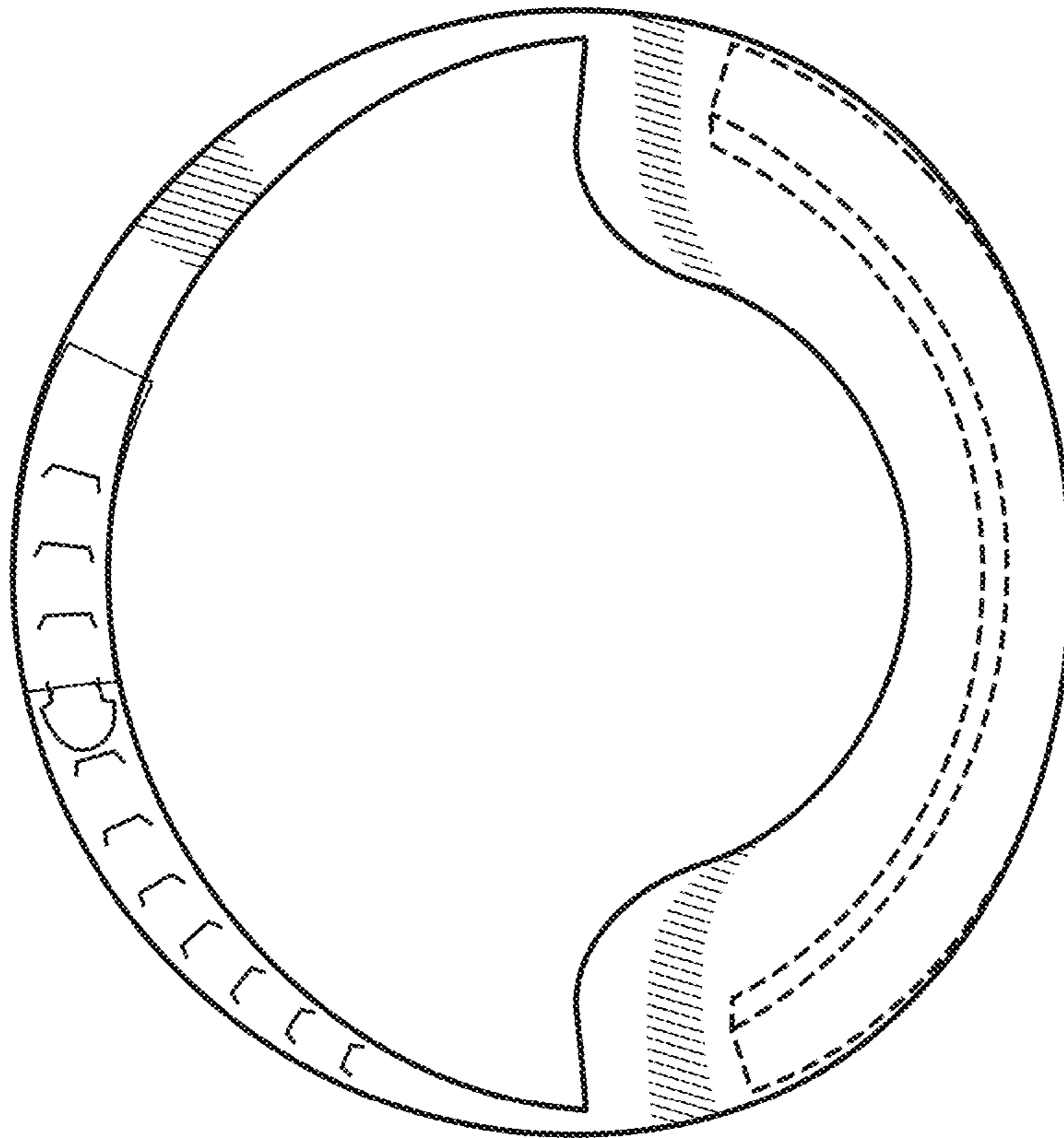


FIG. 12

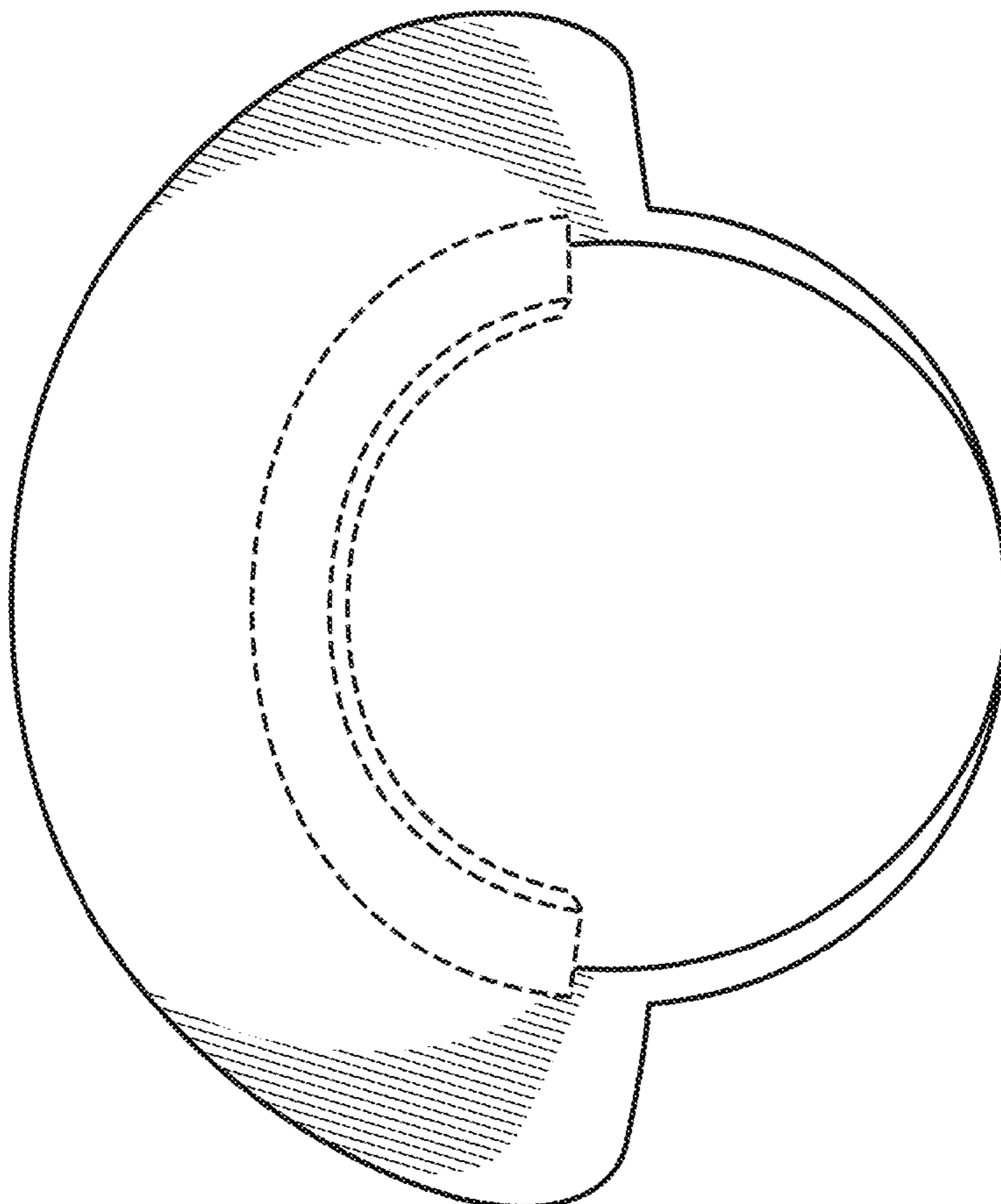


FIG. 11

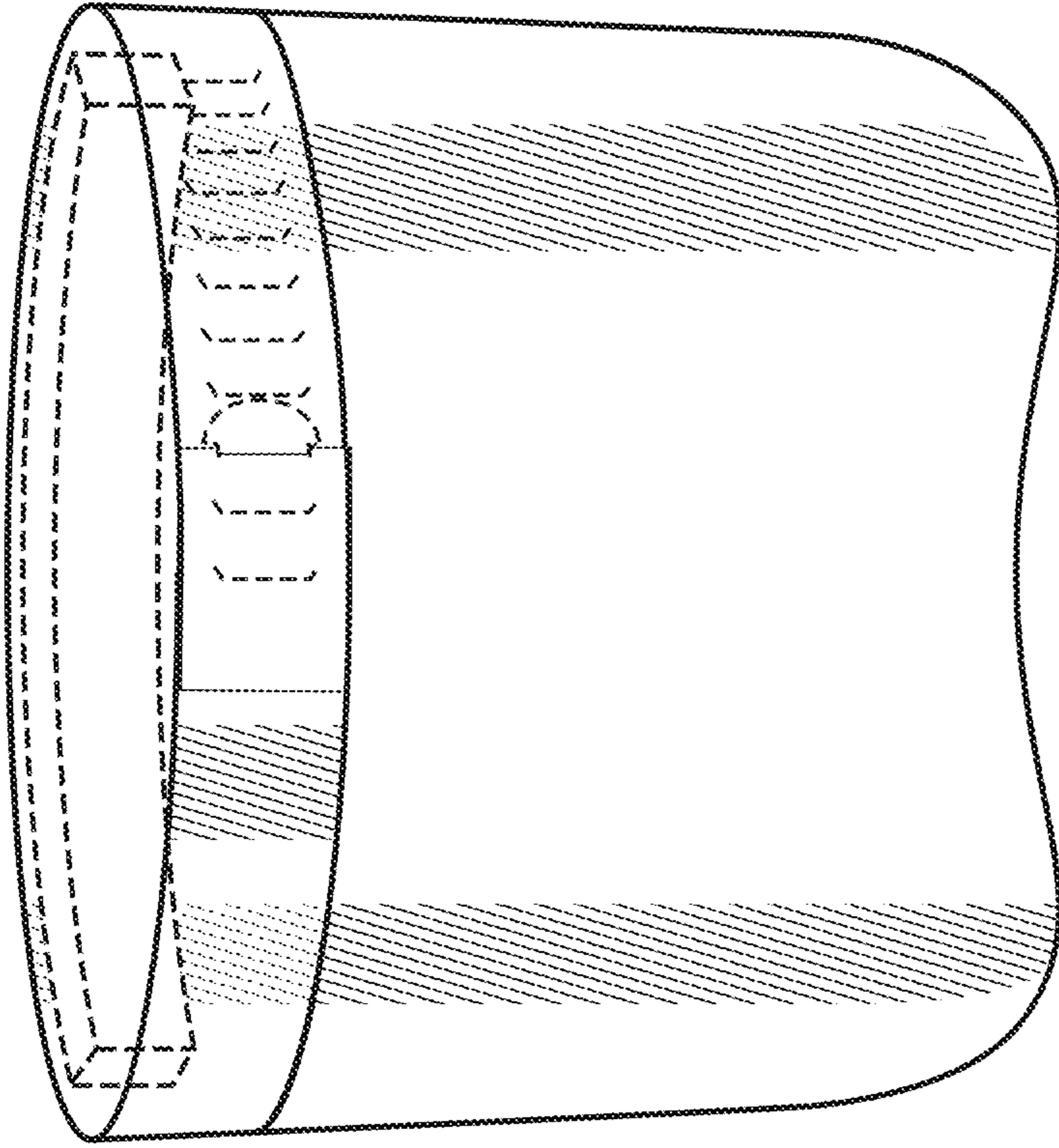


FIG. 14

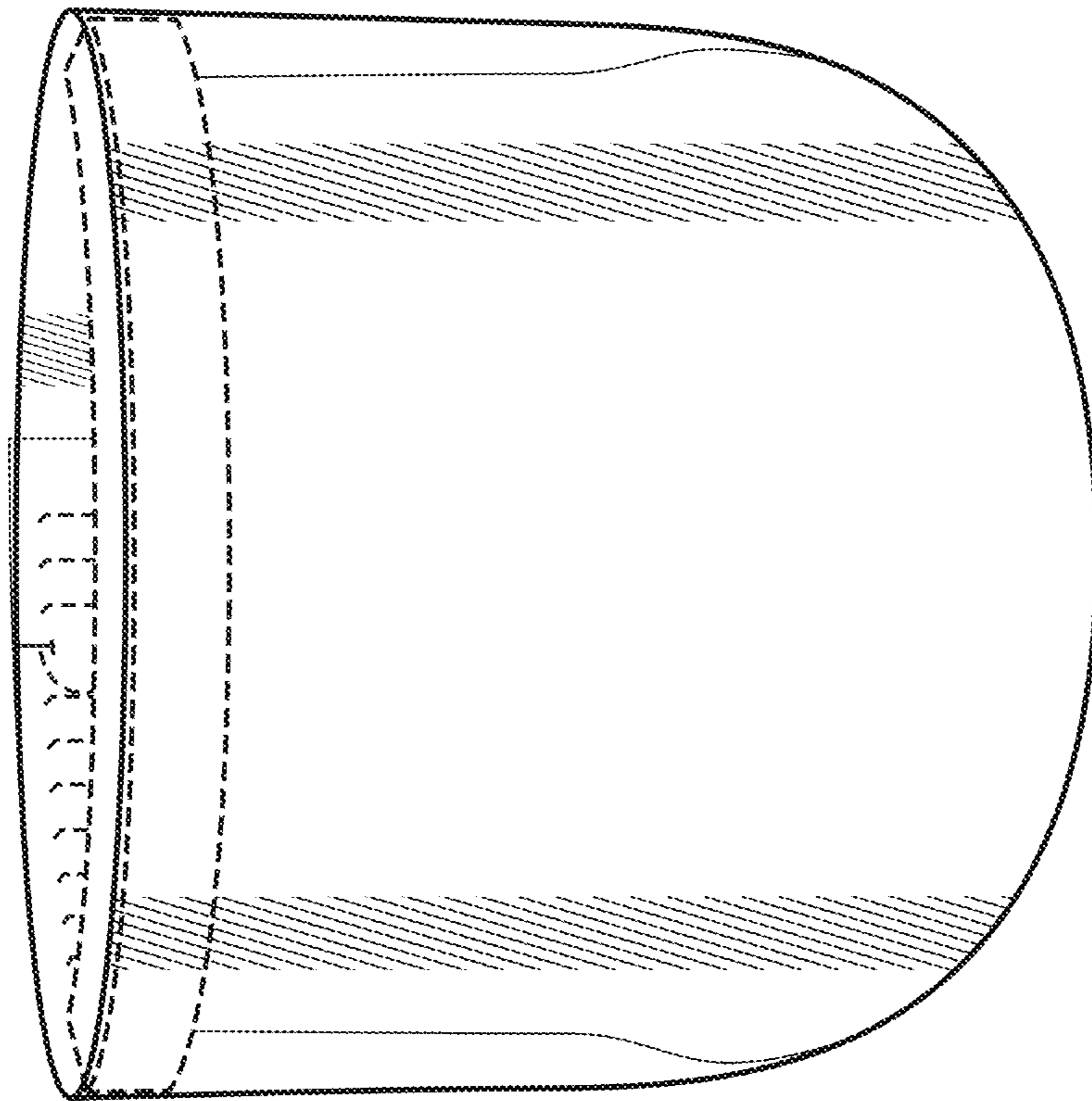


FIG. 13

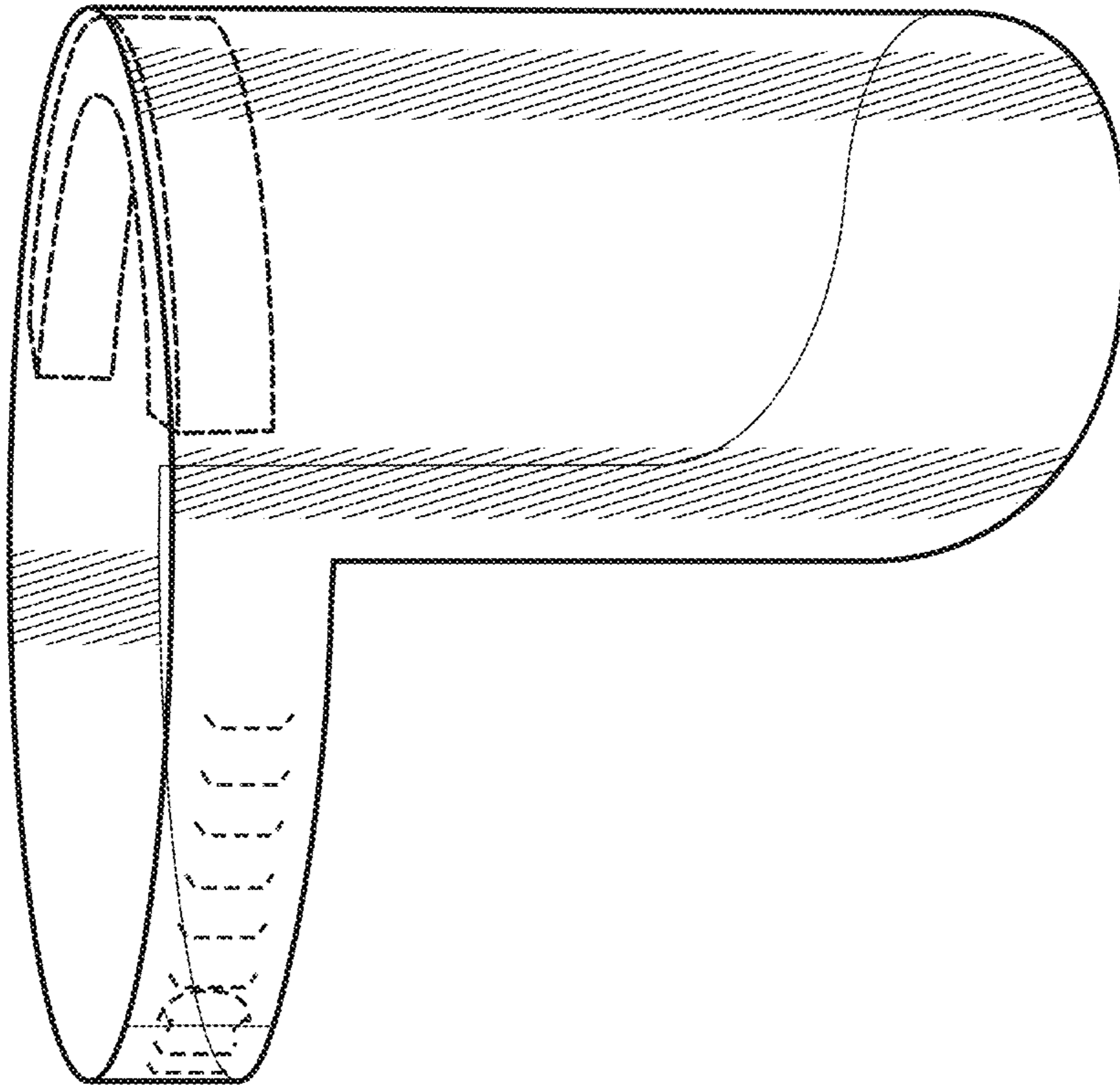


FIG. 15

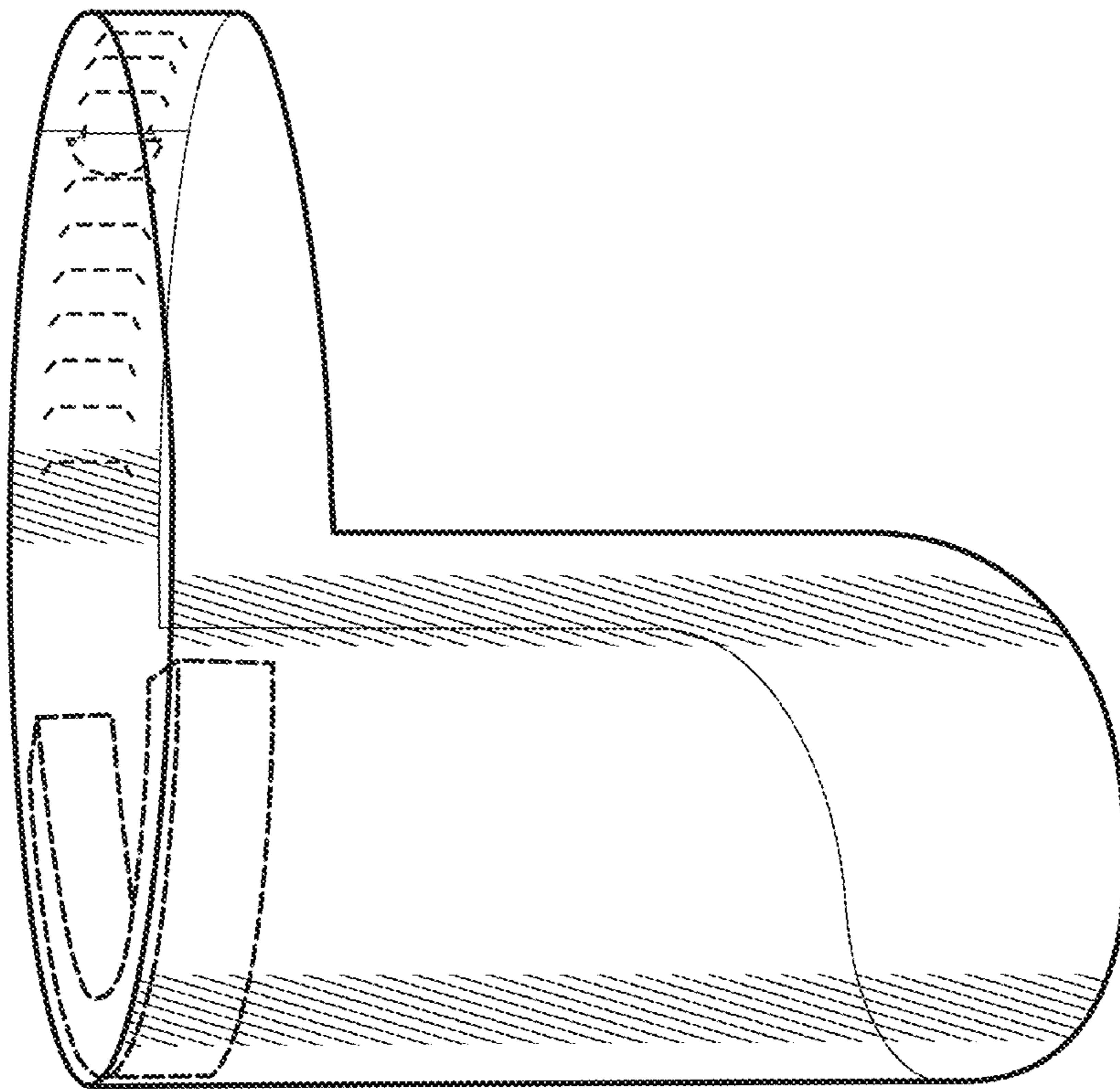


FIG. 16

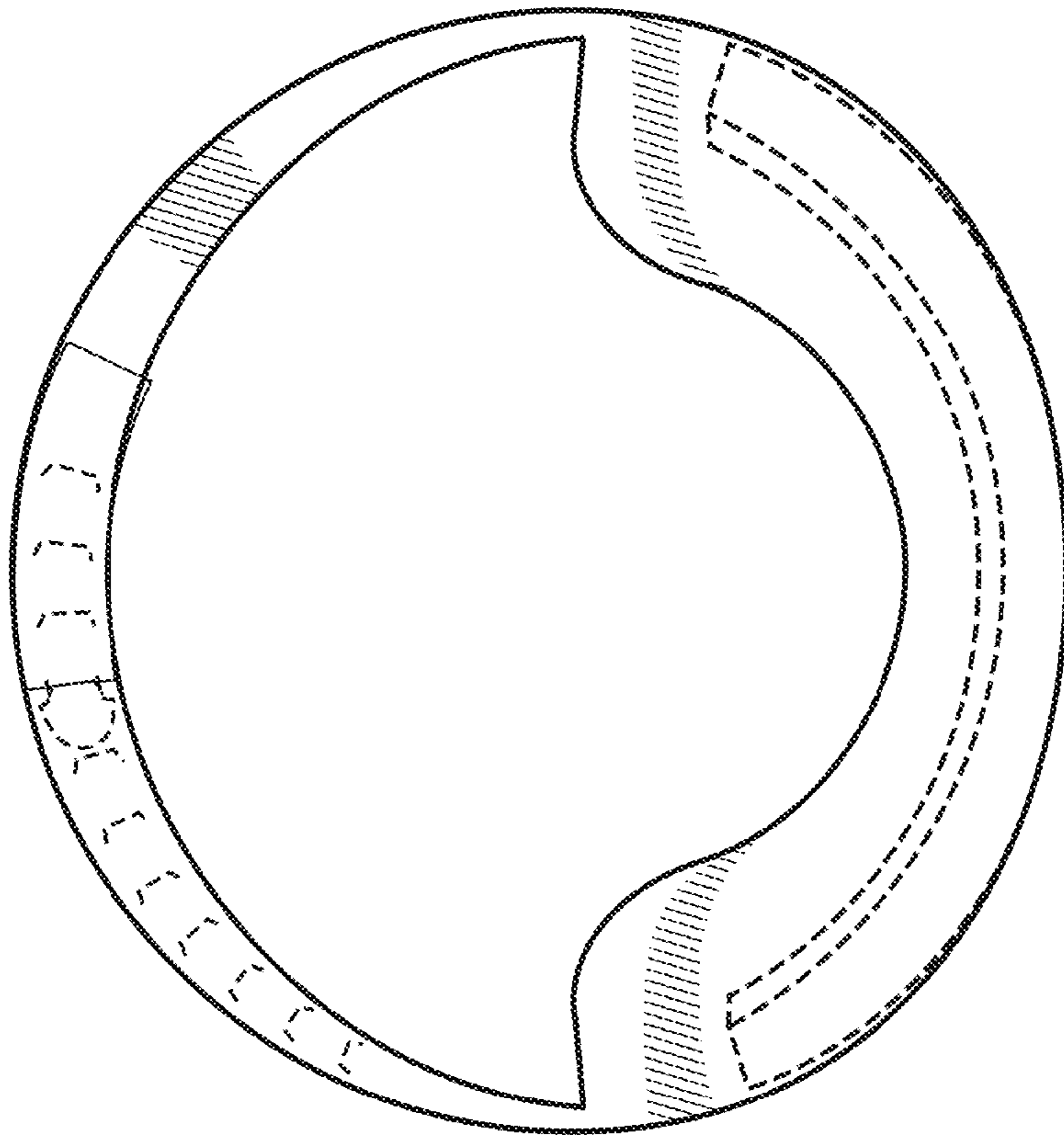


FIG. 17

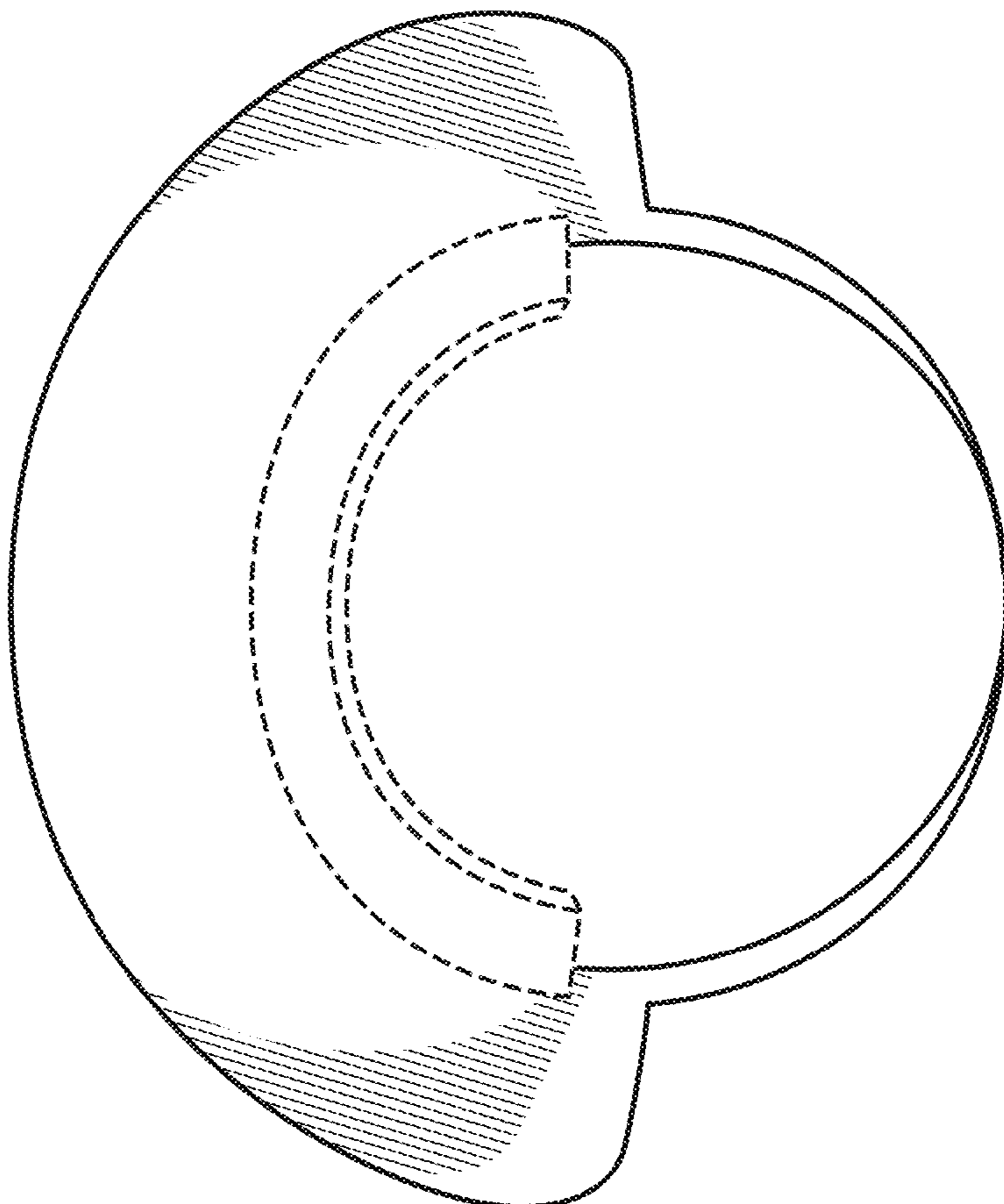


FIG. 18