



US00D926374S

(12) **United States Design Patent** (10) **Patent No.:** **US D926,374 S**
Washington et al. (45) **Date of Patent:** **** Jul. 27, 2021**

(54) **SHAVING RAZOR CARTRIDGE COVER**

7,954,244 B2 * 6/2011 Orloff B26B 21/42
30/50

(71) Applicant: **The Gillette Company LLC**, Boston, MA (US)

8,191,265 B2 6/2012 Micinilio
D665,948 S * 8/2012 Jessemey D28/47
D754,400 S * 4/2016 Andersson D28/54
D756,565 S * 5/2016 Andersson D28/54
9,751,226 B2 * 9/2017 Psimadas B26B 21/521
D874,727 S * 2/2020 Washington D28/47
D890,429 S * 7/2020 Chae D28/47
10,836,060 B2 * 11/2020 Squires B26B 21/4037

(72) Inventors: **Jack Anthony Washington**, Mendon, MA (US); **Ulises Hernando Bautista**, Boston, MA (US); **Vincent Paul Walker, Jr.**, Bridgewater, MA (US); **Tina Marie Hallett**, Weymouth, MA (US)

(Continued)

FOREIGN PATENT DOCUMENTS

(73) Assignee: **The Gillette Company LLC**, Boston, MA (US)

WO WO2016036238 A3 4/2016
WO WO2017008856 A1 1/2017

(Continued)

(**) Term: **15 Years**

OTHER PUBLICATIONS

(21) Appl. No.: **29/686,509**

<https://www.ebay.com/itm/96-Pcs-Gillette-Guard-Razor-Blades-Cartridges-For-Safe-Smooth-Shave-Gillette-/142832006304> 96 Pcs Gillette Guard Razor, www.ebay.com, downloaded Dec. 18, 2020, 2 pages (Year: 2020).*

(22) Filed: **Apr. 4, 2019**

(51) **LOC (13) Cl.** **28-03**

(52) **U.S. Cl.**
USPC **D28/47**

(58) **Field of Classification Search**
USPC D28/47

CPC . B26B 21/42; B26B 21/4037; B26B 21/4012;
B26B 21/4018; B26B 21/4025
See application file for complete search history.

Primary Examiner — Jennifer Rivard

(74) *Attorney, Agent, or Firm* — John M. Lipchitz

(57) **CLAIM**

The ornamental design for a shaving razor cartridge cover, as shown and described.

(56) **References Cited**

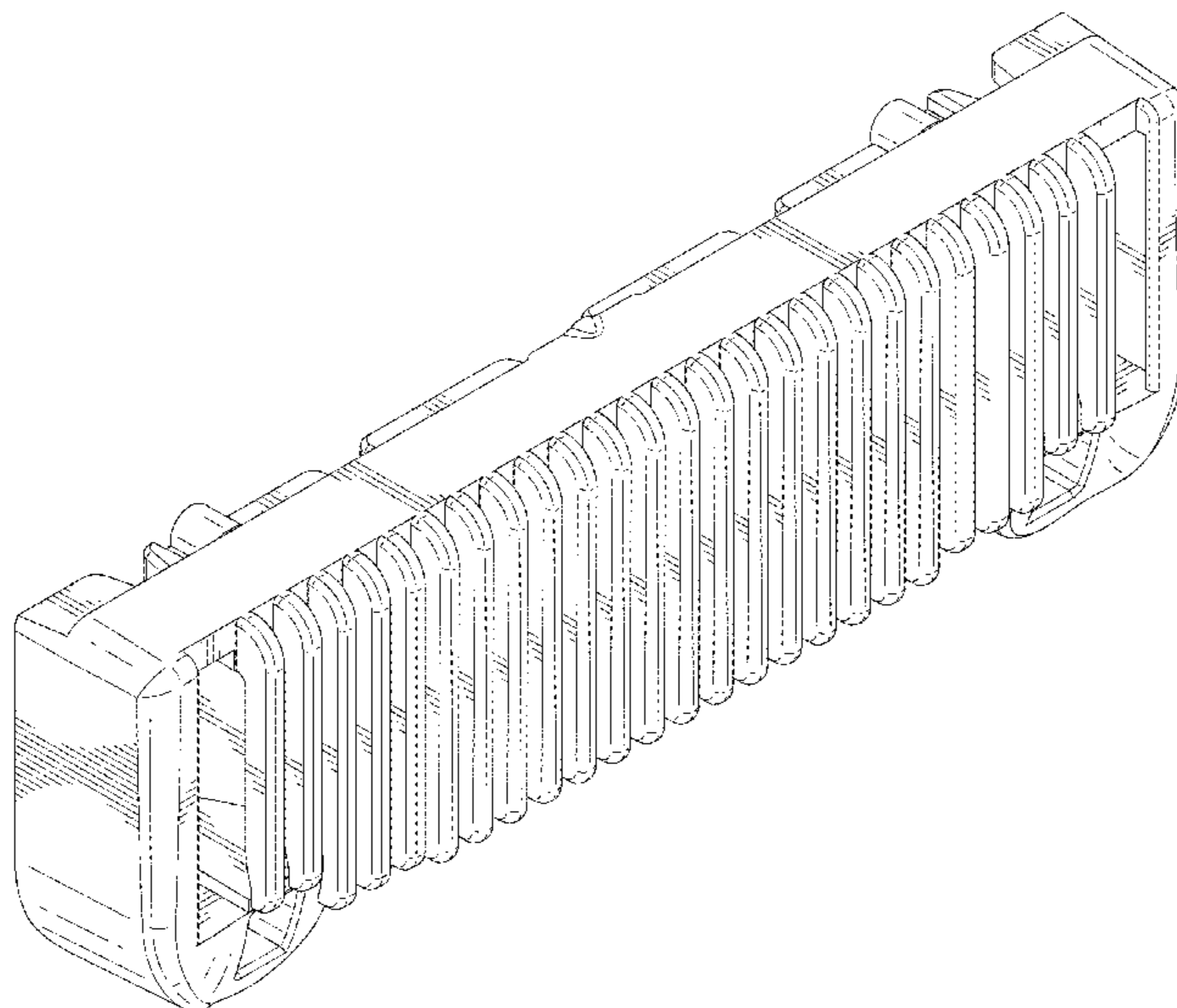
DESCRIPTION

U.S. PATENT DOCUMENTS

2,234,440 A * 3/1941 Lewis B26B 21/08
30/30
3,505,734 A 4/1970 Iten
4,094,066 A 6/1978 Daniel, Jr.
4,211,006 A 7/1980 Caco
4,914,817 A 4/1990 Galligan
7,322,109 B2 1/2008 Newkirk
D602,634 S * 10/2009 Cataudella D28/46
D616,606 S * 5/2010 Adams D28/47
D617,497 S * 6/2010 Goodhead D28/47
D630,377 S 1/2011 Wattam

FIG. 1 is a first perspective view of a design of a shaving razor cartridge cover of the present invention; FIG. 2 is a top view thereof; FIG. 3 is a bottom view thereof; FIG. 4 is a left side view thereof; FIG. 5 is a right side view thereof; FIG. 6 is a rear view thereof; FIG. 7 is a front view thereof; and, FIG. 8 is a second perspective view thereof.

1 Claim, 6 Drawing Sheets



(56)

References Cited

U.S. PATENT DOCUMENTS

2010/0011586 A1 1/2010 Goodhead
2010/0058595 A1* 3/2010 Walker, Jr. B26B 21/4012
30/77
2011/0094108 A1* 4/2011 Wain B26B 21/4025
30/77
2013/0199346 A1 8/2013 Psimadas
2017/0210020 A1* 7/2017 Bozikis B26B 21/42
2017/0266826 A1* 9/2017 Kole B26B 21/02
2018/0169879 A1* 6/2018 Psimadas B26B 21/42
2019/0047165 A1* 2/2019 Gegg B26B 21/4081
2020/0338770 A1* 10/2020 Moustakas B26B 21/443

FOREIGN PATENT DOCUMENTS

WO WO2017137849 A1 8/2017
WO WO2018019953 A1 2/2018

* cited by examiner

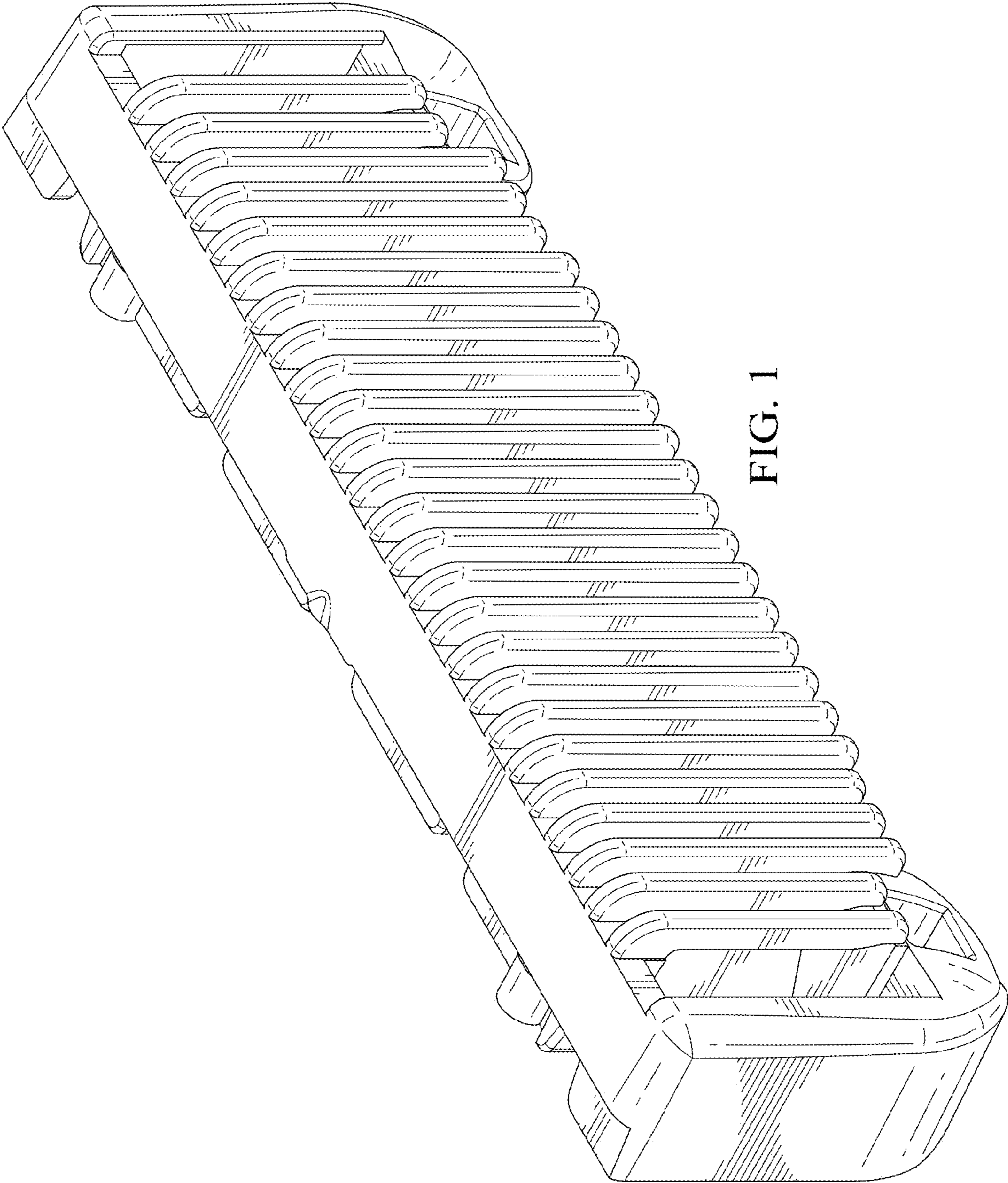


FIG. 1

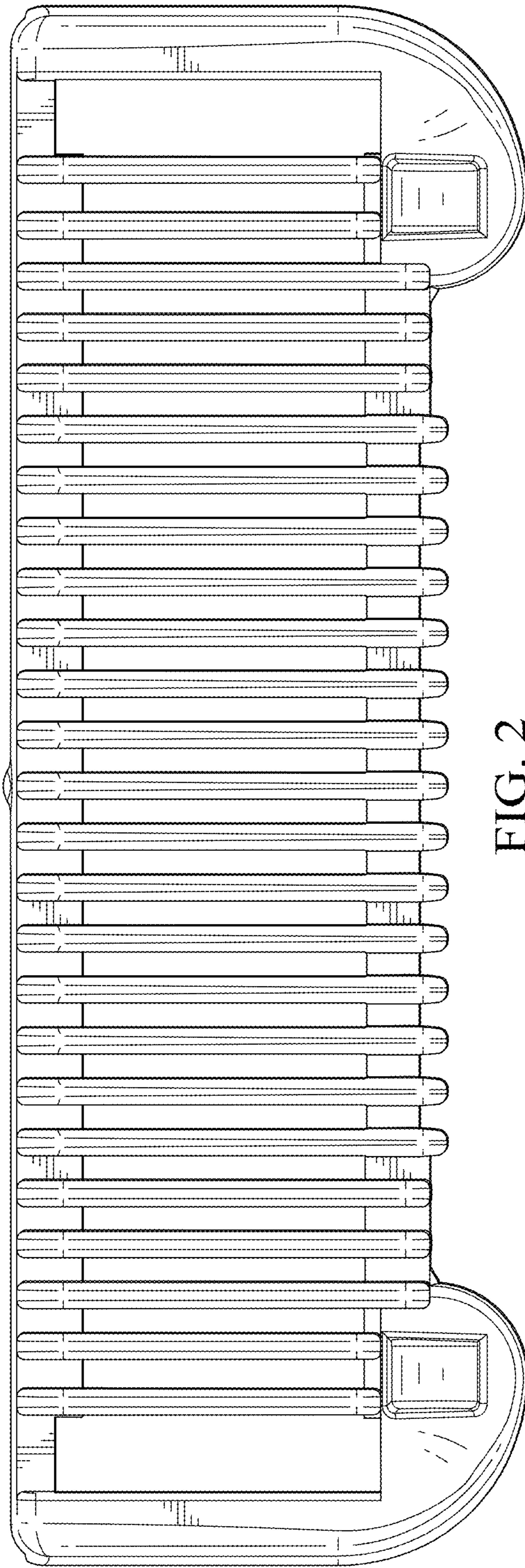


FIG. 2

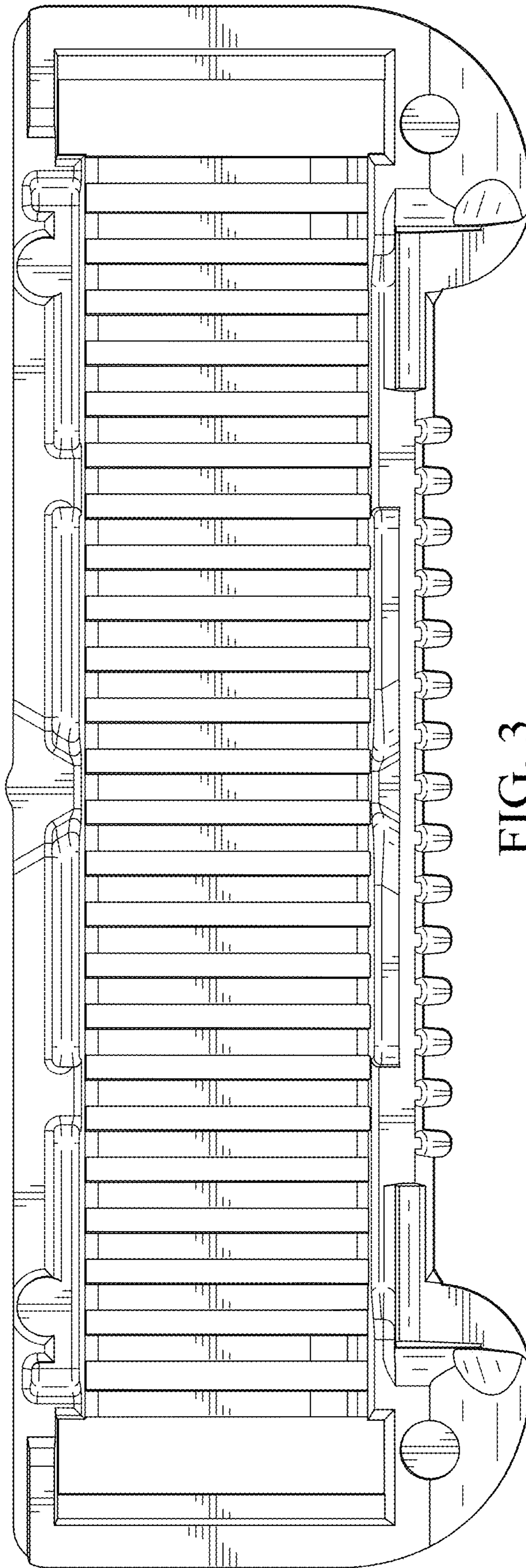


FIG. 3

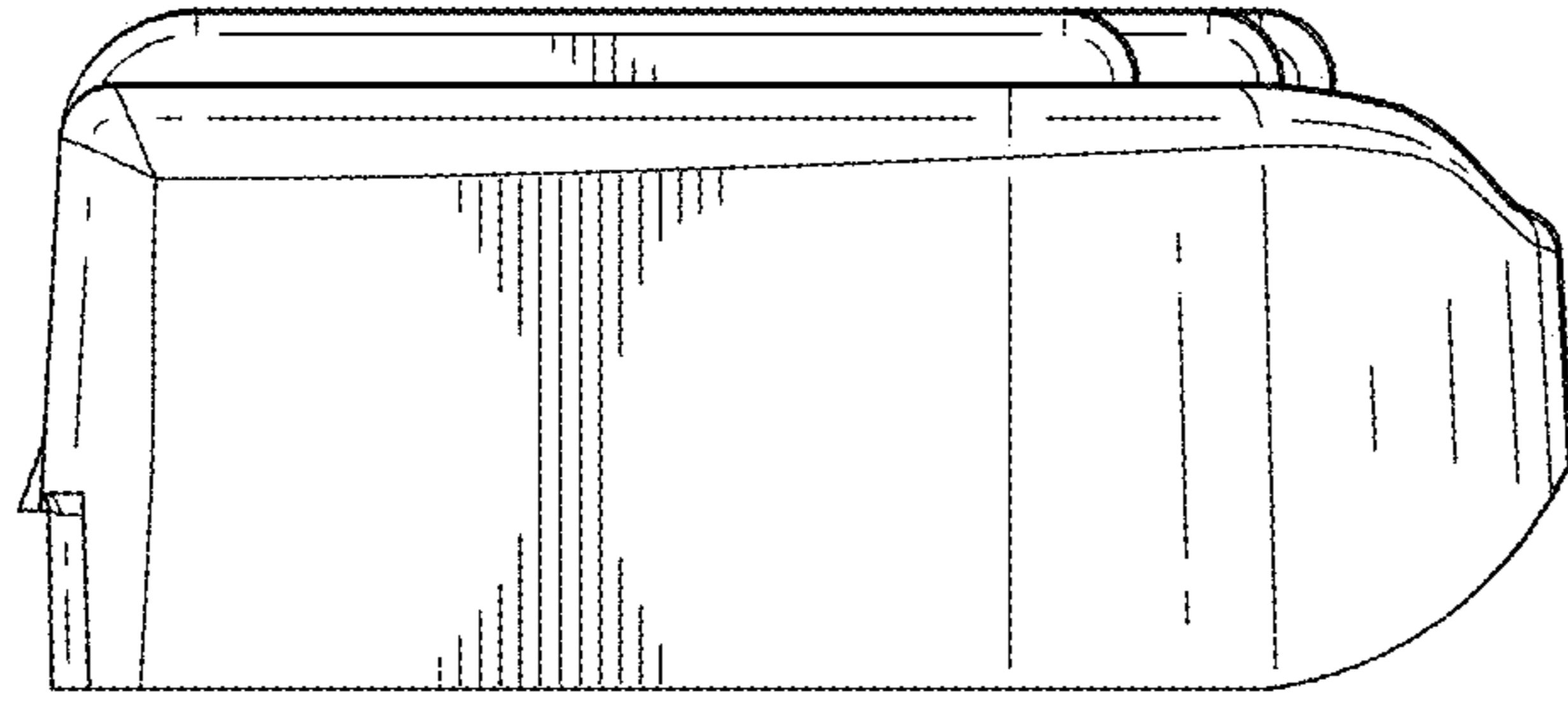


FIG. 5

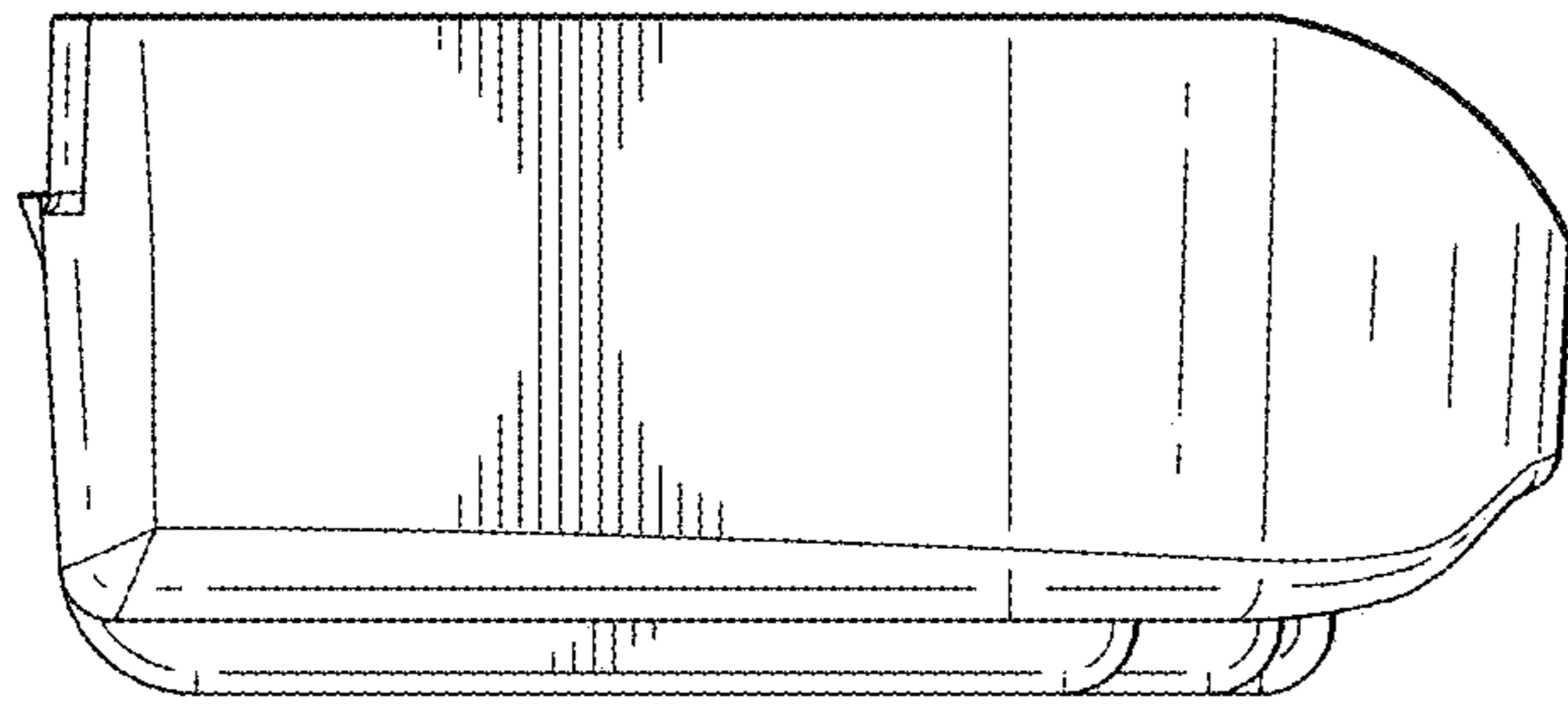


FIG. 4

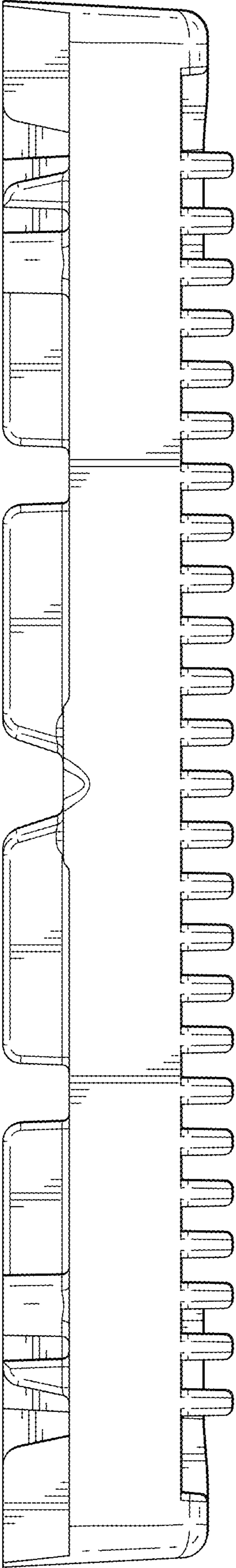


FIG. 6

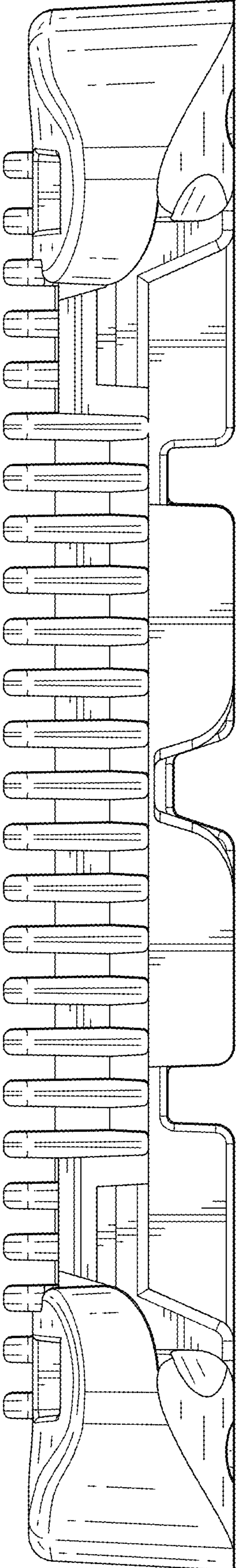


FIG. 7

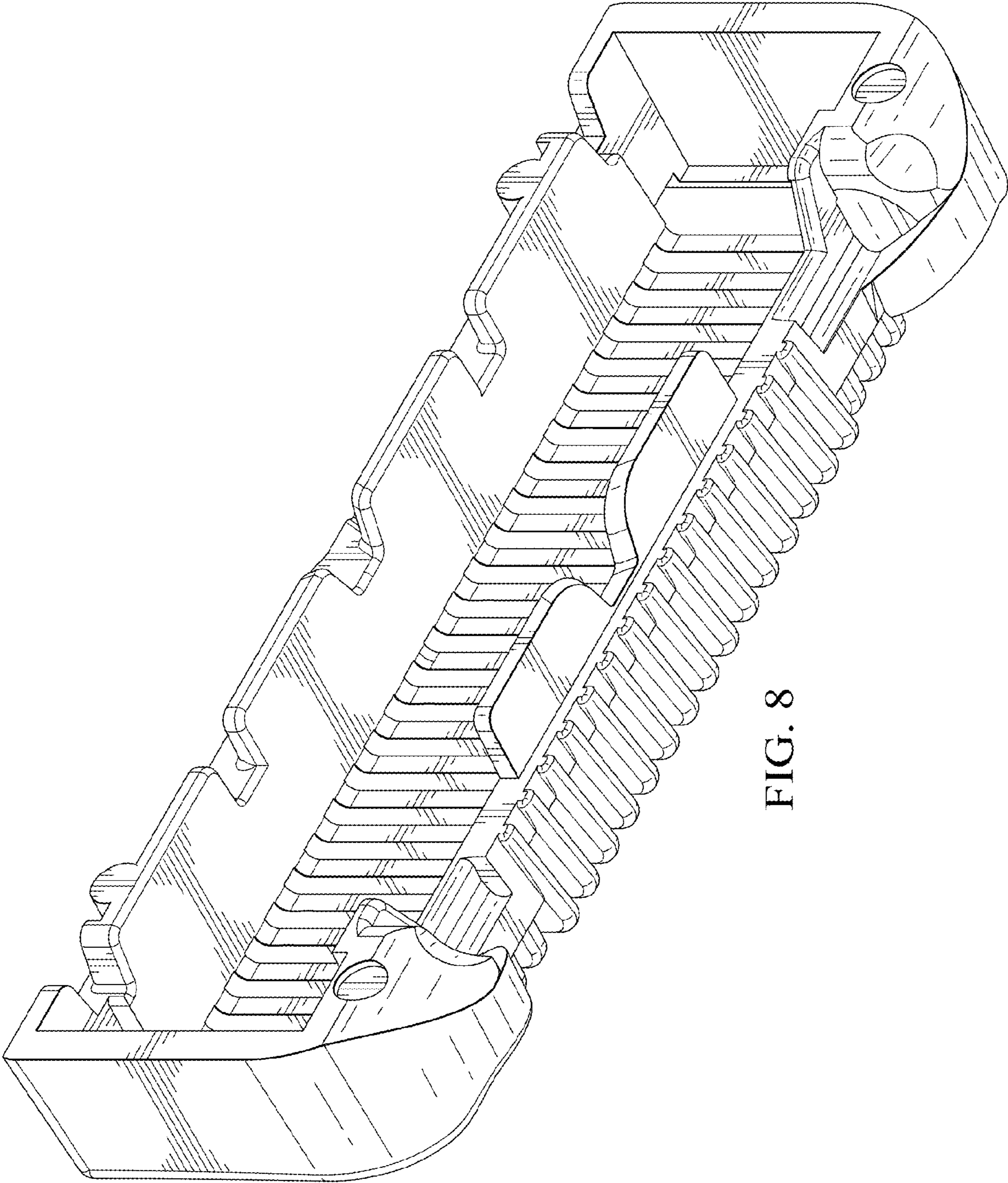


FIG. 8