



US00D926371S

(12) **United States Design Patent** (10) **Patent No.:** **US D926,371 S**
Liang (45) **Date of Patent:** **** Jul. 27, 2021**

(54) **HAIR CURLER**

FOREIGN PATENT DOCUMENTS

(71) Applicant: **Yongli Liang**, Guangxi (CN)

CN 305839597 * 11/2019

(72) Inventor: **Yongli Liang**, Guangxi (CN)

OTHER PUBLICATIONS

(**) Term: **15 Years**

AmoVee Mini Flat Iron Smart Ceramic Tourmaline Hair Straightener [online], [site visited Nov. 2, 2020]. Available from internet, URL: <https://www.amazon.com/Ceramic-Tourmaline-Straightener-Negative-Technology/dp/B011OEP9CM/> (Year: 2016).*

(21) Appl. No.: **29/718,383**

(22) Filed: **Dec. 24, 2019**

(51) **LOC (13) Cl.** **28-03**

* cited by examiner

(52) **U.S. Cl.**

USPC **D28/35**

(58) **Field of Classification Search**

USPC D28/10, 35, 37, 38

CPC A45D 2/00; A45D 2001/045; A45D 1/16;

A45D 1/04; A45D 1/18; A45D 1/06-14;

A45D 2/02-10; A45D 2/38-42; A45D

2/001-002

See application file for complete search history.

Primary Examiner — Cynthia Ramirez

Assistant Examiner — Xavier Marti-Santos

(74) *Attorney, Agent, or Firm* — Zhihua Han; Wen IP LLC

(57) **CLAIM**

I claim the ornamental design for a hair curler, as shown and described.

(56) **References Cited**

DESCRIPTION

U.S. PATENT DOCUMENTS

D504,541 S *	4/2005	Cho	D28/35
D609,400 S *	2/2010	Yang	D28/35
D618,395 S *	6/2010	Mau	D28/35
D619,760 S *	7/2010	Cheung	D28/35
D651,343 S *	12/2011	Robson	D28/35
2011/0132391 A1 *	6/2011	Cheung	A45D 1/04
				132/269
2011/0259356 A1 *	10/2011	Barton	A45D 1/04
				132/227
2012/0312320 A1 *	12/2012	Humphreys	A45D 1/28
				132/211
2013/0263881 A1 *	10/2013	Story	A45D 2/001
				132/223
2016/0271646 A1 *	9/2016	deGrood	A45D 27/00
2018/0177272 A1 *	6/2018	Nakasone	A45D 1/06

FIG. 1 is a front view of a hair curler at a closed position, showing my new design;

FIG. 2 is front view of a hair curler at an open position, showing my new design;

FIG. 3 is a rear plan view thereof;

FIG. 4 is a bottom plan view thereof;

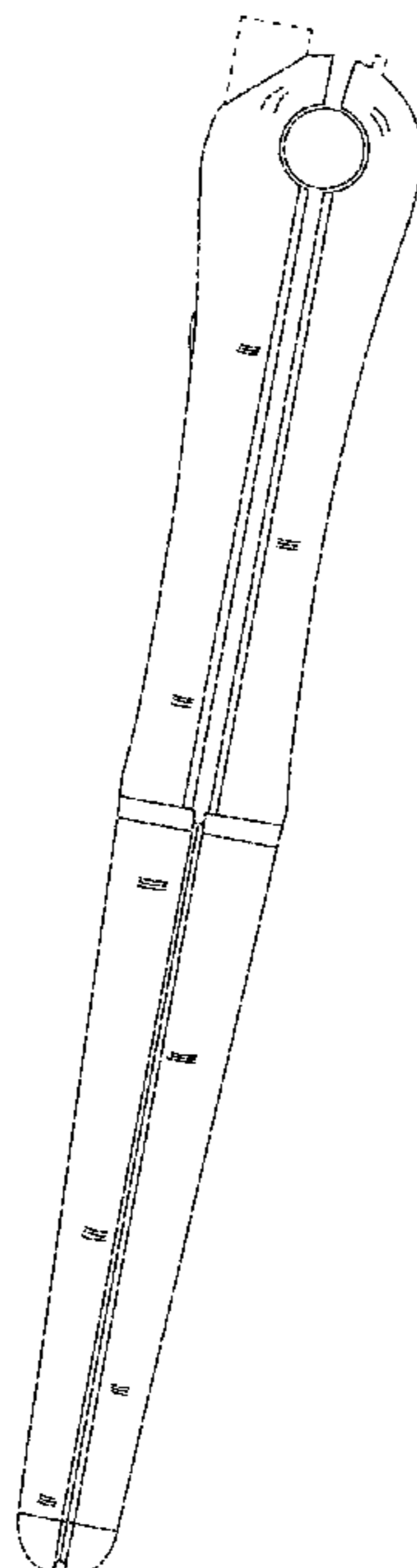
FIG. 5 is a top plan view thereof;

FIG. 6 is a left-side elevational view thereof; and,

FIG. 7 is a right-side elevational view thereof.

The broken lines in the figures are for the purpose of illustrating portions of the hair curler, which form no part of the claimed design.

1 Claim, 7 Drawing Sheets



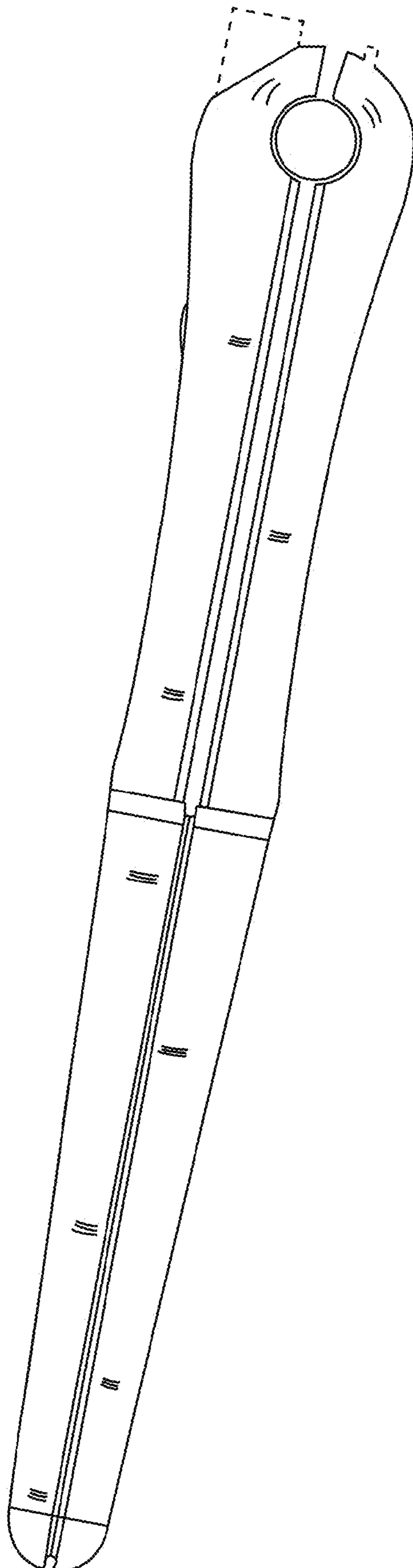


FIG. 1

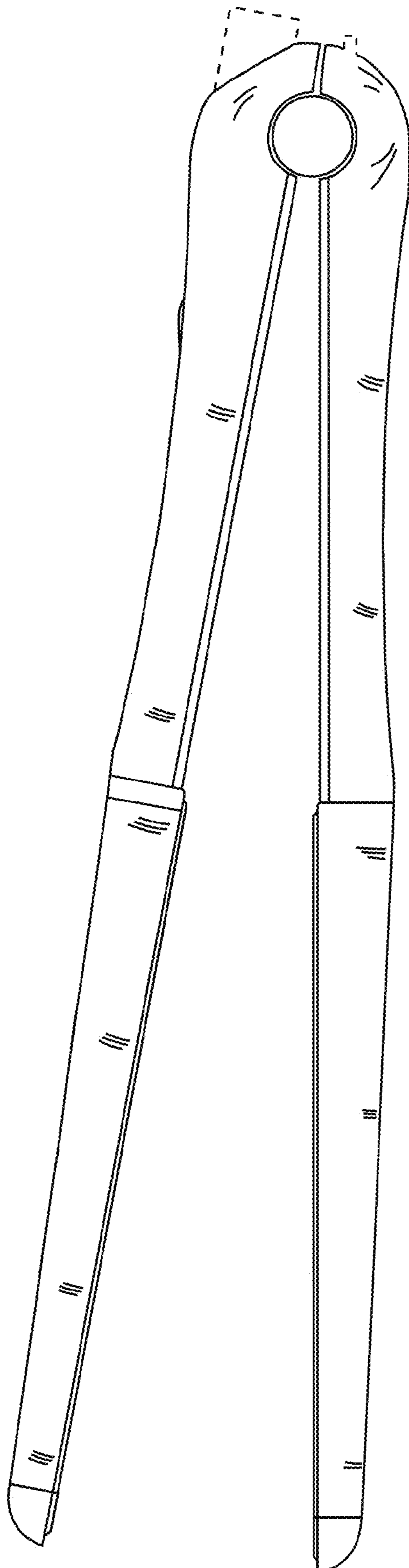


FIG. 2

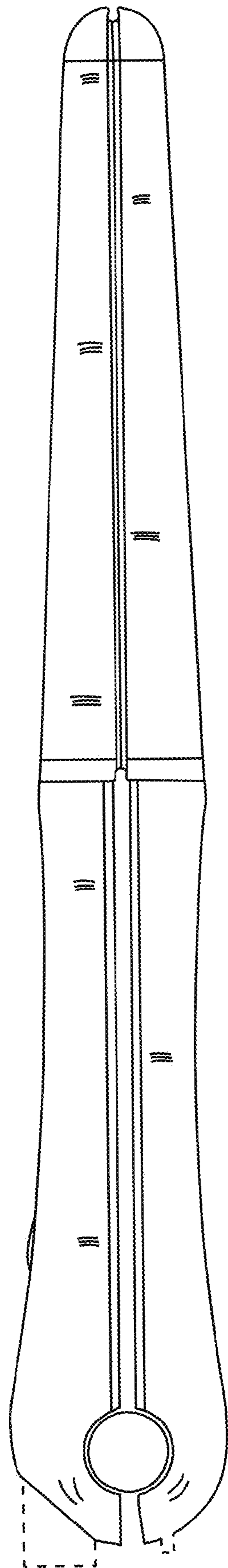


FIG. 3

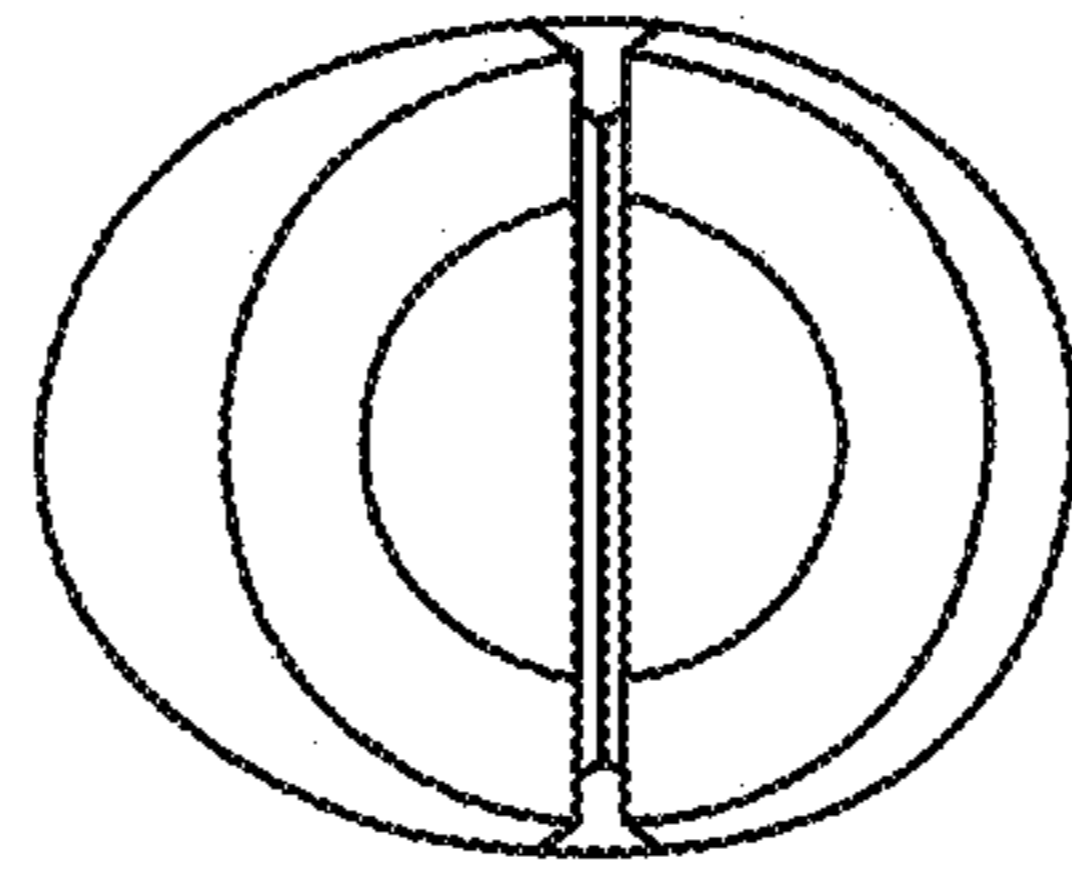


FIG. 4

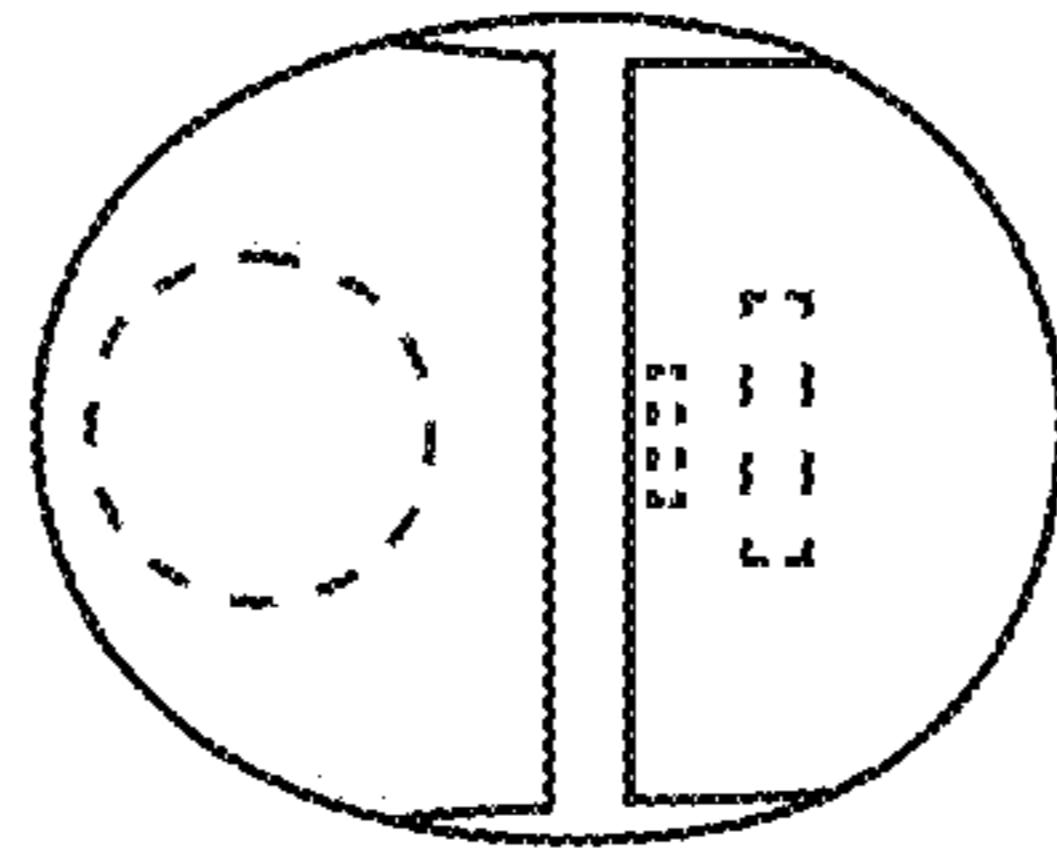


FIG. 5

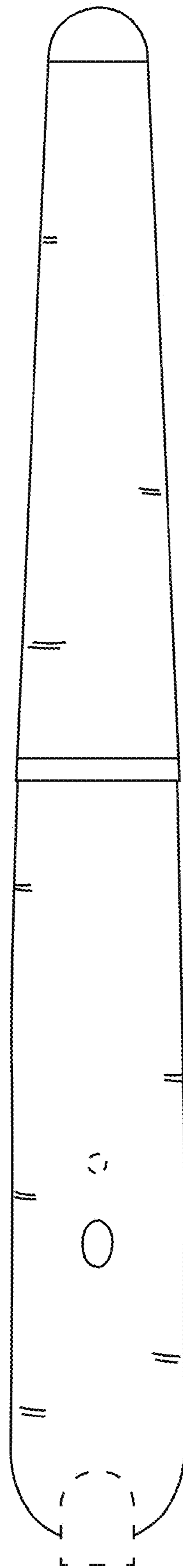


FIG. 6

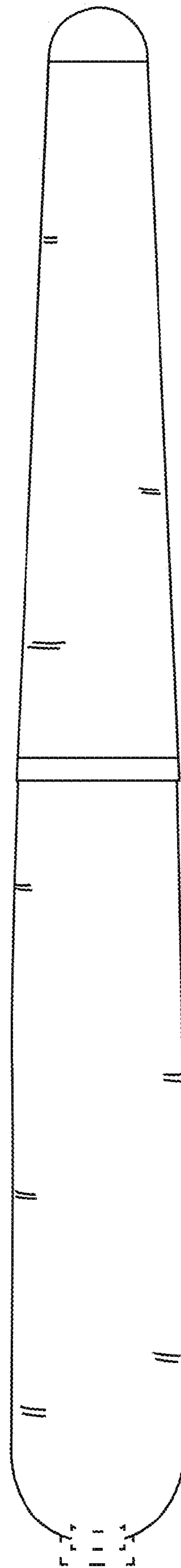


FIG. 7