



US00D926370S

(12) **United States Design Patent** (10) **Patent No.:** **US D926,370 S**  
**Sun et al.** (45) **Date of Patent:** **\*\* Jul. 27, 2021**

(54) **HAIR DRIER**

(71) Applicant: **SHENZHEN SOOCAS TECHNOLOGY CO., LTD.**, Guangdong (CN)

(72) Inventors: **Peng Sun**, Guangdong (CN); **Fandi Meng**, Guangdong (CN)

(73) Assignee: **Shenzhen Soocas Technology Co., Ltd.**, Shenzhen (CN)

(\*\*) Term: **15 Years**

(21) Appl. No.: **29/729,500**

(22) Filed: **Mar. 27, 2020**

(30) **Foreign Application Priority Data**

Dec. 5, 2019 (CN) ..... 201930678513.1

(51) **LOC (13) Cl.** ..... **28-03**

(52) **U.S. Cl.**  
USPC ..... **D28/13**

(58) **Field of Classification Search**

USPC ..... D28/12-19; D8/29.1  
CPC ..... A45D 20/00; A45D 20/08; A45D 20/10;  
A45D 20/12; A45D 20/122; A45D  
20/124; A45D 2020/128

See application file for complete search history.

(56) **References Cited**

U.S. PATENT DOCUMENTS

D248,048 S *	5/1978	Cousins .....	D28/13
D262,060 S *	11/1981	Nagelkerke .....	D28/13
D262,062 S *	11/1981	Nagelkerke .....	D28/13
D265,767 S *	8/1982	Stewart .....	D28/13
D299,874 S *	2/1989	Yamagami .....	D28/13

\* cited by examiner

*Primary Examiner* — Zenia I Bennett

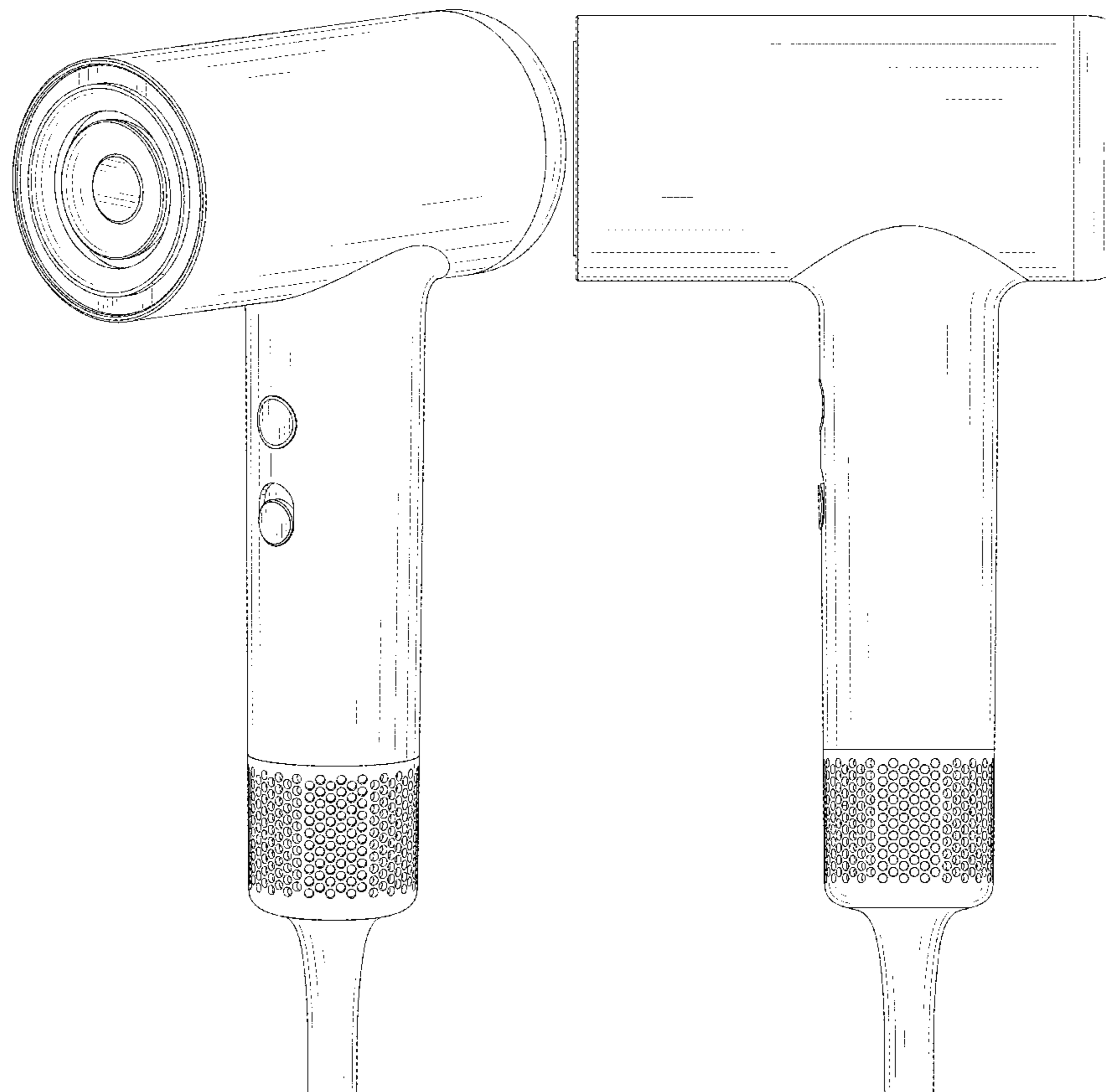
(57) **CLAIM**

The ornamental design for a hair drier, as shown and described.

**DESCRIPTION**

FIG. 1 is a front and right side perspective view of a hair drier showing our new design;  
FIG. 2 is a rear and left side perspective view thereof;  
FIG. 3 is a front elevational view thereof;  
FIG. 4 is a rear elevational view thereof;  
FIG. 5 is a left side view thereof;  
FIG. 6 is a right side view thereof;  
FIG. 7 is a top plan view thereof;  
FIG. 8 is a bottom plan view thereof;  
FIG. 9 is an enlarged view of portion 9 in FIG. 2; and,  
FIG. 10 is an enlarged view of portion 10 in FIG. 4.  
The broken lines in the drawings illustrate portions of the hair drier which form no part of the claimed design.

**1 Claim, 10 Drawing Sheets**



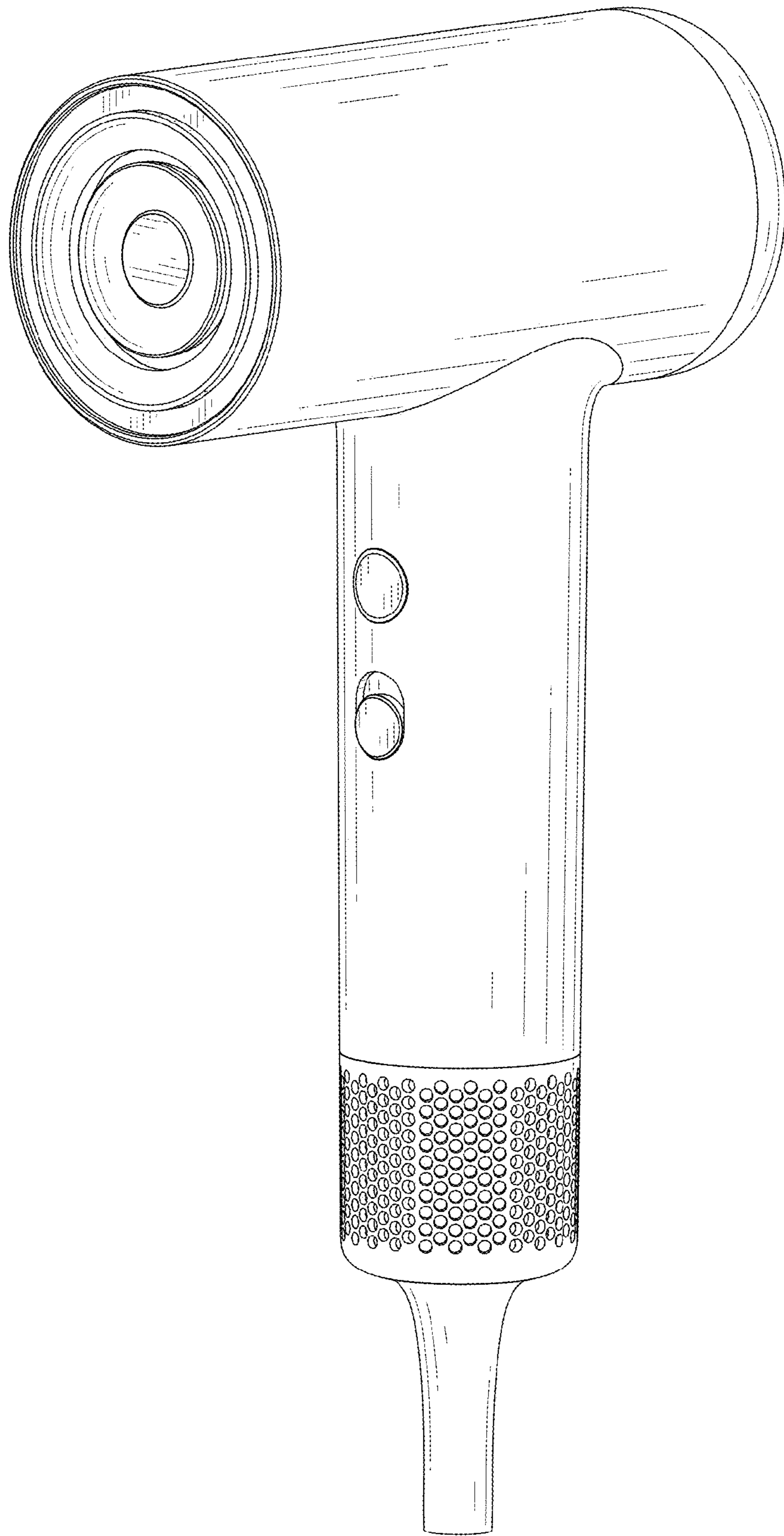


FIG. 1

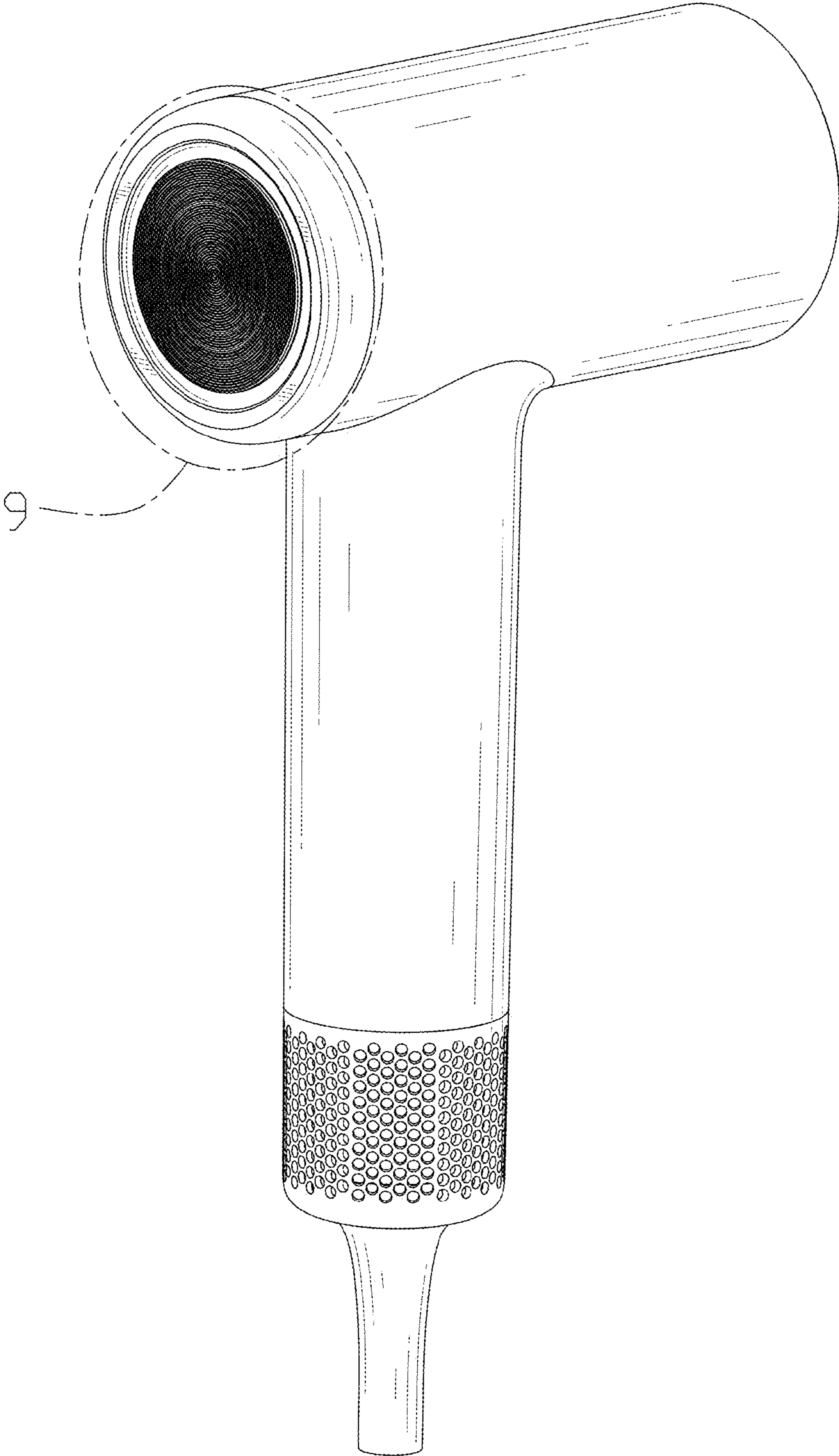


FIG. 2

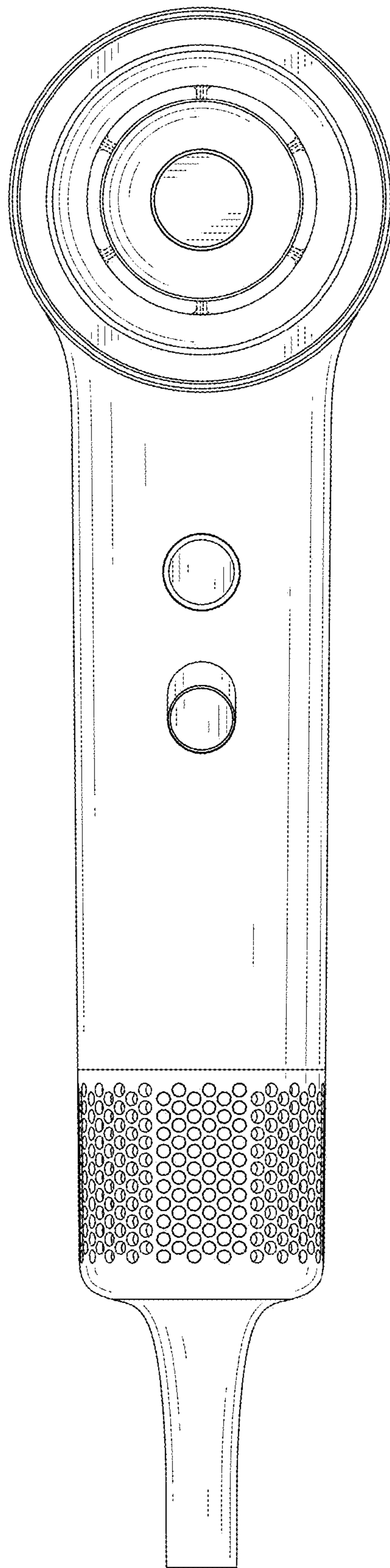


FIG. 3

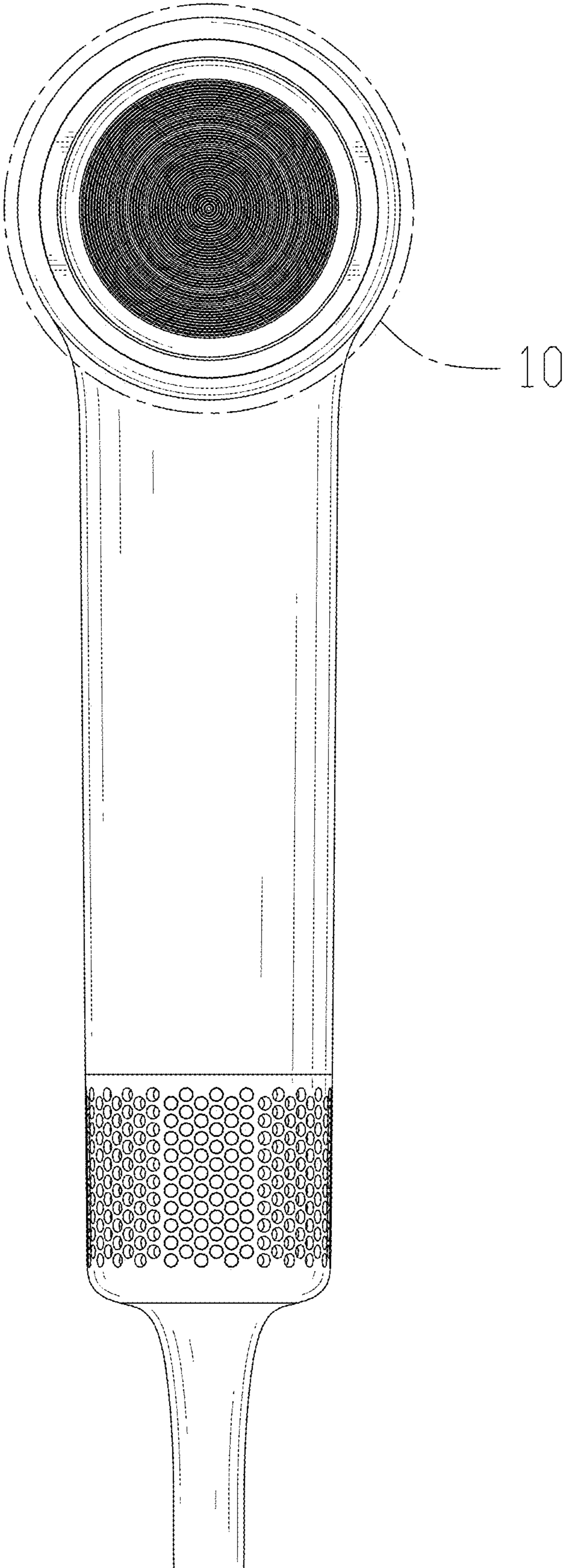


FIG. 4

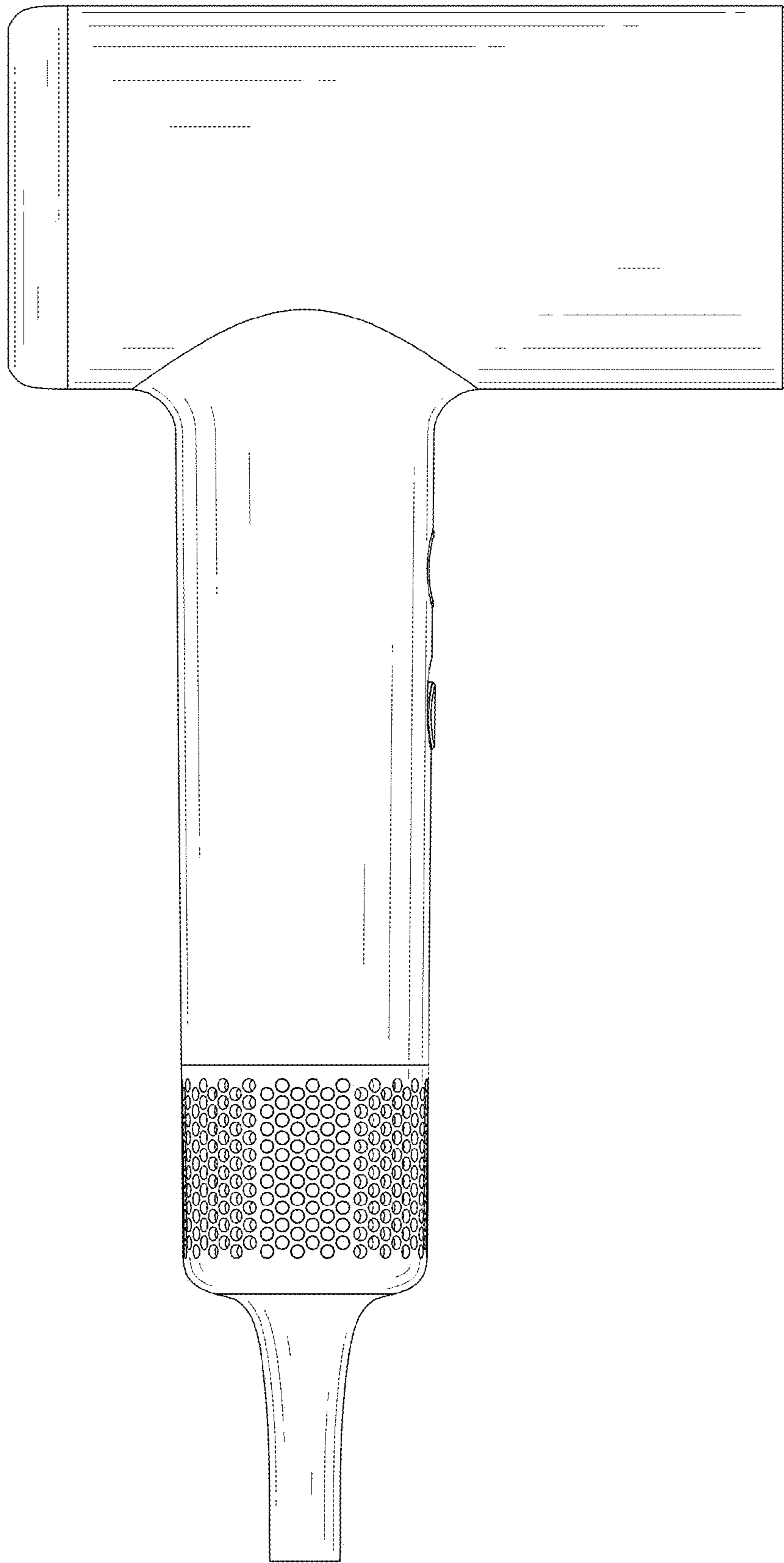


FIG. 5

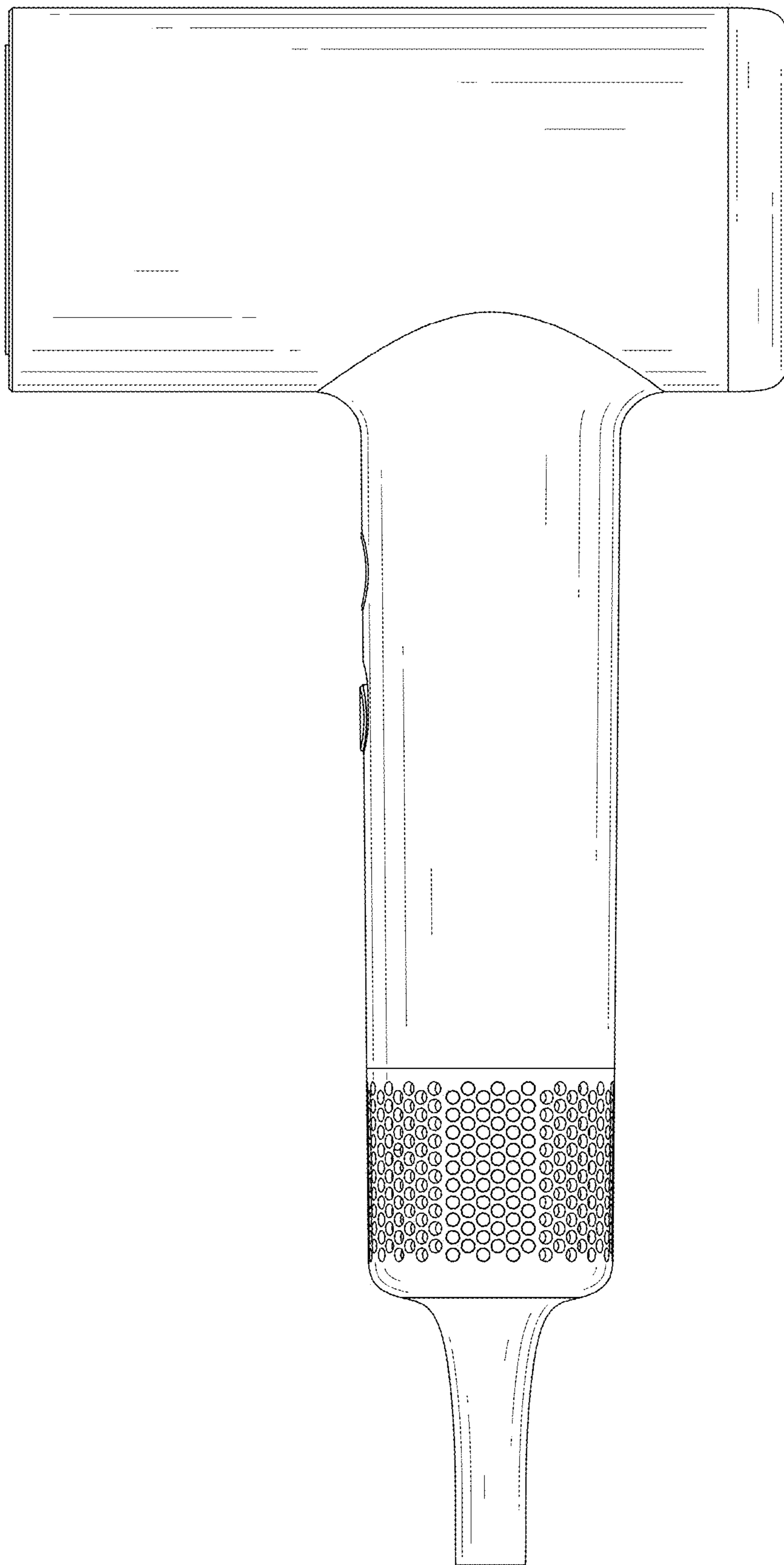


FIG. 6

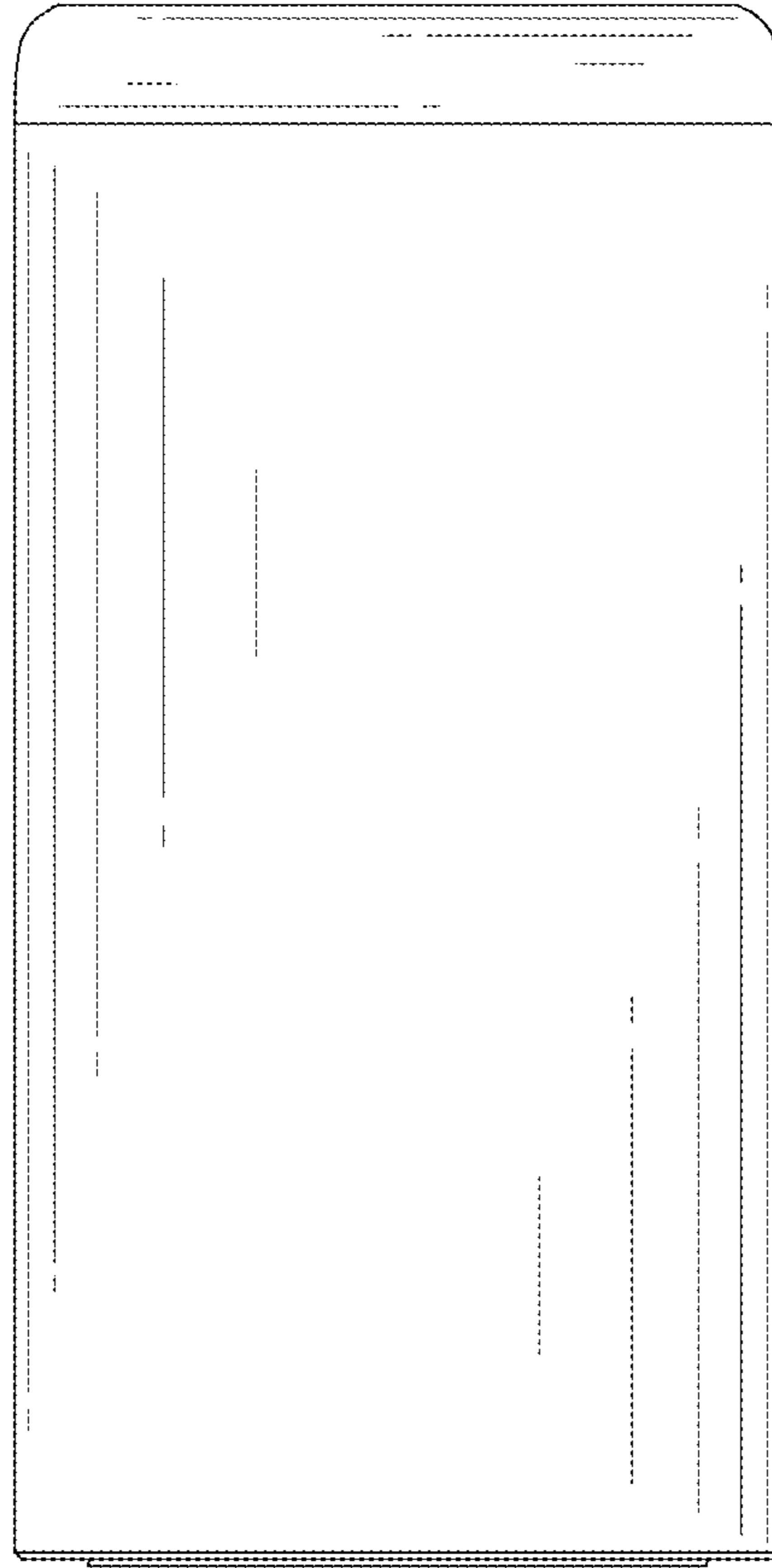


FIG. 7



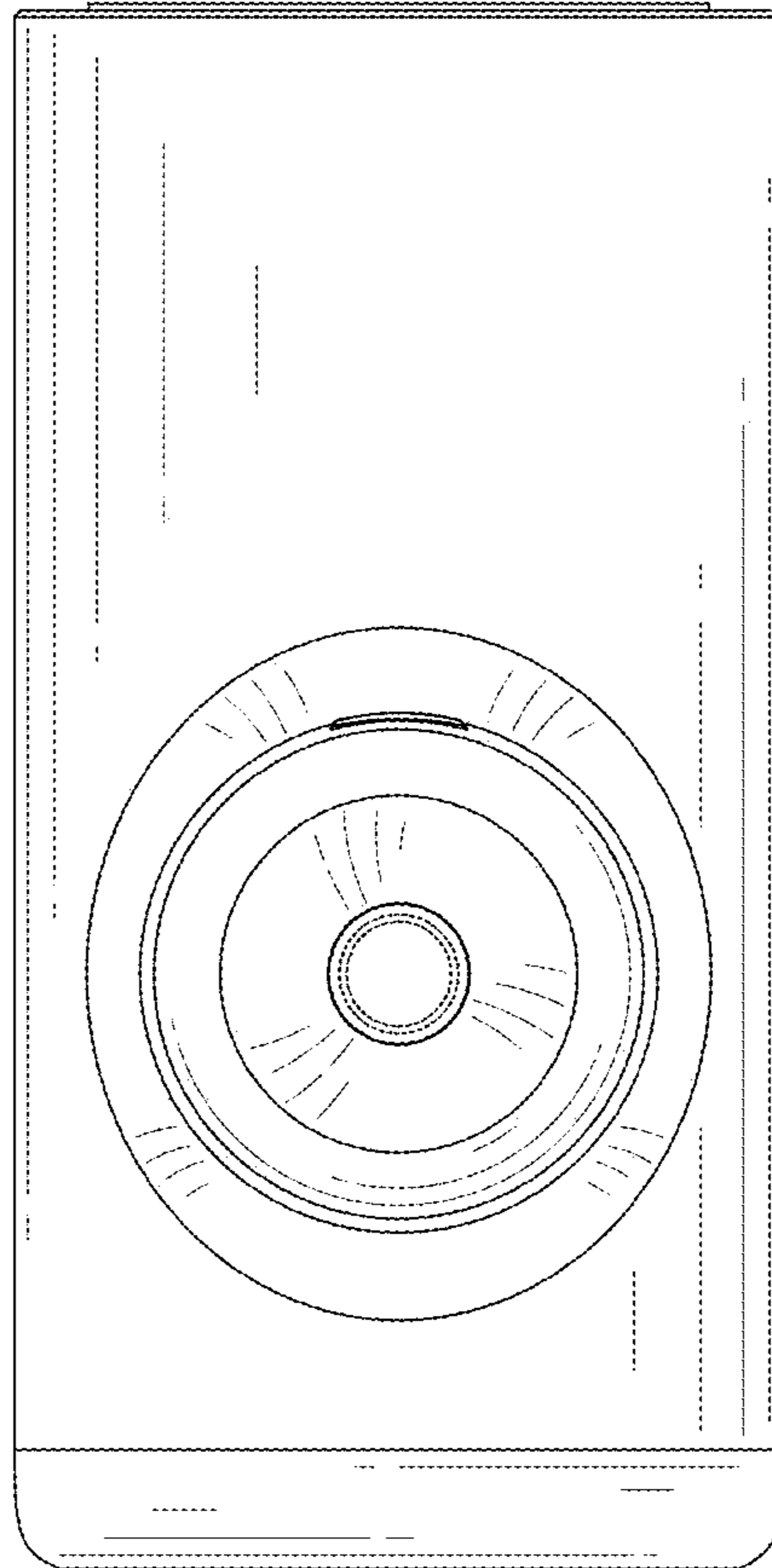


FIG. 8

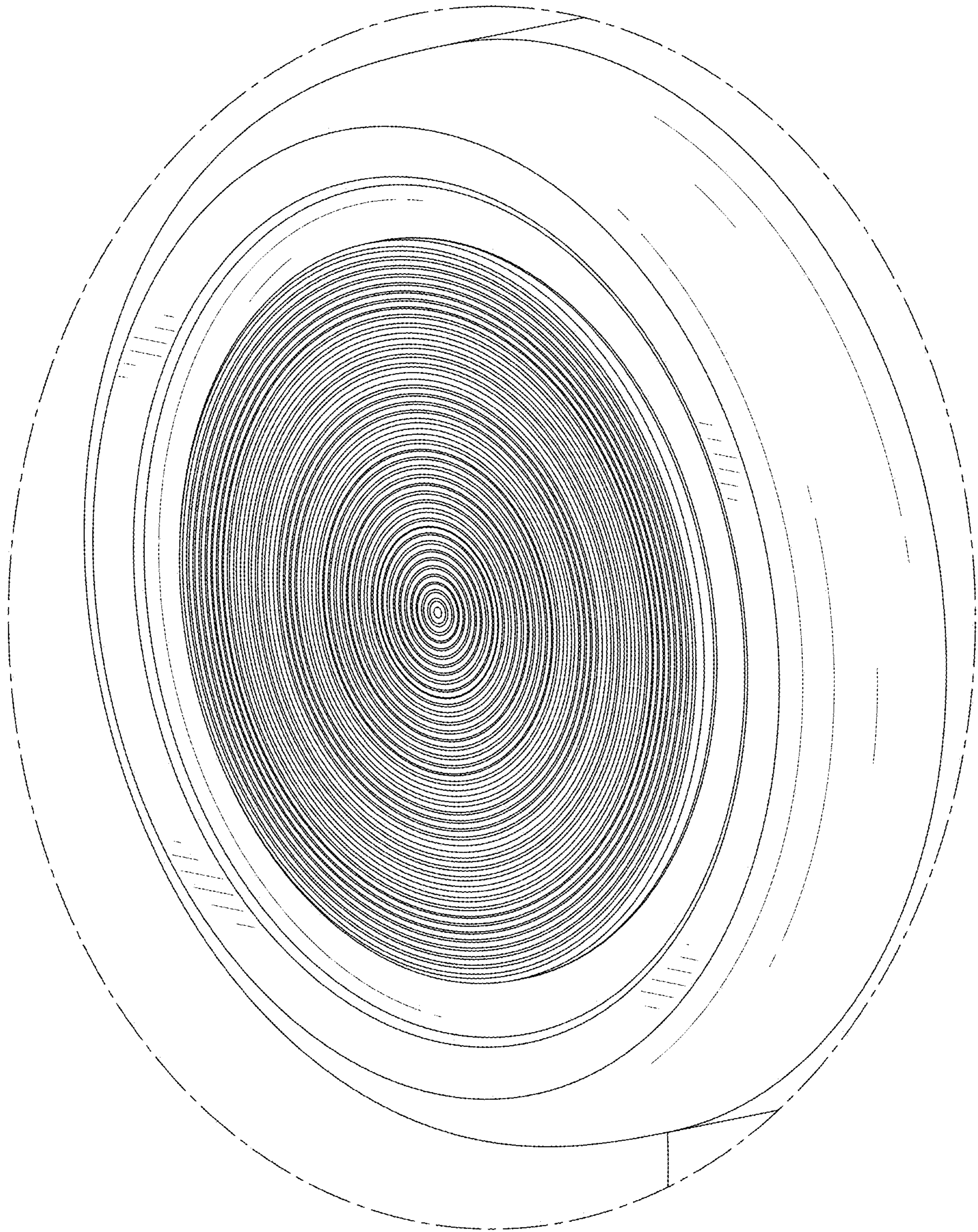


FIG. 9

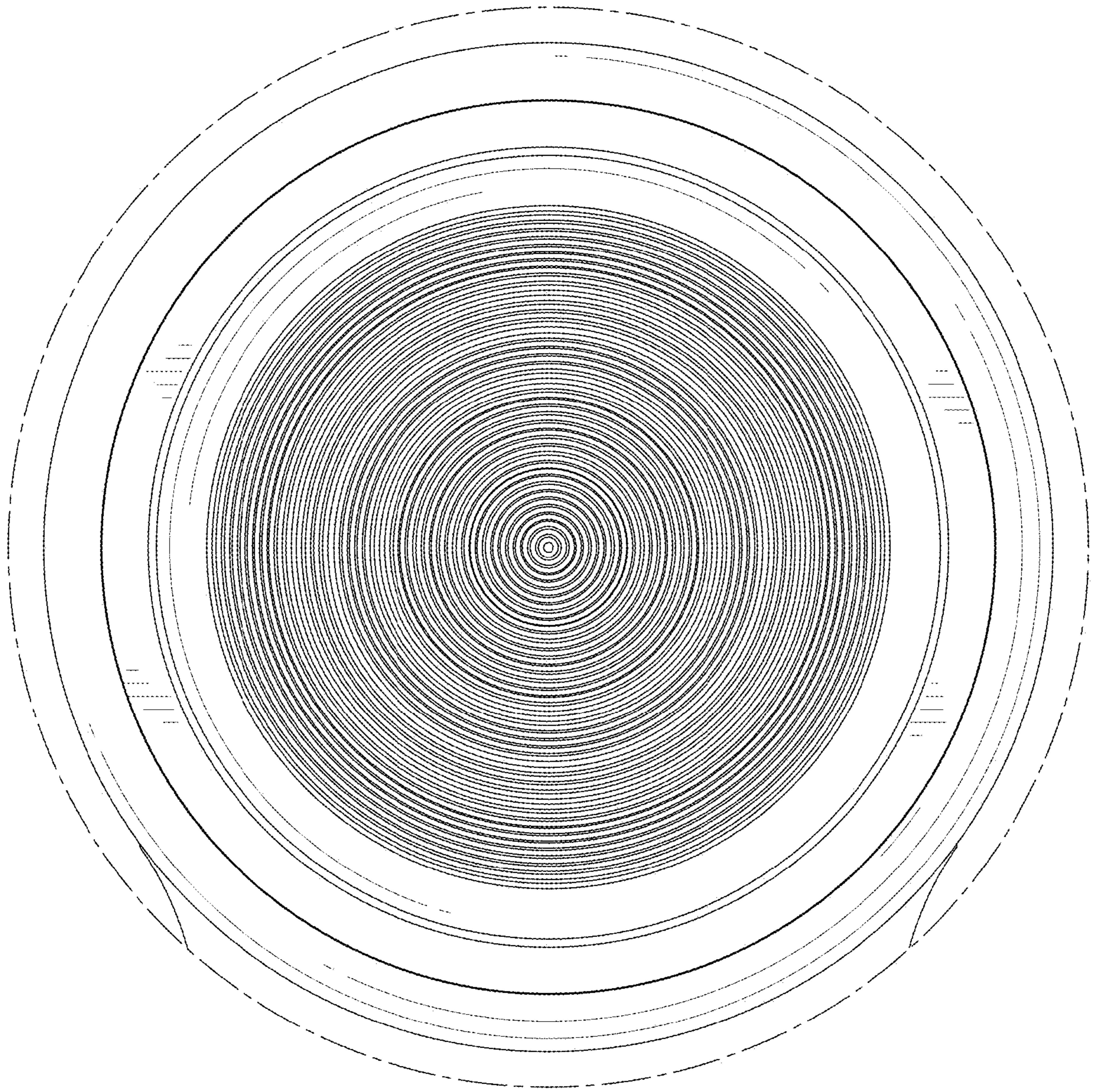


FIG. 10