

US00D926369S

(12) **United States Design Patent** (10) **Patent No.:** **US D926,369 S**
Meng et al. (45) **Date of Patent:** **** Jul. 27, 2021**

(54) **HAIR DRIER**

(56) **References Cited**

(71) Applicant: **SHENZHEN SOOCAS TECHNOLOGY CO., LTD.**,
Guangdong (CN)

(72) Inventors: **Fandi Meng**, Guangdong (CN); **Peng Sun**, Guangdong (CN)

(73) Assignee: **Shenzhen Soocas Technology Co., Ltd.**, Shenzhen (CN)

U.S. PATENT DOCUMENTS

D262,062 S *	11/1981	Nagelkerke	D28/13
D265,767 S *	8/1982	Stewart	D28/13
D425,662 S *	5/2000	Cheung	D28/13
D658,808 S *	5/2012	Begin	D28/13
D858,874 S *	9/2019	Parodi	D28/13
D888,333 S *	6/2020	Shigeru	D28/13

* cited by examiner

Primary Examiner — Zenia I Bennett

(**) Term: **15 Years**

(57) **CLAIM**

The ornamental design for a hair drier, as shown and described.

(21) Appl. No.: **29/725,005**

DESCRIPTION

(22) Filed: **Feb. 21, 2020**

(30) **Foreign Application Priority Data**

Aug. 23, 2019 (CN) 201930460036.1

(51) **LOC (13) Cl.** **28-03**

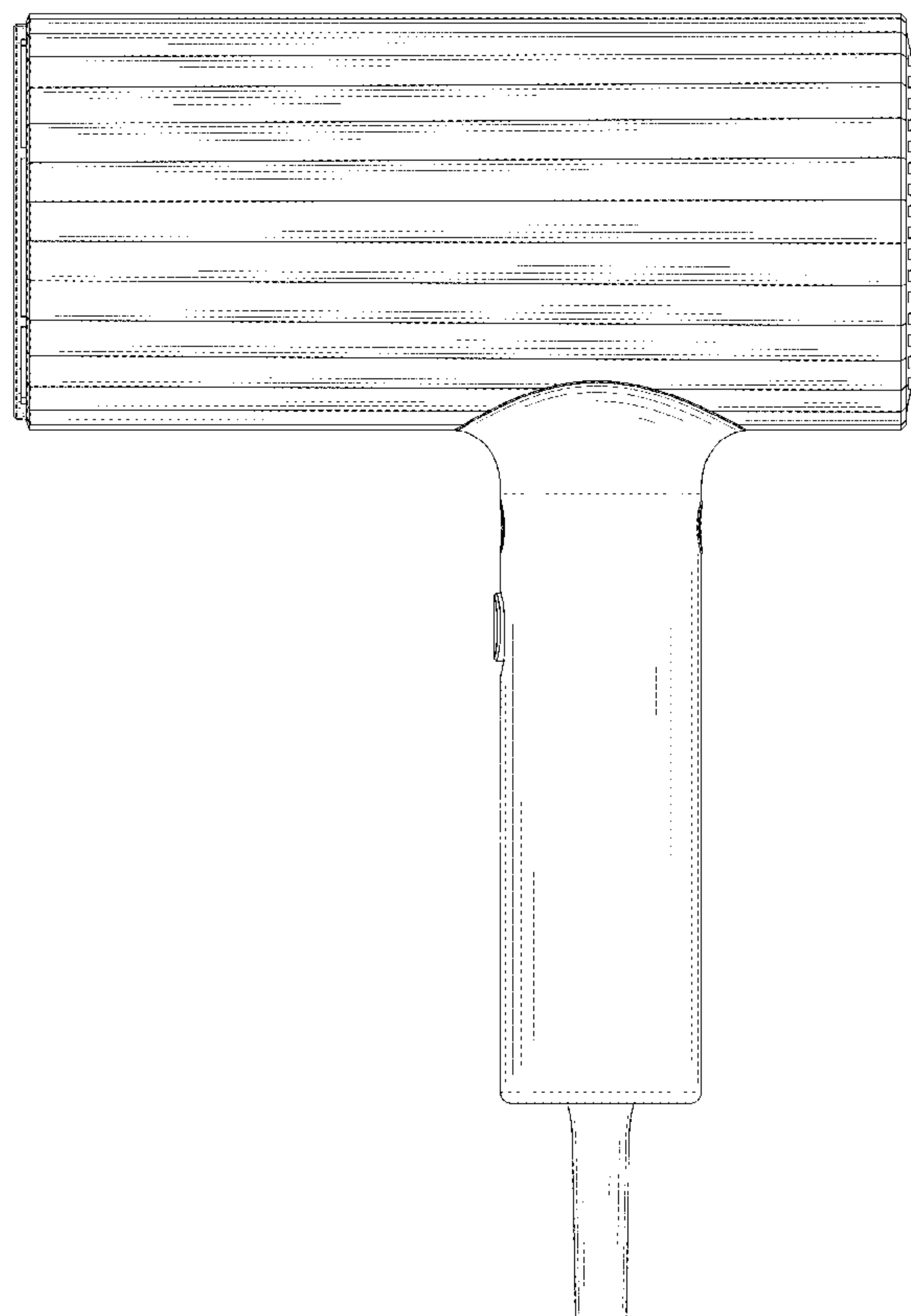
(52) **U.S. Cl.**
USPC **D28/13**

(58) **Field of Classification Search**
 USPC D28/12-19; D8/29.1
 CPC A45D 20/00; A45D 20/08; A45D 20/10;
 A45D 20/12; A45D 20/122; A45D
 20/124; A45D 2020/128

FIG. 1 is a front, top and left side perspective view of a hair drier showing our new design;
 FIG. 2 is a rear, bottom and right side perspective view thereof;
 FIG. 3 is a front elevational view thereof;
 FIG. 4 is a rear elevational view thereof;
 FIG. 5 is a left side view thereof;
 FIG. 6 is a right side view thereof;
 FIG. 7 is a top plan view thereof;
 FIG. 8 is a bottom plan view thereof; and,
 FIG. 9 is an enlarged view of the portion 9 in FIG. 1.
 The broken lines in the drawings illustrate portions of the hair drier which form no part of the claimed design.

See application file for complete search history.

1 Claim, 9 Drawing Sheets



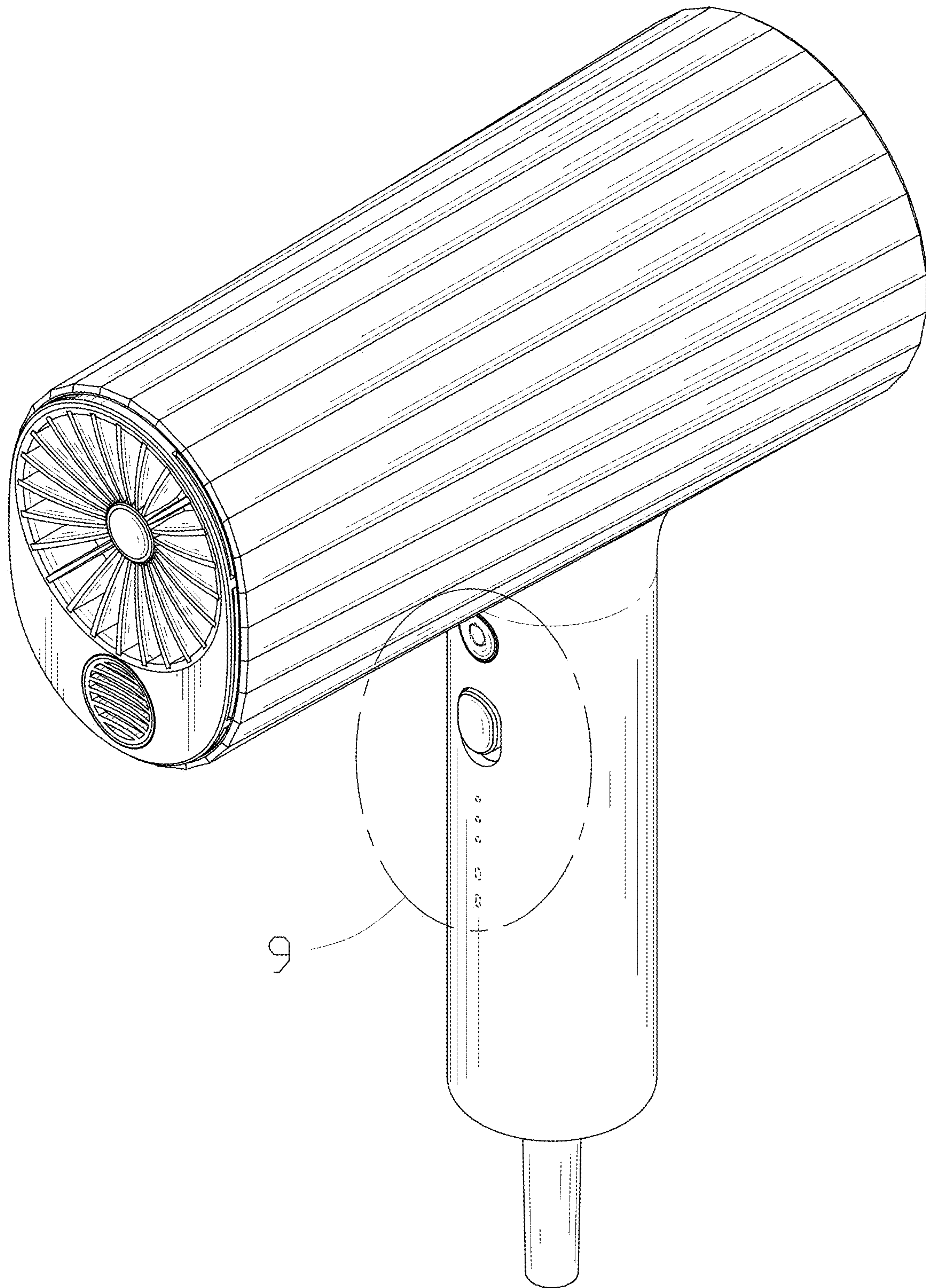


FIG. 1

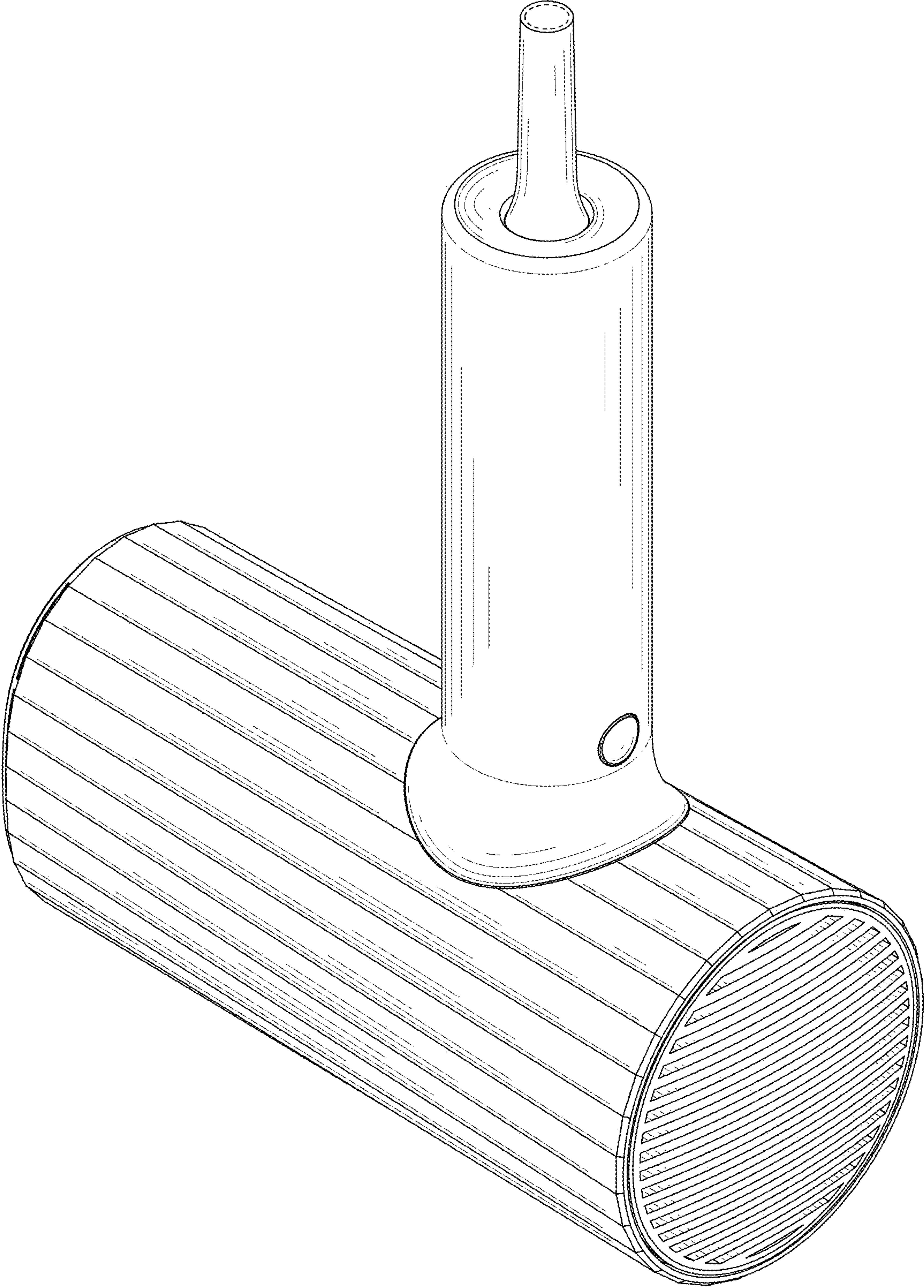


FIG. 2

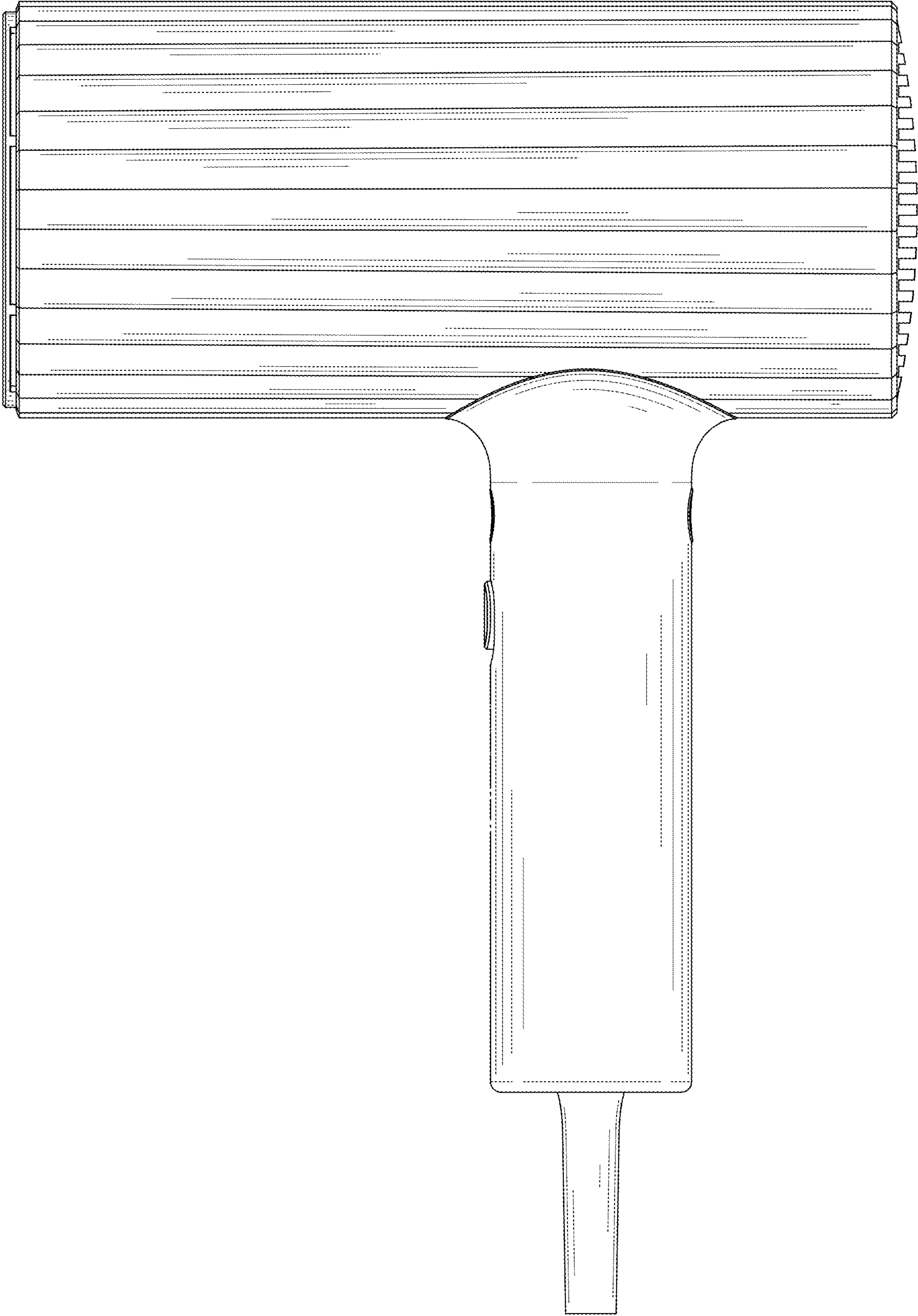


FIG. 3

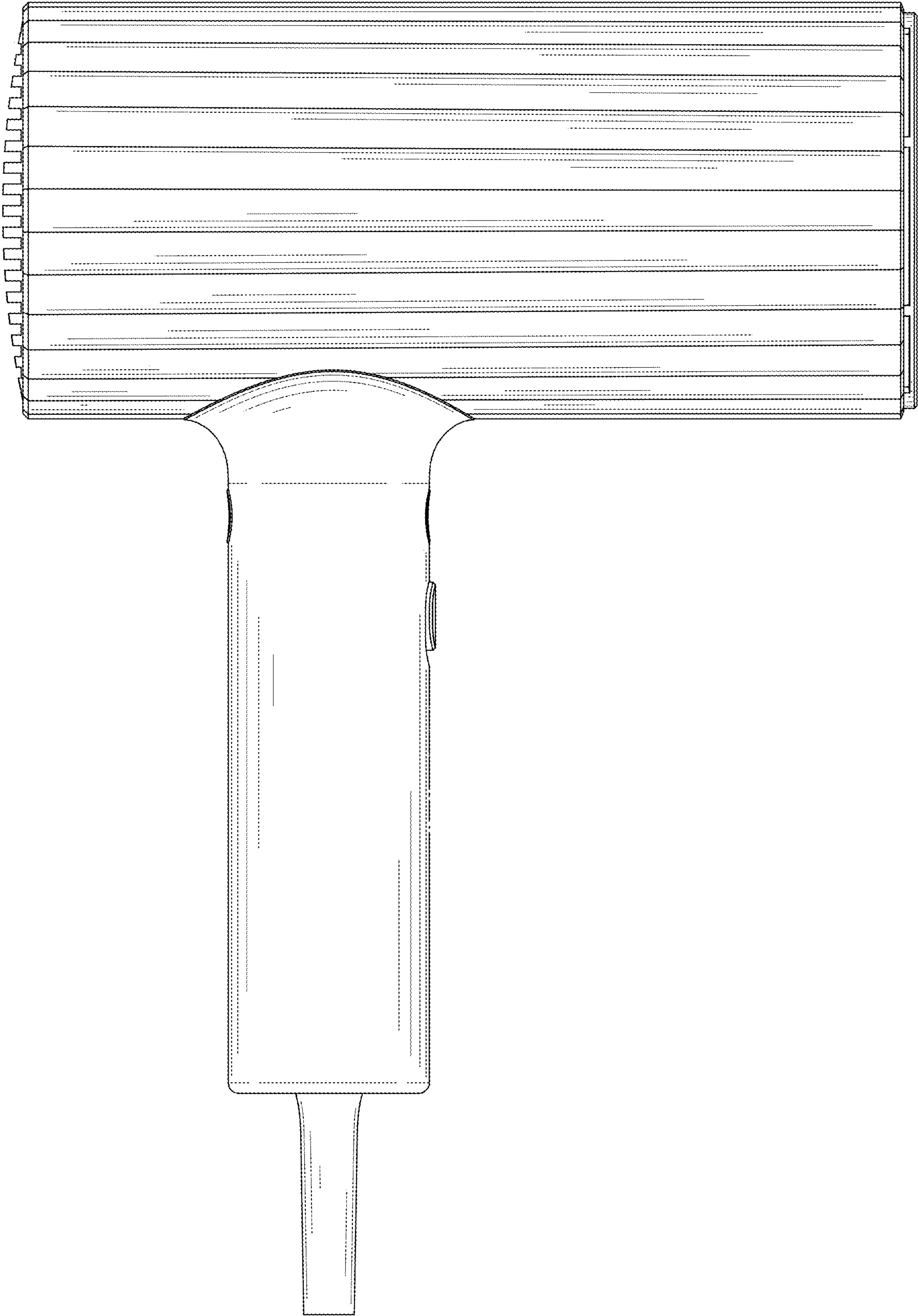


FIG. 4

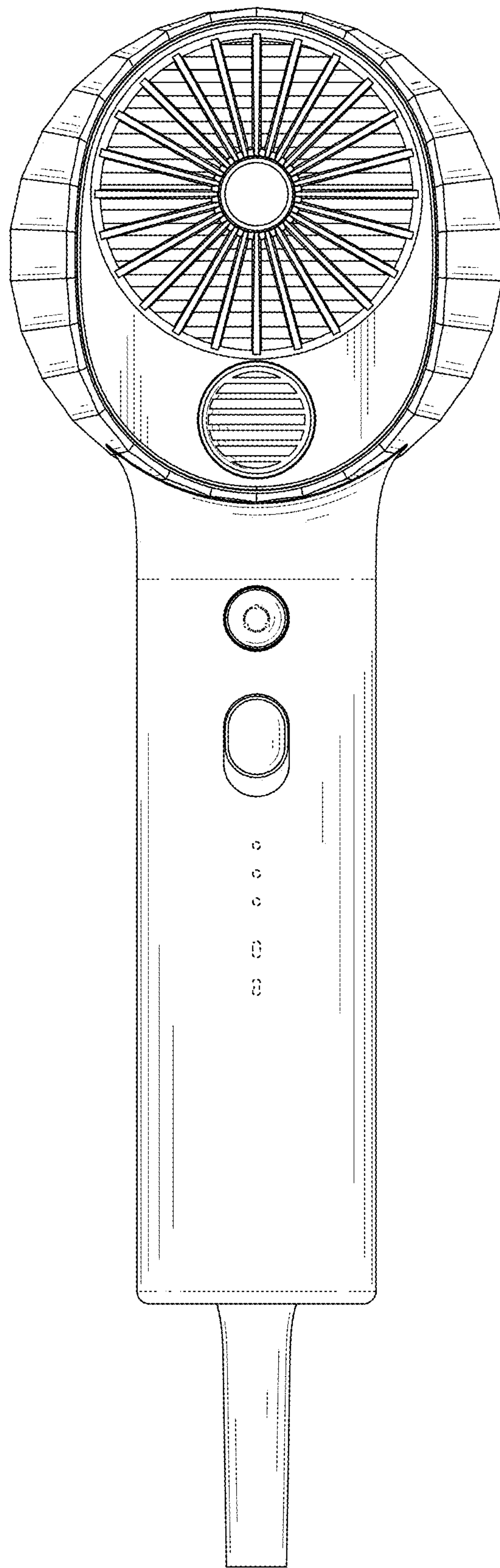


FIG. 5

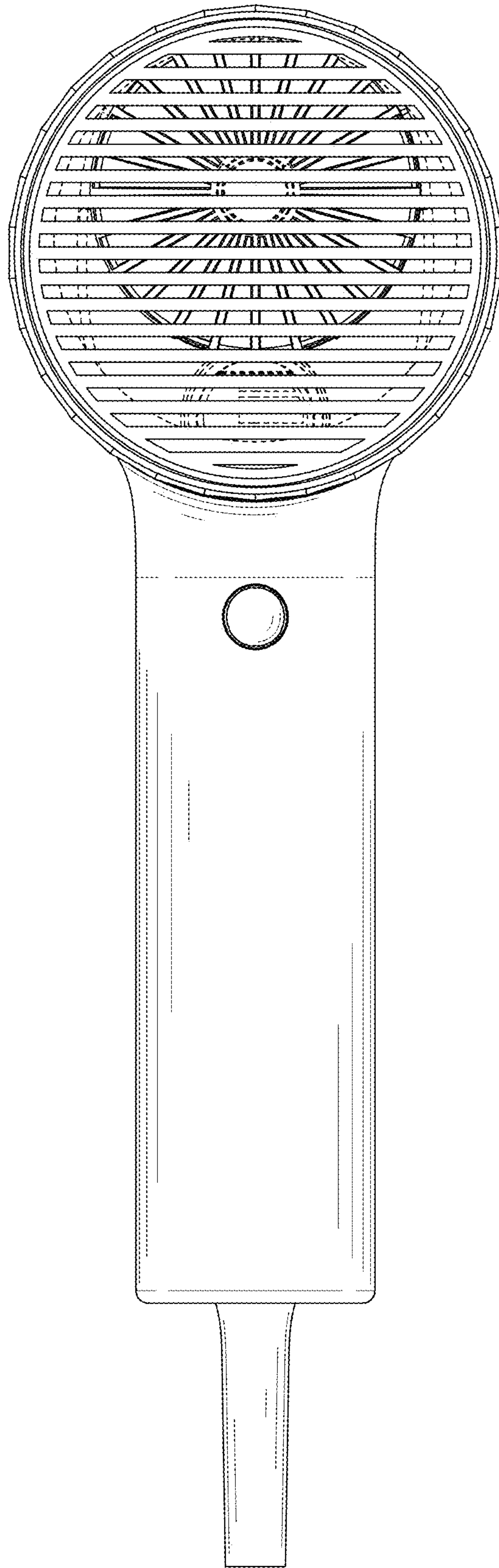


FIG. 6

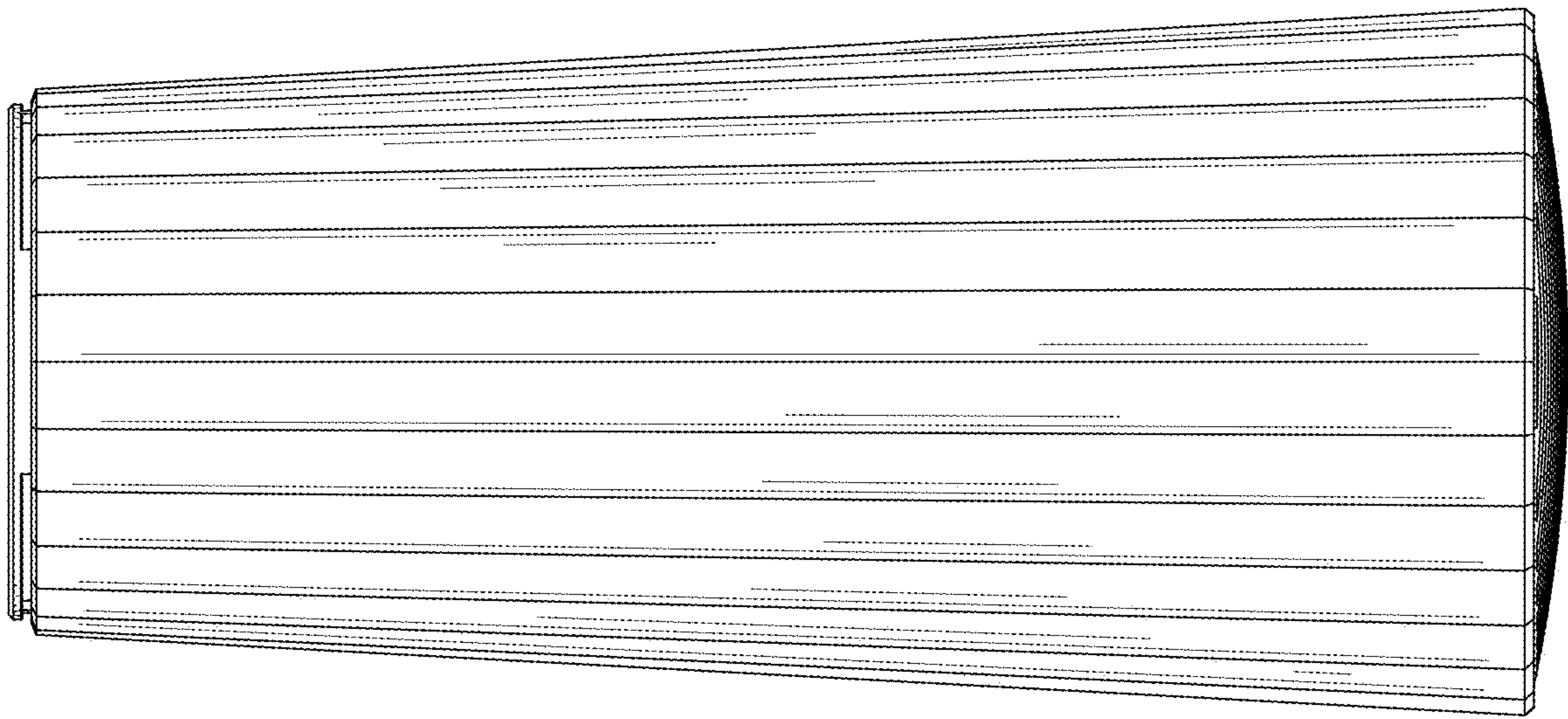


FIG. 7

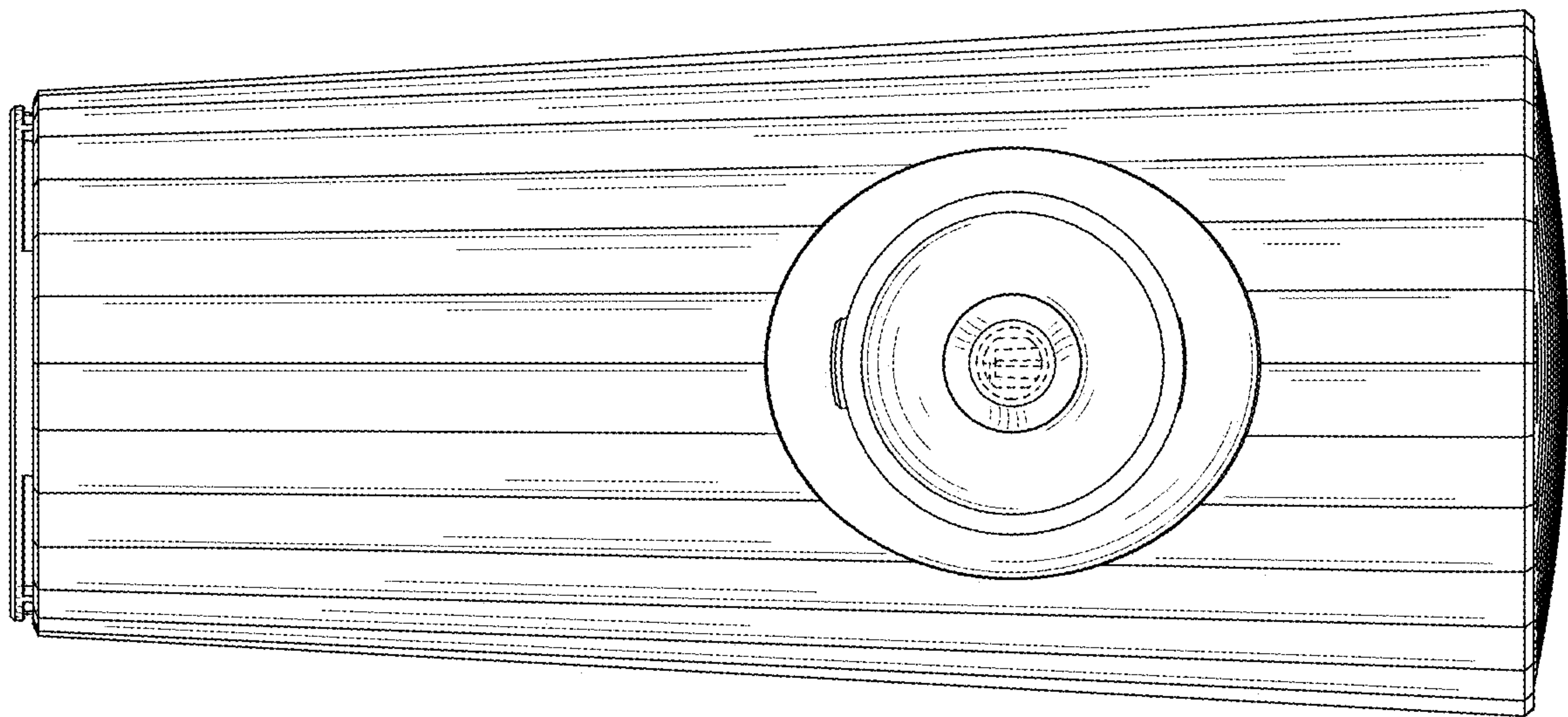


FIG. 8

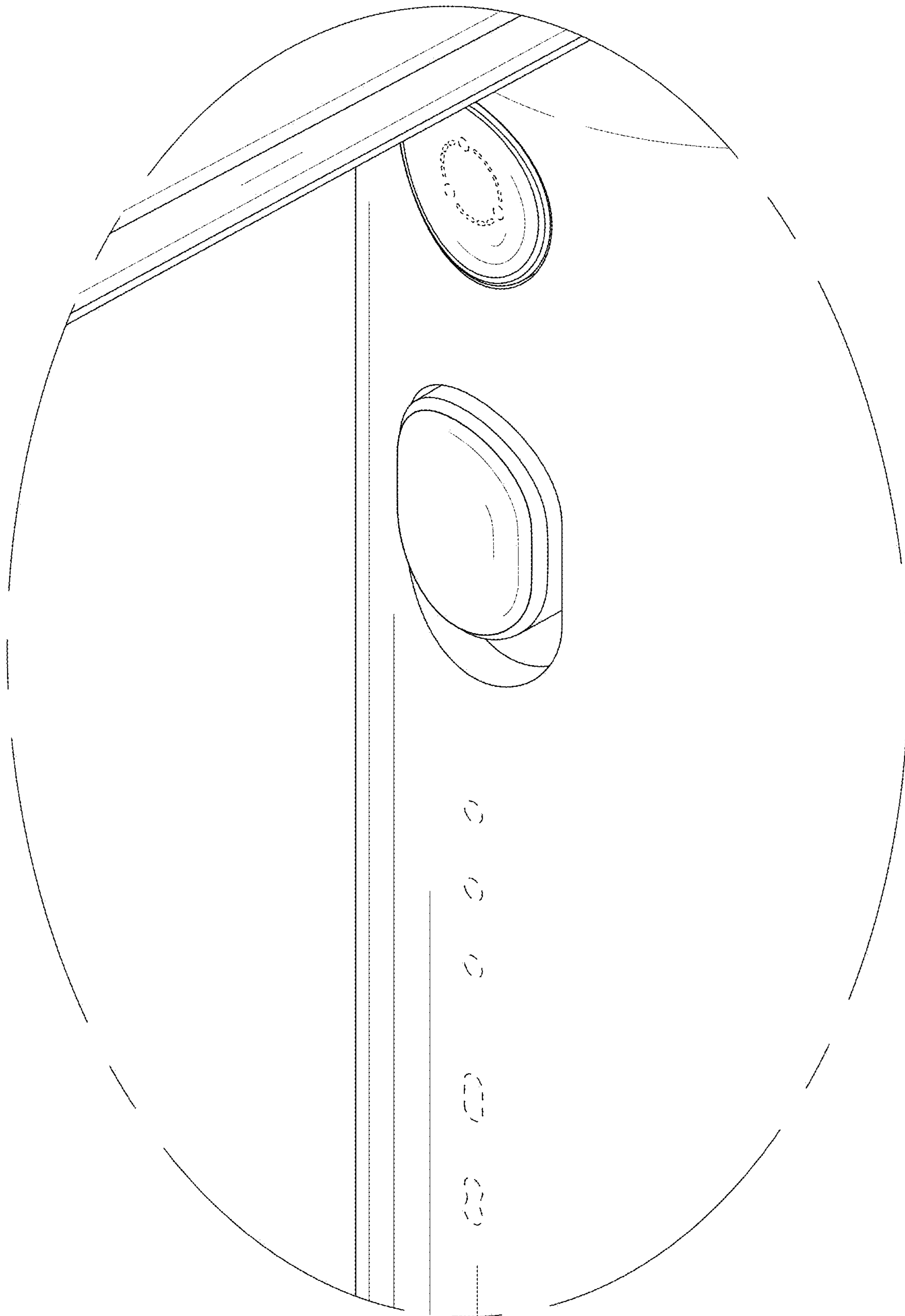


FIG. 9