



US00D926368S

(12) **United States Design Patent** (10) **Patent No.:** **US D926,368 S**  
**Lin** (45) **Date of Patent:** **\*\* Jul. 27, 2021**

(54) **LIP GLOSS APPLICATOR**  
(71) Applicant: **LIBO COSMETICS CO., LTD.**,  
Changhua County (TW)  
(72) Inventor: **Hsiao-Yun Lin**, Changhua County  
(TW)  
(73) Assignee: **LIBO COSMETICS CO., LTD.**,  
Changhua County (TW)

D633,650 S \* 3/2011 Uehara ..... D28/7  
D641,930 S \* 7/2011 Poletto ..... D28/76  
D729,977 S \* 5/2015 Pires ..... D28/7  
D732,734 S \* 6/2015 Poletto ..... D28/7  
D735,406 S \* 7/2015 Poletto ..... D28/7  
D807,580 S \* 1/2018 Nagata ..... D28/7  
D826,472 S \* 8/2018 Pires ..... D28/7  
D826,473 S \* 8/2018 Pires ..... D28/7  
10,575,621 B1 \* 3/2020 Pires ..... A45D 40/265  
2019/0125059 A1 \* 5/2019 Kukreja ..... A45D 40/264  
2019/0365081 A1 \* 12/2019 Tarajano ..... A45D 34/042

(\*\*) Term: **15 Years**

\* cited by examiner

(21) Appl. No.: **29/717,815**

*Primary Examiner* — Zenia I Bennett

(22) Filed: **Dec. 19, 2019**

(74) *Attorney, Agent, or Firm* — Muncy, Geissler, Olds & Lowe, P.C.

(51) **LOC (13) Cl.** ..... **28-03**

(57) **CLAIM**

(52) **U.S. Cl.**  
USPC ..... **D28/7**

The ornamental design for a lip gloss applicator, as shown and described.

(58) **Field of Classification Search**  
USPC ..... D28/7; D32/19  
CPC .. A45D 40/262; A45D 40/265; A45D 40/267;  
A45D 40/28

**DESCRIPTION**

See application file for complete search history.

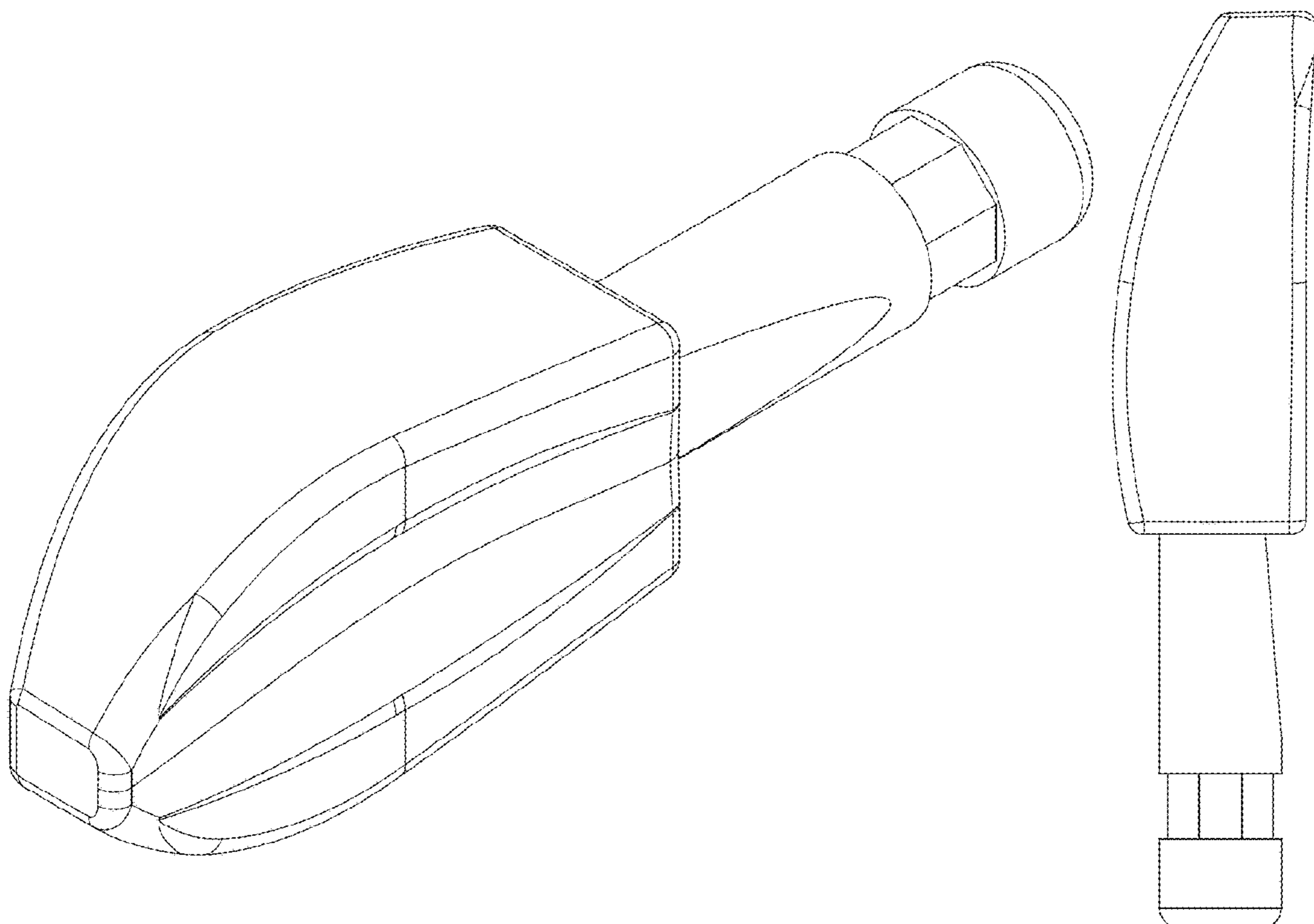
FIG. 1 is a perspective view of a lip gloss applicator showing my new design;  
FIG. 2 is a top plan view thereof;  
FIG. 3 is a bottom plan view thereof;  
FIG. 4 is a right side elevational view thereof;  
FIG. 5 is a left side elevational view thereof;  
FIG. 6 is a front elevational view thereof; and,  
FIG. 7 is a rear elevational view thereof.

(56) **References Cited**

**1 Claim, 7 Drawing Sheets**

**U.S. PATENT DOCUMENTS**

5,881,743 A \* 3/1999 Nadel ..... A45D 40/28  
132/320  
D614,347 S \* 4/2010 Uehara ..... D28/7  
D628,741 S \* 12/2010 Uehara ..... D28/7



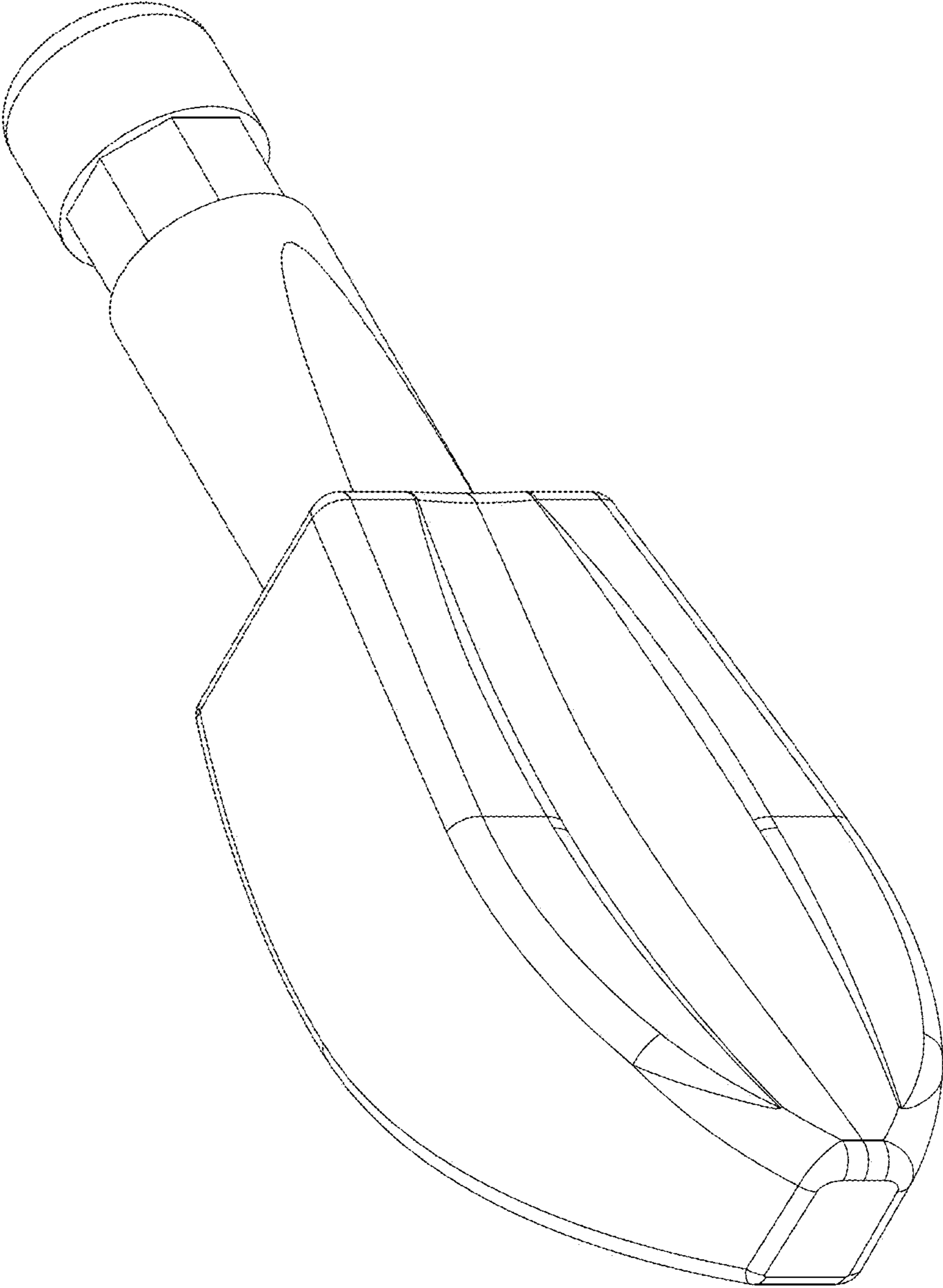


FIG. 1

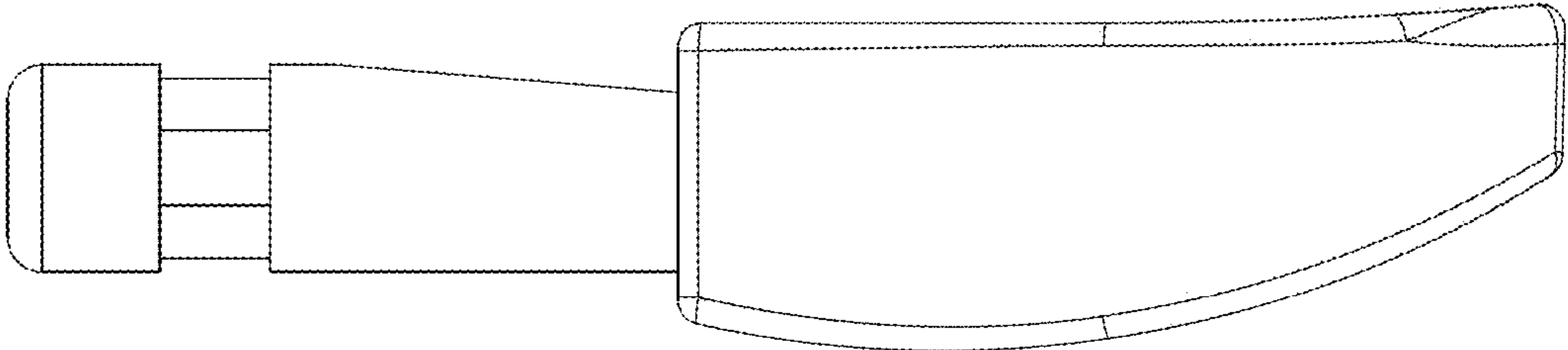


FIG. 2

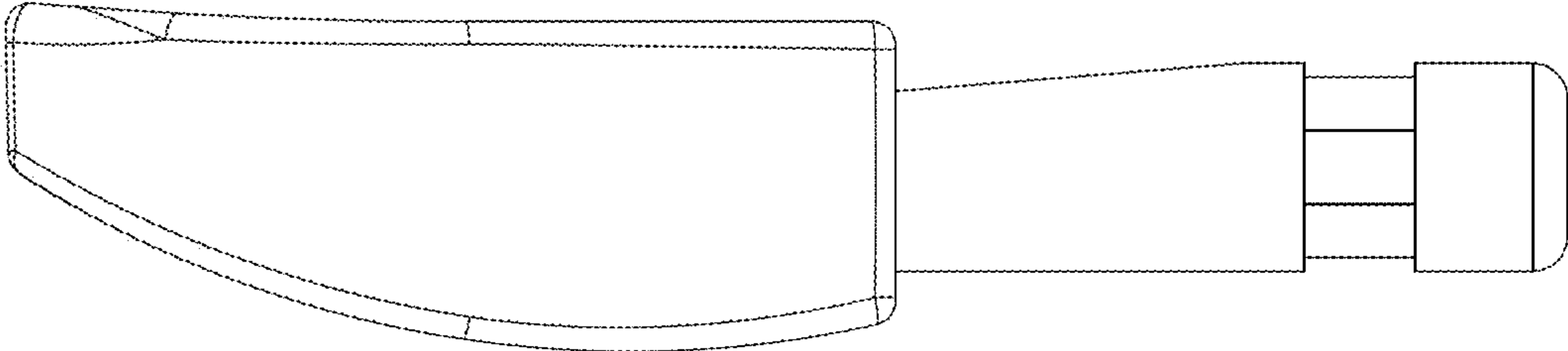


FIG. 3

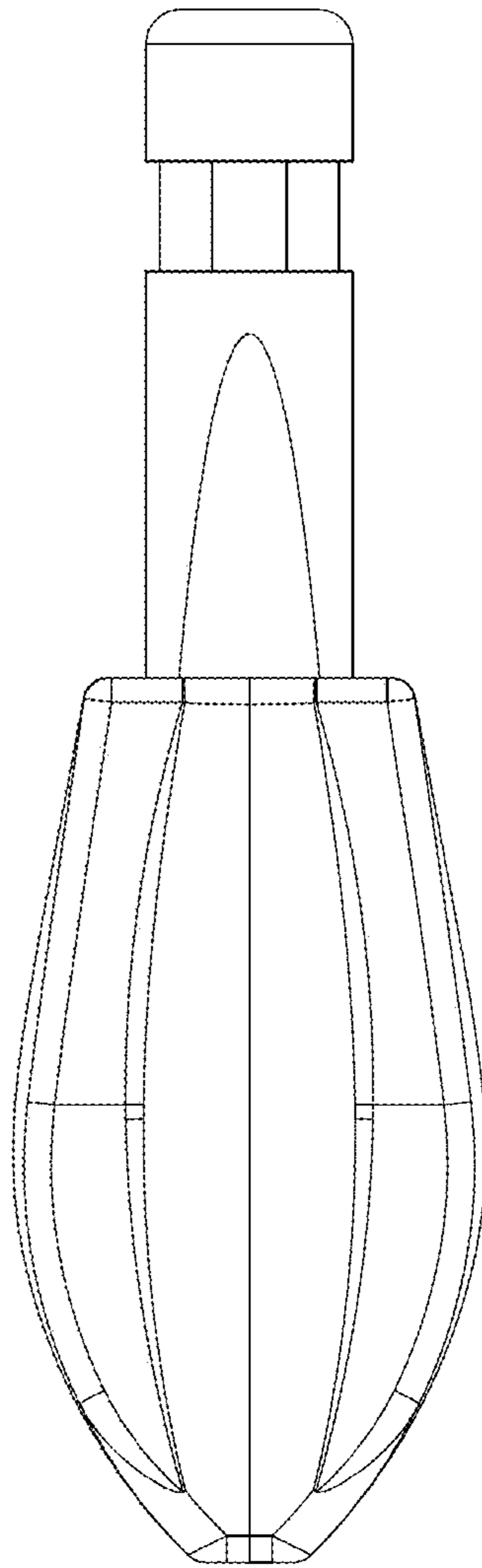


FIG. 4

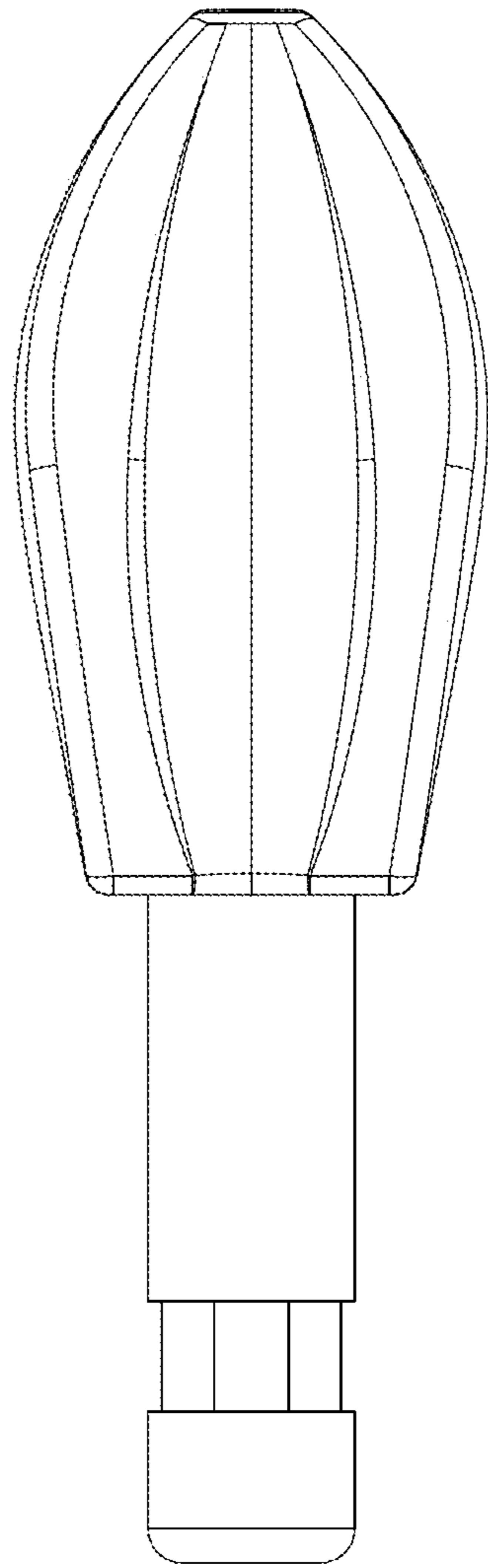


FIG. 5

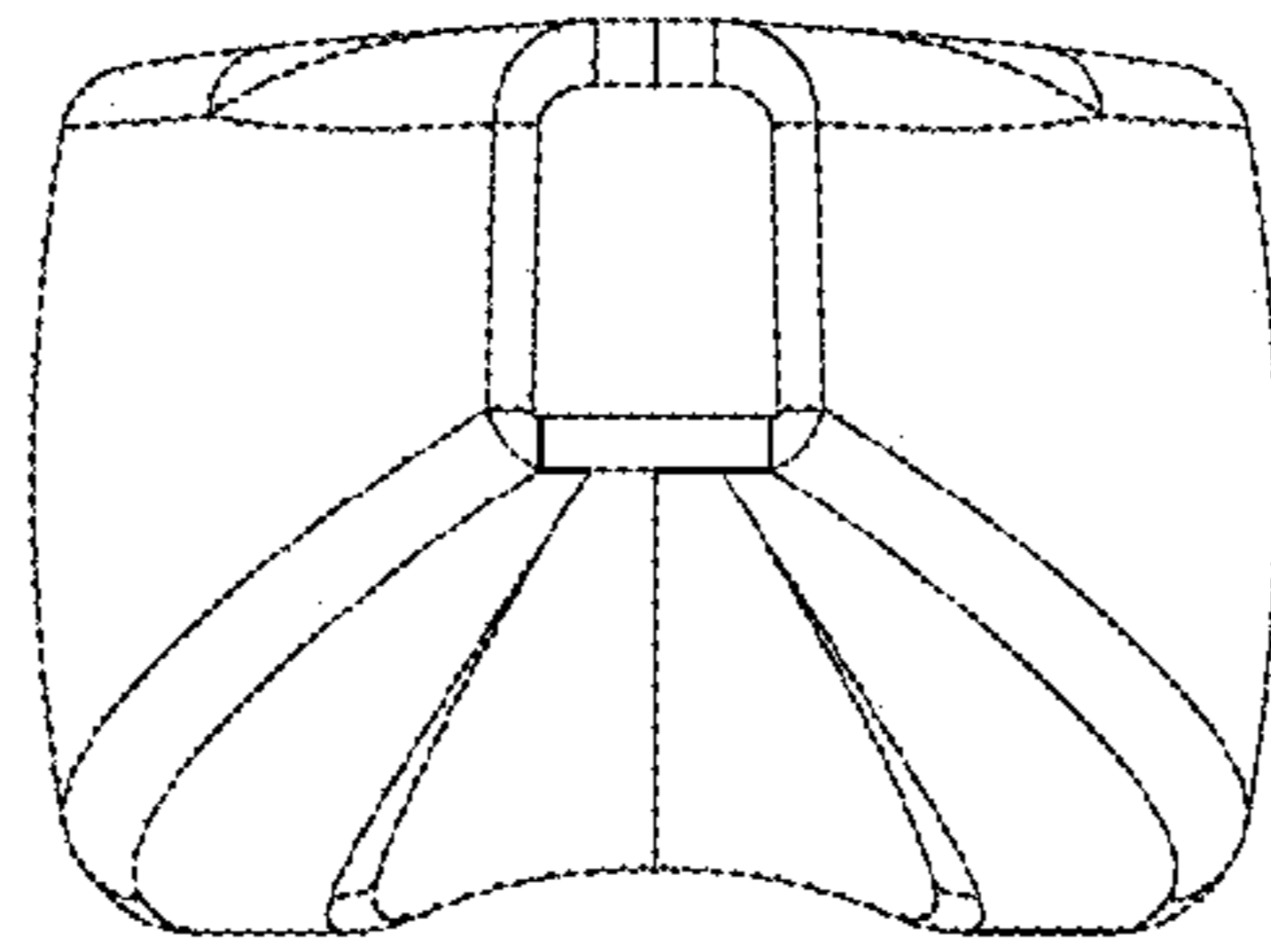


FIG. 6

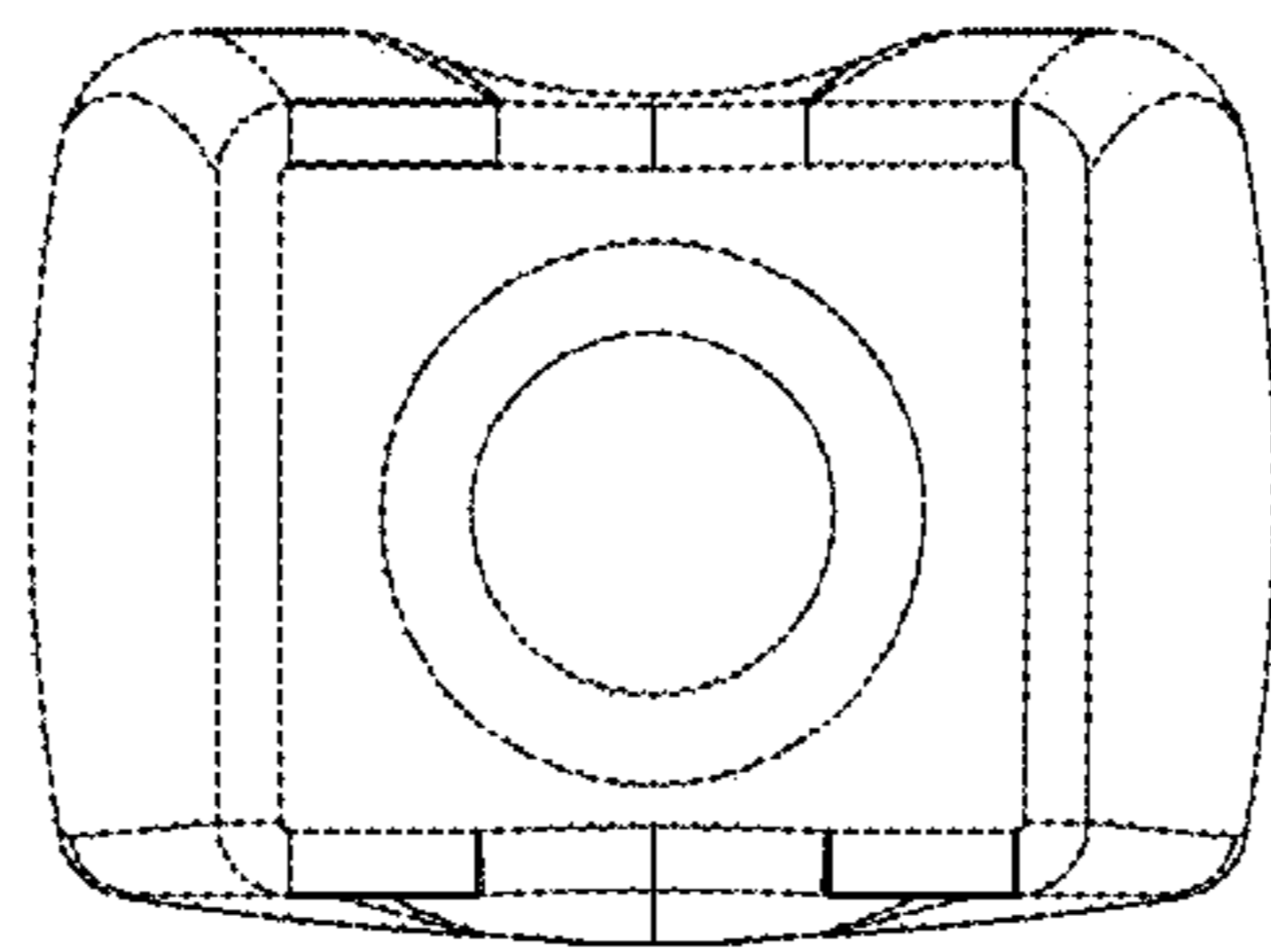


FIG. 7