



US00D926367S

(12) **United States Design Patent** (10) **Patent No.:** **US D926,367 S**
Cruice et al. (45) **Date of Patent:** **** Jul. 27, 2021**

(54) **ACCESSORY FOR AEROSOL GENERATOR**

FOREIGN PATENT DOCUMENTS

(71) Applicant: **Nicoventures Trading Limited**,
London (GB)

AU 95294 S 2/1987
CN 1126425 A 7/1996
(Continued)

(72) Inventors: **Anthony Cruice**, London (GB);
Ainsley Cox, London (GB)

OTHER PUBLICATIONS

(73) Assignee: **NICOVENTURES TRADING LIMITED**, London (GB)

U.S. Appl. No. 29/676,726, filed Jan. 14, 2019, 233 pages, inventor(s): Powell et al.
(Continued)

(**) Term: **15 Years**

(21) Appl. No.: **29/722,529**

Primary Examiner — Marissa J Cash
Assistant Examiner — Rebecca Tsehaye
(74) *Attorney, Agent, or Firm* — Patterson Thuente Pedersen, P.A.

(22) Filed: **Jan. 30, 2020**

(51) **LOC (13) Cl.** **27-02**

(57) **CLAIM**

(52) **U.S. Cl.**
USPC **D27/194**

We claim the ornamental design for an accessory for aerosol generator, as shown and described.

(58) **Field of Classification Search**
USPC D27/162, 100, 101, 163–165, 172, 183,
D27/185–192, 194; D24/110, 110.5
CPC A24F 9/00; A24F 47/002; A24F 47/004;
A24F 47/006; A24F 47/008; A61M 15/06
See application file for complete search history.

DESCRIPTION

(56) **References Cited**

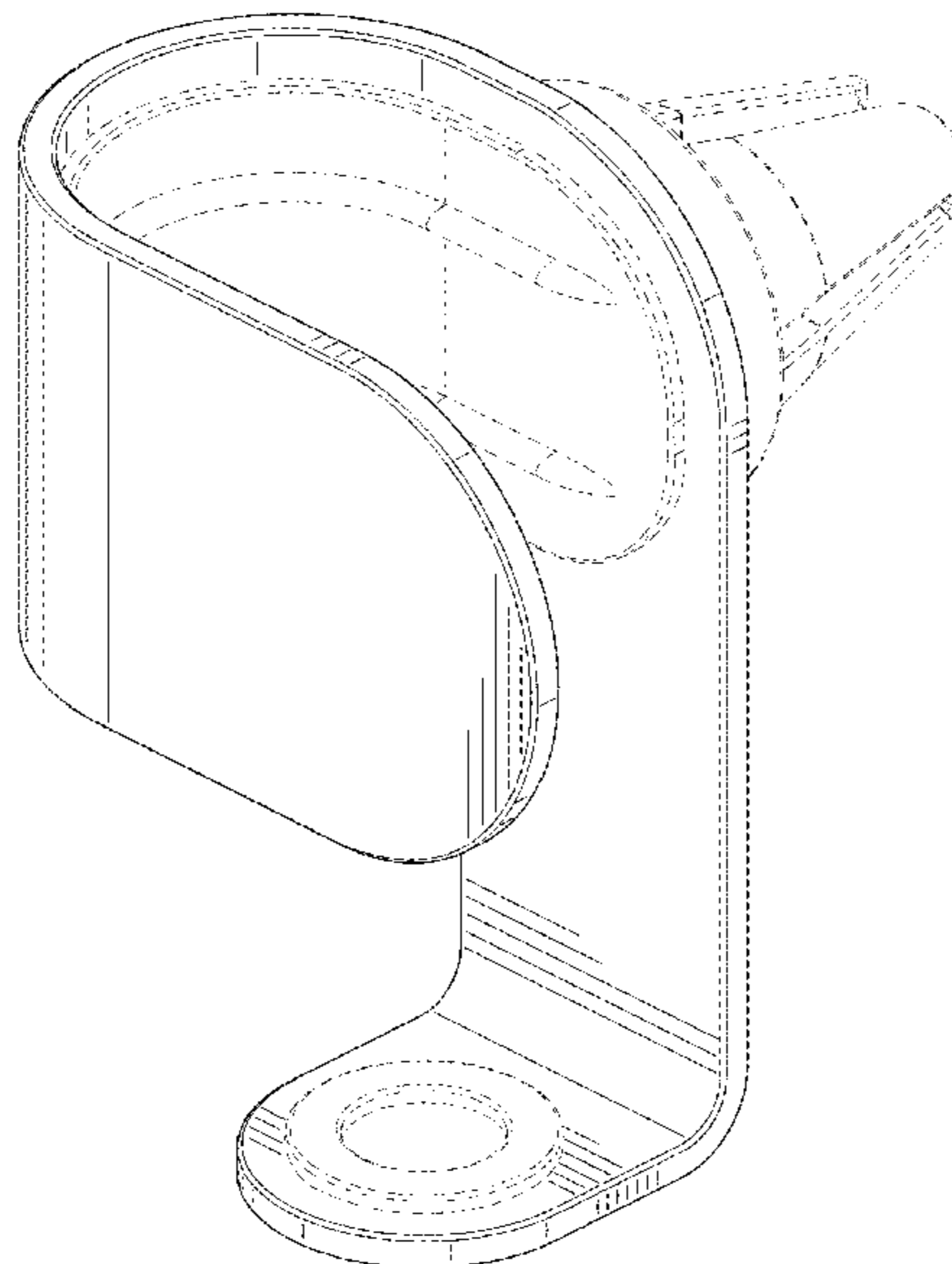
U.S. PATENT DOCUMENTS

174,884 A 3/1876 Wolff
239,198 A 3/1881 Simonds
239,776 A 4/1881 Henley
D22,270 S 3/1893 Marshall
D27,458 S 8/1897 Alexander
1,927,956 A 9/1933 Samuel et al.
2,371,557 A 3/1945 Sullivan
D239,776 S 5/1976 Kenjiro
4,214,658 A 7/1980 Crow
D284,506 S 7/1986 Gutknecht
D303,766 S 10/1989 Delbanco
5,144,962 A 9/1992 Counts et al.

FIG. 1 is a top front perspective view of an accessory for aerosol generator.
FIG. 2 is a front elevational view of the accessory for aerosol generator depicted in FIG. 1.
FIG. 3 is a rear elevational view of the accessory for aerosol generator depicted in FIG. 1.
FIG. 4 is a right side elevational view of the accessory for aerosol generator depicted in FIG. 1.
FIG. 5 is a left side elevational view of the accessory for aerosol generator depicted in FIG. 1.
FIG. 6 is a top plan view of the accessory for aerosol generator depicted in FIG. 1; and,
FIG. 7 is a bottom plan view of the accessory for aerosol generator depicted in FIG. 1.
The broken lines in the drawings illustrate portions of the accessory for aerosol generator that form no part of the claimed design.

(Continued)

1 Claim, 7 Drawing Sheets



(56)

References Cited

U.S. PATENT DOCUMENTS

D360,281 S	7/1995	Kim		D829,981 S	10/2018	Chen et al.	
5,564,442 A	10/1996	MacDonald et al.		D833,384 S	11/2018	Takayanagi	
5,665,262 A	9/1997	Hajaligol et al.		1,013,667 A1	11/2018	Shotey et al.	
5,878,752 A	3/1999	Adams et al.		D835,857 S	12/2018	Benacquisto et al.	
D422,113 S	3/2000	Higgins et al.		D839,823 S	2/2019	Lemelson et al.	
D424,236 S	5/2000	Reed		D842,237 S	3/2019	Qiu et al.	
D437,112 S	2/2001	Toffoli		D842,243 S	3/2019	Qiu	
D446,849 S	8/2001	Weinberg		D843,052 S	3/2019	Powell et al.	
D506,001 S	6/2005	Christianson		D848,603 S	5/2019	Fujino et al.	
D512,493 S	12/2005	Haranaka		D854,236 S	7/2019	Qiu	
D538,222 S	3/2007	Curello et al.		D858,170 S	9/2019	Chan	
D558,330 S	12/2007	Chang		D861,549 S	10/2019	Lai	
D576,718 S	9/2008	Nomi et al.		D862,794 S	10/2019	Wolk	D27/187
D620,817 S	8/2010	Eide et al.		D866,853 S	11/2019	Hoashi	D27/101
D630,592 S	1/2011	Matsuoka		D869,086 S	12/2019	Pan	
D634,417 S *	3/2011	Abbondanzio	D23/366	D870,367 S	12/2019	Chung et al.	
D634,832 S	3/2011	Abbondanzio et al.		D872,355 S *	1/2020	Powell	D27/141
D641,196 S	7/2011	Gaydon		D872,932 S	1/2020	Powell et al.	
D643,732 S	8/2011	Cummings et al.		D876,214 S	2/2020	Yu	
7,988,660 B2	8/2011	Byland et al.		D878,672 S *	3/2020	Beer	D27/162
D645,757 S	9/2011	Milhem et al.		D878,918 S	3/2020	Furner et al.	
D650,472 S	12/2011	Petersen		D881,458 S	4/2020	Ouyang	
D654,160 S	2/2012	Yomtov		D883,197 S	5/2020	Doucet	
D663,891 S	7/2012	Cohen Harel		D883,563 S	5/2020	Pan	
D664,709 S	7/2012	Almsberger et al.		D884,266 S	5/2020	Wang	
D665,734 S	8/2012	Fitch et al.		D885,332 S	5/2020	Han	
D674,479 S	1/2013	Merchant et al.		D885,337 S	5/2020	Xu	
D677,623 S	3/2013	Fitch et al.		D885,651 S	5/2020	Miyamoto	
D677,774 S	3/2013	Postma		D888,326 S	6/2020	Qiu	
8,528,780 B2	9/2013	Houghton et al.		D888,329 S	6/2020	Qiu	
D695,396 S	12/2013	Tani et al.		D889,740 S	7/2020	Beer et al.	
D696,815 S	12/2013	Abroff		D891,692 S	7/2020	Barbaric et al.	
D700,397 S	2/2014	Manca et al.		D892,124 S	8/2020	Shim	
D704,319 S	5/2014	Cai		D893,009 S	8/2020	Choi	
D708,129 S	7/2014	Houghton et al.		D894,476 S	8/2020	Miyamoto	
D708,727 S	7/2014	Postma		D897,596 S	9/2020	Huang et al.	
D714,647 S	10/2014	Kersten		D898,280 S	10/2020	Li et al.	
D715,760 S	10/2014	Kim et al.		D898,990 S	10/2020	Liu et al.	
D716,267 S	10/2014	Kim et al.		D898,991 S	10/2020	Pan	
D728,855 S	5/2015	Liu		D901,762 S *	11/2020	Guo	D27/162
D729,366 S *	5/2015	Kauss	D23/360	2004/0025865 A1	2/2004	Nichols et al.	
D729,440 S	5/2015	Liu		2005/0199610 A1	9/2005	Ptasienski et al.	
D729,445 S	5/2015	Leidel		2007/0074734 A1	4/2007	Braunshteyn et al.	
D736,455 S	8/2015	Liu		2007/0283972 A1	12/2007	Monsees et al.	
D740,673 S	10/2015	Corradini et al.		2009/0114737 A1	5/2009	Yu et al.	
D743,099 S	11/2015	Oglesby		2010/0236561 A1	9/2010	Barnes et al.	
D743,889 S	11/2015	Lyles et al.		2011/0108025 A1	5/2011	Fink et al.	
D745,404 S	12/2015	Julier et al.		2011/0240047 A1	10/2011	Adamic	
D746,771 S	1/2016	Perez		2011/0290244 A1	12/2011	Schennum	
D748,325 S	1/2016	Leidel		2013/0042865 A1	2/2013	Monsees et al.	
D758,656 S	6/2016	Freshwater et al.		2014/0060554 A1	3/2014	Collett et al.	
D759,296 S	6/2016	Abroff et al.		2014/0069444 A1	3/2014	Cyphert et al.	
D760,414 S	6/2016	Brown et al.		2014/0196718 A1	7/2014	Li et al.	
D768,834 S	10/2016	Schuller et al.		2014/0366898 A1	12/2014	Monsees et al.	
D771,867 S	11/2016	Leidel et al.		2015/0053217 A1	2/2015	Steingraber et al.	
D773,114 S	11/2016	Leidel et al.		2015/0059787 A1	3/2015	Qiu	
D775,762 S	1/2017	Chen		2015/0101606 A1	4/2015	White	
D776,338 S	1/2017	Lomeli		2015/0101944 A1	4/2015	Li et al.	
D778,831 S	2/2017	Chen		2015/0181937 A1	7/2015	Dubief et al.	
D787,657 S	5/2017	Farone et al.		2015/0189919 A1	7/2015	Liu	
D787,728 S	5/2017	Wing et al.		2015/0245658 A1	9/2015	Worm et al.	
D788,364 S	5/2017	Chen		2016/0007652 A1	1/2016	Taluskie et al.	
D807,575 S	1/2018	Luo		2016/0081395 A1	3/2016	Thorens et al.	
D818,637 S	5/2018	Ringel		2016/0255879 A1	9/2016	Paprocki et al.	
D819,023 S	5/2018	Shim		2017/0231276 A1	8/2017	Mironov et al.	
9,980,523 B2	5/2018	Abramov et al.		2017/0232211 A1	8/2017	Gallem et al.	
D821,640 S	6/2018	Qiu		2018/0168224 A1	6/2018	Naughton et al.	
9,999,256 B2	6/2018	Abramov et al.		2018/0271151 A1	9/2018	Litten	
D824,098 S	7/2018	Scott et al.		2018/0271153 A1	9/2018	John et al.	
D827,117 S *	8/2018	Rigbi	D23/360	2018/0271171 A1	9/2018	Abramov et al.	
D828,295 S	9/2018	Li		2019/0029326 A1	1/2019	Qiu	
D828,622 S	9/2018	Chen et al.		2019/0046745 A1	2/2019	Nettenstrom et al.	
D828,912 S *	9/2018	Powell	D23/366	2019/0150508 A1	5/2019	Thorsen et al.	
D828,950 S	9/2018	Gu		2019/0166918 A1	6/2019	Thorsen et al.	
D828,953 S	9/2018	Chen		2019/0200678 A1	7/2019	Thorson et al.	
				2019/0208815 A1	7/2019	Thorsen	
				2019/0208816 A1	7/2019	Thorsen	
				2019/0208817 A1	7/2019	Qiu et al.	
				2019/0246693 A1	8/2019	Nettenstrom et al.	

(56)

References Cited

U.S. PATENT DOCUMENTS

2019/0387799 A1 12/2019 Reevell
 2020/0245681 A1 8/2020 An
 2020/0253280 A1 8/2020 Thorsen
 2020/0345960 A1 11/2020 Begin et al.

FOREIGN PATENT DOCUMENTS

CN 1190335 A 8/1998
 CN 1333657 A 1/2002
 CN 303798113 S 8/2016
 CN 304035109 S 2/2017
 CN 304590373 S 4/2018
 CN 304659647 6/2018
 CN 304659654 6/2018
 CN 304691359 6/2018
 CN 304696494 6/2018
 CN 304724787 7/2018
 CN 304840668 10/2018
 DE 19854005 A1 5/2000
 DE 19854009 A1 5/2000
 EM 002611426000 3/2015
 EM EU0027270990001 9/2017
 EM EU0027270990007 9/2017
 EM 002880088-00 5/2018
 EP 2316286 A1 5/2011
 EP 2340729 A1 7/2011
 EP 2797448 A2 11/2014
 GB 191000639 A 12/1910
 JP H0590161 U 12/1993
 JP 2001521123 A 11/2001
 JP 2003527127 A 9/2003
 JP 2009509521 A 3/2009
 JP 2013509160 A 3/2013
 JP 2014524313 A 9/2014
 JP 2014525251 A 9/2014
 JP 2014533513 A 12/2014
 JP 2015521847 A 8/2015
 JP D1596828 S 2/2018
 KR 0178388 B1 2/1999
 KR 20010089445 A 10/2001
 KR 100495099 B1 11/2005
 RU 2600092 C2 10/2016
 RU 102379 S 3/2017
 WO WO-9219081 A1 10/1992
 WO WO-9406314 A1 3/1994
 WO WO-9741744 A1 11/1997
 WO WO-9748295 A1 12/1997
 WO WO-9920939 A1 4/1999
 WO WO-0027232 A1 5/2000
 WO WO-0170054 A1 9/2001
 WO WO-2007039794 A2 4/2007
 WO WO-2010047389 A1 4/2010
 WO WO-2013025921 A1 2/2013
 WO WO-2013034460 A1 3/2013
 WO WO-2013076098 A2 5/2013
 WO WO-2013098396 A2 7/2013
 WO WO-2013098397 A2 7/2013
 WO WO-2013160112 A2 10/2013
 WO WO-2015062983 A2 5/2015
 WO WO-2015091258 A1 6/2015
 WO WO-2015166245 A2 11/2015
 WO WO-2016012774 A1 1/2016
 WO WO-2016207407 A1 12/2016
 WO WO-2017194762 A1 11/2017
 WO WO-2017194763 A2 11/2017
 WO WO-2017194764 A1 11/2017
 WO WO-2017194766 A1 11/2017
 WO WO-2017194769 A1 11/2017
 WO WO-2018019786 A1 2/2018

OTHER PUBLICATIONS

English Translation of Office Action dated Dec. 25, 2018 for Korean Application No. 10-2017-7037332, 7 pages.

“Glo E-cigarette”, published 2016, retrieved from <https://ifworlddesignguide.com/entry/235574-glo> on Dec. 5, 2020, 4 pages.
 U.S. Appl. No. 29/722,522, filed Jan. 30, 2020, 74 pages, inventor(s): Cruice et al.
 U.S. Appl. No. 29/722,523, filed Jan. 30, 2020, 74 pages, inventor(s): Cruice et al.
 U.S. Appl. No. 29/722,527, filed Jan. 30, 2020, 86 pages, inventor(s): Cruice et al.
 U.S. Appl. No. 29/722,528, filed Jan. 30, 2020, 86 pages, inventor(s): Cruice et al.
 U.S. Appl. No. 29/722,530, filed Jan. 30, 2020, 46 pages, inventor(s): Cruice et al.
 U.S. Appl. No. 29/722,531, filed Jan. 30, 2020, 46 pages, inventor(s): Cruice et al.
 U.S. Appl. No. 29/557,914, filed Mar. 14, 2016, 284 pages, inventor(s): Powell et al.
 U.S. Appl. No. 29/652,976, filed Jan. 27, 2021, 29 pages, inventor(s): Cruice et al.
 U.S. Appl. No. 29/676,726, filed Jan. 14, 2019, 233 pages, inventor(s): Powell et al.
 U.S. Appl. No. 29/687,461, filed Apr. 12, 2019, 185 pages, inventor(s): Powell et al.
 U.S. Application No. 29/687,464, filed Apr. 12, 2019, 176 pages, inventor(s): Powell et al.
 U.S. Appl. No. 29/687,469, filed Apr. 12, 2019, 147 pages, inventor(s): Powell et al.
 U.S. Appl. No. 29/687,471, filed Apr. 12, 2019, 222 pages, inventor(s): Powell et al.
 U.S. Appl. No. 29/705,487, filed Sep. 12, 2019, 162 pages, inventor(s): Powell et al.
 International Preliminary Report on Patentability for Application No. PCT/EP2017/061518, dated Aug. 17, 2018, 16 pages.
 International Preliminary Report on Patentability for Application No. PCT/EP2017/061519, dated Jul. 25, 2018, 22 pages.
 International Preliminary Report on Patentability for Application No. PCT/EP2017/068675, dated Nov. 29, 2018, 7 pages.
 International Preliminary Report on Patentability for International Application No. PCT/EP2017/061520, dated Jul. 17, 2018, 11 pages.
 International Preliminary Report on Patentability for International Application No. PCT/EP2017/061523, dated Jul. 23, 2018, 14 pages.
 International Search Report and Written Opinion for Application No. PCT/EP2017/061519, dated Dec. 15, 2017, 22 pages.
 International Search Report and Written Opinion for Application No. PCT/EP2017/061520, dated Sep. 11, 2017, 13 pages.
 International Search Report and Written Opinion for Application No. PCT/EP2017/061523, dated Sep. 11, 2017, 13 pages.
 International Search Report and Written Opinion for Application No. PCT/EP2017/068675, dated Nov. 9, 2017, 15 pages.
 International Search Report for Application No. PCT/EP2016/064756, dated Oct. 5, 2016, 2 pages.
 International Search Report for Application No. PCT/EP2017/061518, dated Aug. 1, 2017, 4 pages.
 International Search Report for Application No. PCT/EP2017/061526, dated Aug. 2, 2017, 4 pages.
 Notice of Reasons for Refusal dated Nov. 20, 2018 for Japanese Application No. 2017567106, 6 pages.
 Office Action for Russian Application No. 2020500358, dated Aug. 27, 2020, 10 pages.
 Office Action for Russian Application No. 2020500360, dated Aug. 27, 2020, 11 pages.
 Office Action for Russian Application No. 2020500364, dated Aug. 25, 2020, 11 pages.
 Office Action for Russian Application No. 2020500365, dated Sep. 4, 2020, 4 pages.
 Office Action for Russian Application No. 2020500366, dated Sep. 11, 2020, 13 pages.
 Office Action dated Jan. 6, 2020 for Chinese Application No. 201680037678.4, 8 pages.
 Office Action dated Jan. 10, 2020 for Indian Application No. 201847042184, 5 pages.

(56)

References Cited

OTHER PUBLICATIONS

Office Action dated Mar. 10, 2020 for Japanese Application No. 2018-555932, 10 pages.

Office Action dated Feb. 18, 2020 for Japanese Application No. 2018-559712, 6 pages.

Office Action dated Jun. 18, 2020 for Russian Application No. 2019505810, 7 pages.

Office Action dated Feb. 25, 2020 for Japanese Application No. 2018-554526, 12 pages.

Office Action dated Jan. 28, 2020 for Japanese Application No. 2018-551932, 6 pages.

Office Action dated Feb. 25, 2020 for Japanese Application No. 2018-554501, 12 pages.

Search Report dated Dec. 25, 2019 for Chinese Application No. 201680037678.4, 2 pages.

Uranaka T., et al., "British American Tobacco to Test Tobacco E-cigarette in Japan," Nov. 8, 2016, Retrieved from <http://www.reuters.com/article/us-brit-am-tobacco-ecigarettes-idUSKBN1330AG> on Apr. 7, 2017, 4 pages.

* cited by examiner

FIG. 1

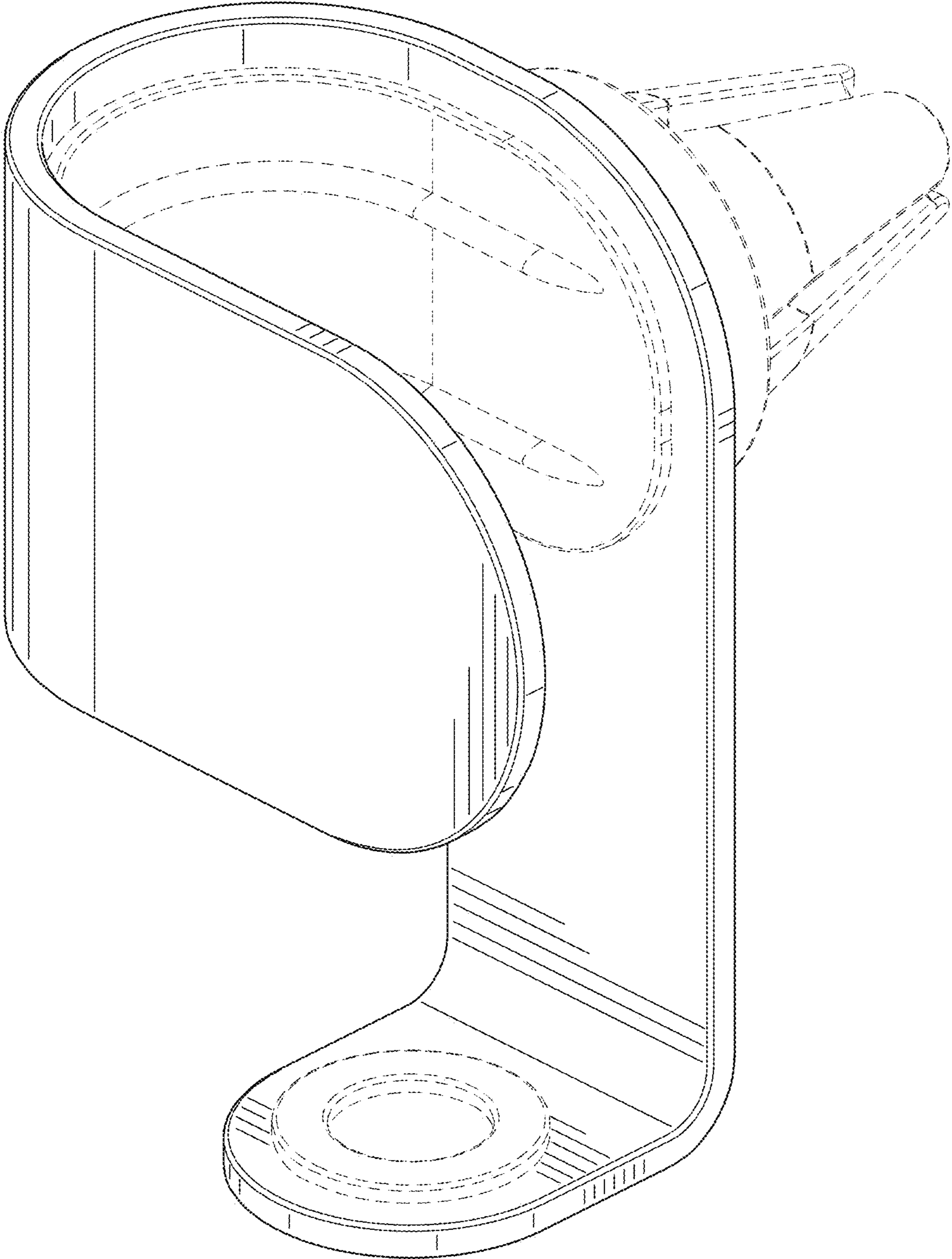


FIG. 2

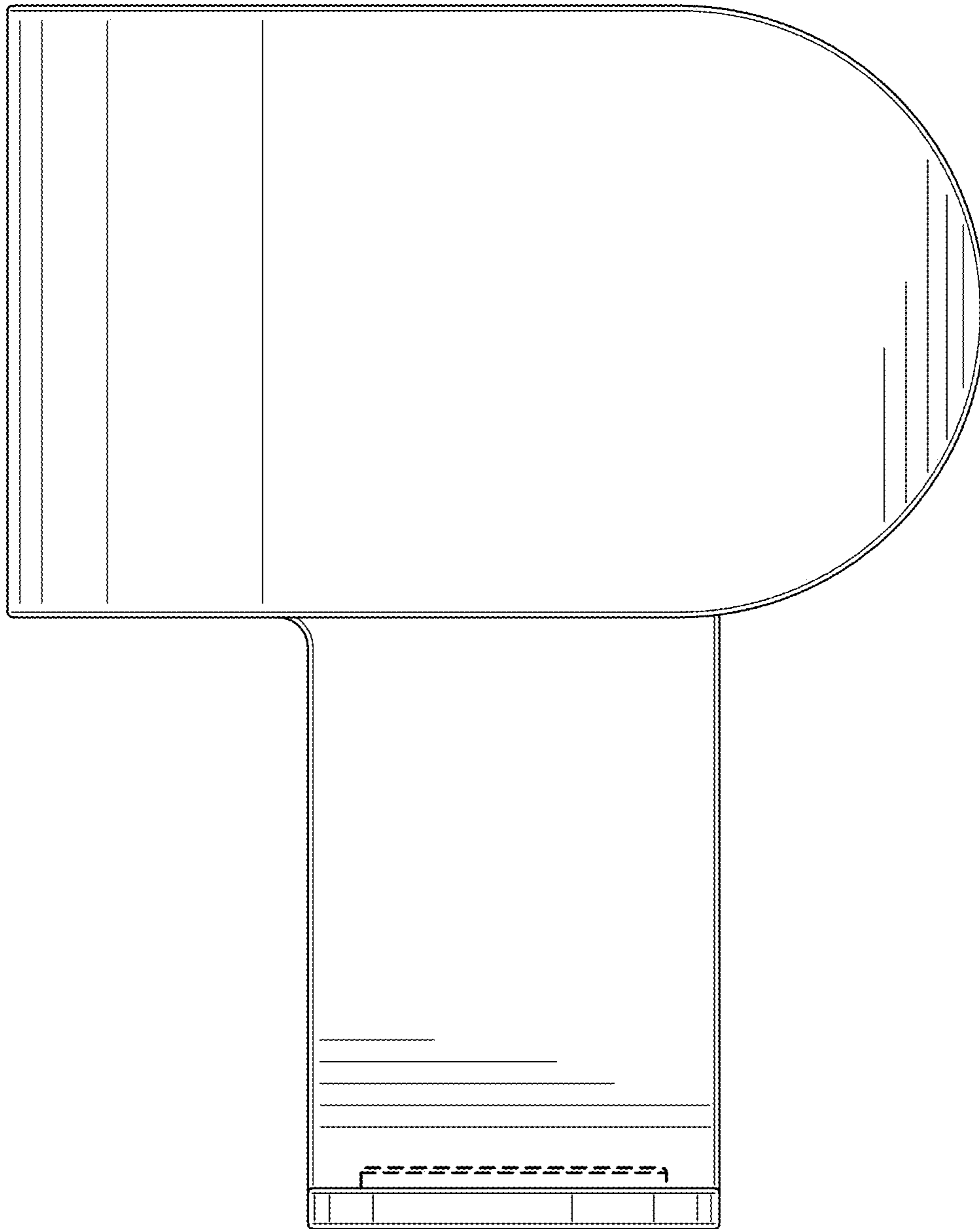


FIG. 3

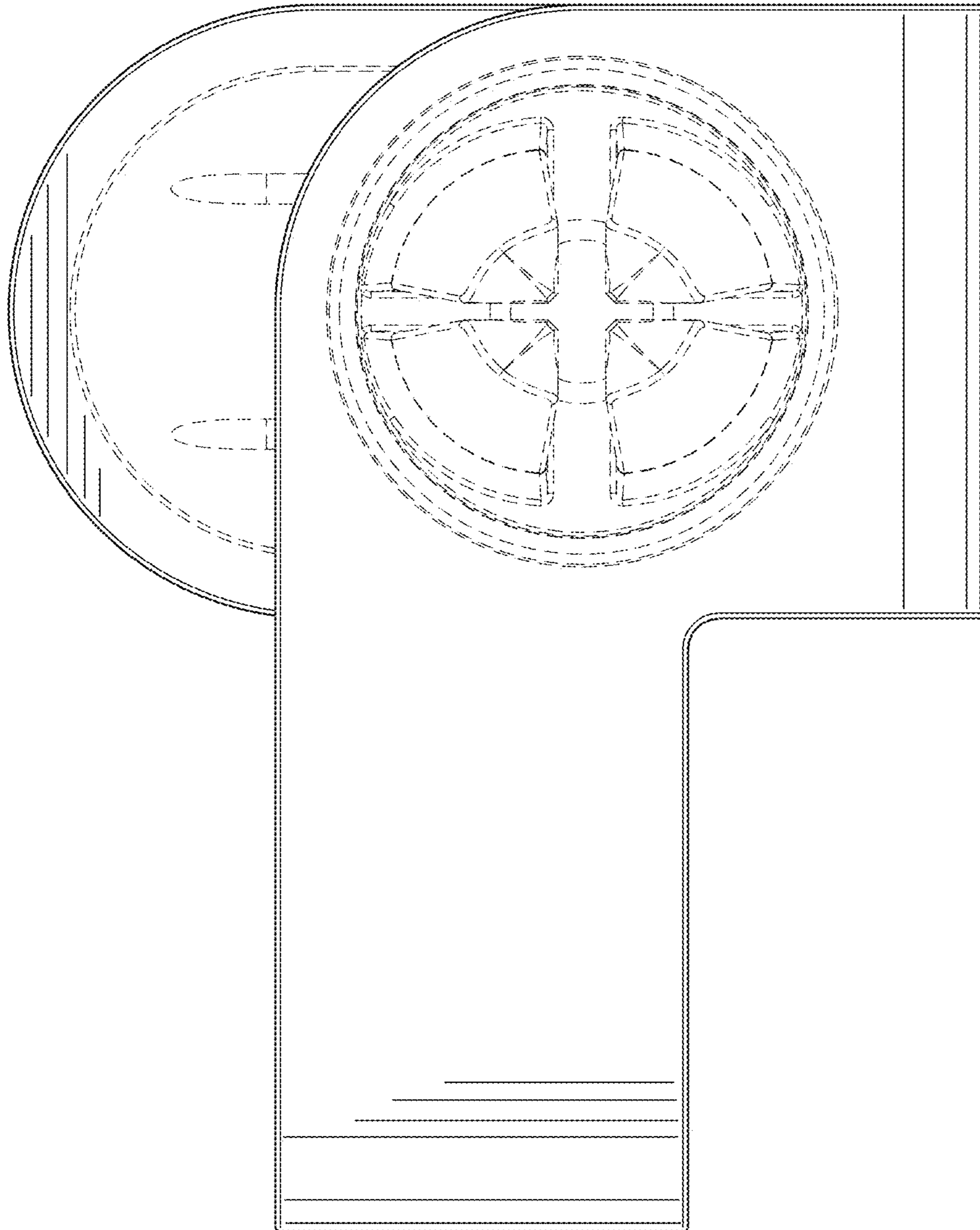


FIG. 4

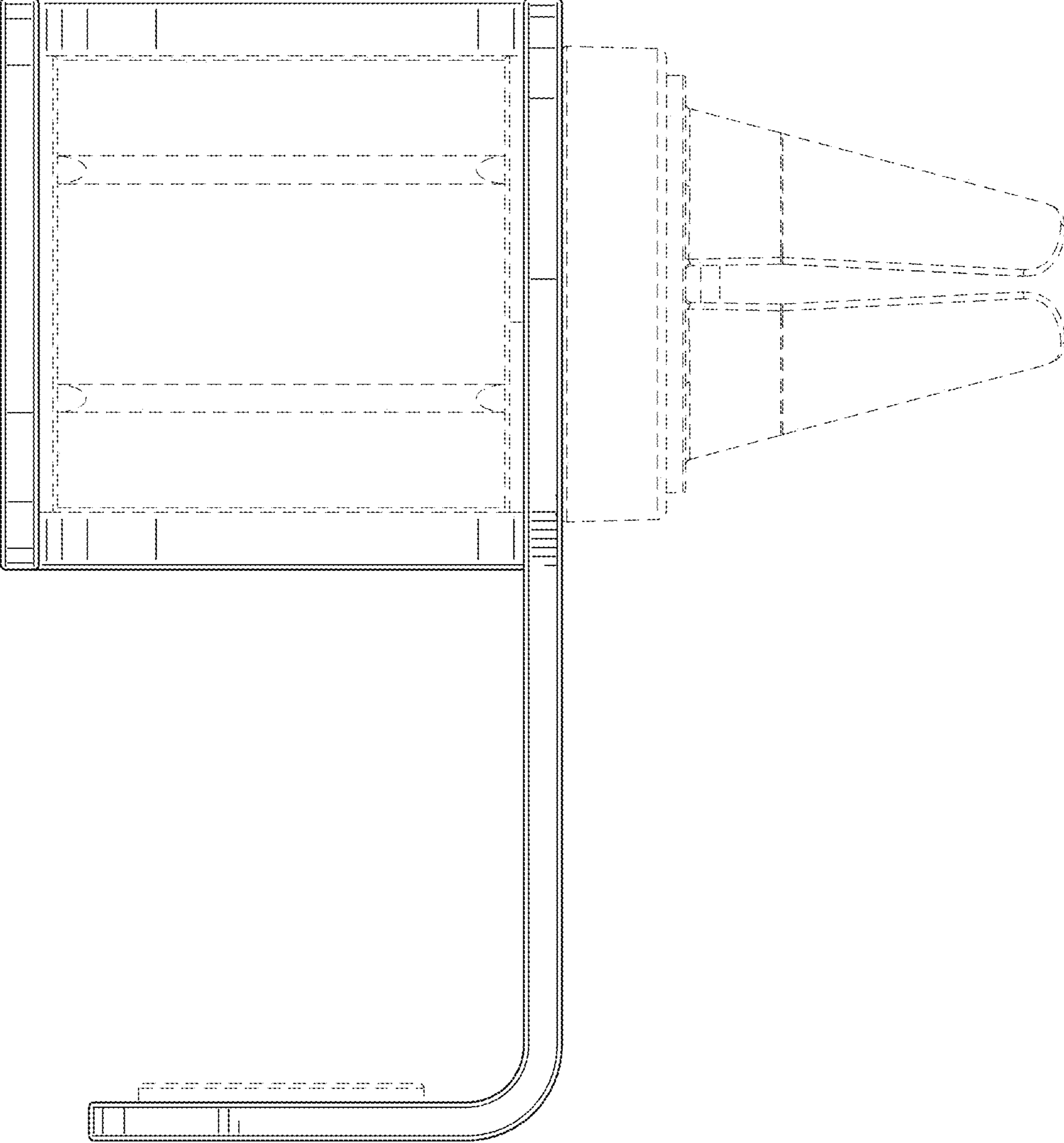


FIG. 5

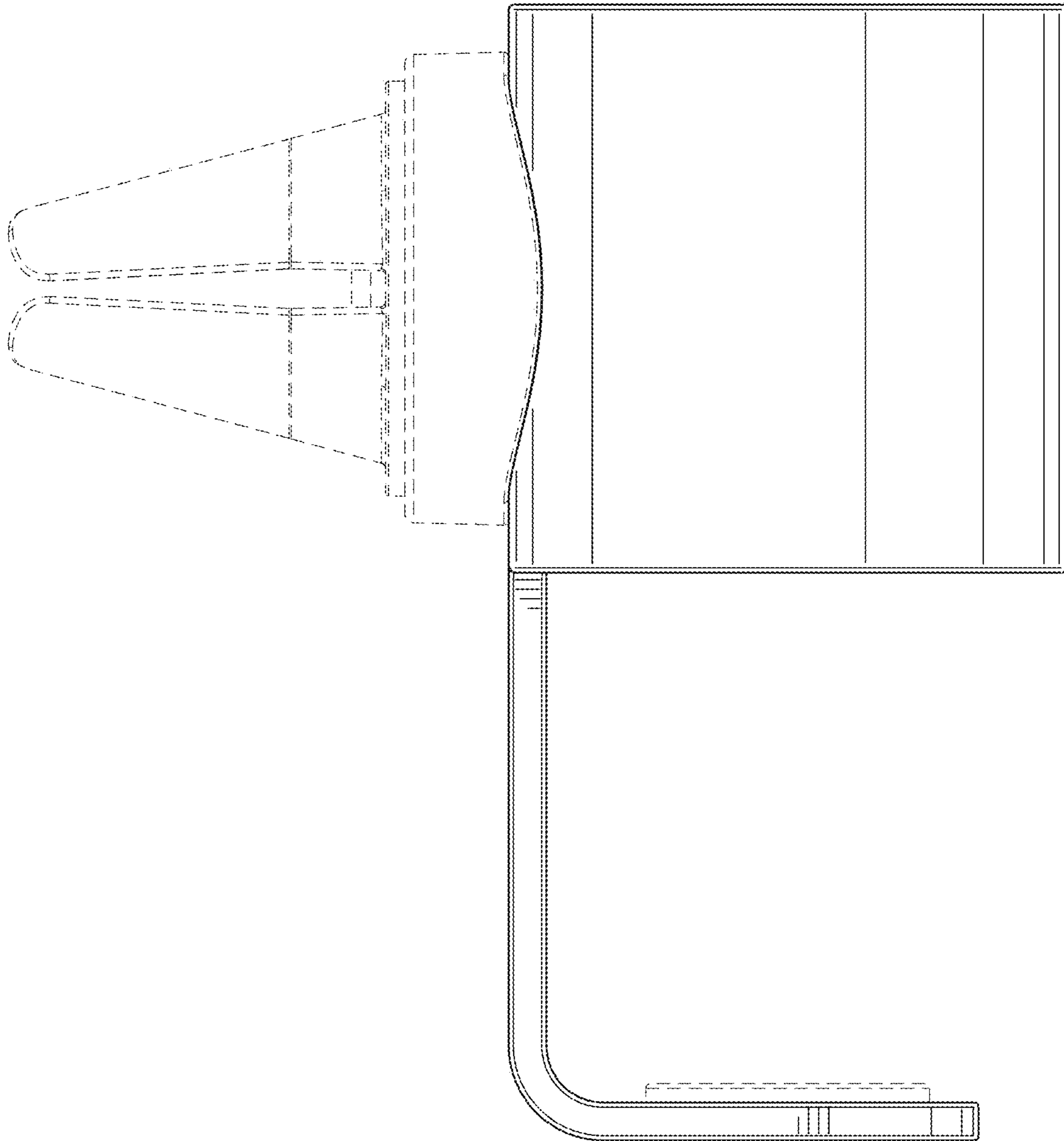


FIG. 6

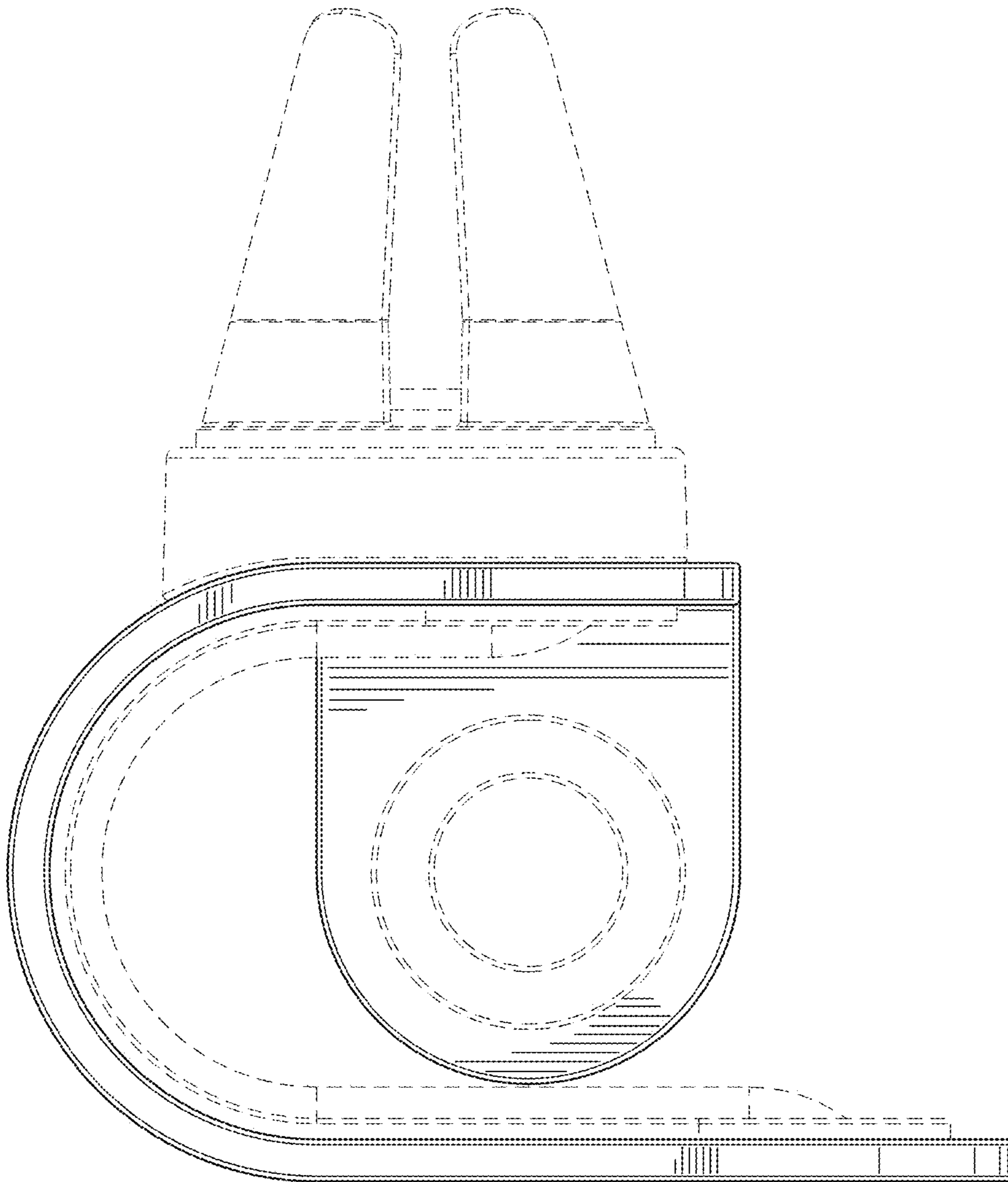


FIG. 7

