



US00D926366S

(12) **United States Design Patent** (10) **Patent No.:** **US D926,366 S**  
**Shroyer** (45) **Date of Patent:** **\*\* Jul. 27, 2021**

(54) **PERSONAL SMOKE FILTER INSERT**

(71) Applicant: **Brandon Shroyer**, Lake Oswego, OR (US)

(72) Inventor: **Brandon Shroyer**, Lake Oswego, OR (US)

(73) Assignee: **Shroyer Enterprises, LLC**, Lake Oswego, OR (US)

(\*\*) Term: **15 Years**

(21) Appl. No.: **29/677,063**

(22) Filed: **Jan. 16, 2019**

(51) **LOC (13) Cl.** ..... **27-99**

(52) **U.S. Cl.**  
USPC ..... **D27/194**

(58) **Field of Classification Search**  
USPC ..... D27/194, 172, 174; 95/273; 206/236;  
131/273, 274, 270, 191, 328, 329, 330,  
131/360-365  
CPC ... A24D 3/17; A24D 3/04; A24D 3/10; A24D  
3/12; A24D 3/00; A24D 1/045; A24D  
1/047; A24F 13/06; A24F 7/04  
See application file for complete search history.

(56) **References Cited**

U.S. PATENT DOCUMENTS

D399,600 S *	10/1998	Bowen	.....	D27/194
D493,165 S *	7/2004	Kiple	.....	D14/242
D591,741 S *	5/2009	Whitehorn	.....	D14/346
D597,090 S *	7/2009	Bemelmans	.....	D14/341
D620,258 S *	7/2010	Fahrendorff	.....	D3/299
D679,167 S *	4/2013	Phill	.....	D8/107
D712,090 S *	8/2014	Liu	.....	D27/189

D716,304 S *	10/2014	Orthey	.....	D14/385
D744,303 S *	12/2015	Marconi	.....	D15/13
D854,238 S *	7/2019	Gould	.....	D27/194
2008/0202955 A1 *	8/2008	Kutsch	.....	B65D 1/22 206/236

OTHER PUBLICATIONS

<https://www.spacesmoke.com/products/smoke-trap> (Mar. 13, 2020).\*

\* cited by examiner

*Primary Examiner* — Marissa J Cash  
*Assistant Examiner* — Rebecca Tsehaye

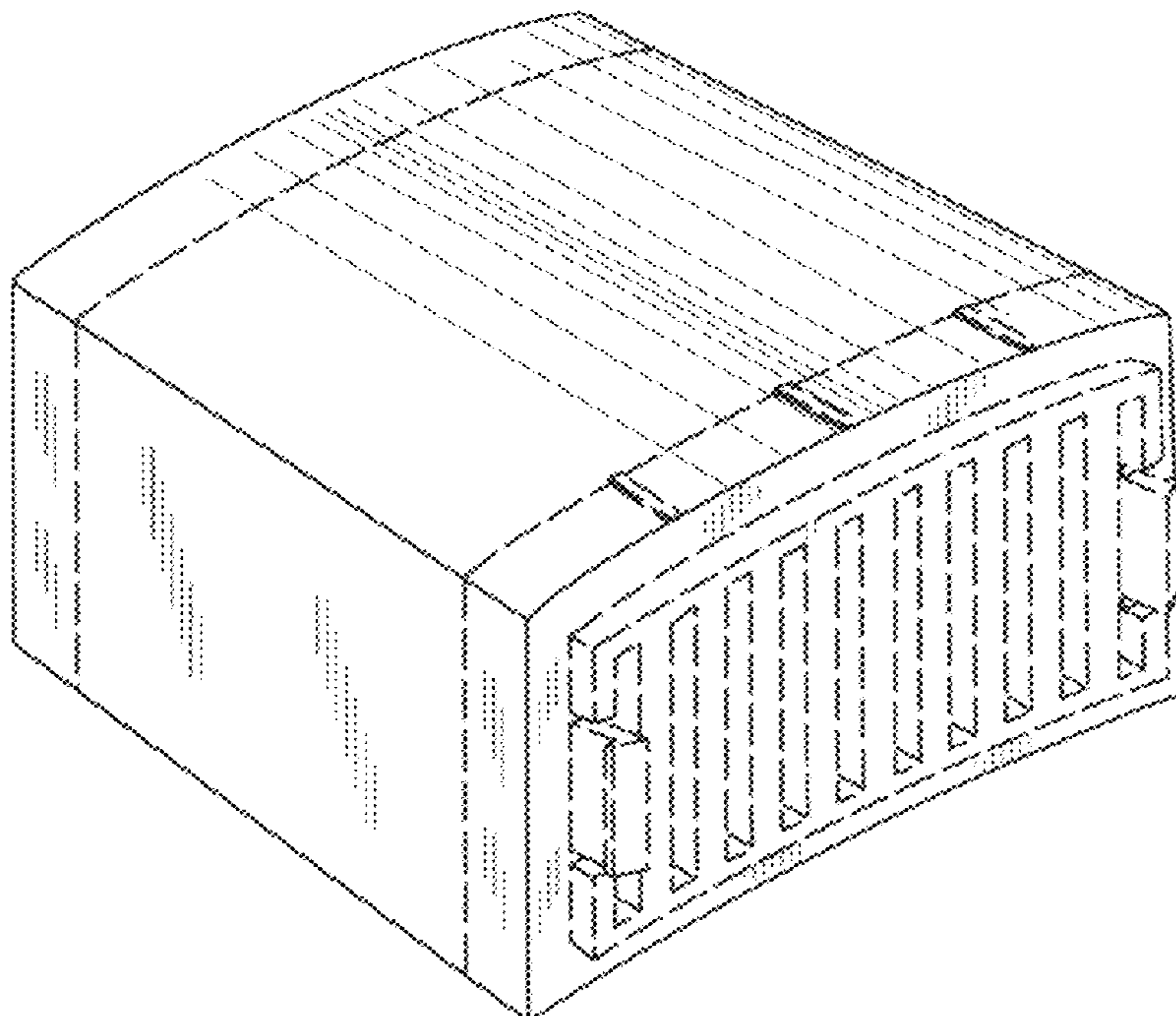
(57) **CLAIM**

The ornamental design for a personal smoke filter insert, as shown and described.

**DESCRIPTION**

FIG. 1 is a rear, left, isometric view of the personal smoke filter insert;  
FIG. 2 is a top, plan view thereof;  
FIG. 3 is a bottom, plan view thereof;  
FIG. 4 is a left, plan view thereof;  
FIG. 5 is a right, plan view thereof;  
FIG. 6 is a rear, plan view thereof; and,  
FIG. 7 is a front, plan view thereof.  
In the drawings, the claimed design is defined by the shaded surfaces; broken lines immediately adjacent shaded surfaces represent boundaries of the claim and form no part thereof; all other broken lines depict unclaimed environmental subject matter and form no part of the claim.

**1 Claim, 2 Drawing Sheets**



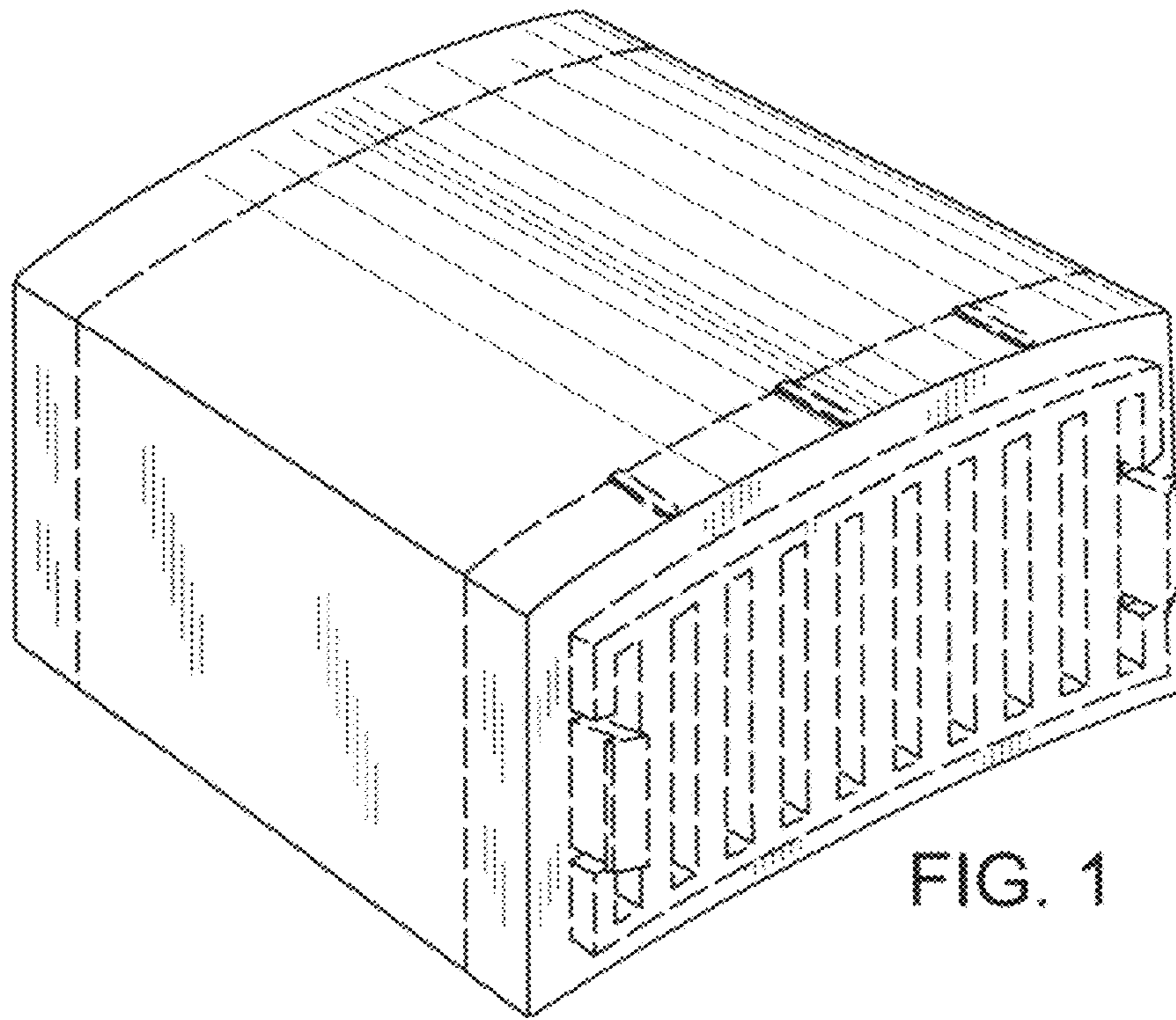


FIG. 1

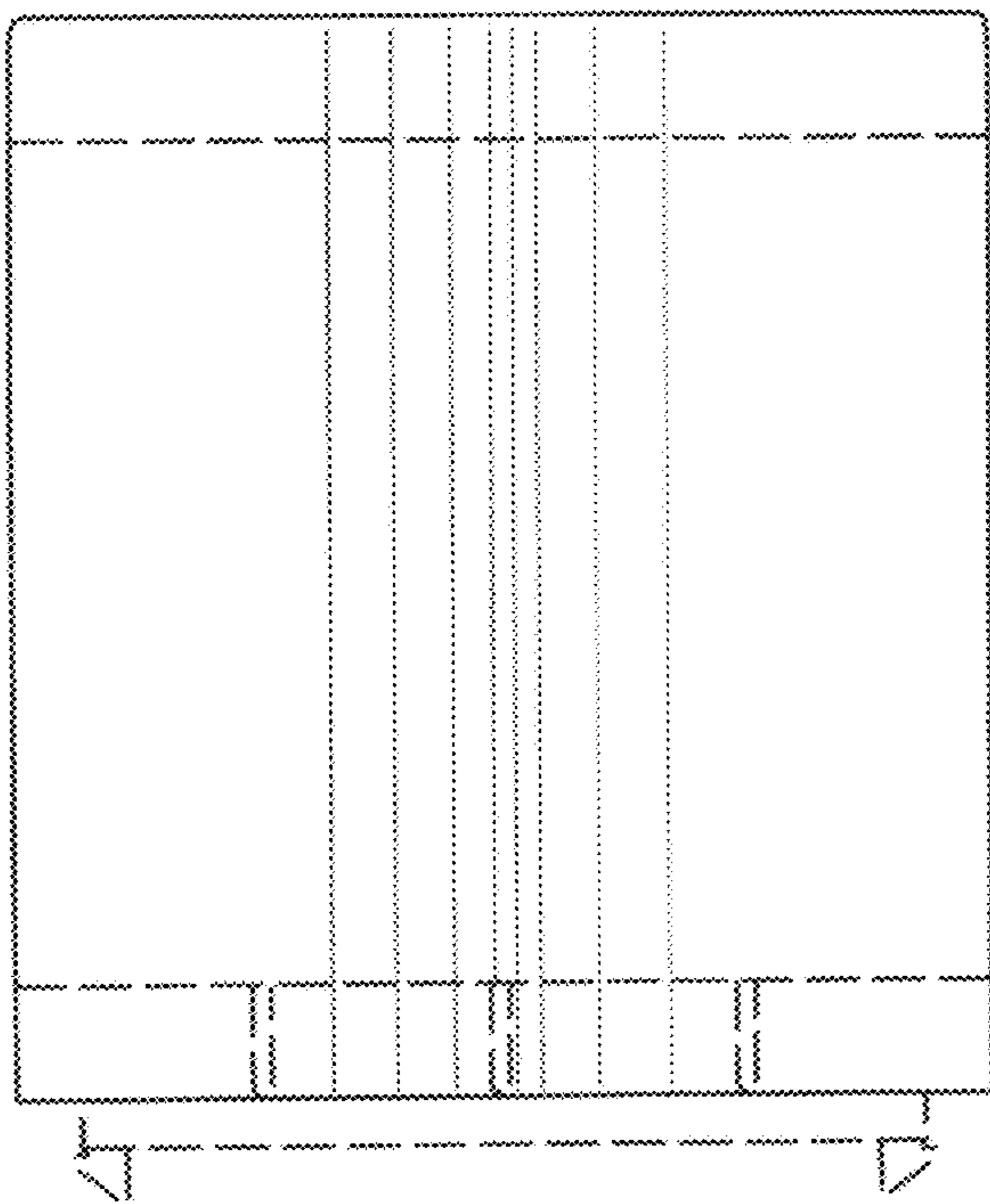


FIG. 2

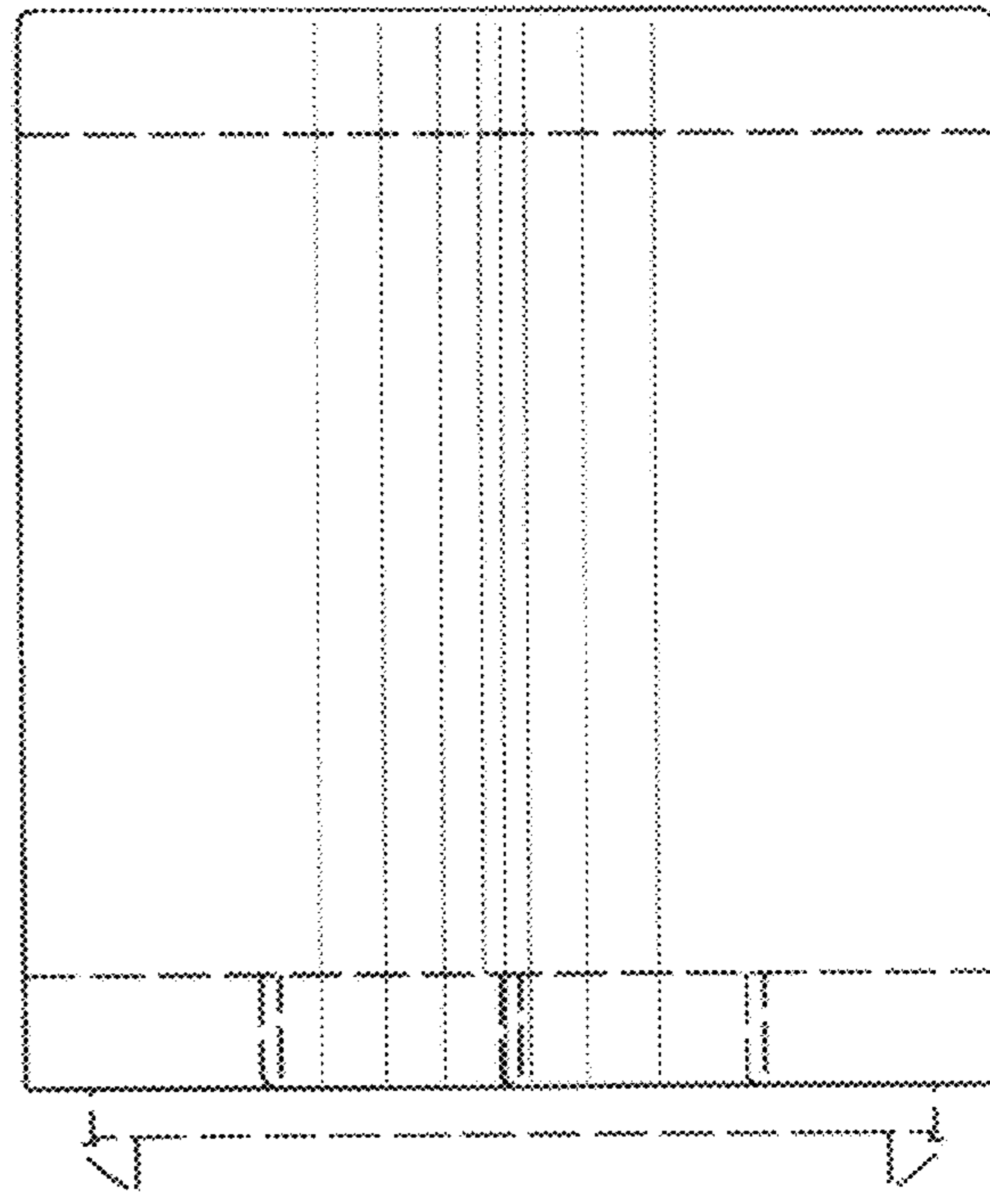


FIG. 3



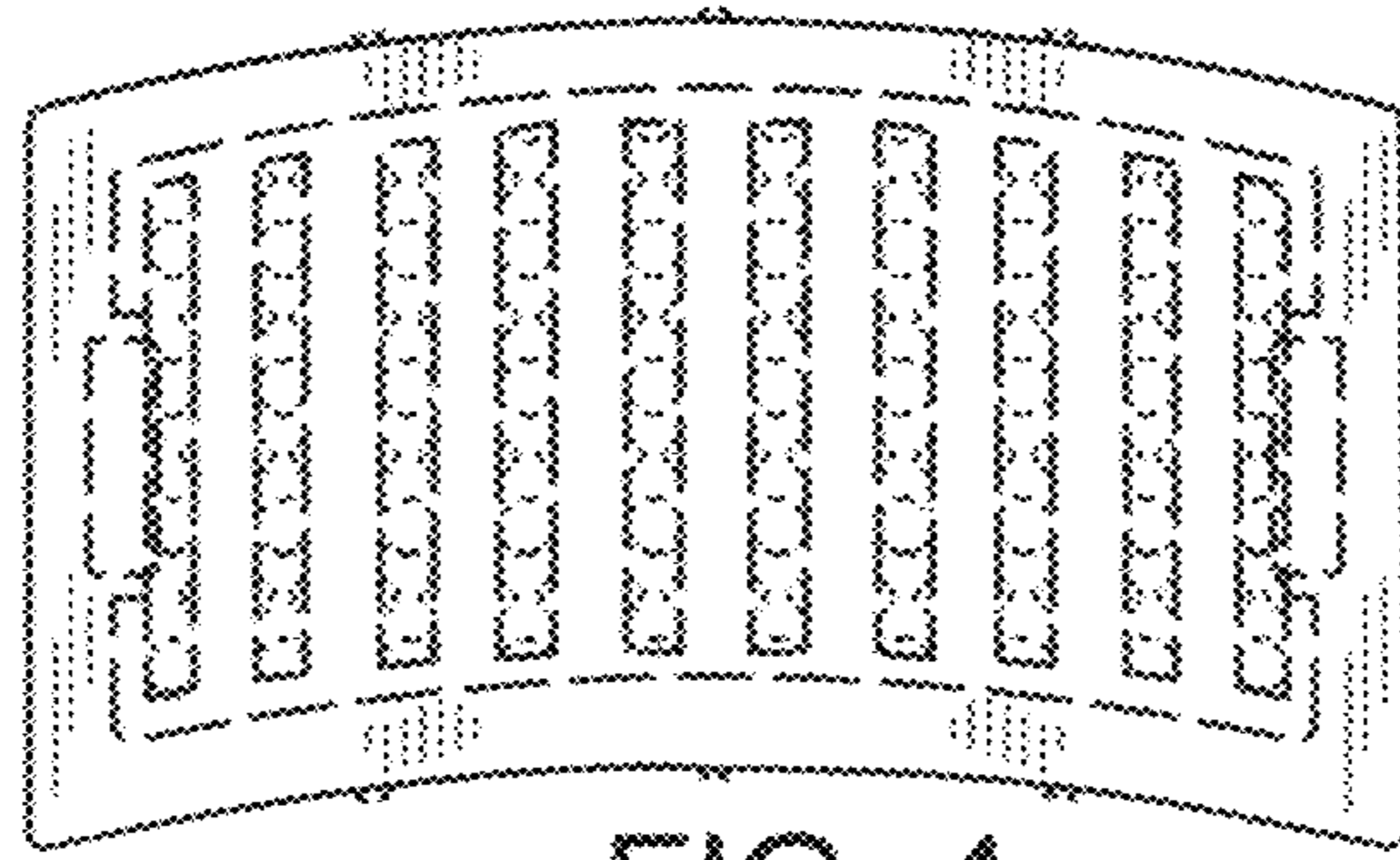


FIG. 4

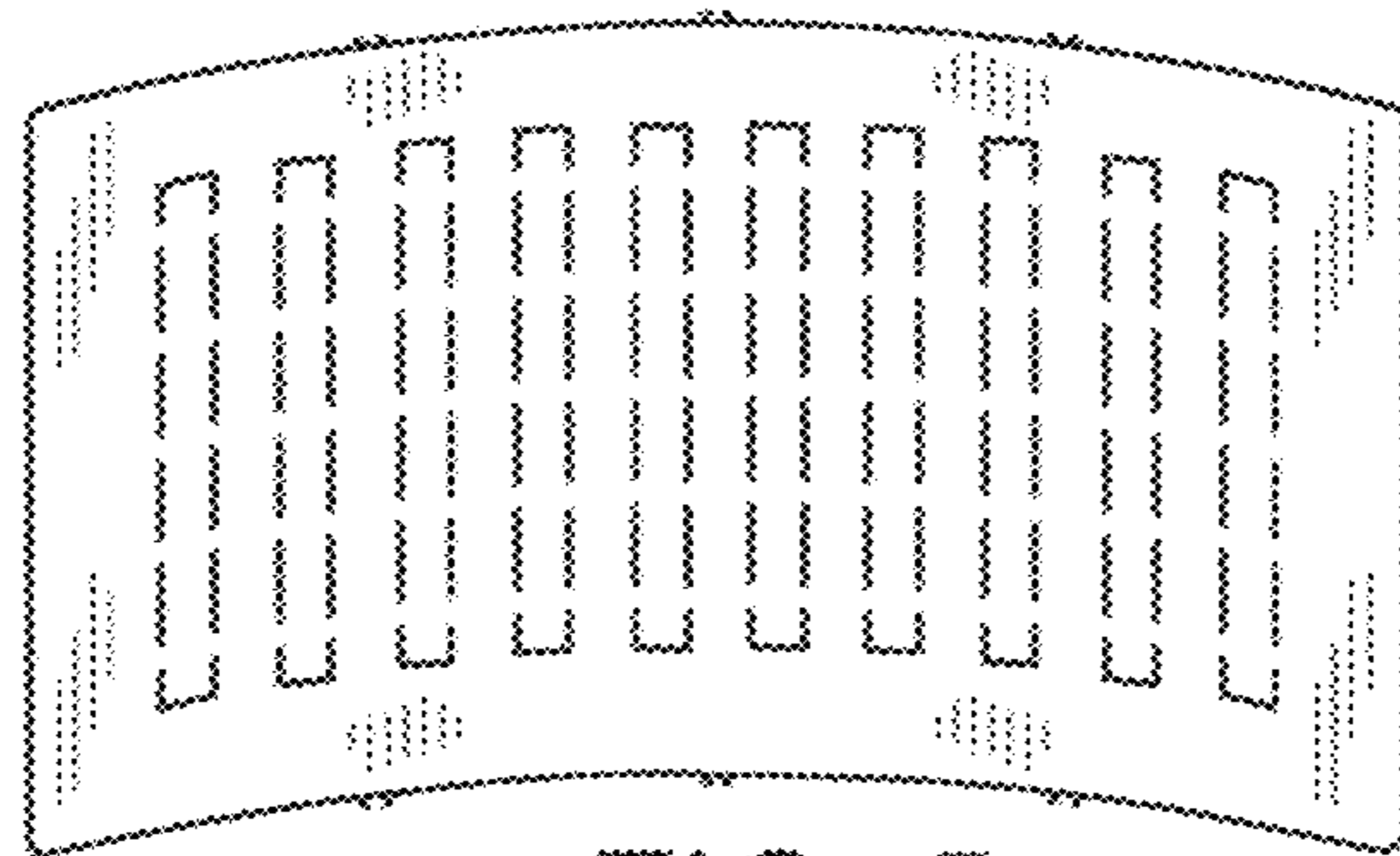


FIG. 5

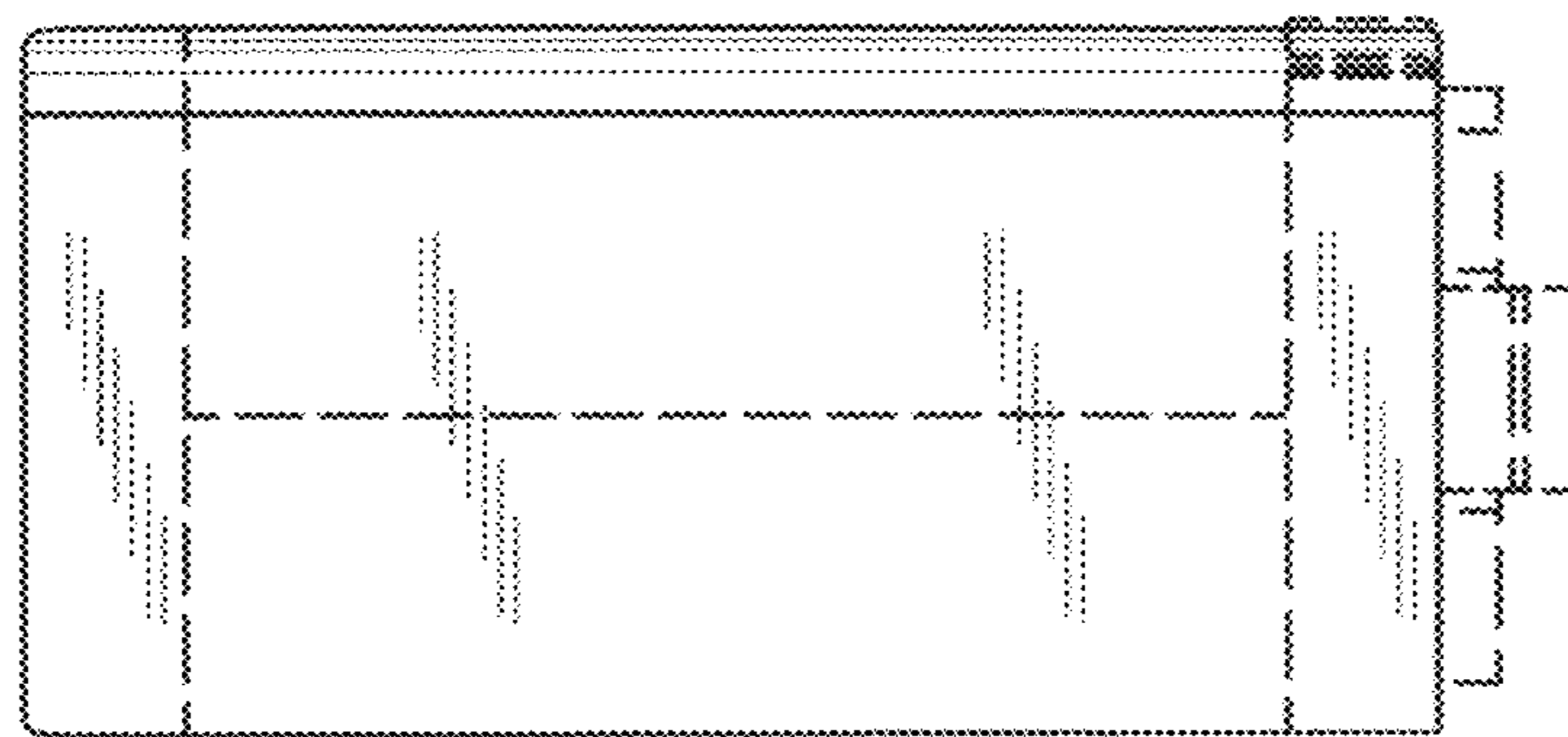


FIG. 6

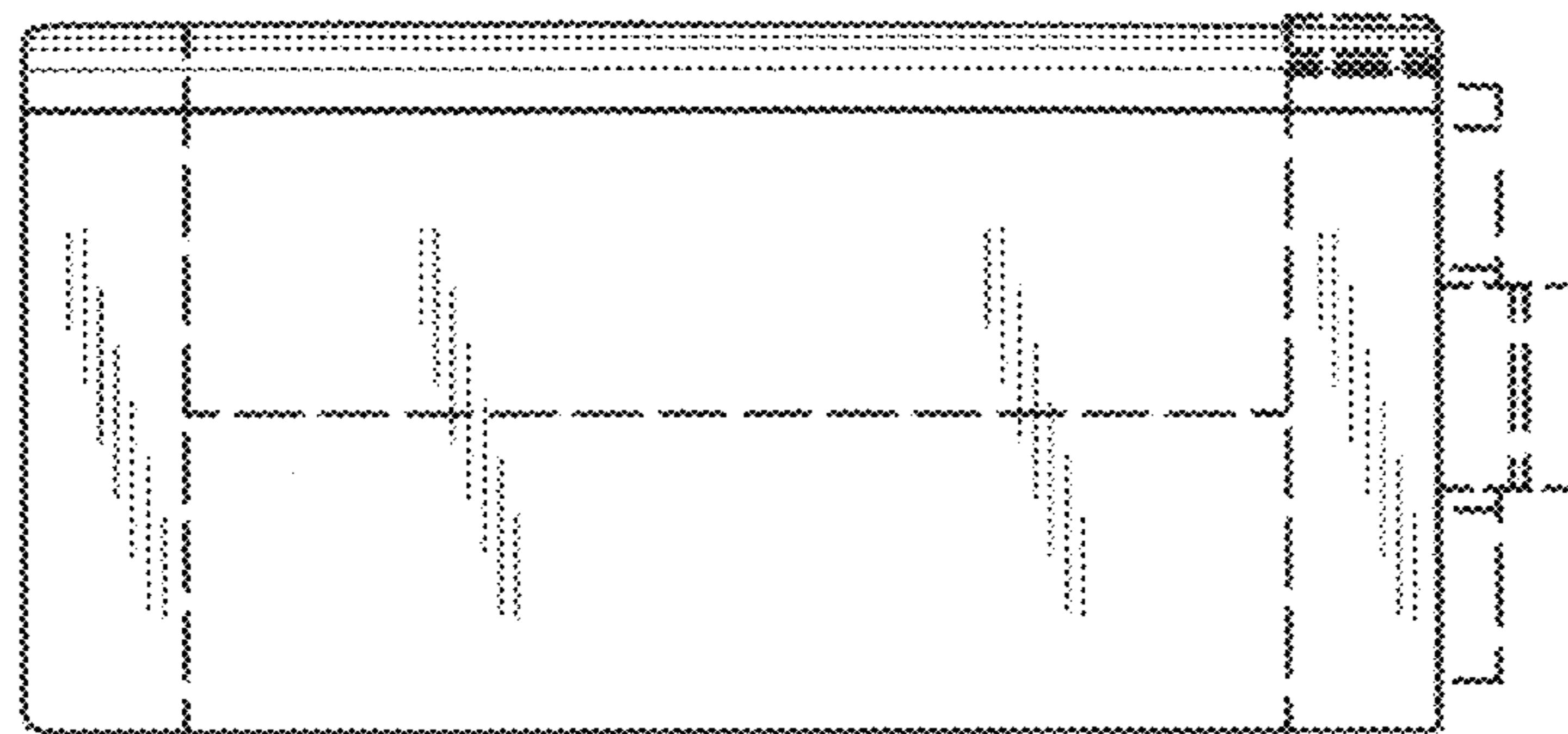


FIG. 7