



US00D926365S

(12) **United States Design Patent** (10) **Patent No.:** **US D926,365 S**
Liu (45) **Date of Patent:** **** Jul. 27, 2021**

(54) **ELECTRONIC CIGARETTE ATOMIZER**
(71) Applicant: **Shenzhen Eigate Technology Co., Ltd.**, Shenzhen (CN)
(72) Inventor: **Tuanfang Liu**, Shenzhen (CN)
(73) Assignee: **SHENZHEN EIGATE TECHNOLOGY CO., LTD.**, Shenzhen (CN)

D853,635 S * 7/2019 Chen D27/194
D854,739 S * 7/2019 Li D27/162
D861,978 S * 10/2019 Lai D27/167
D867,657 S * 11/2019 Fornarelli D27/194
D877,975 S * 3/2020 Crowe D27/162
D881,456 S * 4/2020 Chen D27/162
D883,567 S * 5/2020 Liu D27/162
D898,993 S * 10/2020 Li D27/167
D900,387 S * 10/2020 Liu D27/162
2016/0219935 A1 * 8/2016 Qiu A24F 40/485
2016/0295920 A1 * 10/2016 Liu A24F 40/485
2017/0013881 A1 * 1/2017 Liu H05B 3/12
2018/0007961 A1 * 1/2018 Zhu F16J 15/021

(**) Term: **15 Years**

(21) Appl. No.: **29/741,805**

(22) Filed: **Jul. 15, 2020**

(30) **Foreign Application Priority Data**

Jan. 16, 2020 (CN) 202030028651.8

(51) **LOC (13) Cl.** **27-02**

(52) **U.S. Cl.**
USPC **D27/167**

(58) **Field of Classification Search**
USPC D27/167, 162, 100, 101, 163-165, 172,
D27/174, 183, 185-194; D24/110, 110.5;
D23/366
CPC A24F 47/002; A24F 47/006; A24F 47/008;
A61M 15/00; A61M 15/06
See application file for complete search history.

(56) **References Cited**

U.S. PATENT DOCUMENTS

D724,264 S * 3/2015 Chambers D27/101
D740,488 S * 10/2015 Leidel D27/167
D771,307 S * 11/2016 Wu D27/101
D792,022 S * 7/2017 Li D27/167
D806,943 S * 1/2018 Liu D27/101
D811,652 S * 2/2018 Liu D27/167
D817,544 S * 5/2018 Chen D27/167
D826,471 S * 8/2018 Wang D27/167
D836,243 S * 12/2018 Liu D27/167

(Continued)

OTHER PUBLICATIONS

Mello Atomizer, By: Eleaf found on line Mar. 19, 2021 <https://viciousvapors.com/pohs/product/eleaf-melo-iii-mini/> (Jan. 30, 2018).*

Primary Examiner — Marissa J Cash

Assistant Examiner — Rebecca Tsehaye

(74) *Attorney, Agent, or Firm* — Matthias Scholl P.C.;
Matthias Scholl

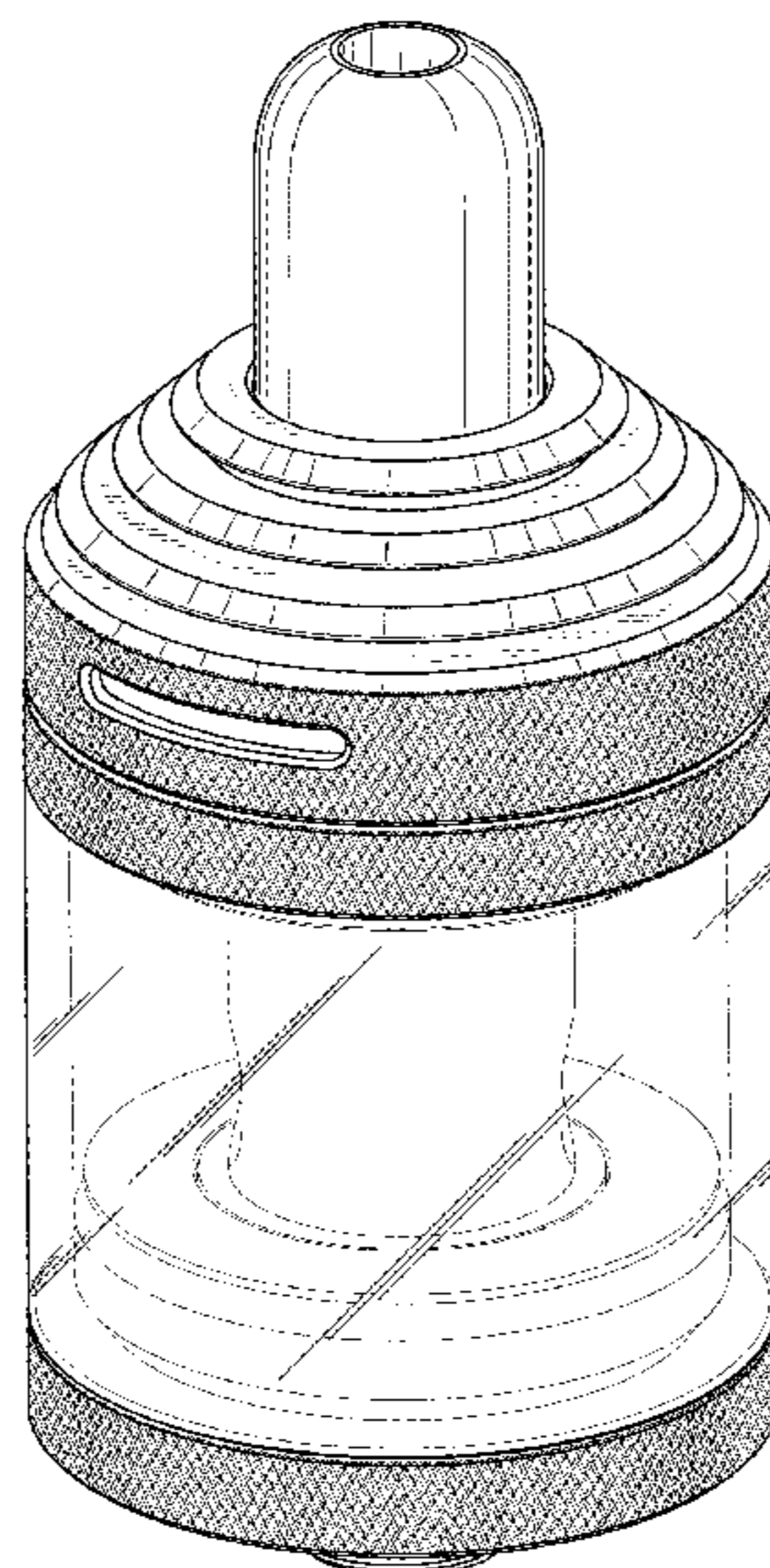
(57) **CLAIM**

The ornamental design for an electronic cigarette atomizer, as shown and described.

DESCRIPTION

FIG. 1 is a front elevation view of an electronic cigarette atomizer;
FIG. 2 is a rear elevation view thereof;
FIG. 3 is a left-side elevation view thereof;
FIG. 4 is a right-side elevation view thereof;
FIG. 5 is a top plan view thereof;
FIG. 6 is a bottom plan view thereof; and,
FIG. 7 is a perspective view thereof.
The broken lines depict portions of the article that form no part of the claimed design.

1 Claim, 7 Drawing Sheets



(56)

References Cited

U.S. PATENT DOCUMENTS

2018/0153222 A1* 6/2018 Shen A24F 40/485
2018/0263282 A1* 9/2018 Qiu B05B 1/24
2018/0279683 A1* 10/2018 Qiu A24F 40/42

* cited by examiner

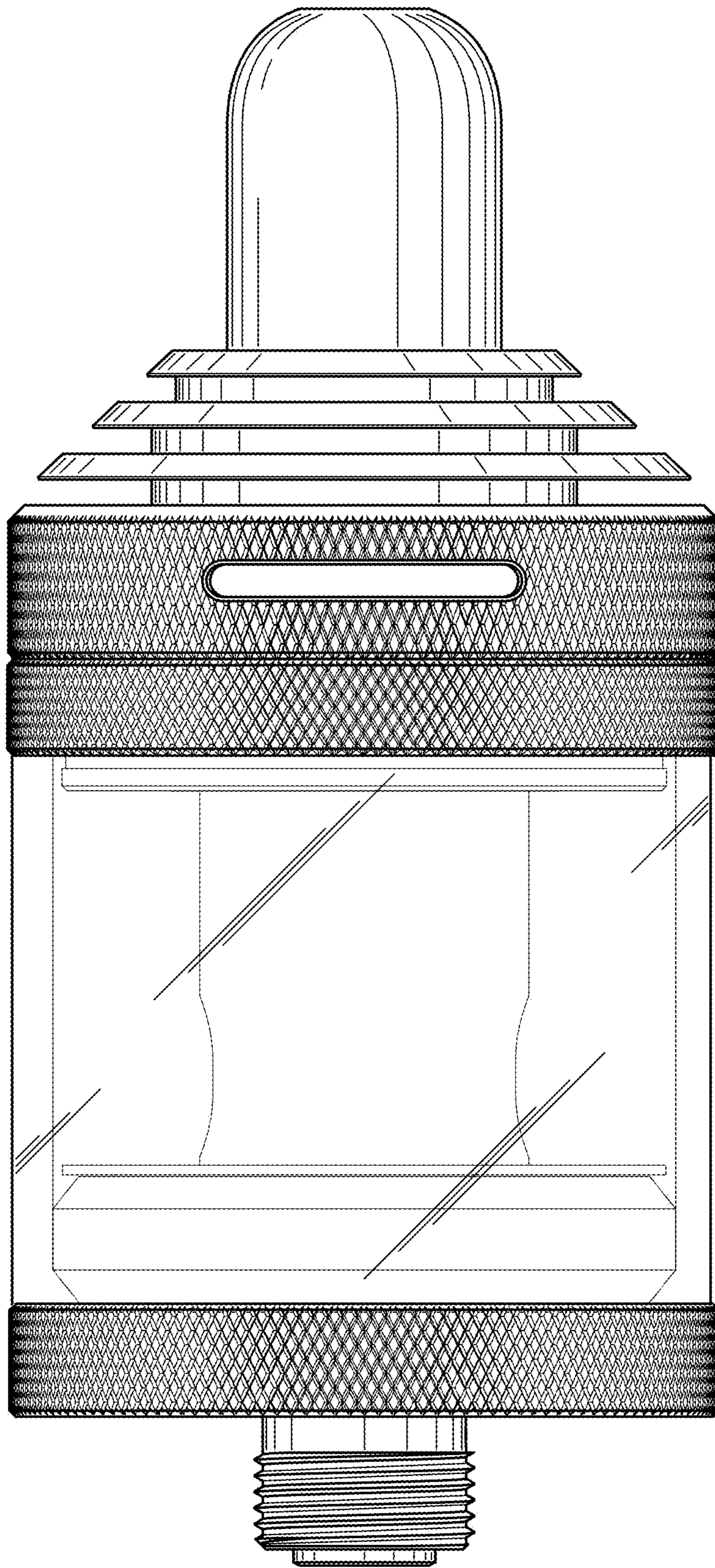


FIG. 1

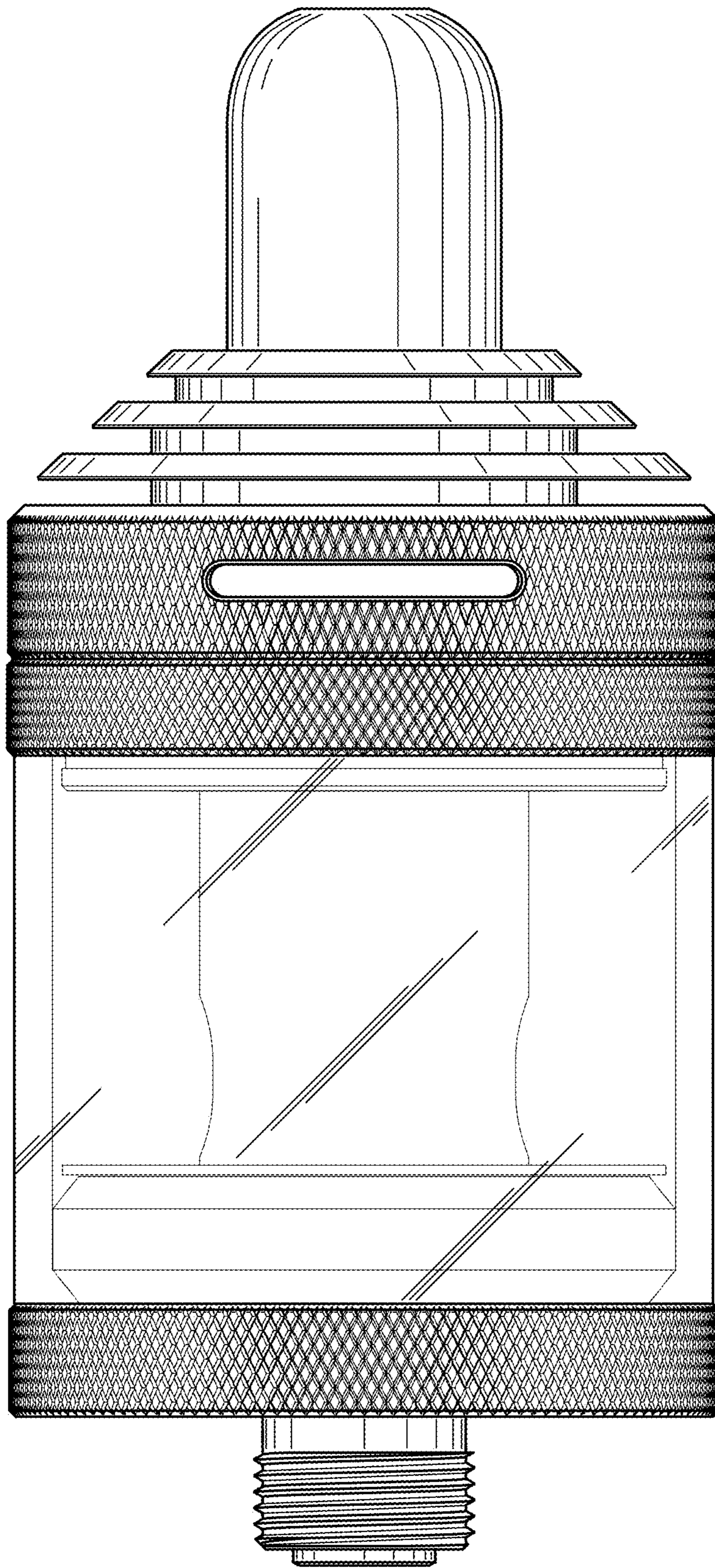


FIG. 2

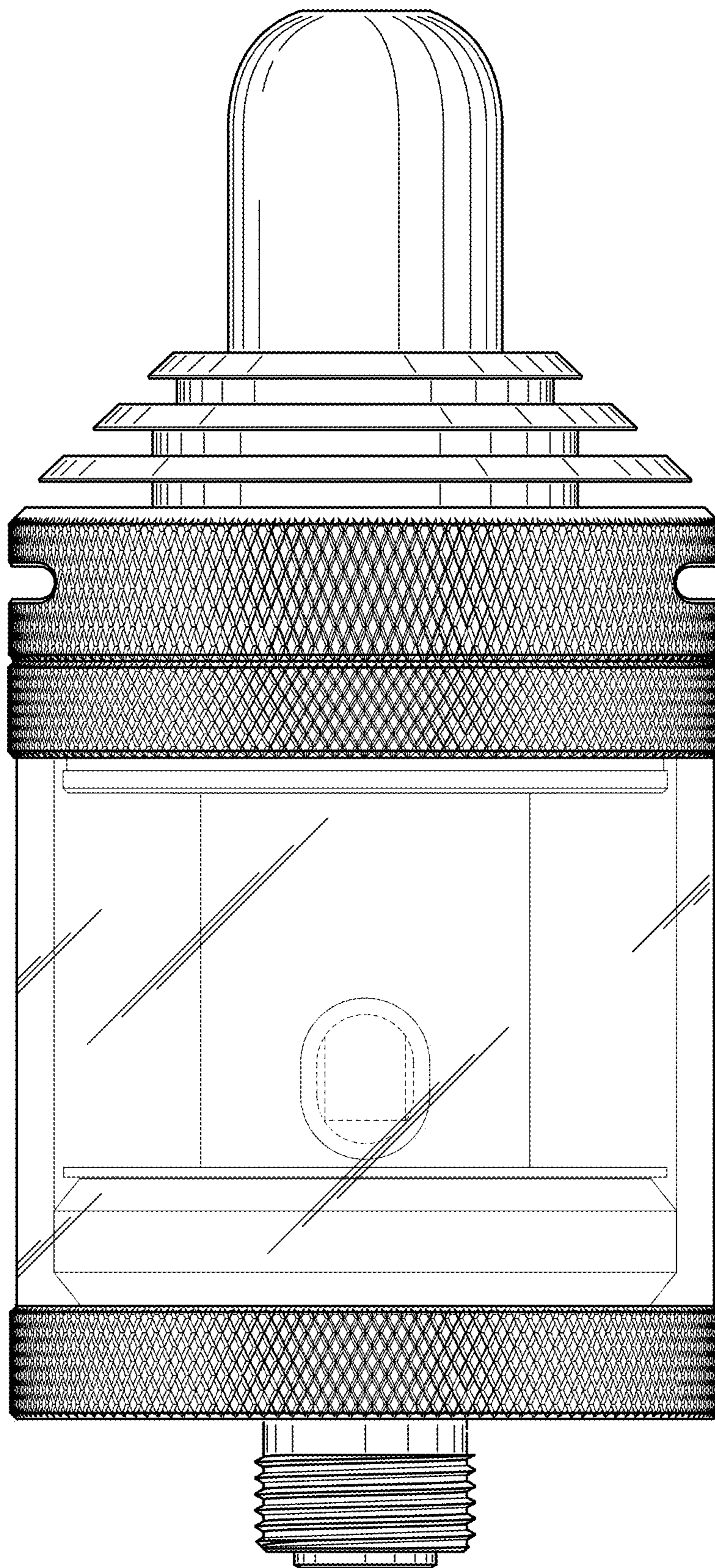


FIG. 3

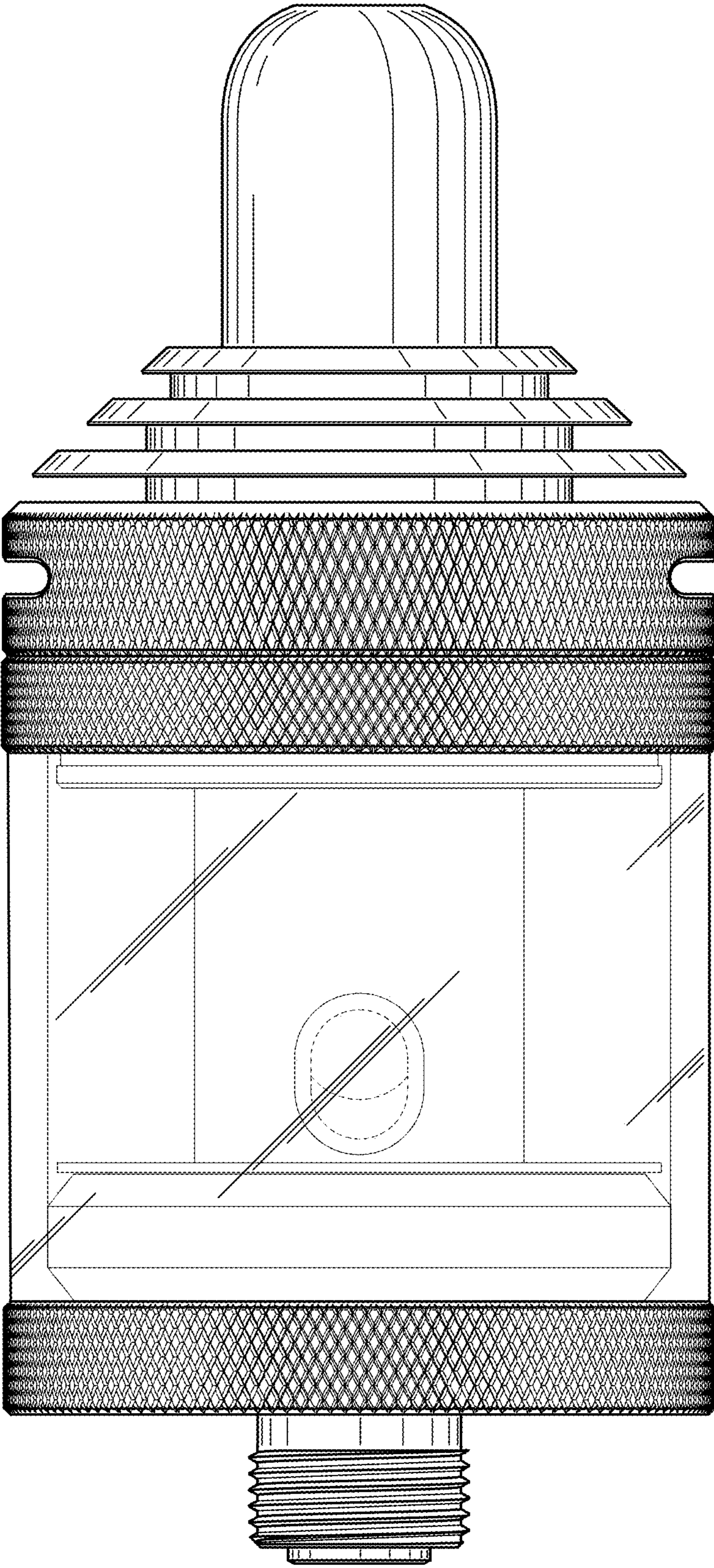


FIG. 4

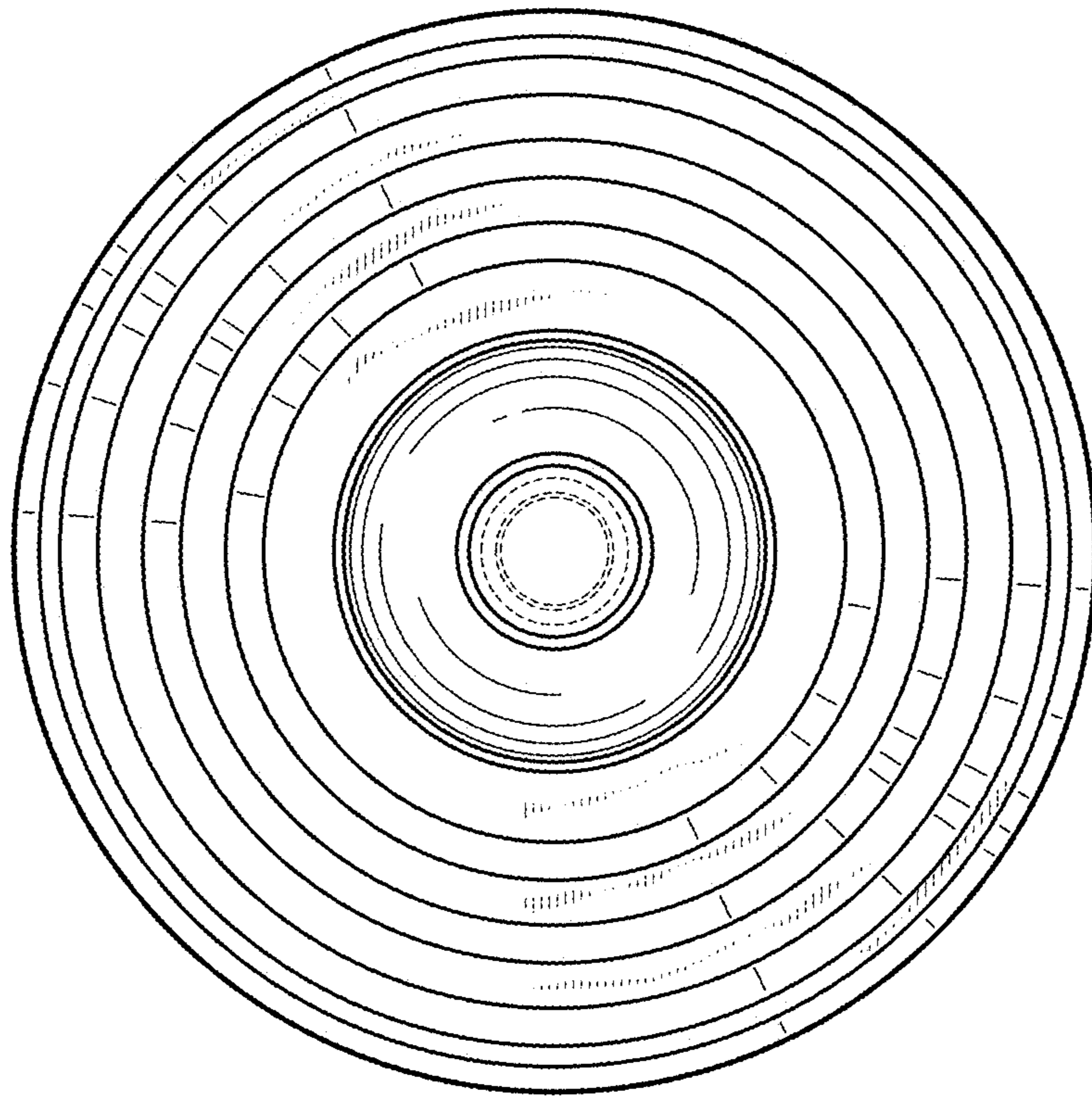


FIG. 5



FIG. 6

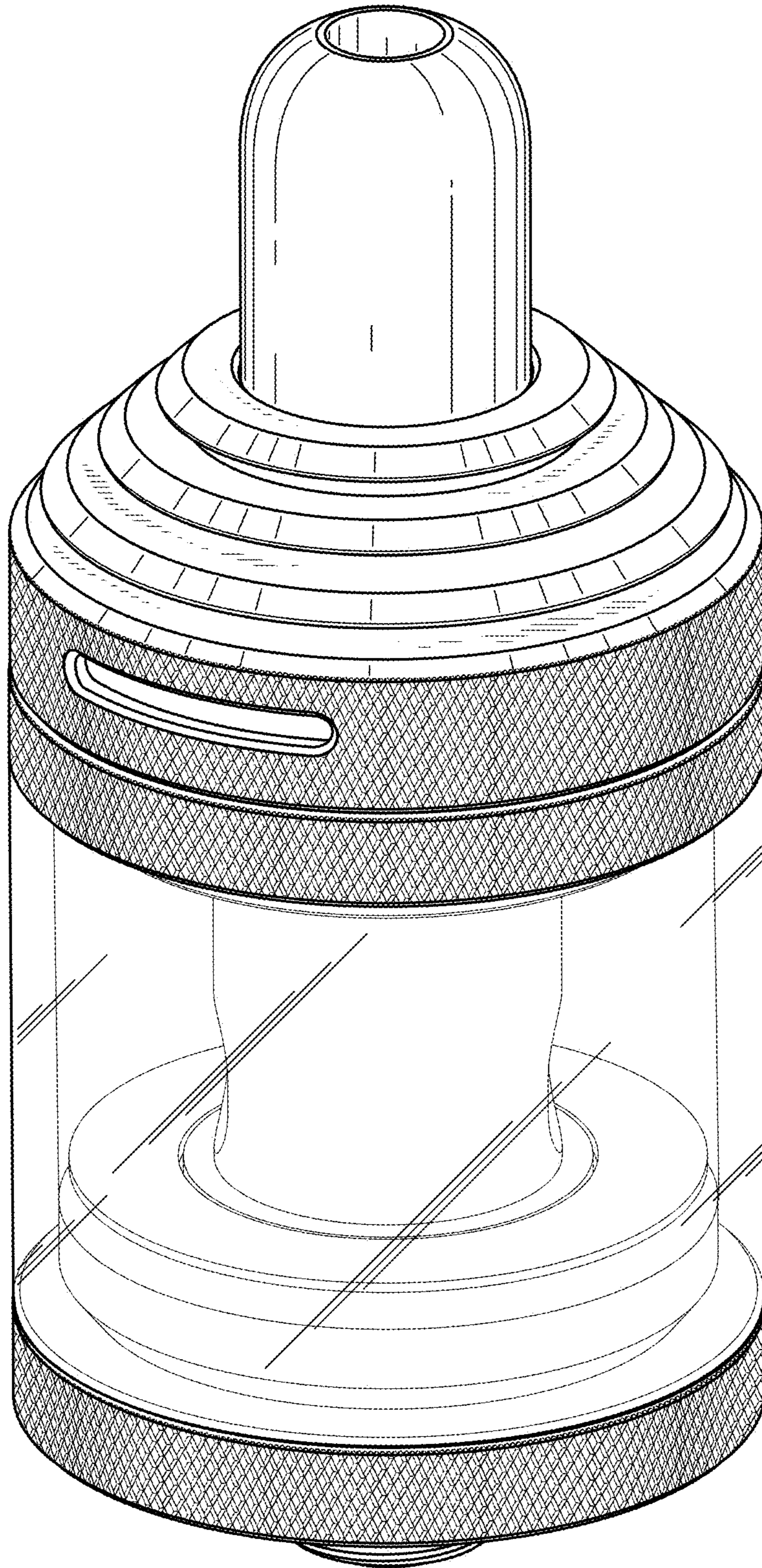


FIG. 7