



US00D926360S

(12) **United States Design Patent** (10) **Patent No.:** **US D926,360 S**
Liu (45) **Date of Patent:** **** Jul. 27, 2021**

(54) **ELECTRONIC CIGARETTE**
(71) Applicant: **Tuanfang Liu**, Shenzhen (CN)
(72) Inventor: **Tuanfang Liu**, Shenzhen (CN)
(**) Term: **15 Years**

D898,993 S * 10/2020 Li D27/167
D900,387 S * 10/2020 Liu D27/162
2016/0295920 A1* 10/2016 Liu A24F 47/008
2017/0013881 A1* 1/2017 Liu A24F 47/008
2018/0153222 A1* 6/2018 Shen A24F 47/008
2018/0279683 A1* 10/2018 Qiu A24F 47/008

(21) Appl. No.: **29/713,599**
(22) Filed: **Nov. 18, 2019**

OTHER PUBLICATIONS

Atomizer by Aspire found on line Nov. 20, 2020 <https://www.esmokeguru.com/el/mods-atomizers/atomizer/aspire-cleito-pro-black.html>.*

(30) **Foreign Application Priority Data**

* cited by examiner

Jul. 8, 2019 (CN) 201930360470.2

Primary Examiner — Marissa J Cash
Assistant Examiner — Rebecca Tsehaye
(74) *Attorney, Agent, or Firm* — Matthias Scholl P.C.;
Matthias Scholl

(51) **LOC (13) Cl.** **27-02**

(52) **U.S. Cl.**
USPC **D27/162**

(58) **Field of Classification Search**
USPC D27/162, 100, 101, 163–165, 172,
D27/174–176, 183, 185–194; D24/110,
D24/110.5; D23/366
CPC A24F 47/002; A24F 47/006; A24F 47/008;
A61M 15/00; A61M 15/06
See application file for complete search history.

(57) **CLAIM**

The ornamental design for an electronic cigarette, as shown and described.

(56) **References Cited**

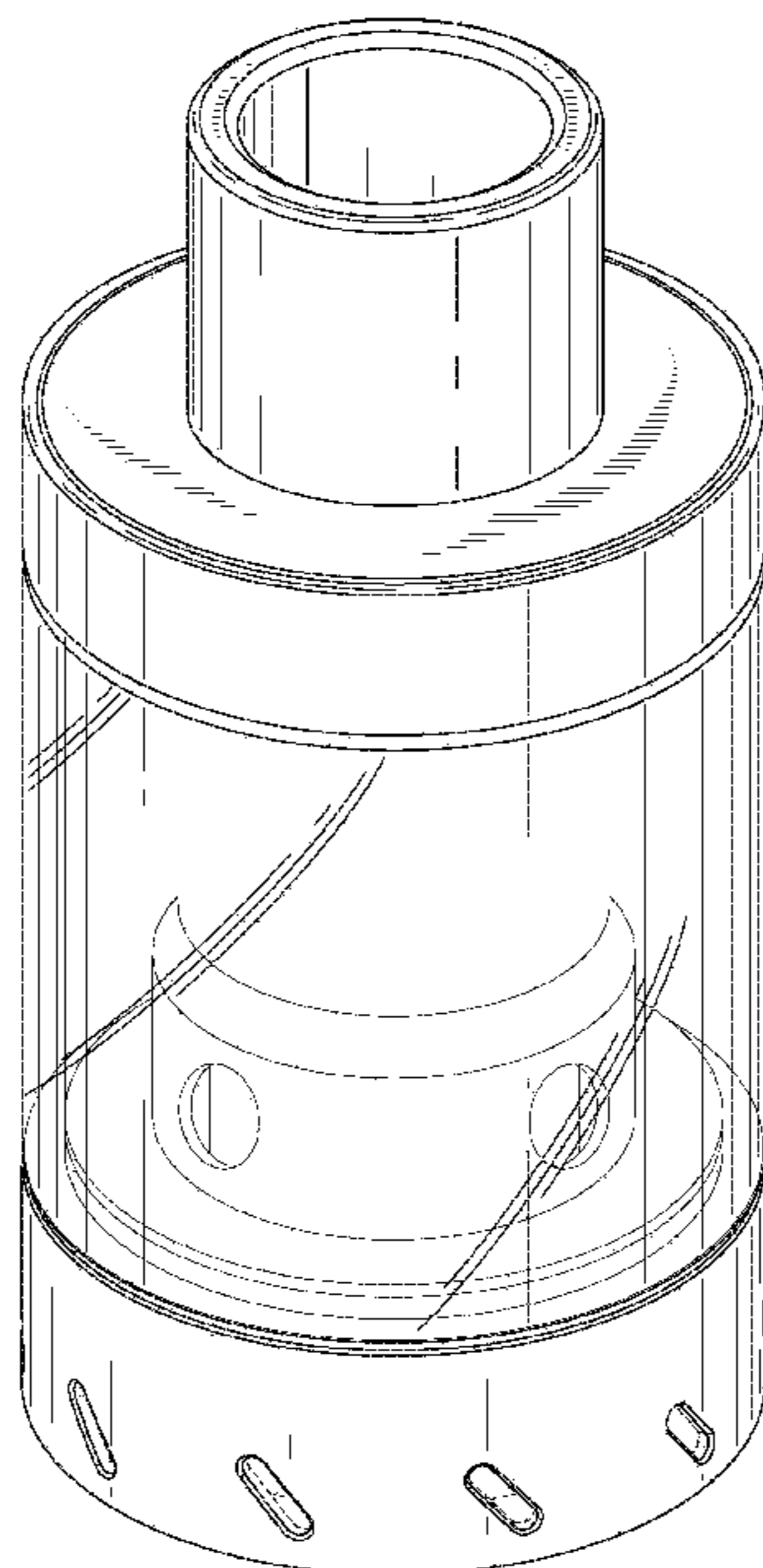
DESCRIPTION

U.S. PATENT DOCUMENTS

FIG. 1 is a front elevation view of an electronic cigarette;
FIG. 2 is a rear elevation view thereof;
FIG. 3 is a left-side elevation view thereof;
FIG. 4 is a right-side elevation view thereof;
FIG. 5 is a top plan view thereof;
FIG. 6 is a bottom plan view thereof;
FIG. 7 is a perspective view thereof; and,
FIG. 8 is a bottom perspective view thereof.
The broken lines in the drawings depict portions of the electronic cigarette that form no part of the claimed design.

D729,440 S * 5/2015 Liu D27/101
D771,307 S * 11/2016 Wu D27/101
D792,022 S * 7/2017 Li D27/167
D811,652 S * 2/2018 Liu D27/167
D826,471 S * 8/2018 Wang D27/167
D836,243 S * 12/2018 Liu D27/167
D861,978 S * 10/2019 Lai D27/167
D867,657 S * 11/2019 Fornarelli D27/194
D877,975 S * 3/2020 Crowe D27/162
D881,456 S * 4/2020 Chen D27/162
D882,165 S * 4/2020 Ouyang D27/162
D883,567 S * 5/2020 Liu D27/162

1 Claim, 8 Drawing Sheets



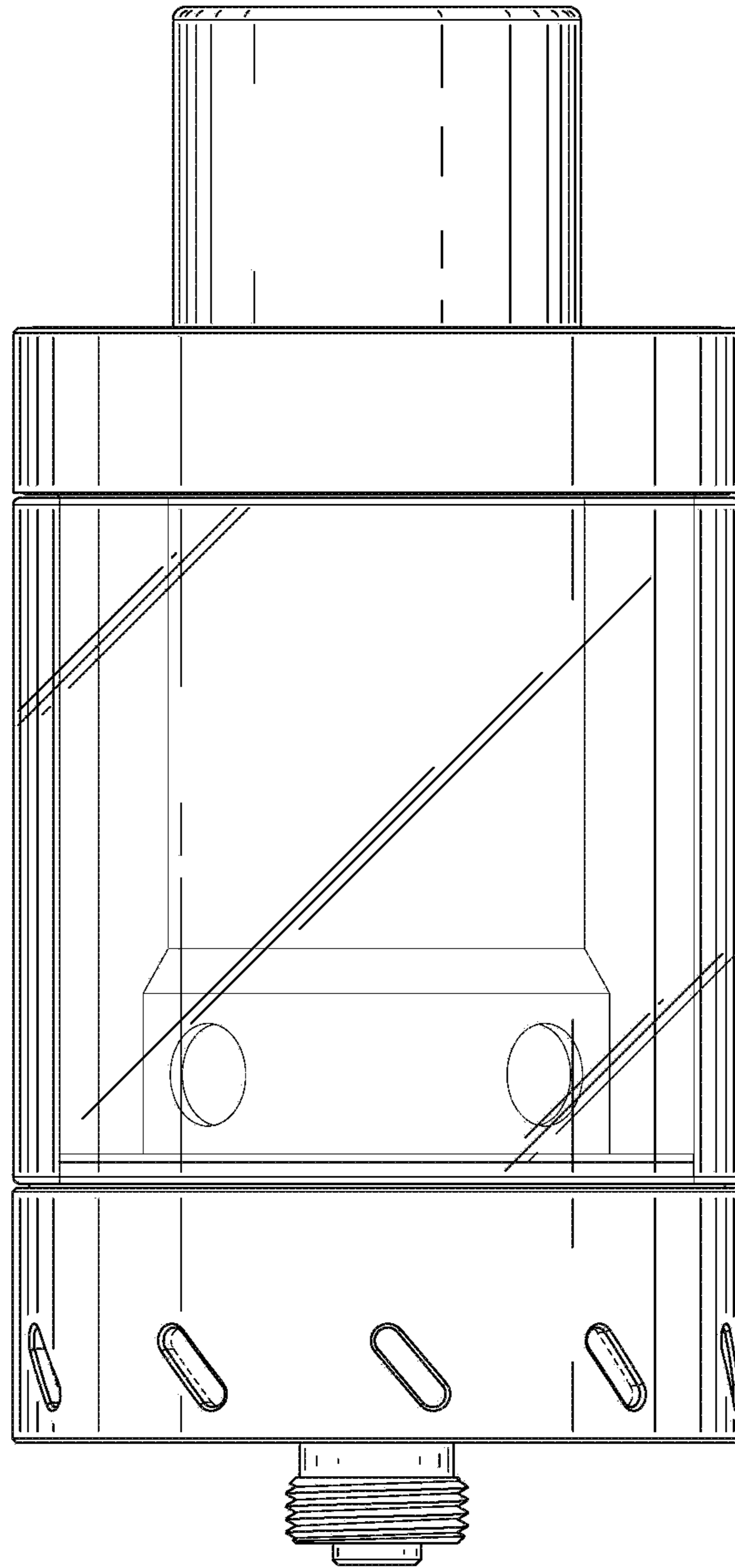


FIG. 1

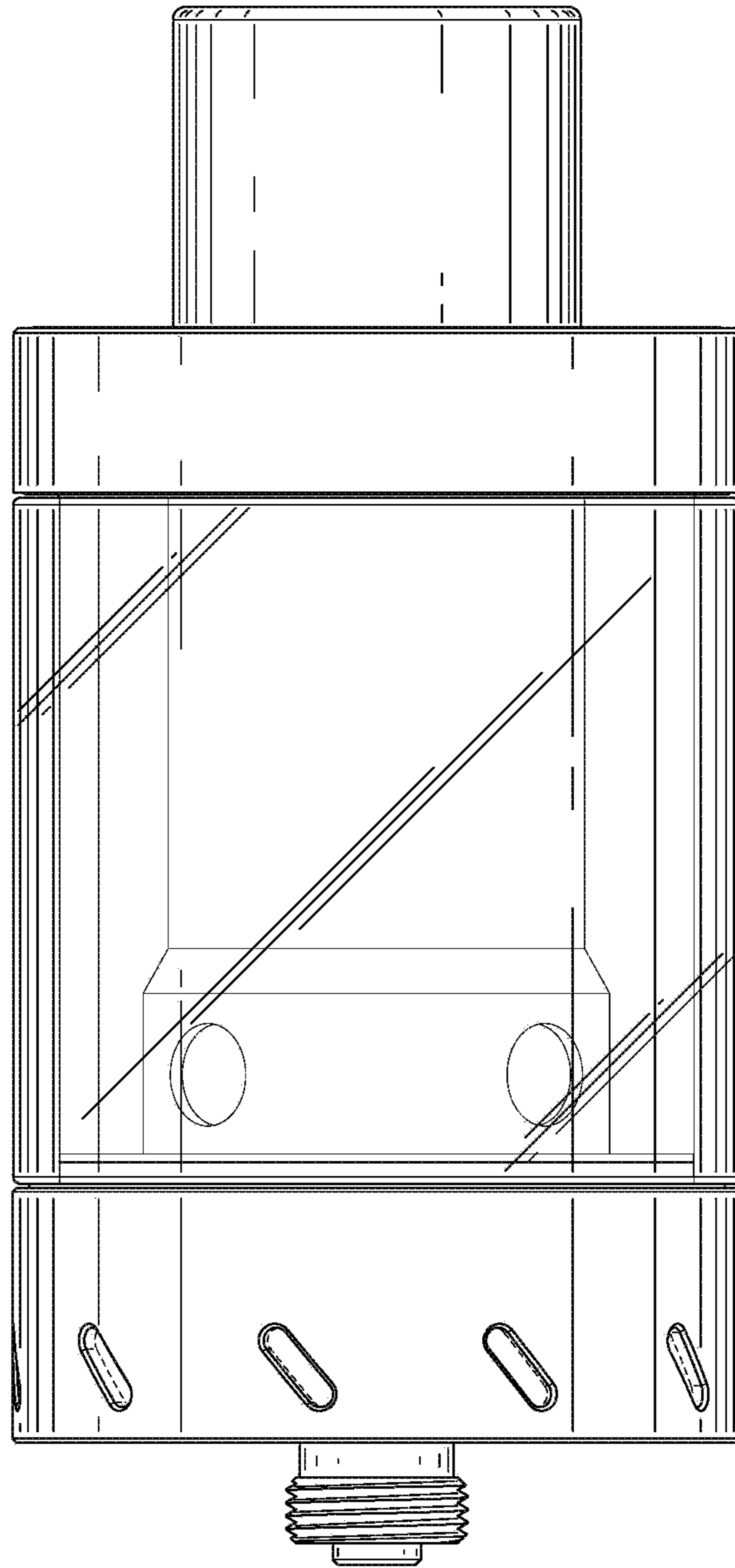


FIG. 2

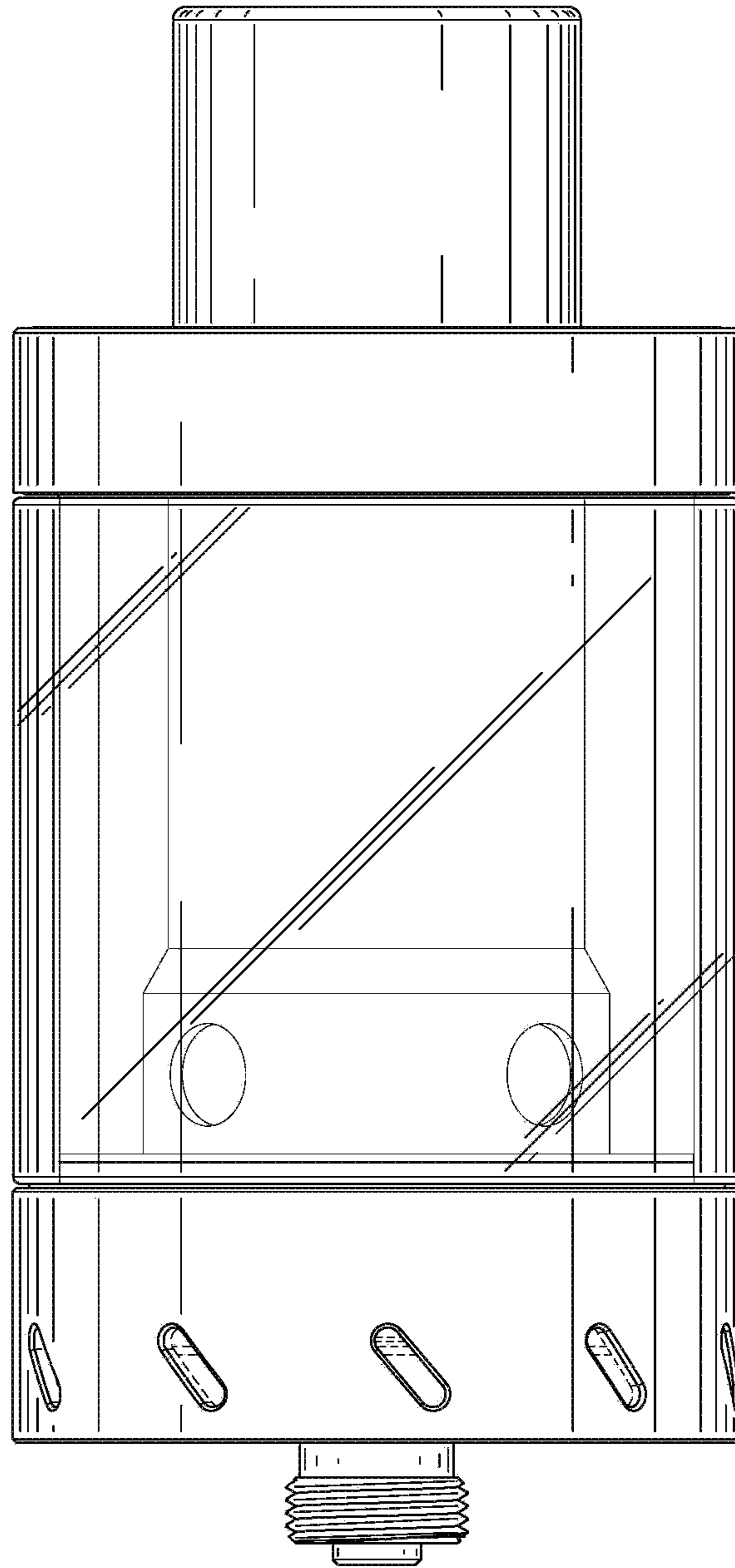


FIG. 3

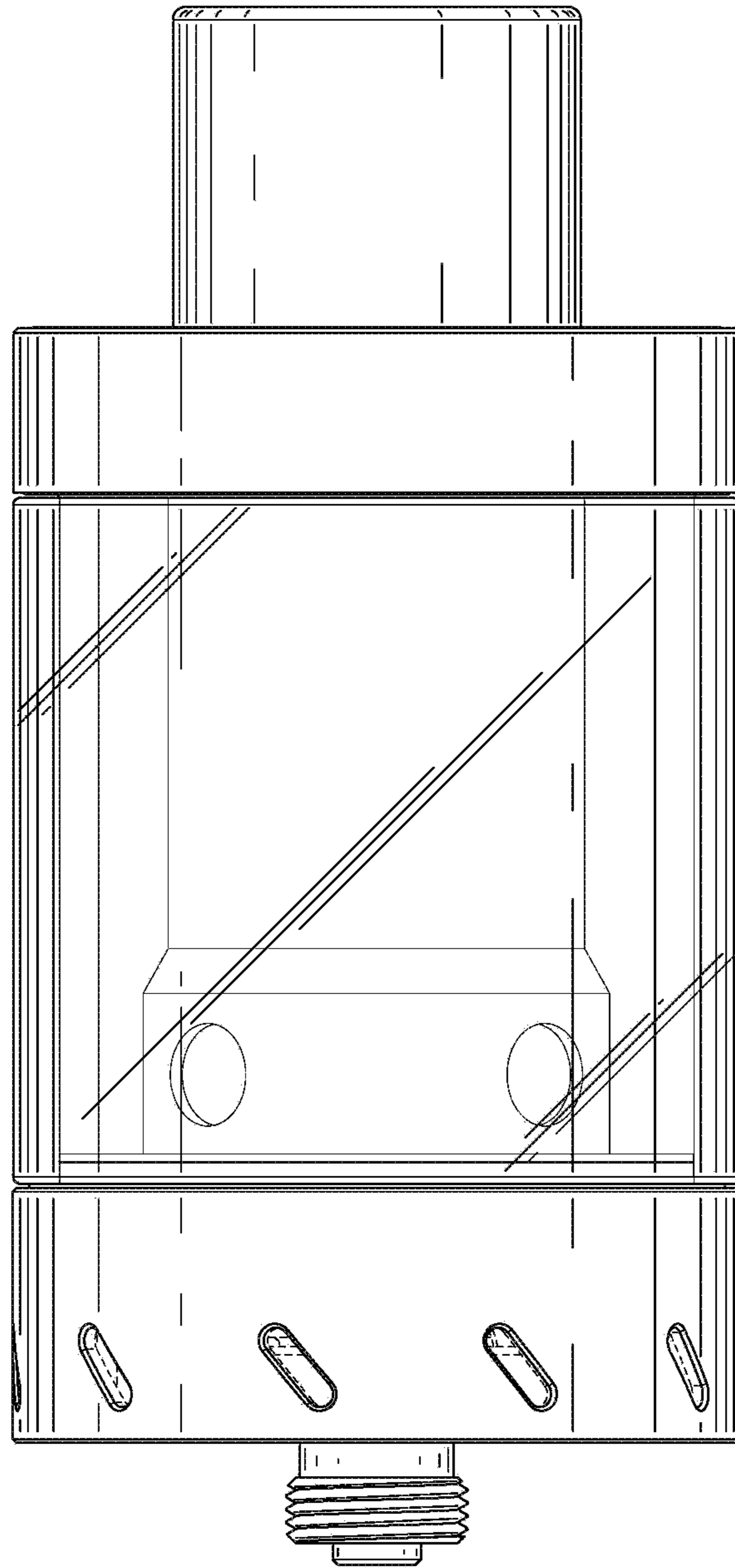


FIG. 4

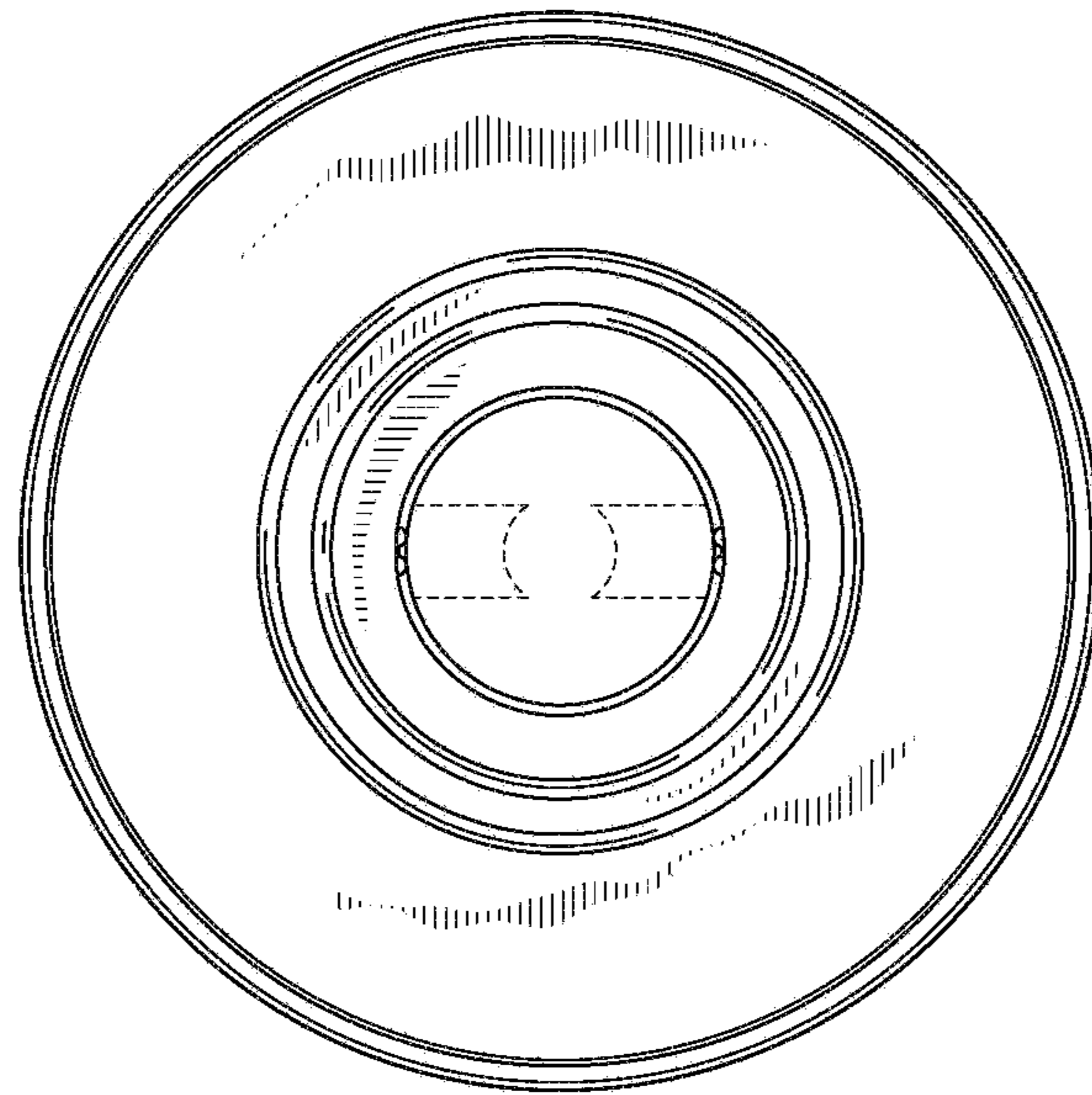


FIG. 5

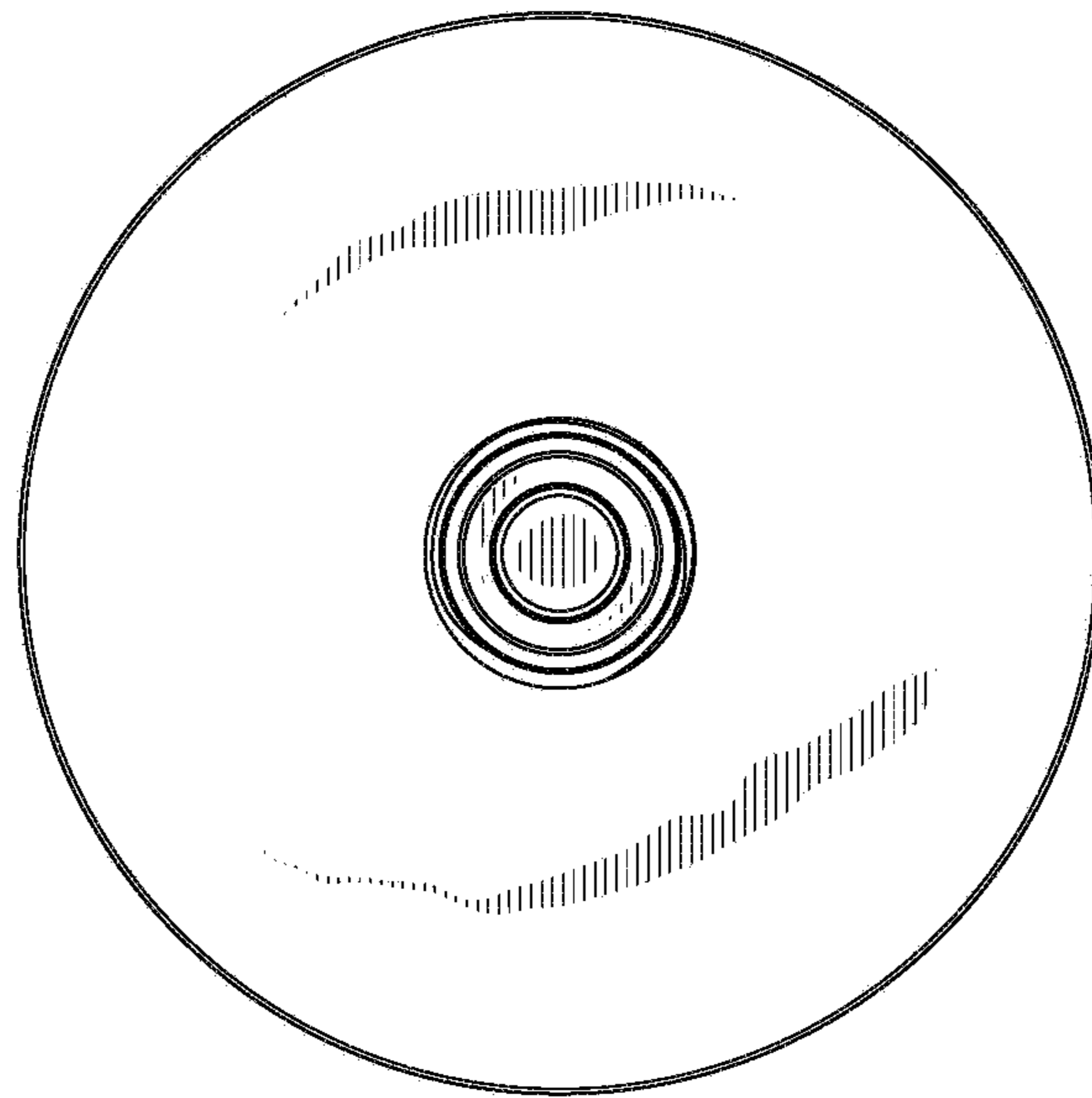


FIG. 6

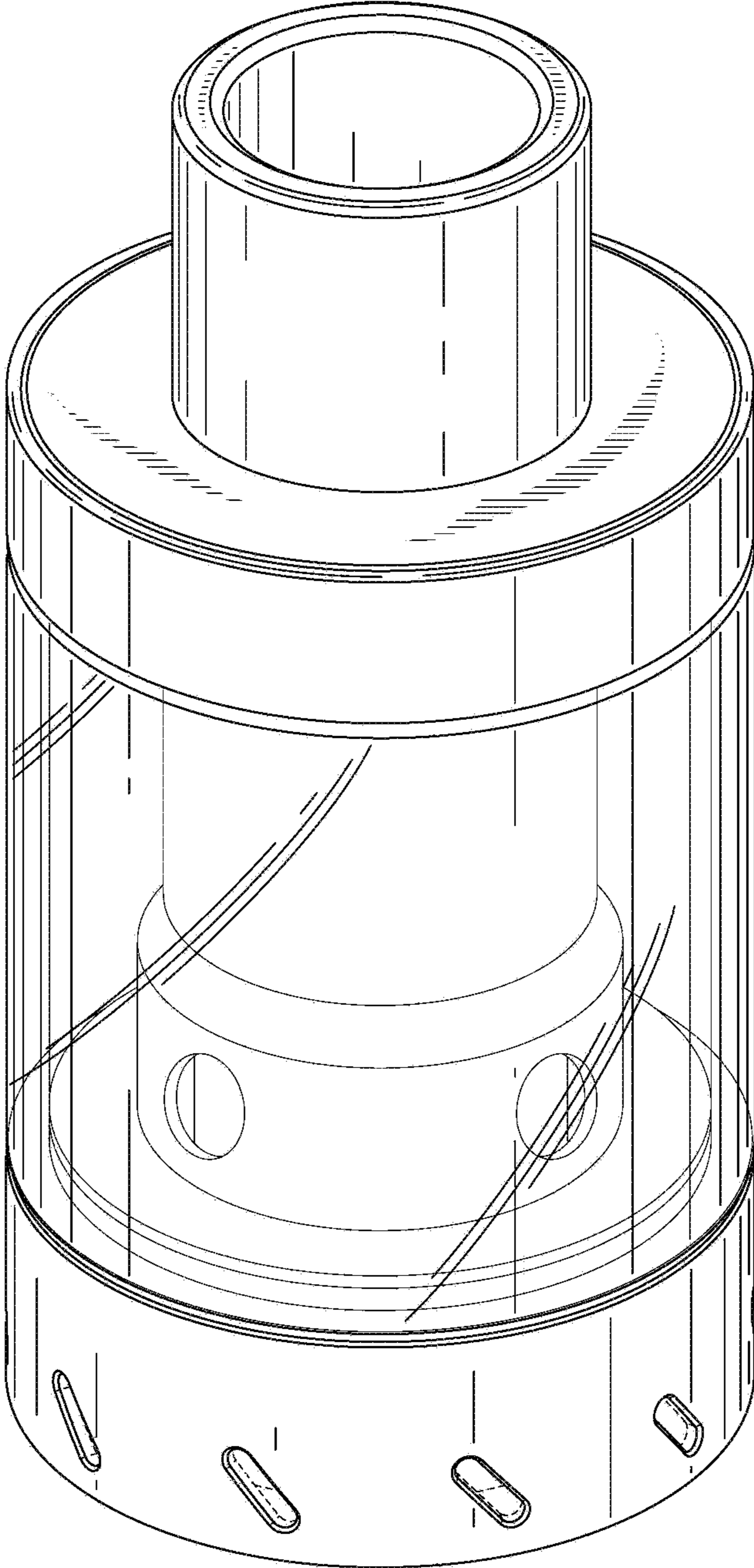


FIG. 7

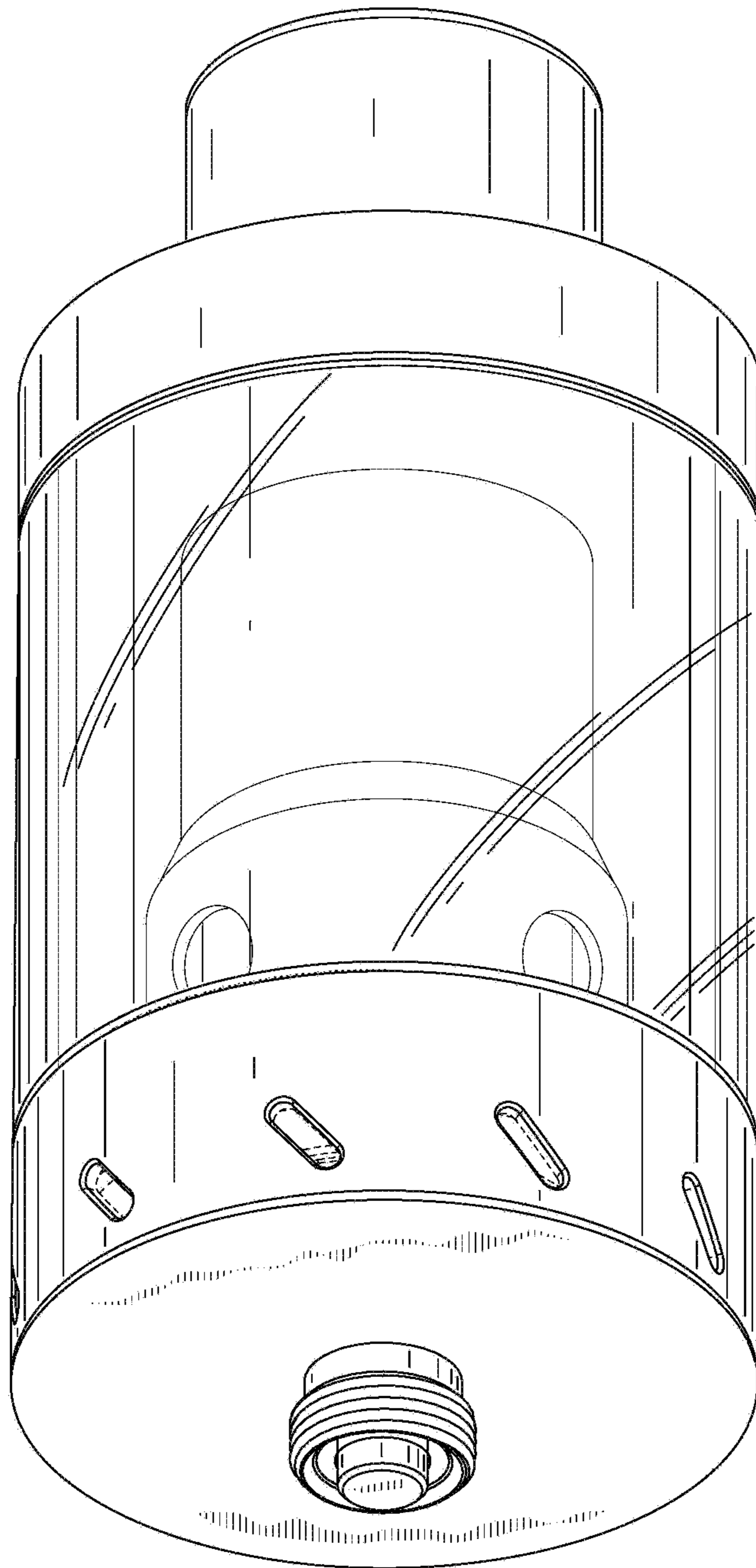


FIG. 8