

US00D926358S

(12) **United States Design Patent** (10) **Patent No.:** **US D926,358 S**  
**Liu** (45) **Date of Patent:** **\*\* Jul. 27, 2021**

(54) **ELECTRONIC CIGARETTE**  
(71) Applicant: **Tuanfang Liu**, Shenzhen (CN)  
(72) Inventor: **Tuanfang Liu**, Shenzhen (CN)  
(\*\*) Term: **15 Years**

D898,993 S \* 10/2020 Li ..... D27/167  
D900,387 S \* 10/2020 Liu ..... D27/162  
2016/0295920 A1\* 10/2016 Liu ..... A24F 47/008  
2017/0013881 A1\* 1/2017 Liu ..... A24F 47/008  
2018/0153222 A1\* 6/2018 Shen ..... A24F 47/008  
2018/0279683 A1\* 10/2018 Qiu ..... A24F 47/008

(21) Appl. No.: **29/712,760**  
(22) Filed: **Nov. 11, 2019**  
(30) **Foreign Application Priority Data**

May 24, 2019 (CN) ..... 201930261083.3

(51) **LOC (13) Cl.** ..... **27-02**  
(52) **U.S. Cl.**  
USPC ..... **D27/162**  
(58) **Field of Classification Search**  
USPC ..... D27/162, 100, 101, 163–165, 172,  
D27/174–176, 183, 185–194; D24/110,  
D24/110.5; D23/366  
CPC .... A24F 47/002; A24F 47/006; A24F 47/008;  
A61M 15/00; A61M 15/06  
See application file for complete search history.

**OTHER PUBLICATIONS**

Atomizer by Aspire found on line Nov. 20, 2020 <https://www.esmokeguru.com/el/mods-atomizers/atomizer/aspire-cleito-pro-black.html>.\*

\* cited by examiner

*Primary Examiner* — Marissa J Cash  
*Assistant Examiner* — Rebecca Tsehaye  
(74) *Attorney, Agent, or Firm* — Matthias Scholl P.C.;  
Matthias Scholl

(56) **References Cited**

**U.S. PATENT DOCUMENTS**

D729,440 S \* 5/2015 Liu ..... D27/101  
D771,307 S \* 11/2016 Wu ..... D27/101  
D792,022 S \* 7/2017 Li ..... D27/167  
D811,652 S \* 2/2018 Liu ..... D27/167  
D826,471 S \* 8/2018 Wang ..... D27/167  
D836,243 S \* 12/2018 Liu ..... D27/167  
D861,978 S \* 10/2019 Lai ..... D27/167  
D867,657 S \* 11/2019 Fornarelli ..... D27/194  
D877,975 S \* 3/2020 Crowe ..... D27/162  
D881,456 S \* 4/2020 Chen ..... D27/162  
D882,165 S \* 4/2020 Ouyang ..... D27/162  
D883,567 S \* 5/2020 Liu ..... D27/162

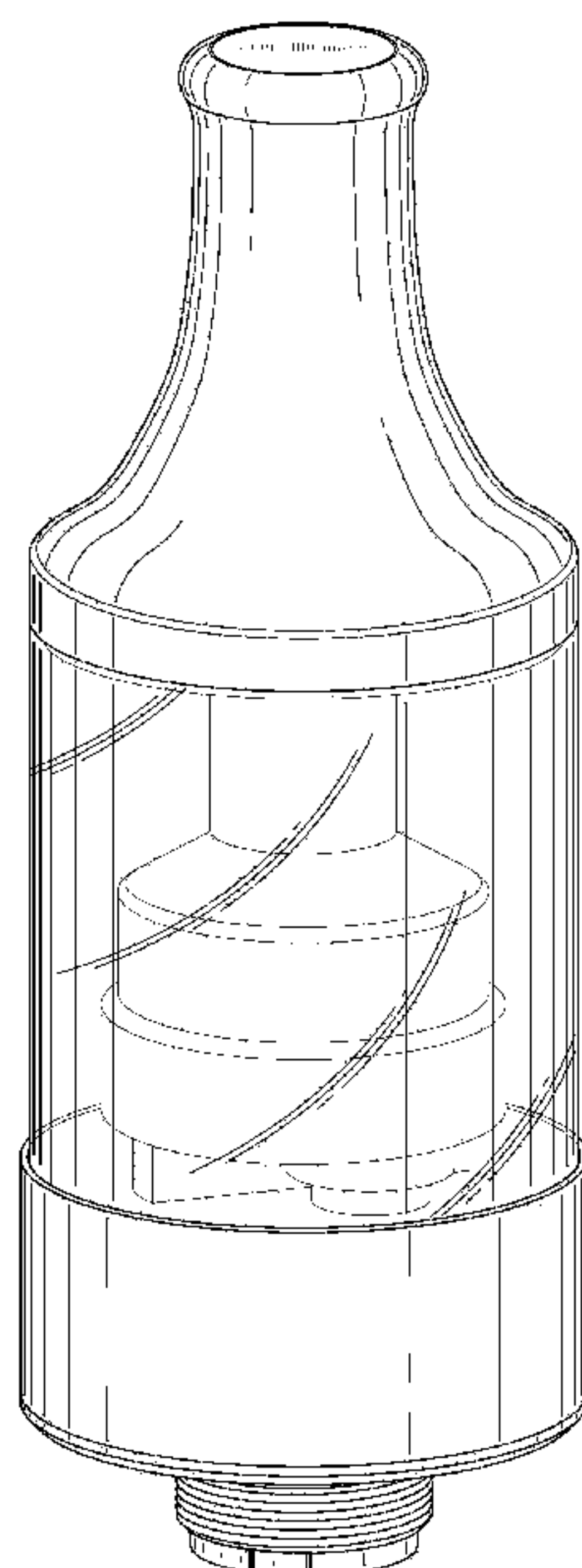
(57) **CLAIM**

The ornamental design for an electronic cigarette, as shown and described.

**DESCRIPTION**

FIG. 1 is a front elevation view of an electronic cigarette; FIG. 2 is a rear elevation view thereof; FIG. 3 is a left-side elevation view thereof; FIG. 4 is a right-side elevation view thereof; FIG. 5 is a top plan view thereof; FIG. 6 is a bottom plan view thereof; FIG. 7 is a perspective view thereof; and, FIG. 8 is a bottom perspective view thereof. The broken lines shown in the drawings depict portions of the electronic cigarette that form no part of the claim.

**1 Claim, 8 Drawing Sheets**



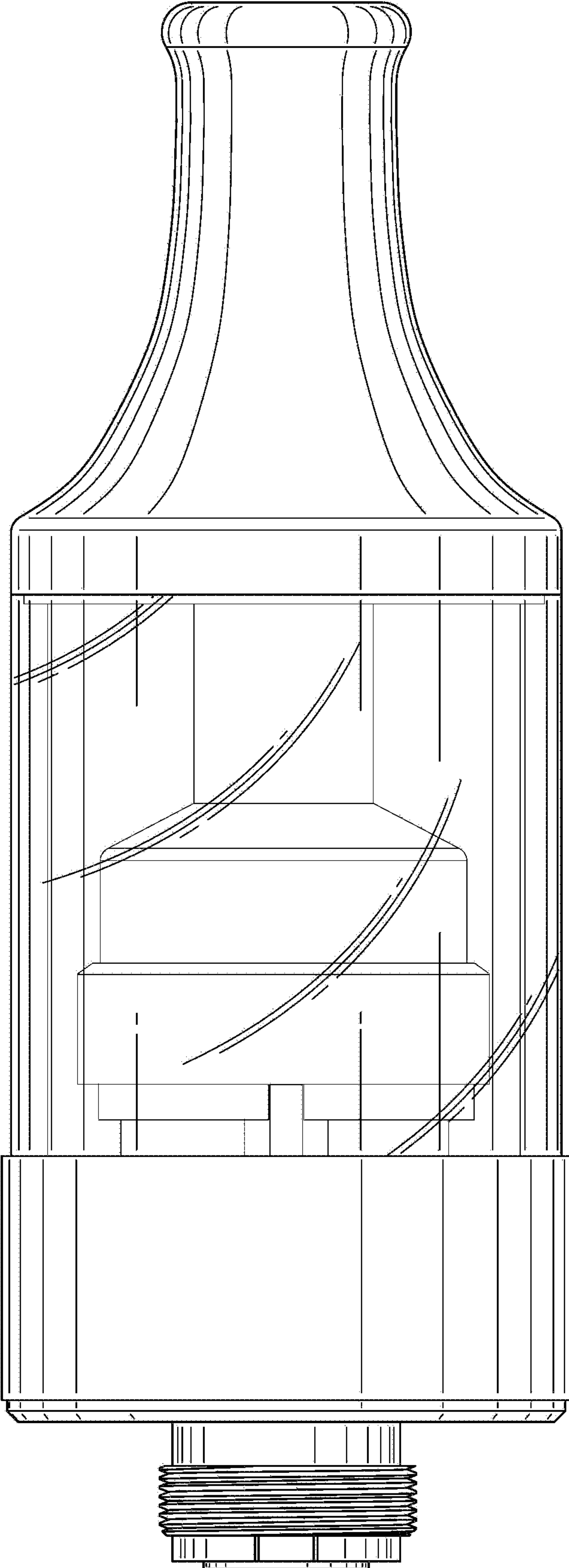


FIG. 1

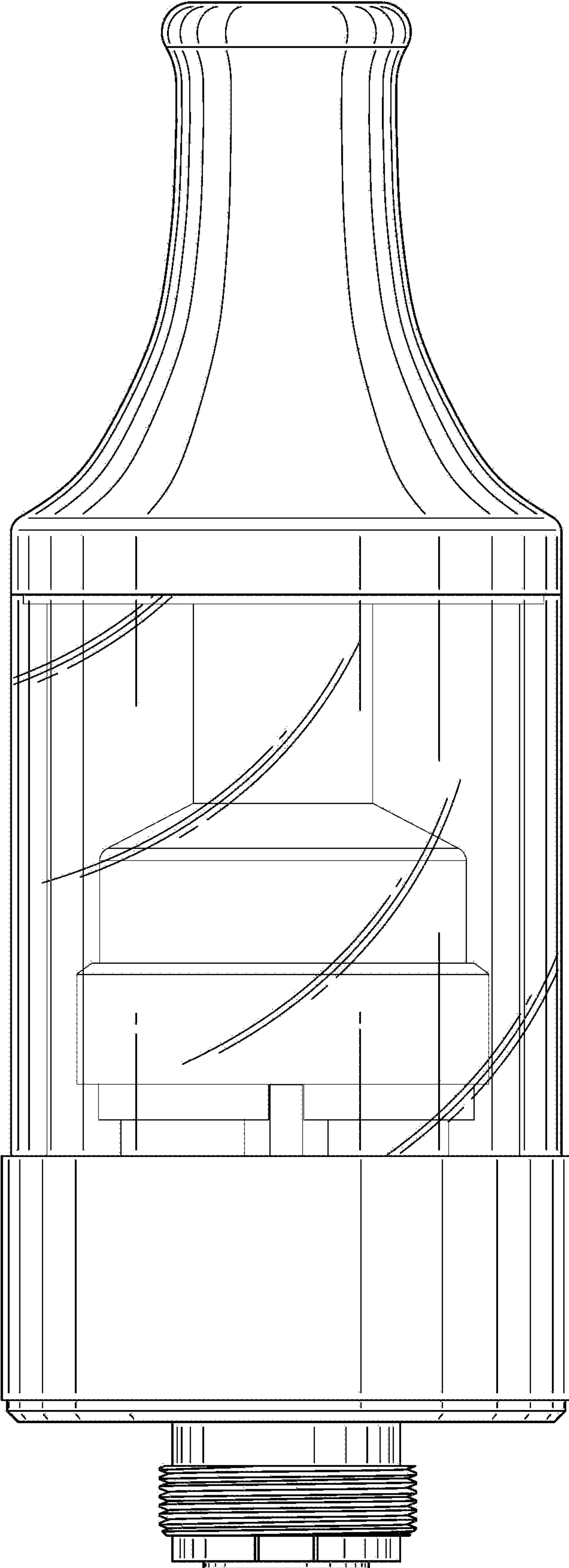


FIG. 2

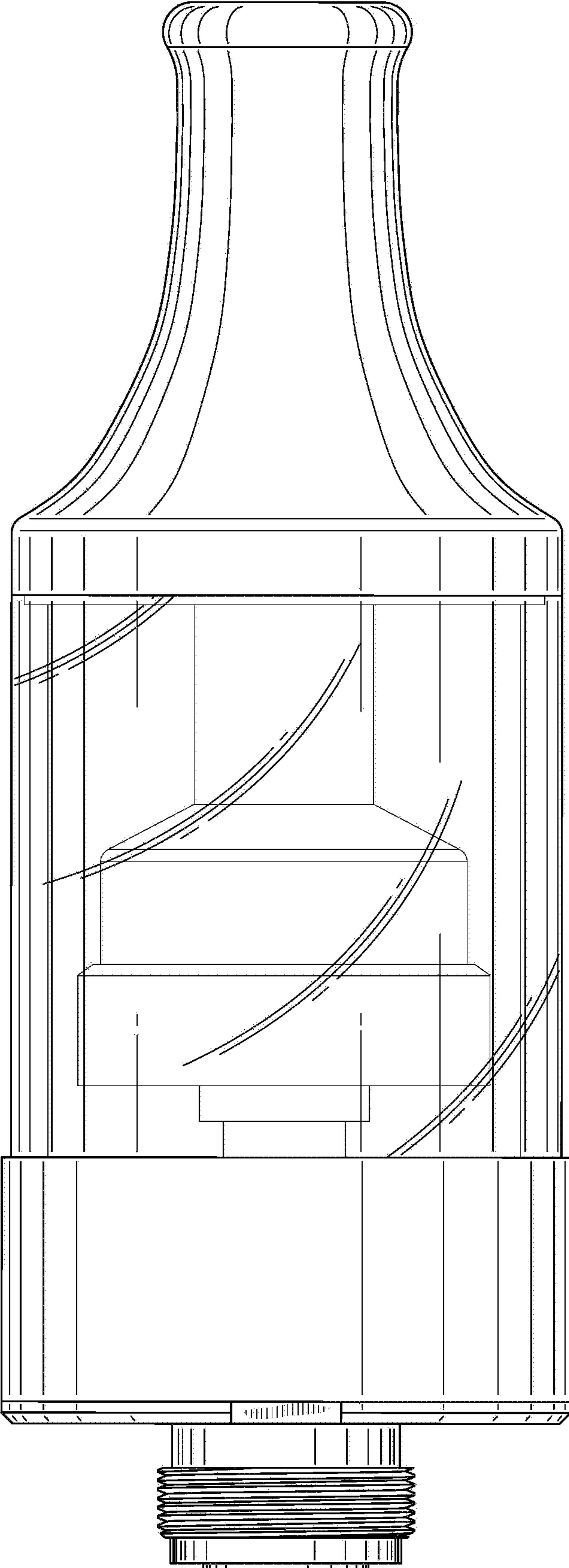


FIG. 3

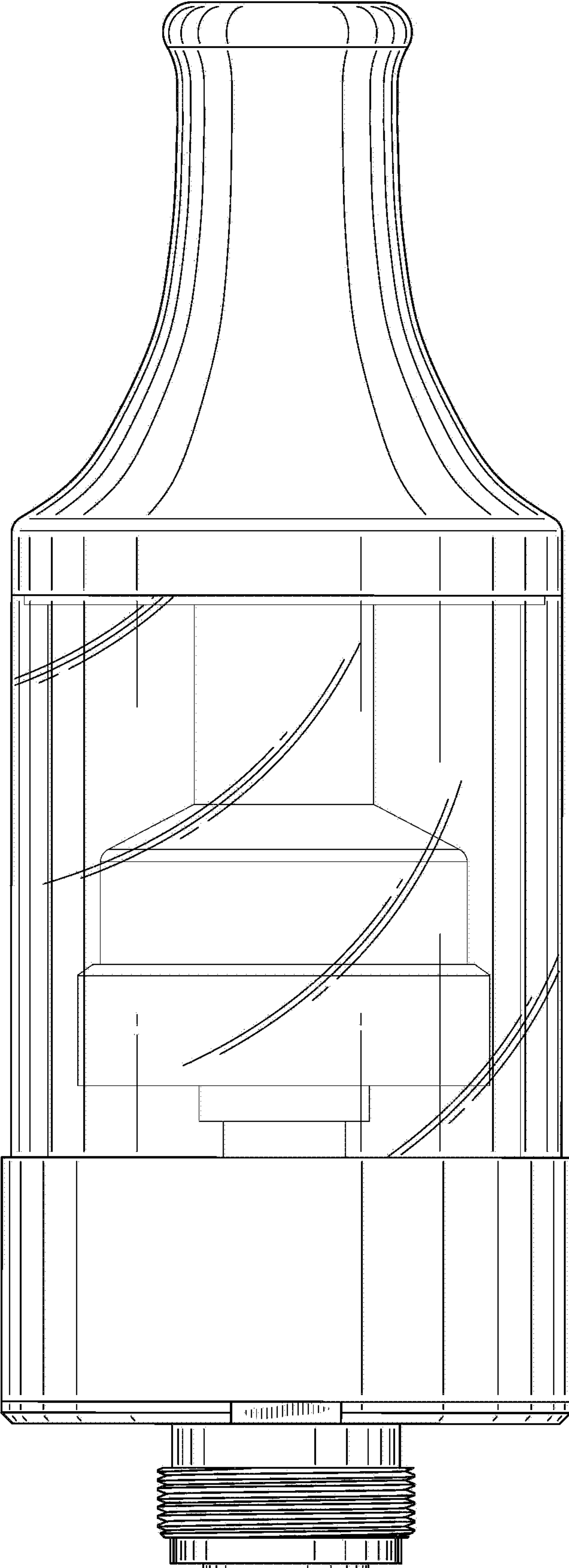
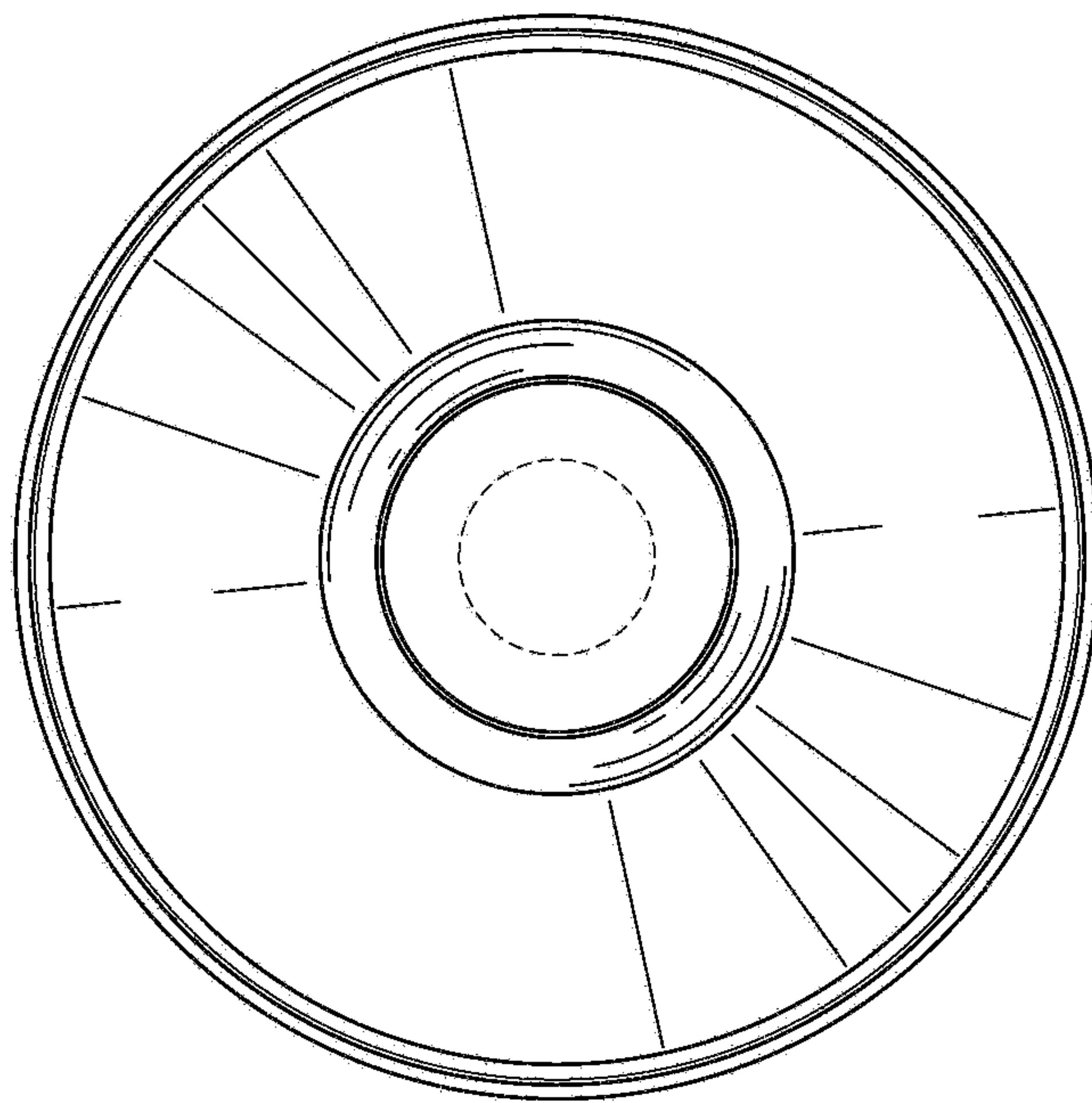
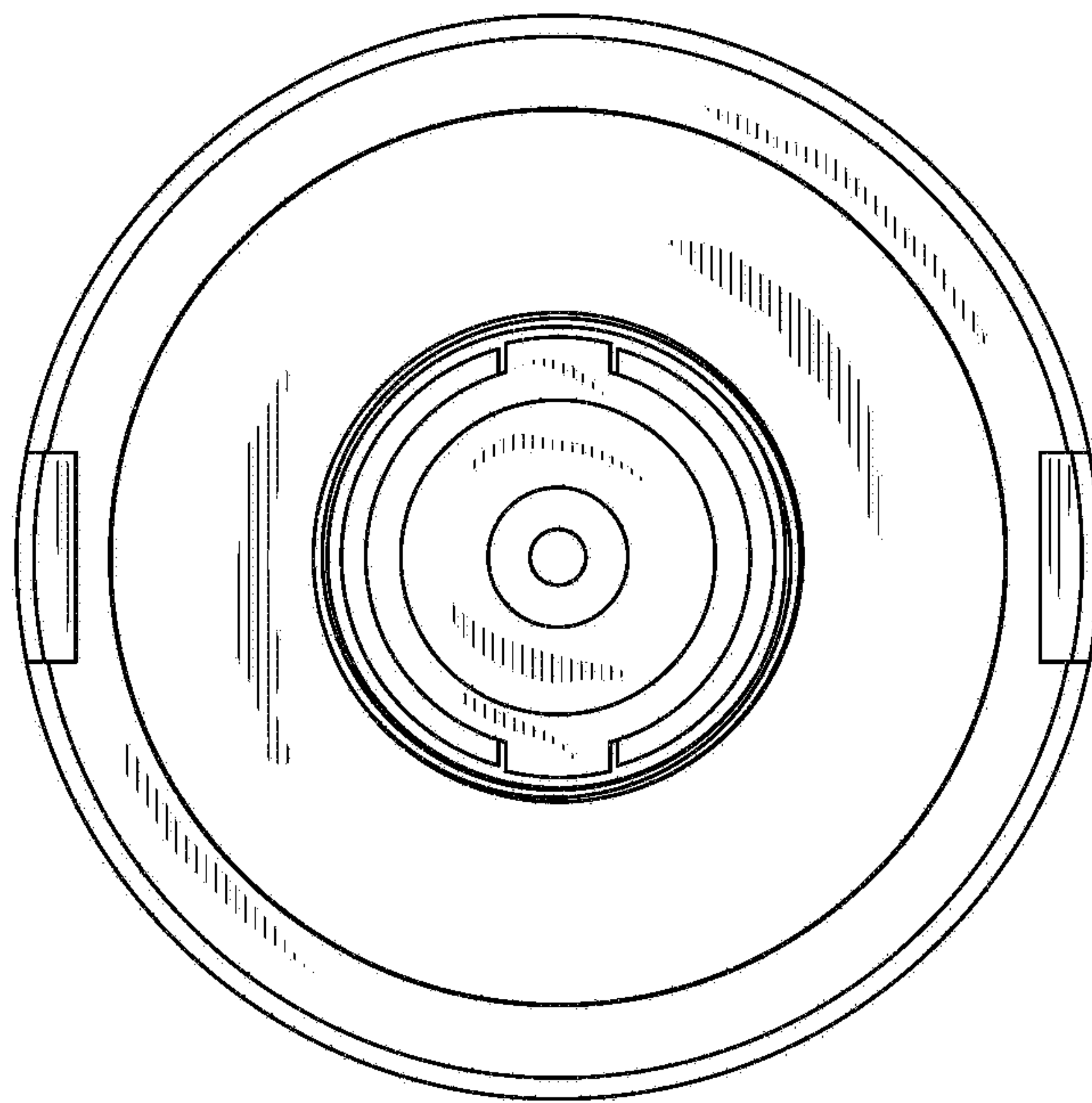


FIG. 4

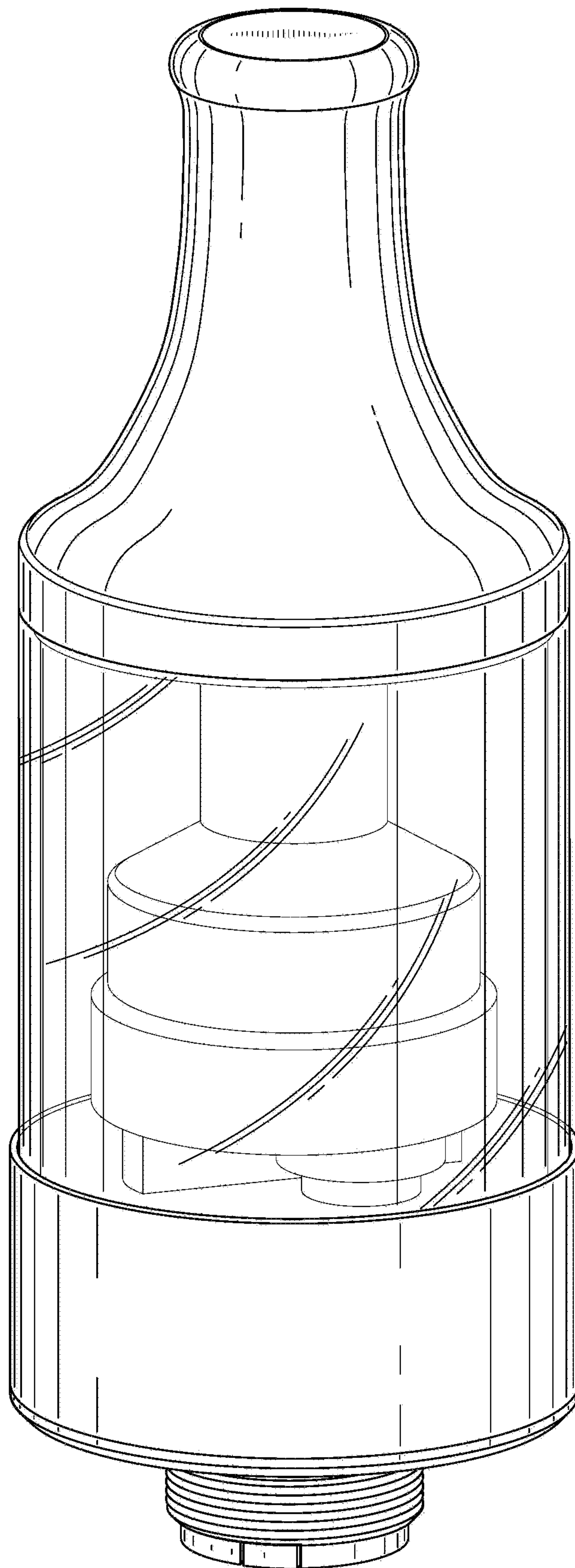


**FIG. 5**



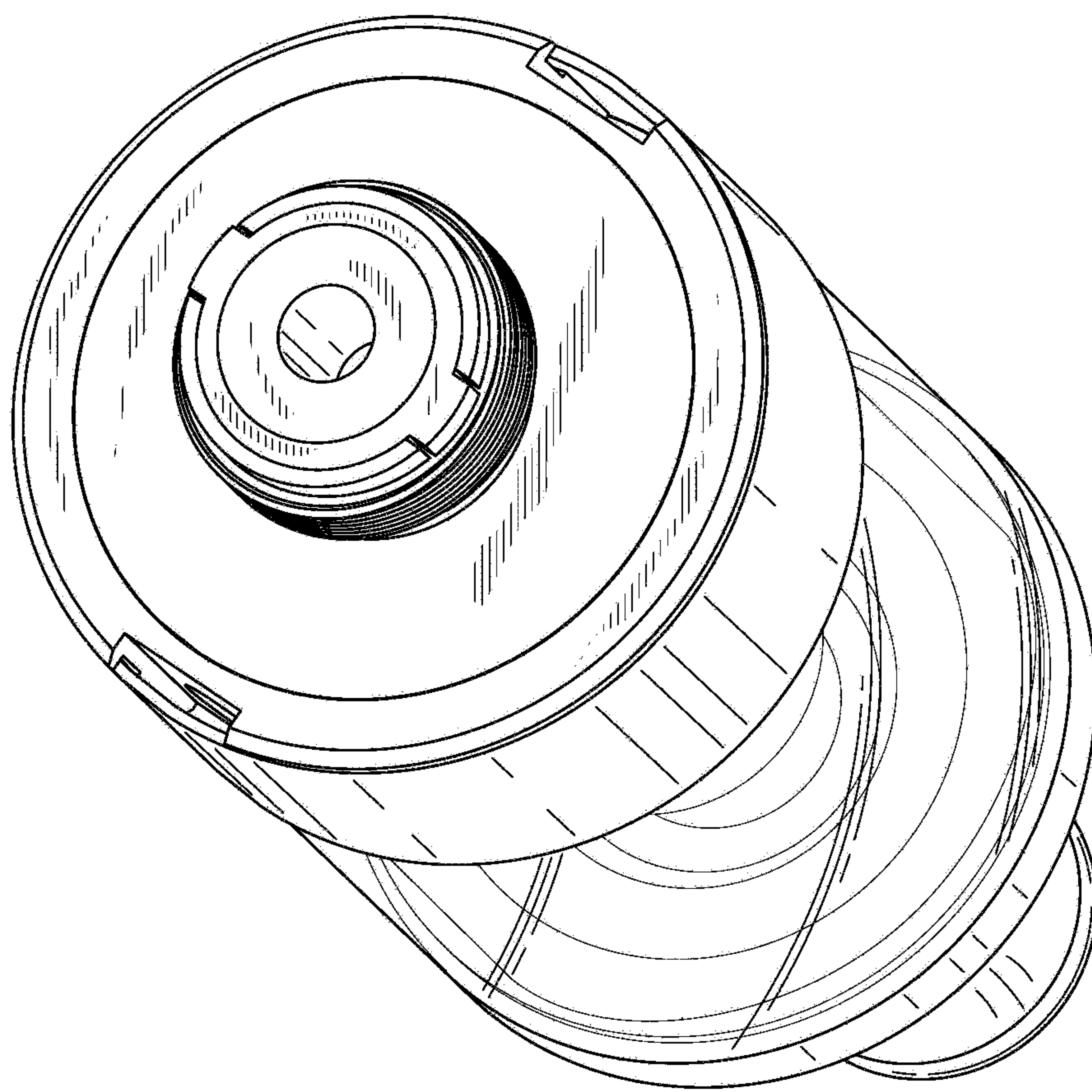


**FIG. 6**



**FIG. 7**





**FIG. 8**