



US00D926355S

(12) **United States Design Patent** (10) **Patent No.:** **US D926,355 S**  
**Liu et al.** (45) **Date of Patent:** **\*\* \*Jul. 27, 2021**

(54) **SET OF TOBACCO HEATING DEVICE AND CHARGER**

(71) Applicant: **Hubei China Tobacco Industry Co., Ltd.**, Hubei (CN)

(72) Inventors: **Huachen Liu**, Hubei (CN); **Dan Li**, Hubei (CN); **Yikun Chen**, Hubei (CN)

(\*) Notice: This patent is subject to a terminal disclaimer.

(\*\*) Term: **15 Years**

(21) Appl. No.: **29/676,294**

(22) Filed: **Jan. 10, 2019**

(30) **Foreign Application Priority Data**

Jul. 11, 2018 (CN) ..... 201830372717.8

(51) **LOC (13) Cl.** ..... **27-02**

(52) **U.S. Cl.**  
USPC ..... **D27/162**

(58) **Field of Classification Search**  
USPC ..... D27/162, 100, 101, 163–165, 172, 174, D27/183, 185–194; D24/110, 110.5; 128/202.21, 203.12; 131/273, 274, 270, 131/191, 328, 329, 330, 360–365; D13/107–109  
CPC .... A24F 47/002; A24F 47/006; A24F 47/008; A61M 15/00; A61M 15/06  
See application file for complete search history.

(56) **References Cited**

**U.S. PATENT DOCUMENTS**

D647,247 S \* 10/2011 Jones ..... D27/163  
D711,318 S \* 8/2014 Xinfang ..... D13/108  
D729,444 S \* 5/2015 Leidel ..... D27/163  
D747,265 S \* 1/2016 Marini ..... D13/107  
D748,325 S \* 1/2016 Leidel ..... D27/163  
D786,790 S \* 5/2017 Miller ..... D13/108

D792,020 S \* 7/2017 Mendoza ..... D27/101  
D808,073 S \* 1/2018 Leidel ..... D27/162  
D829,982 S \* 10/2018 Wang ..... D27/167  
D829,983 S \* 10/2018 Wang ..... D27/167  
D838,669 S \* 1/2019 Miller ..... D13/108  
D849,994 S \* 5/2019 Yan ..... D27/163  
D869,086 S \* 12/2019 Pan ..... D27/162  
D870,034 S \* 12/2019 Lai ..... D13/103  
D881,459 S \* 4/2020 Ouyang ..... D27/162  
D885,332 S \* 5/2020 Han ..... D13/108  
D885,337 S \* 5/2020 Xu ..... D13/108

(Continued)

**OTHER PUBLICATIONS**

<https://root-nation.com/en/other-en/e-cigarettes-en/en-glo-review/> (Jun. 2, 2020).\*

*Primary Examiner* — Marissa J Cash

*Assistant Examiner* — Rebecca Tsehaye

(74) *Attorney, Agent, or Firm* — Prakash Nama; Global IP Services, PLLC

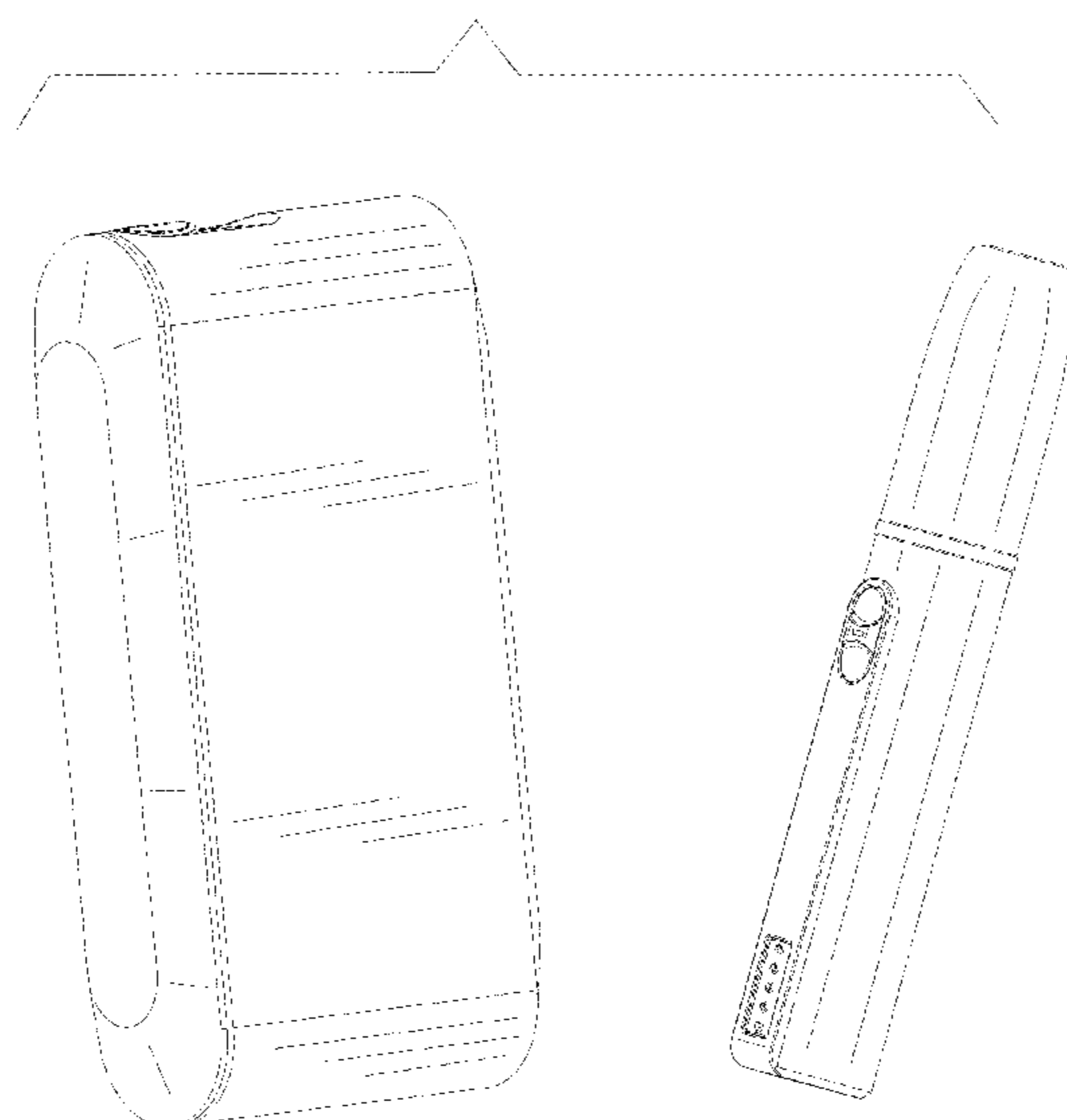
(57) **CLAIM**

The ornamental design for a set of tobacco heating device and charger, as shown and described.

**DESCRIPTION**

FIG. 1 is a perspective view of a set of tobacco heating device and charger showing our new design; FIG. 2 is a front elevational view thereof; FIG. 3 is a rear elevational view thereof; FIG. 4 is a left side view thereof; FIG. 5 is a right side view thereof; FIG. 6 is a top plan view thereof; FIG. 7 is a bottom plan view thereof; FIG. 8 is a perspective view with the lid pulled out for a clarity of disclosure thereof; and, FIG. 9 is another perspective view in the state of use thereof. The broken lines in FIG. 9 illustrate environmental subject matter that form no part of the claimed design.

**1 Claim, 9 Drawing Sheets**



(56)

**References Cited**

U.S. PATENT DOCUMENTS

D886,059 S *	6/2020	Hu	.....	D13/108
D886,366 S *	6/2020	Liu	.....	D27/162
D897,596 S *	9/2020	Huang	.....	D27/162
D898,280 S *	10/2020	Li	.....	D27/162
D898,990 S *	10/2020	Liu	.....	D27/162
2018/0013175 A1 *	1/2018	Liu	.....	A24F 47/008

\* cited by examiner

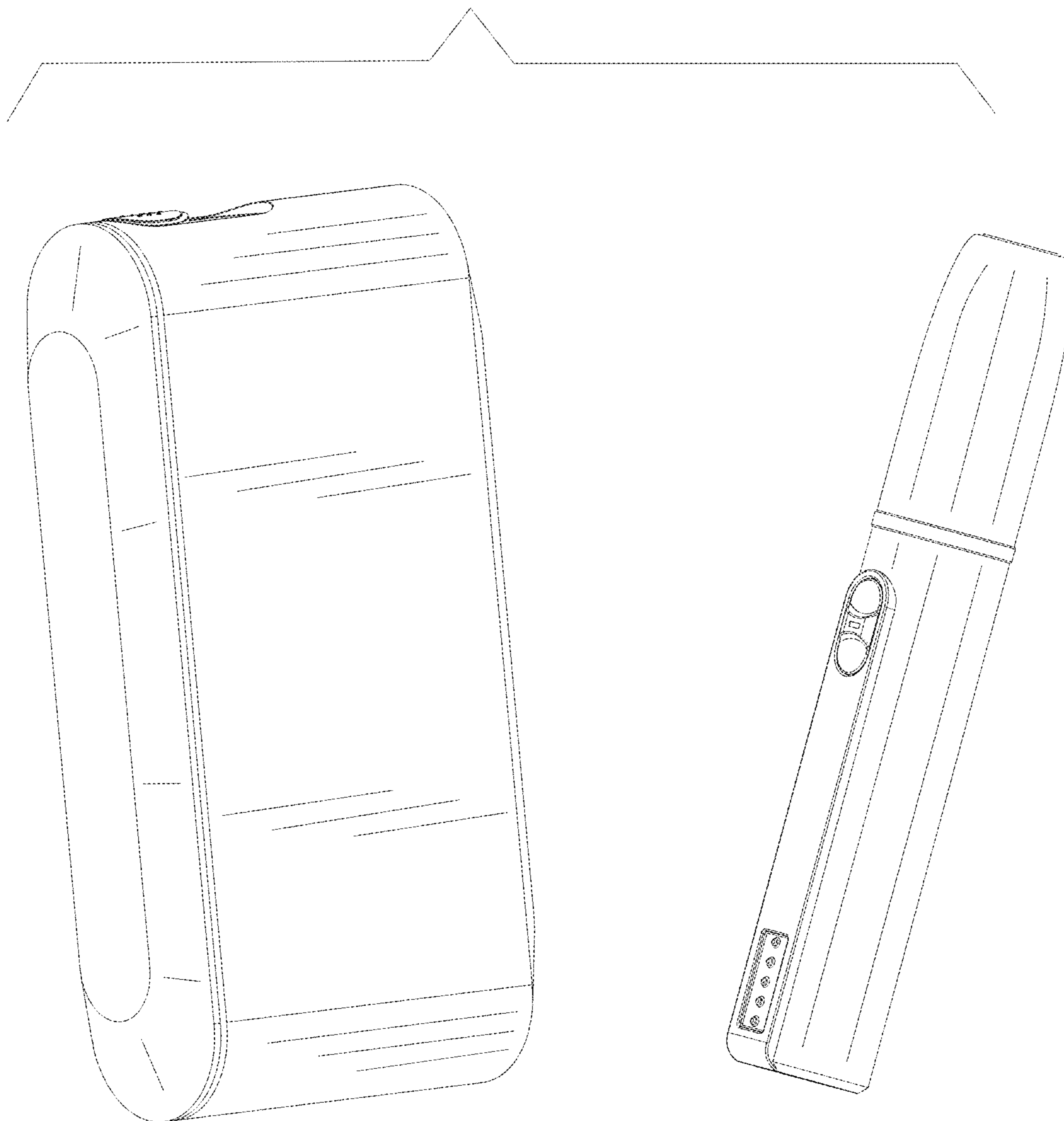


FIG. 1

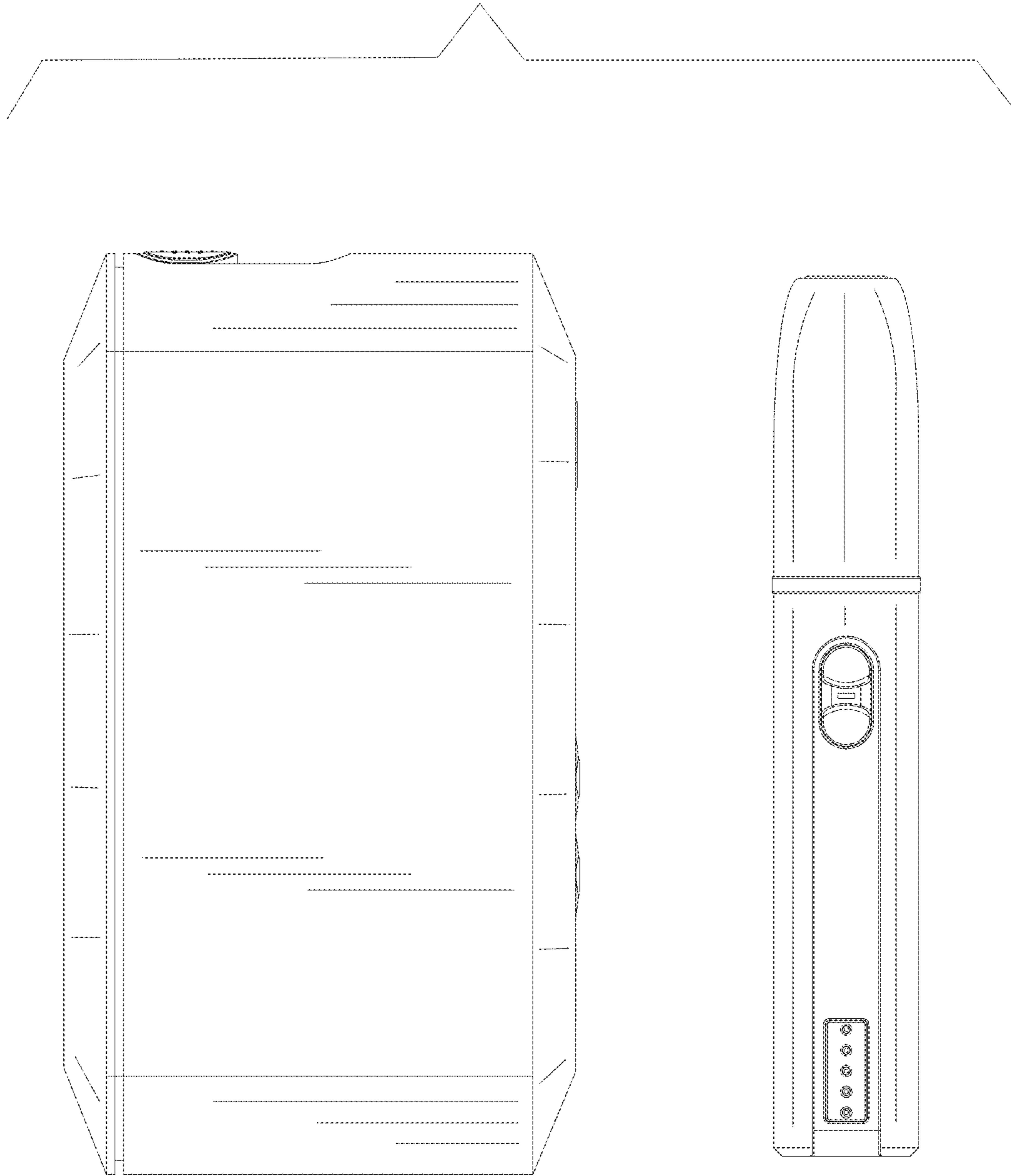


FIG. 2

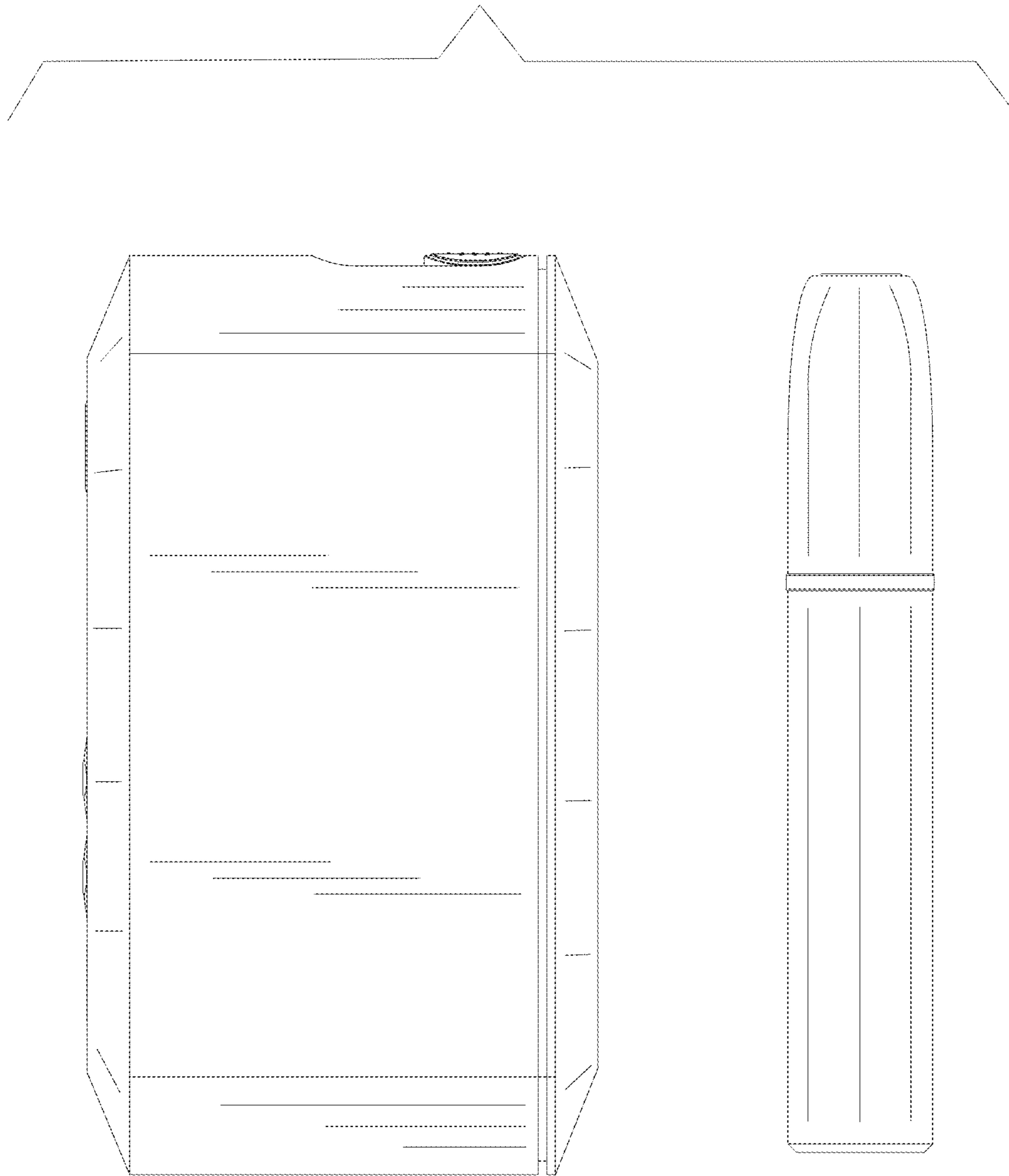


FIG. 3

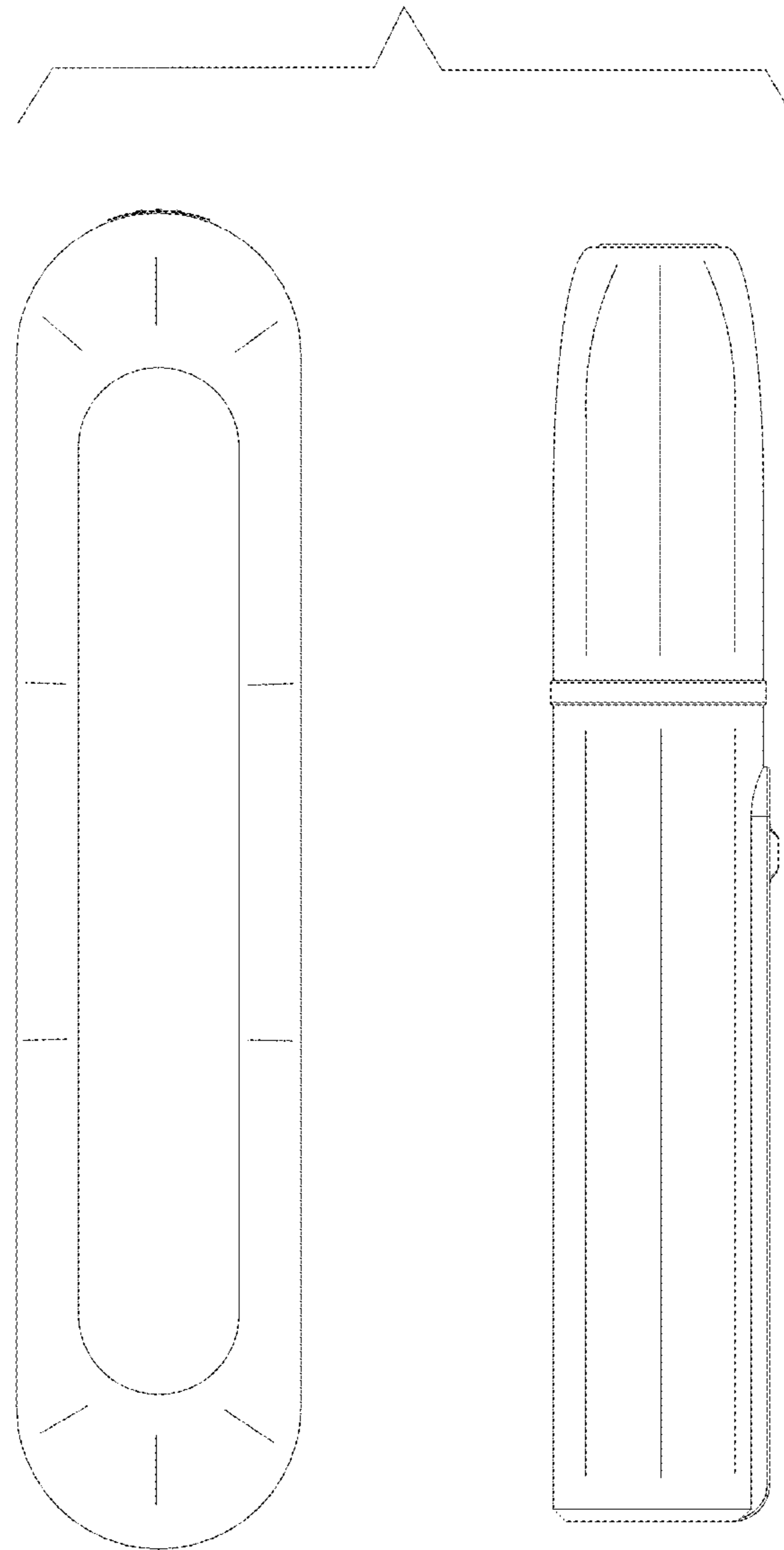


FIG. 4

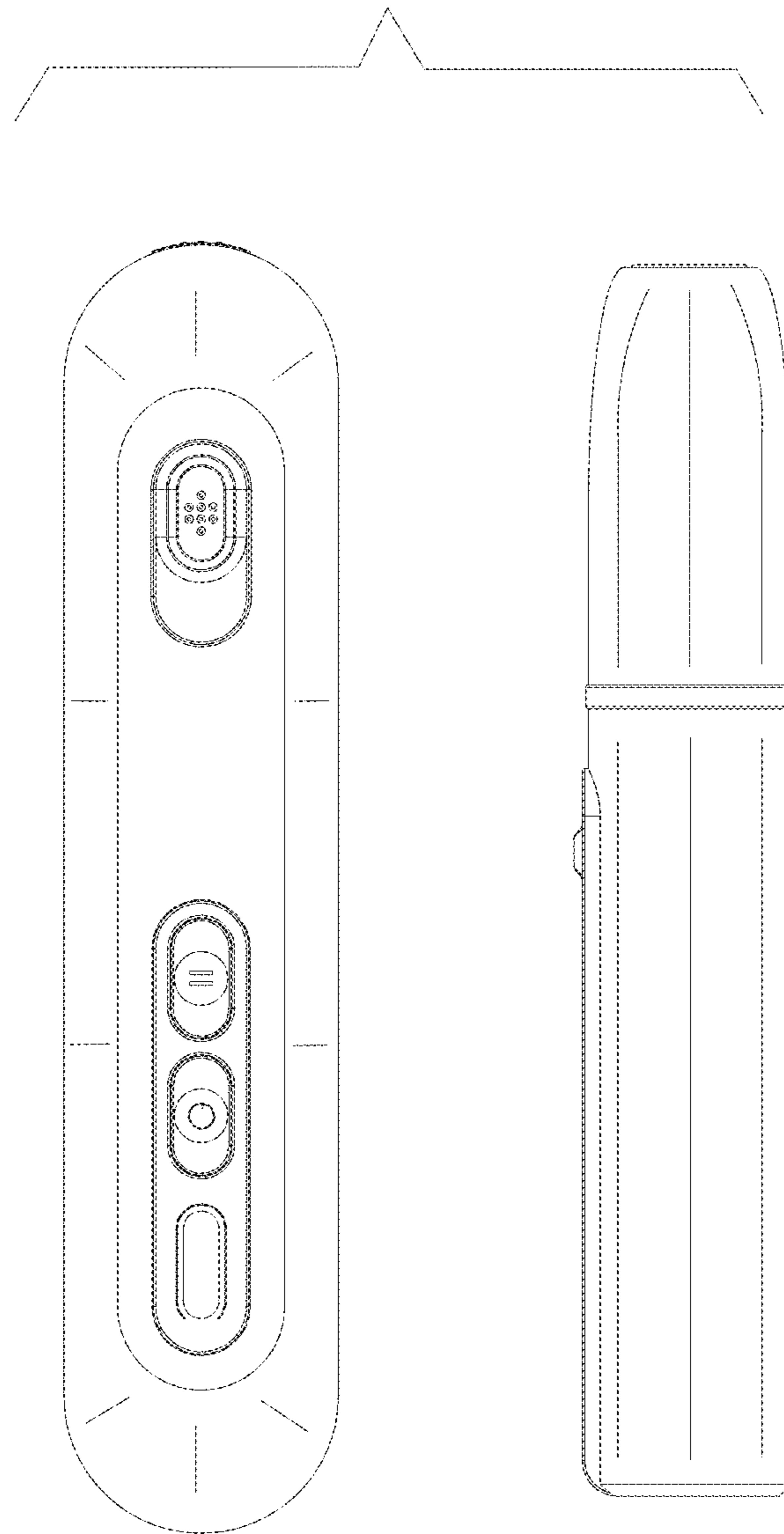


FIG. 5



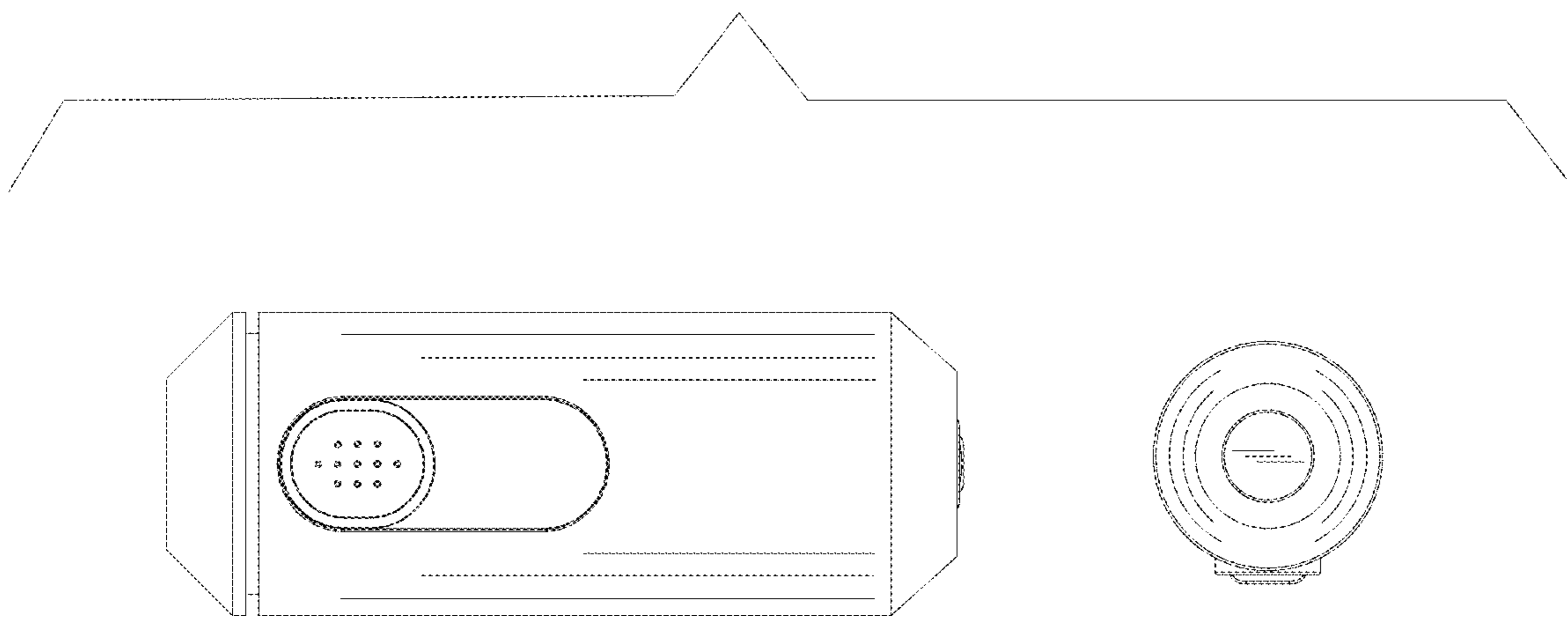


FIG. 6



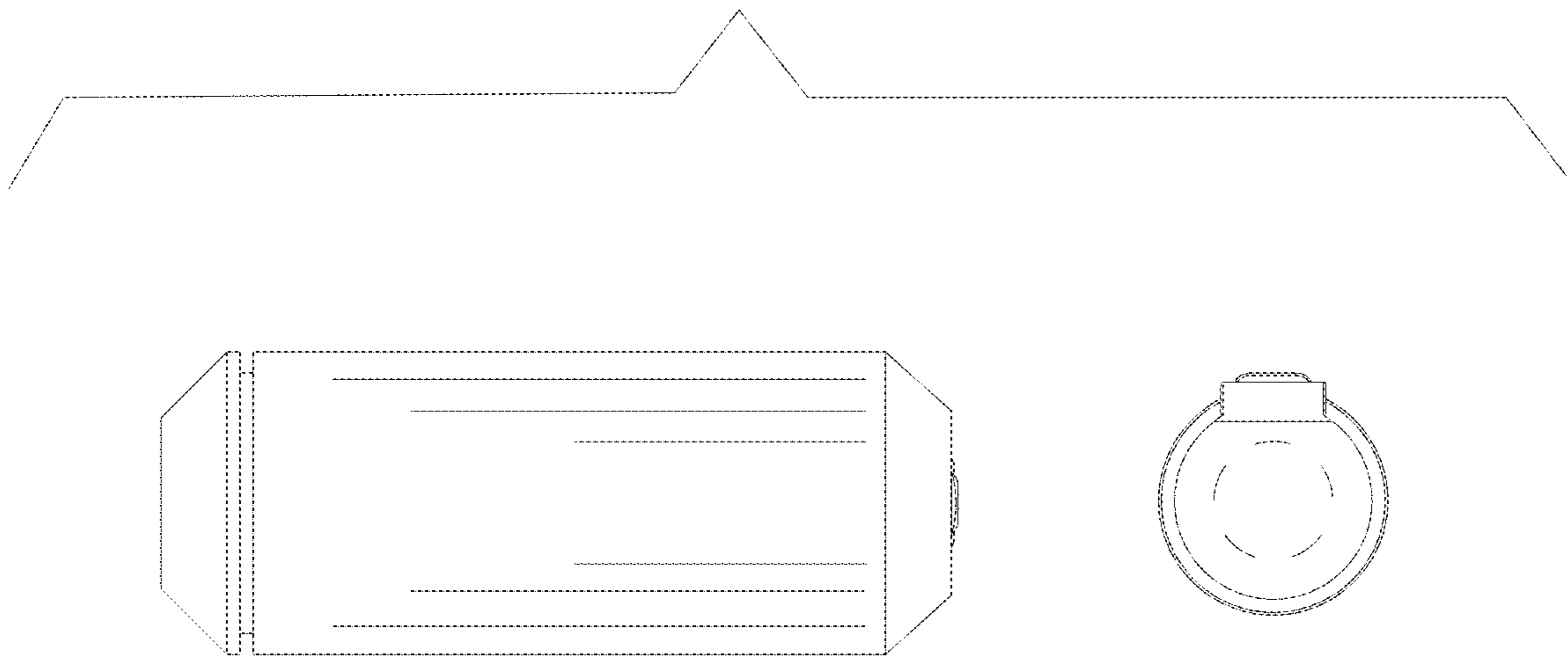


FIG. 7

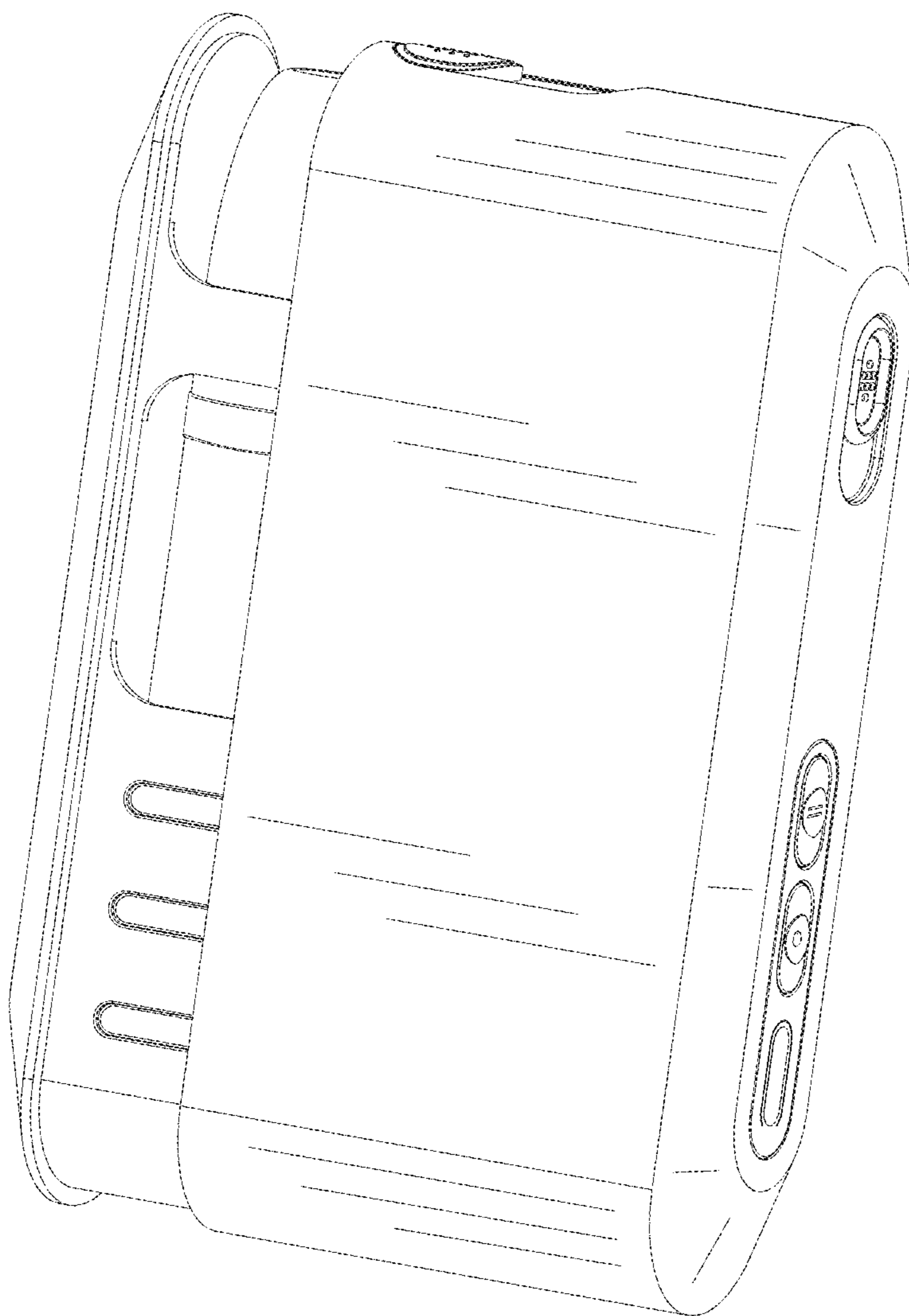


FIG. 8

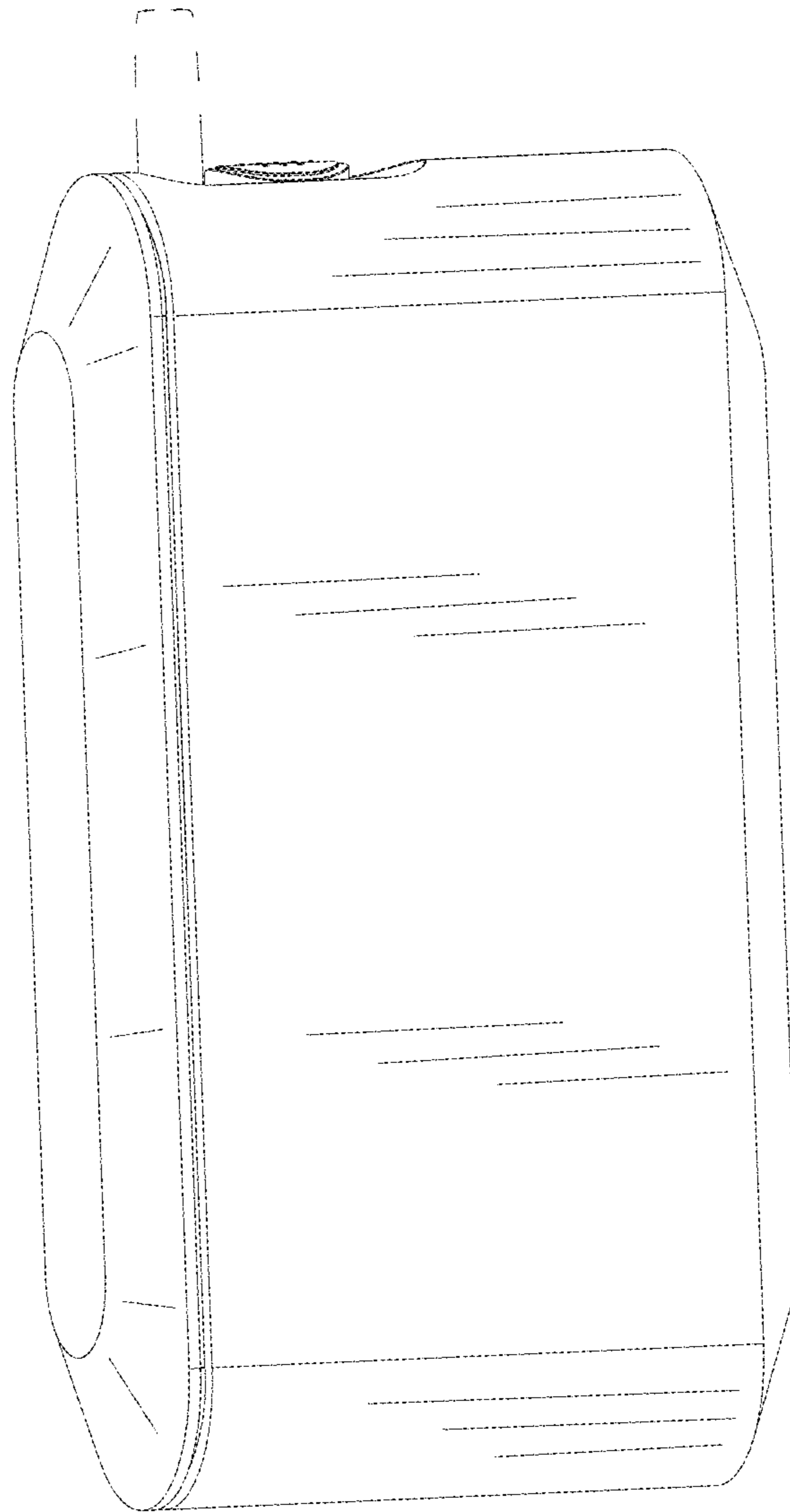


FIG. 9