



US00D926354S

(12) **United States Design Patent** (10) **Patent No.:** **US D926,354 S**
Hsu (45) **Date of Patent:** **** Jul. 27, 2021**

- (54) **RECESSED LIGHT**
- (71) Applicant: **Dong Guan Jia Sheng Lighting Technology Co., Ltd. China, Dong-Guna (CN)**
- (72) Inventor: **Kevin Hsu, Taichung (TW)**
- (73) Assignee: **Dong Guan Jia Sheng Lighting Technology Co., Ltd. China, Guang-Dong (CN)**
- (**) Term: **15 Years**
- (21) Appl. No.: **29/719,048**
- (22) Filed: **Dec. 31, 2019**
- (51) **LOC (13) Cl.** **26-05**
- (52) **U.S. Cl.**
USPC **D26/138**
- (58) **Field of Classification Search**
USPC D26/76, 78, 79, 80, 81, 82, 83, 85, 86, D26/88, 90, 113, 118, 119, 120, 121, 122, D26/138, 139, 140, 141, 142
CPC F21S 2/00; F21S 4/00; F21S 4/003; F21S 4/005; F21S 4/006; F21S 4/007; F21S 4/008; F21S 6/00; F21S 8/00; F21S 8/024; F21S 8/026; F21S 8/031; F21S 8/033; F21S 8/035-037; F21S 8/04; F21S 8/043; F21S 8/063
See application file for complete search history.

- (56) **References Cited**
U.S. PATENT DOCUMENTS
D247,562 S * 3/1978 Walker D14/209
5,741,061 A * 4/1998 Lehmann A01G 9/02
362/154
D399,590 S * 10/1998 Lecluze D26/118
D473,966 S * 4/2003 Lecluze D26/74
D476,108 S * 6/2003 Lecluze D26/74

D658,327 S *	4/2012	Meise	D26/74
D681,863 S *	5/2013	Chen	D26/74
D698,068 S *	1/2014	Rashidi	D26/74
D708,381 S *	7/2014	Rashidi	D26/74
D762,906 S *	8/2016	Jeswani	D26/74
D769,501 S *	10/2016	Jeswani	D26/74
D769,504 S *	10/2016	Jeswani	D26/74
D772,466 S *	11/2016	Zhang	D26/74
D777,966 S *	1/2017	Jeswani	D26/74
D824,074 S *	7/2018	Vidal	D26/74
D840,084 S *	2/2019	Crosby	D26/74
D887,063 S *	6/2020	Speier	D26/74
D892,374 S *	8/2020	Hsu	D26/51
2016/0341376 A1 *	11/2016	Feit	F21K 9/237
2020/0359478 A1 *	11/2020	Hou	H05B 45/30
2020/0370740 A1 *	11/2020	Dong	F21V 23/06
2021/0062987 A1 *	3/2021	Hou	F21V 19/004

* cited by examiner

Primary Examiner — Michael C Stout
Assistant Examiner — Benjamin M Weeks
(74) *Attorney, Agent, or Firm* — Alan D. Kamrath; Karin L. Williams; Mayer & Williams PC

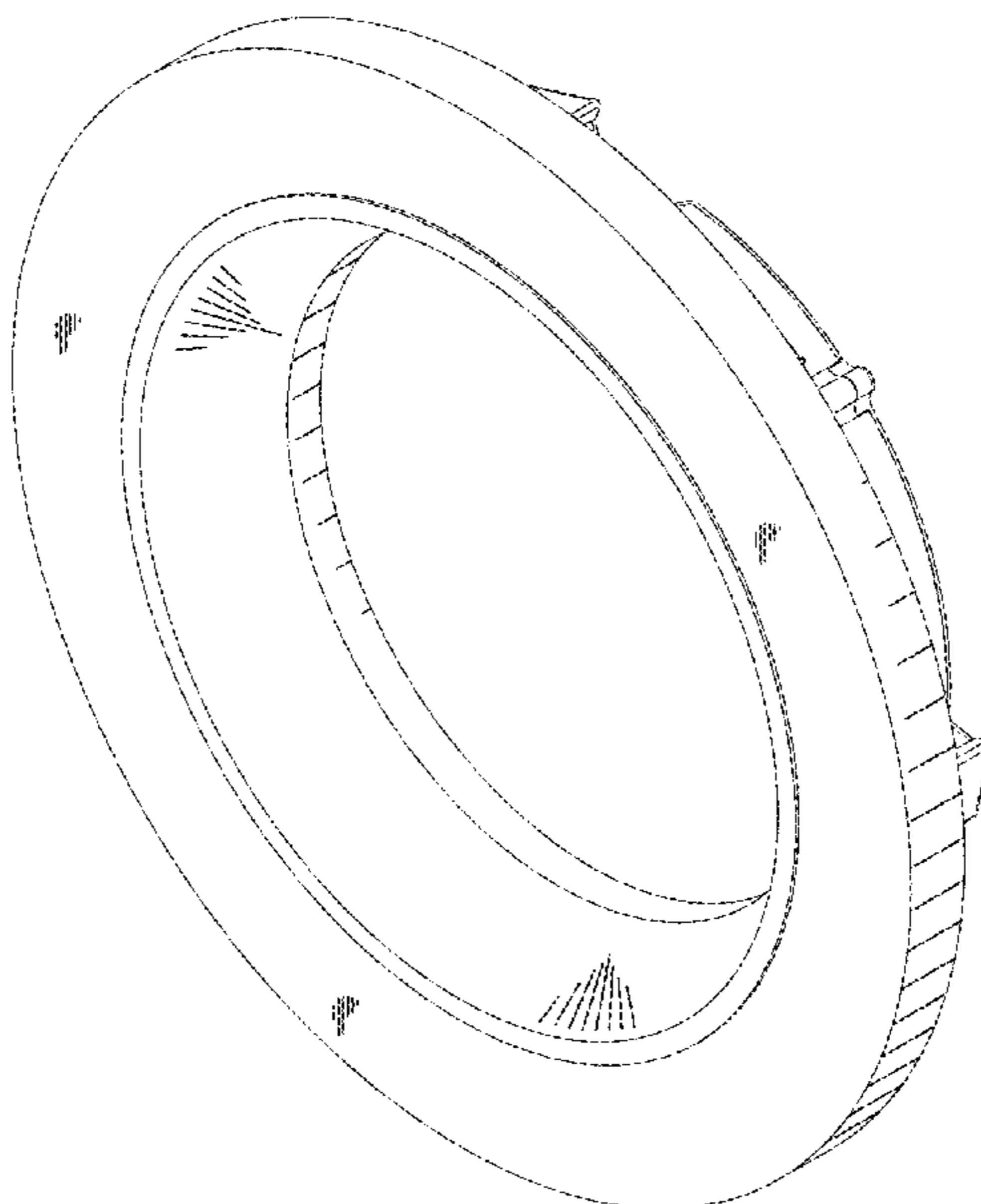
(57) **CLAIM**

The ornamental design for a recessed light, as shown and described.

DESCRIPTION

FIG. 1 is a perspective view of a recessed light showing my design.
FIG. 2 is a front elevational view thereof.
FIG. 3 is a rear elevational view thereof.
FIG. 4 is a left side elevational view thereof.
FIG. 5 is a right side elevational view thereof.
FIG. 6 is a top plan view thereof.
FIG. 7 is a bottom plan view thereof; and,
FIG. 8 is another perspective view of the recessed light showing my design.

1 Claim, 6 Drawing Sheets



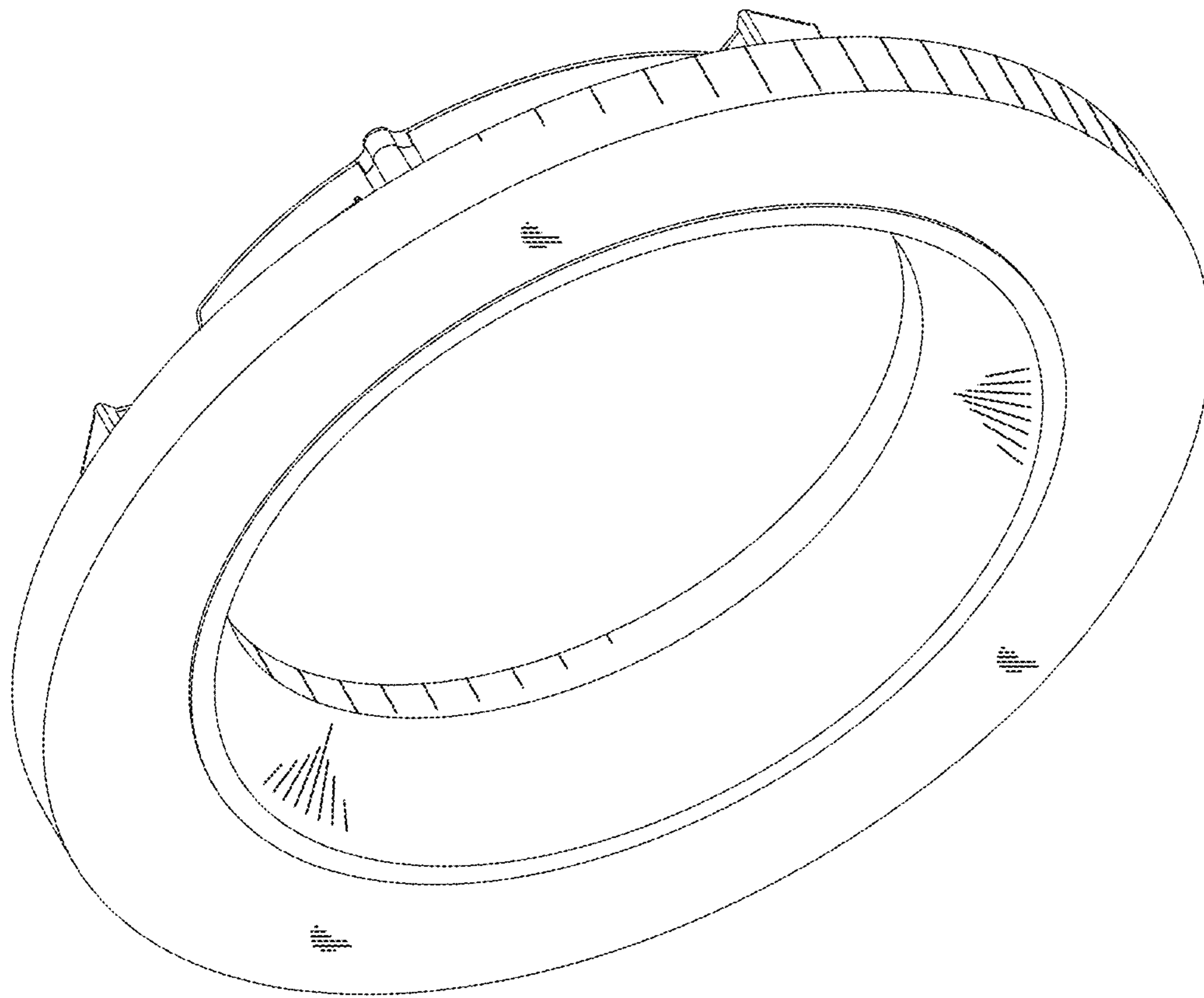


FIG.1

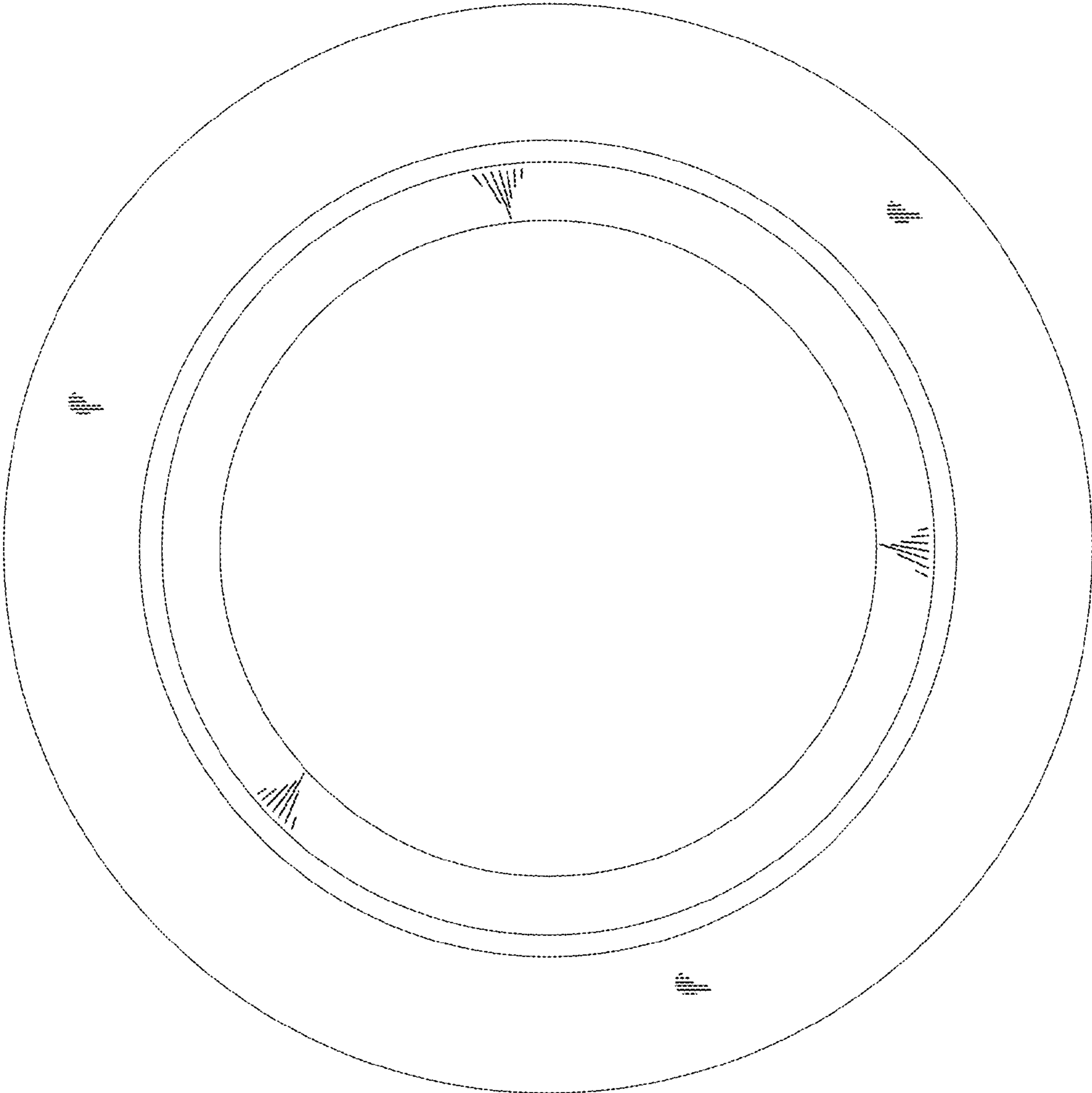


FIG.2

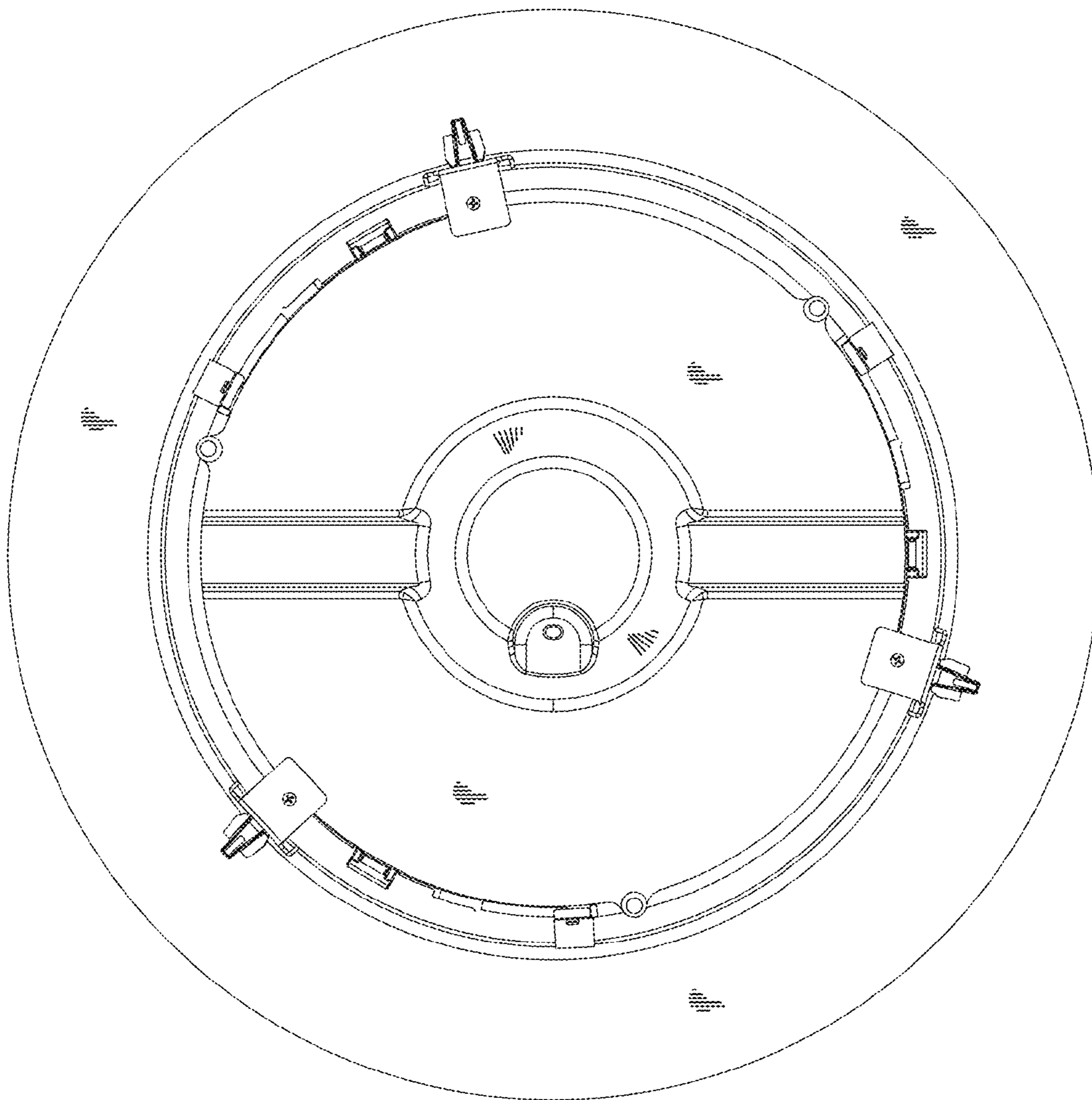


FIG.3

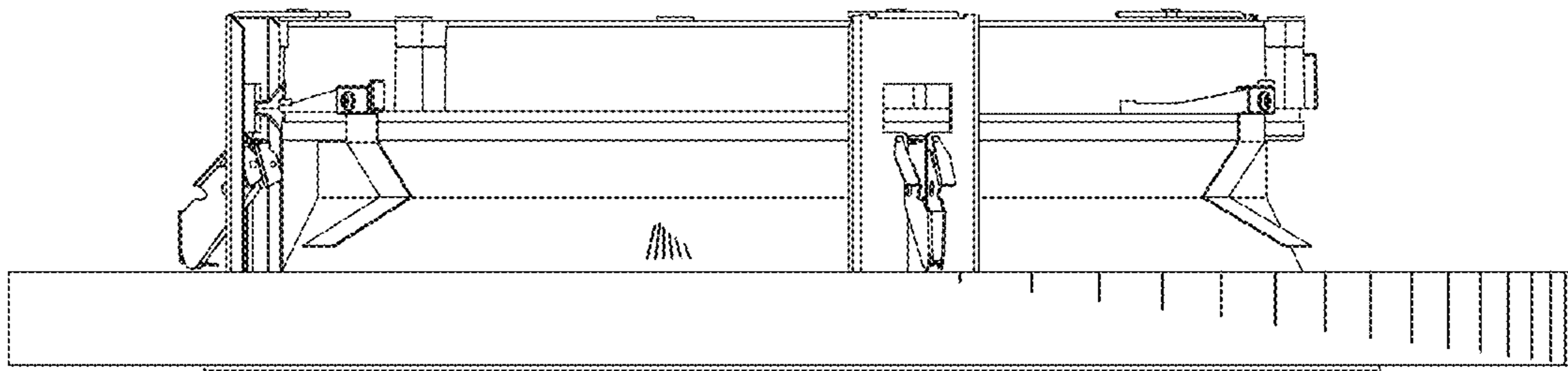


FIG. 5

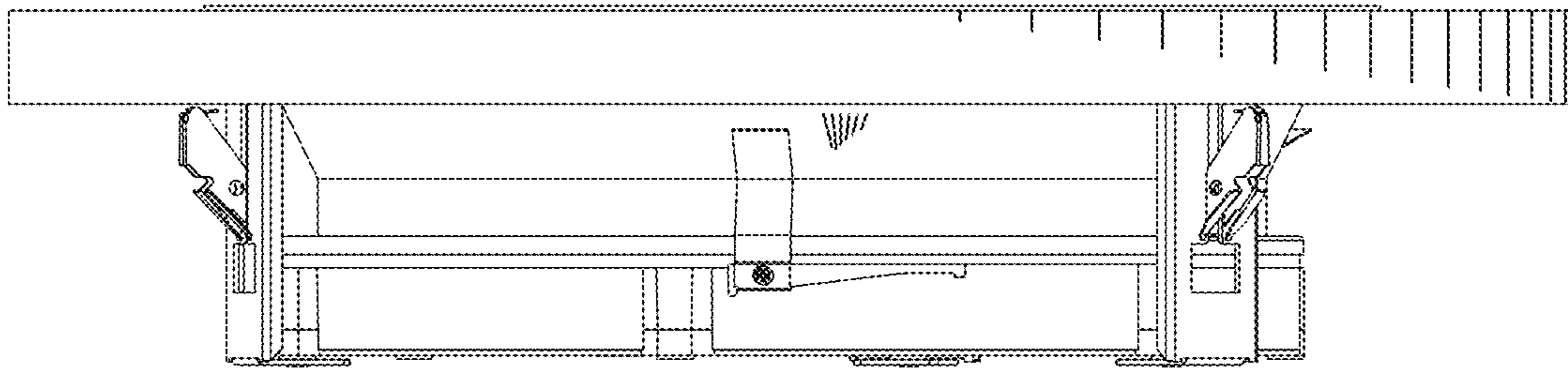


FIG. 4

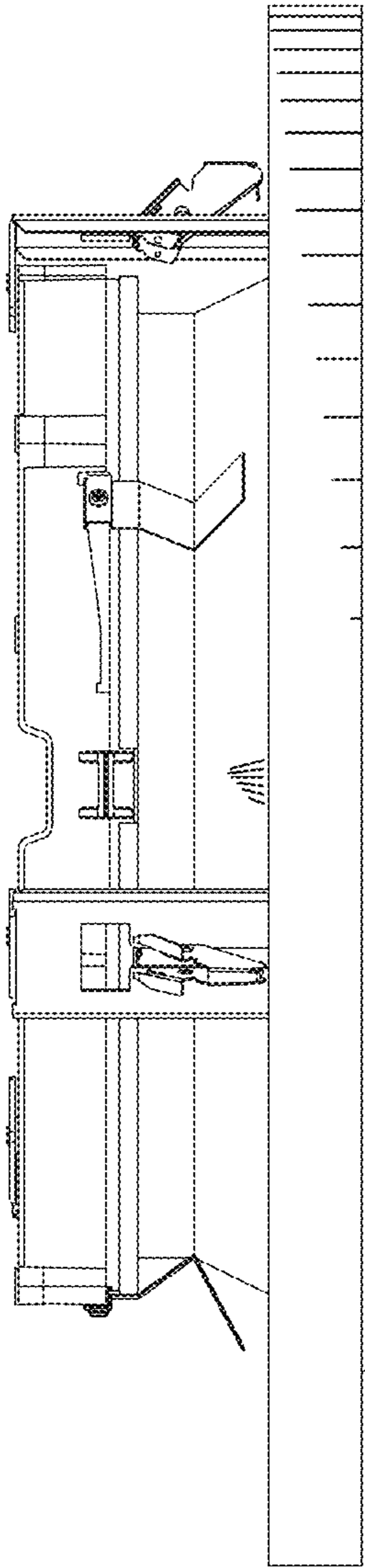


FIG. 6

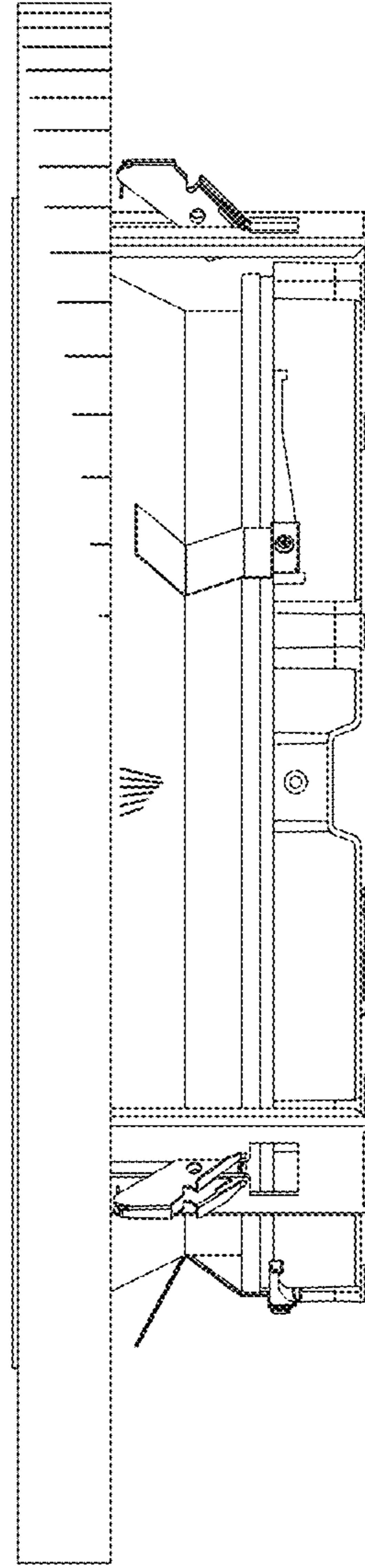


FIG. 7

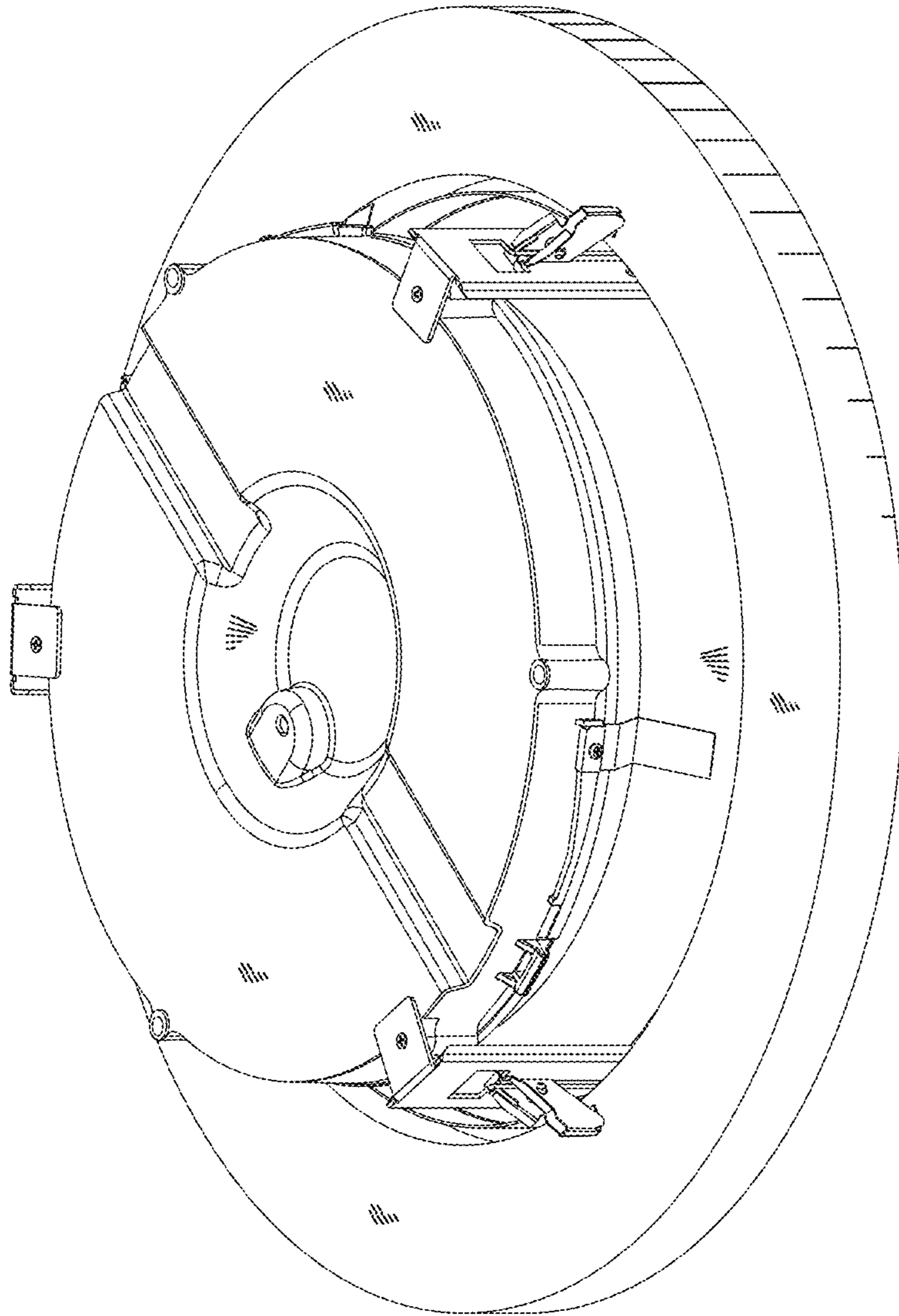


FIG. 8