



US00D926353S

(12) **United States Design Patent** (10) **Patent No.:** **US D926,353 S**
Sherman et al. (45) **Date of Patent:** **** Jul. 27, 2021**

(54) **POLE FOR STRING LIGHTS**
(71) Applicant: **Comet Creations Inc.**, Walpole, MA (US)
(72) Inventors: **Lucy Sherman**, Elsternwick (AU); **Sarah Walker**, East Malvern (AU)
(73) Assignee: **Comet Creations Inc.**, Walpole, MA (US)

D393,098 S * 3/1998 Adams D26/138
D436,218 S * 1/2001 Gary D26/138
D469,566 S * 1/2003 Gary F21V 21/0824
D26/138
D470,972 S * 2/2003 Scantlin D26/138
D577,966 S * 10/2008 Cosimo D8/1
D700,673 S * 3/2014 Ochagavia Torino D21/840
D799,106 S * 10/2017 Adams, IV D26/138
D815,337 S * 4/2018 Mirchandani D26/138
D816,263 S * 4/2018 Chang D26/138
D908,274 S * 1/2021 Wang D26/138

(**) Term: **15 Years**
(21) Appl. No.: **29/703,390**
(22) Filed: **Aug. 27, 2019**
(51) **LOC (13) Cl.** **26-05**
(52) **U.S. Cl.**
USPC **D26/138**
(58) **Field of Classification Search**
USPC D26/76, 78, 79, 80, 81, 82, 83, 85, 86,
D26/88, 90, 113, 118, 119, 120, 121, 122,
D26/138, 139, 140, 141, 142
CPC F21S 2/00; F21S 4/00; F21S 4/003; F21S
4/005; F21S 4/006; F21S 4/007; F21S
4/008; F21S 6/00; F21S 8/00; F21S
8/024; F21S 8/026; F21S 8/031; F21S
8/033; F21S 8/035-037; F21S 8/04; F21S
8/043; F21S 8/063
See application file for complete search history.

OTHER PUBLICATIONS

Sherman et al., Design U.S. Appl. No. 29/734,998, filed May 18, 2020, entitled "Pole for String Lights".

* cited by examiner

Primary Examiner — Mark A Goodwin
Assistant Examiner — Benjamin M Weeks
(74) *Attorney, Agent, or Firm* — Zeller IP Group, PLLC;
Kyle M. Zeller

(57) **CLAIM**

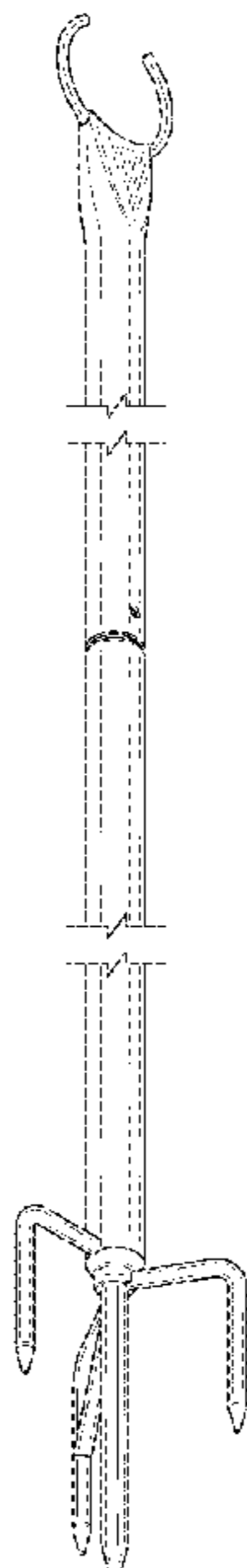
The ornamental design for a pole for string lights, as shown and described.

DESCRIPTION

FIG. 1 is a perspective view of a pole for string lights showing our new design;
FIG. 2 is a bottom view thereof;
FIG. 3 is a top view thereof;
FIG. 4 is a front view thereof;
FIG. 5 is a rear view thereof;
FIG. 6 is a left side view thereof; and,
FIG. 7 is a right side view thereof.
The double S shaped line breaks are indicative of indeterminate length and form no part of the claimed design.

1 Claim, 7 Drawing Sheets

(56) **References Cited**
U.S. PATENT DOCUMENTS
D305,071 S * 12/1989 Tripp D26/138
D323,408 S * 1/1992 Butler D26/138
D346,240 S * 4/1994 Dickens, Sr. D26/138
D377,844 S * 2/1997 Gary D21/840
D378,439 S * 3/1997 Gary D21/840
D379,416 S * 5/1997 Adams D21/840



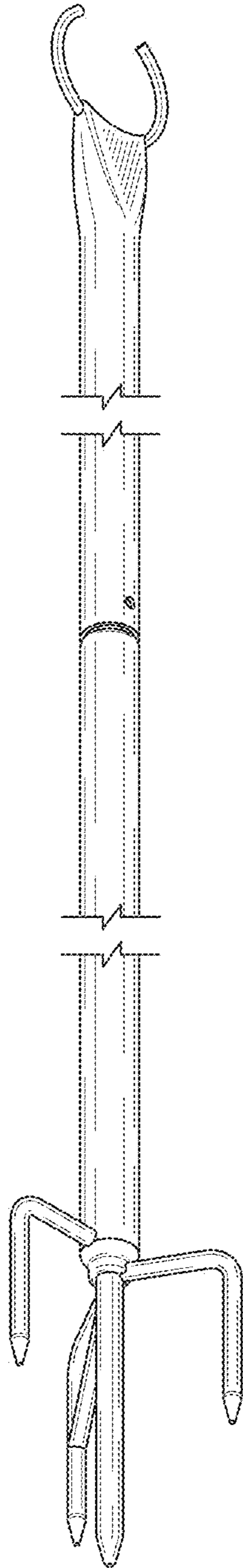


FIG. 1

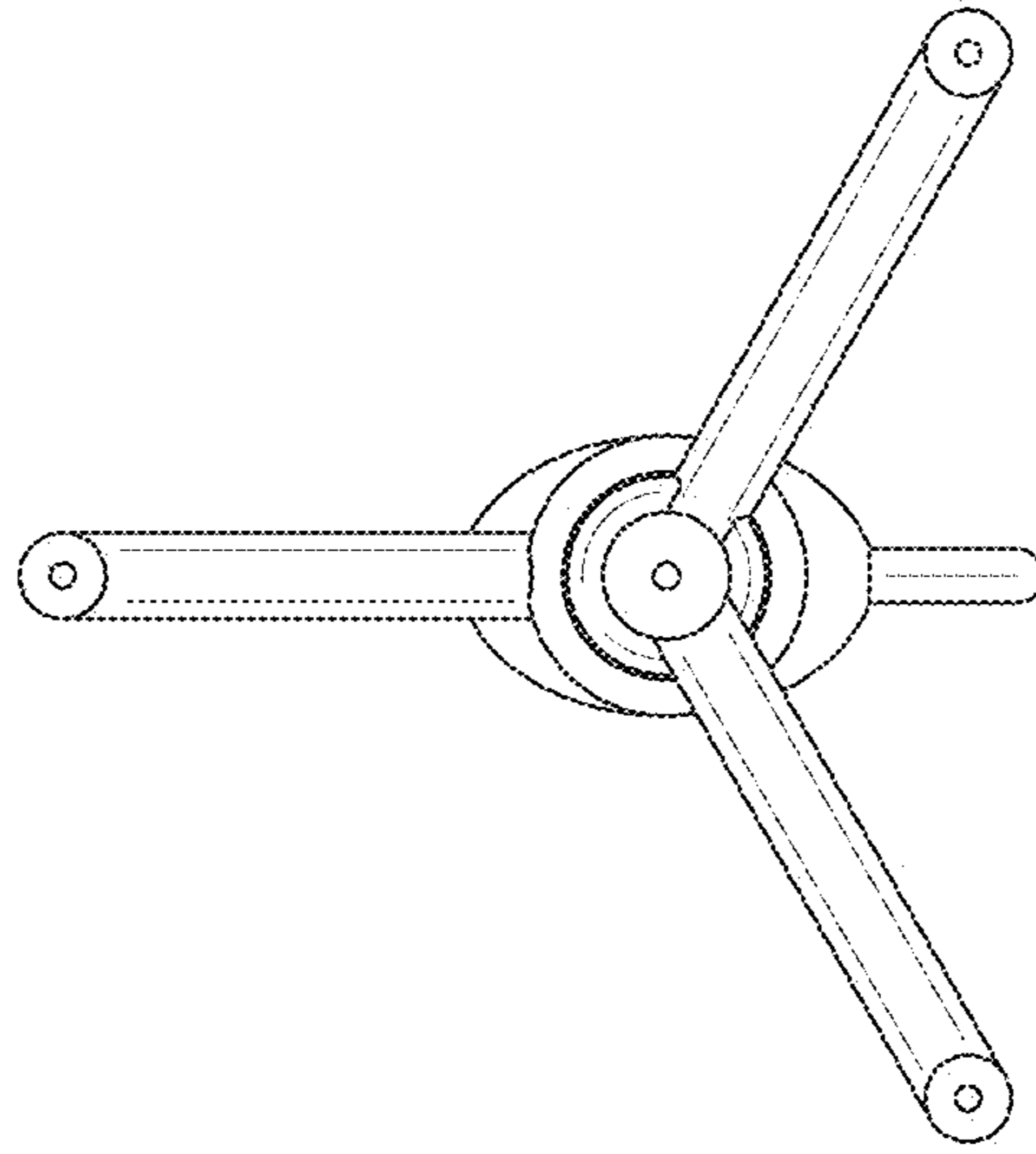


FIG. 2

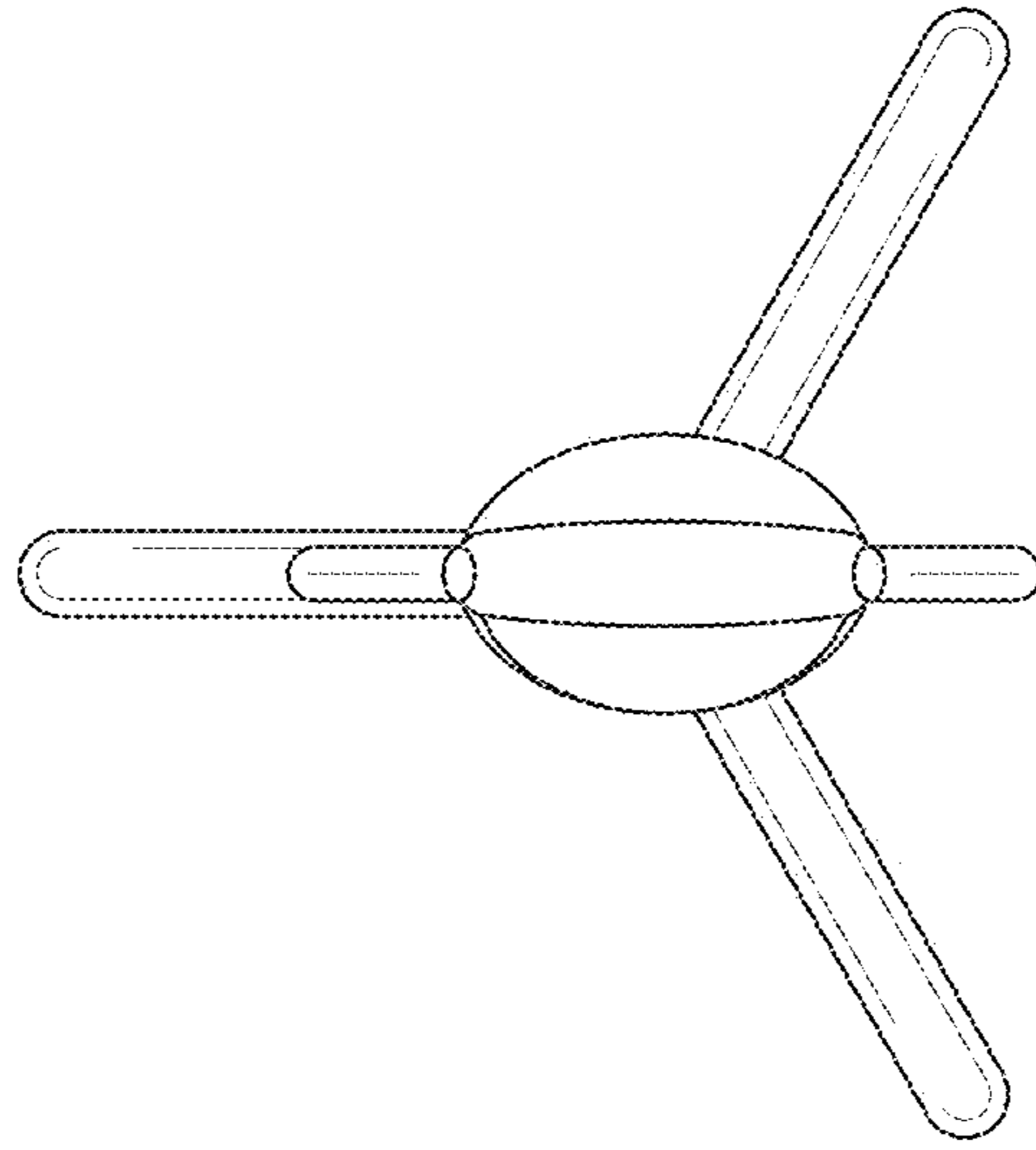


FIG. 3

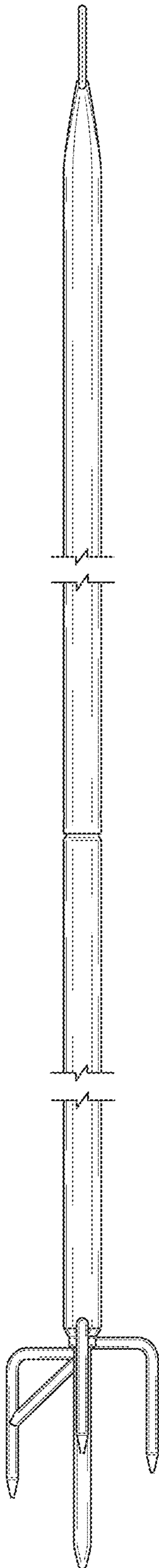


FIG. 4

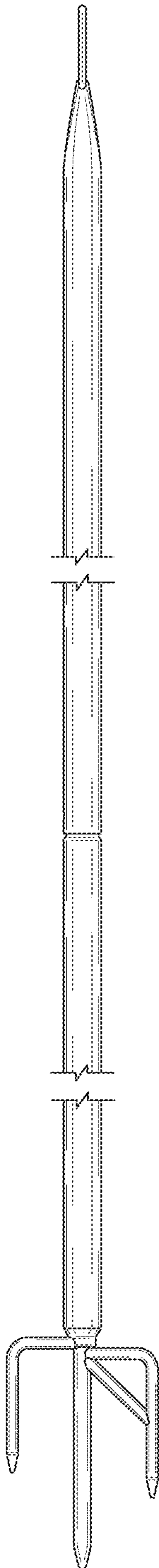


FIG. 5

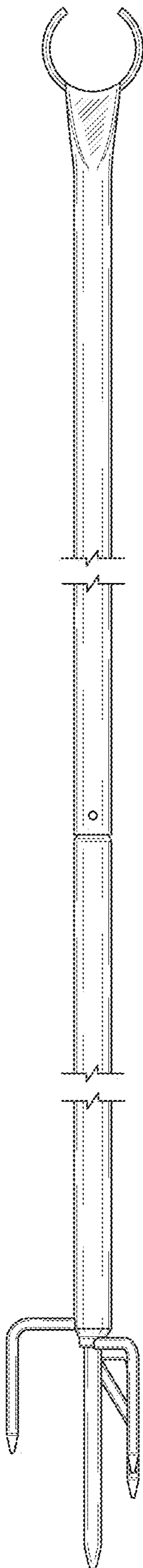


FIG. 6

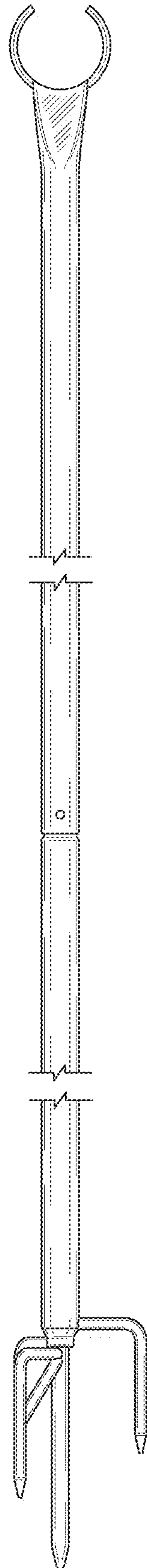


FIG. 7